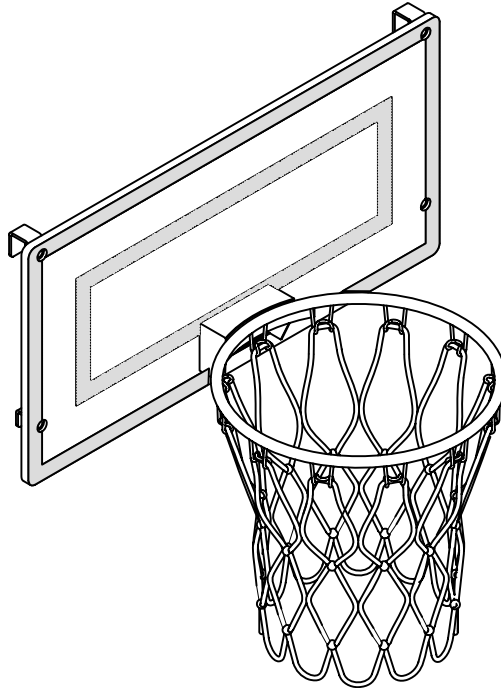




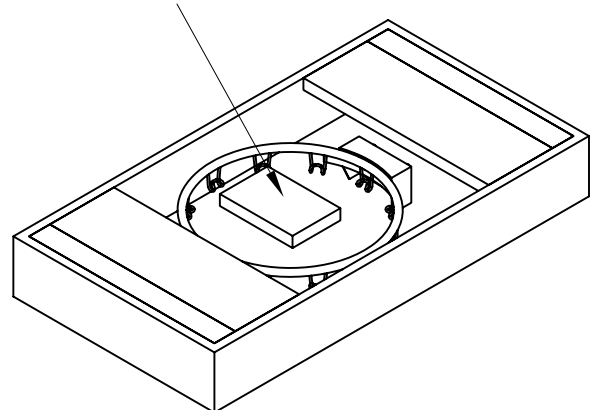
ROOMS TO GO
KIDS
 Manufactured for Rooms To Go Kids

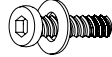

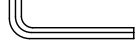
BUILD-A-BUNK
 60-015K-B / 60-015K-G
BASKETBALL HOOP-ACRYLIC BOARD



SKU# 37021184 (BLUE) / 37521184 (GRAY)			
NO.	ITEM DESCRIPTION	IMAGE	QTY
1	ACRYLIC BOARD		1
2	BASKETBALL HOOP WITH NET		1

Hardware Pack Location



HARDWARE LIST			
NO.	ITEM DESCRIPTION	IMAGE	QTY
A	1/4"x20x3/4"		2PCS
B	1/4"x20x5/16"		1PC
C	4x4mm Allen Wrench		2PCS

DO NOT USE SUBSTITUTE PARTS. PLEASE CONTACT YOUR RETAIL STORE OR WWW.ROOMSTOGO.COM WITH SERVICE OR PARTS REPLACEMENT REQUEST

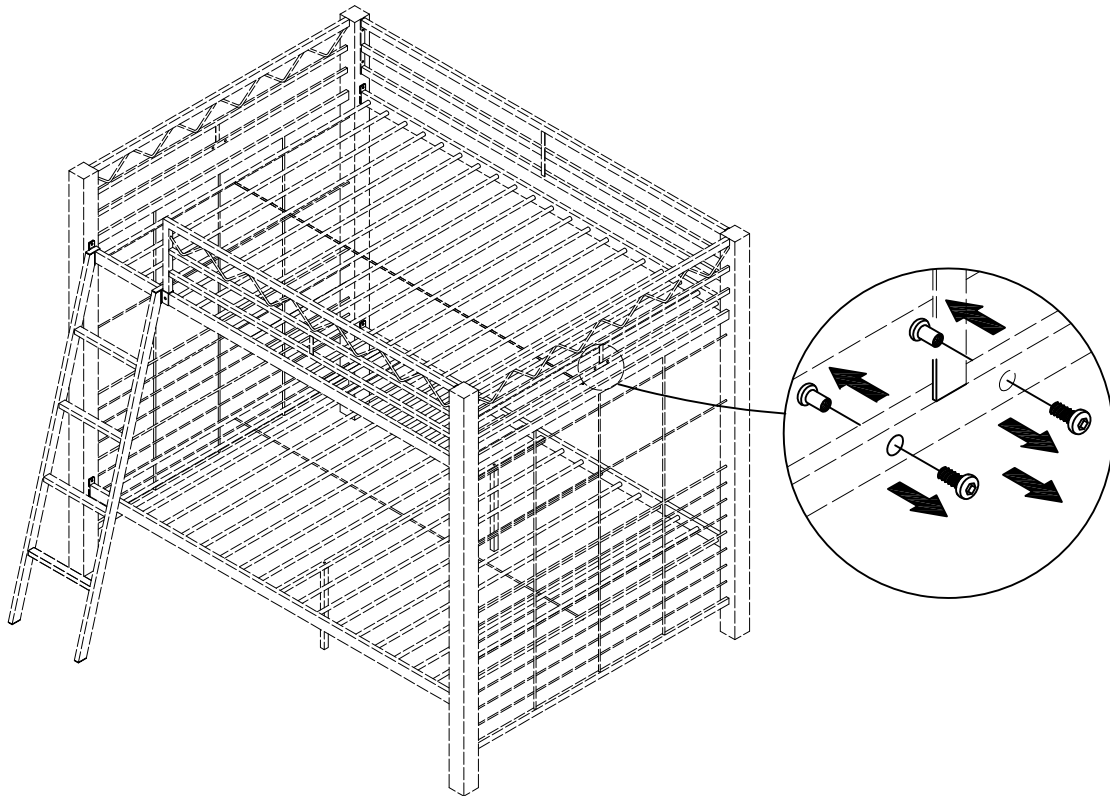
ROOMS TO GO KIDS

Manufactured for Rooms To Go Kids

Thank you for purchasing this quality product. Be sure to check all packing material carefully for small parts which may have come loose inside the carton during shipment. Identify and count all parts and compare with the parts list. Read all instructions before assembling furniture and keep these instructions for future reference.

Assembly Instructions:

STEP 1:

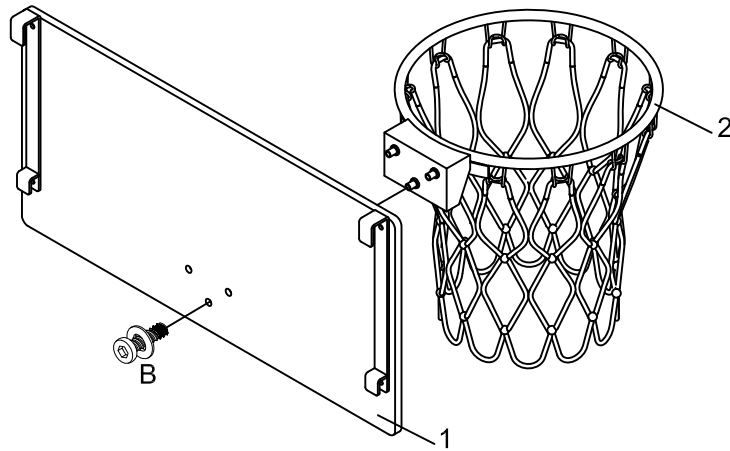


- 1, PLEASE REMOVE THESE PRE-INSTALLED HARDWARE.
- 2, KEEP THESE HARDWARE FOR FUTURE USE.
- 3, BE SURE TO PUT BACK THESE HARDWARE IF REMOVE THE BASKETBALL HOOP.

DO NOT USE SUBSTITUTE PARTS. PLEASE CONTACT YOUR RETAIL STORE OR WWW.ROOMSTOGO.COM WITH SERVICE OR PARTS REPLACEMENT REQUEST

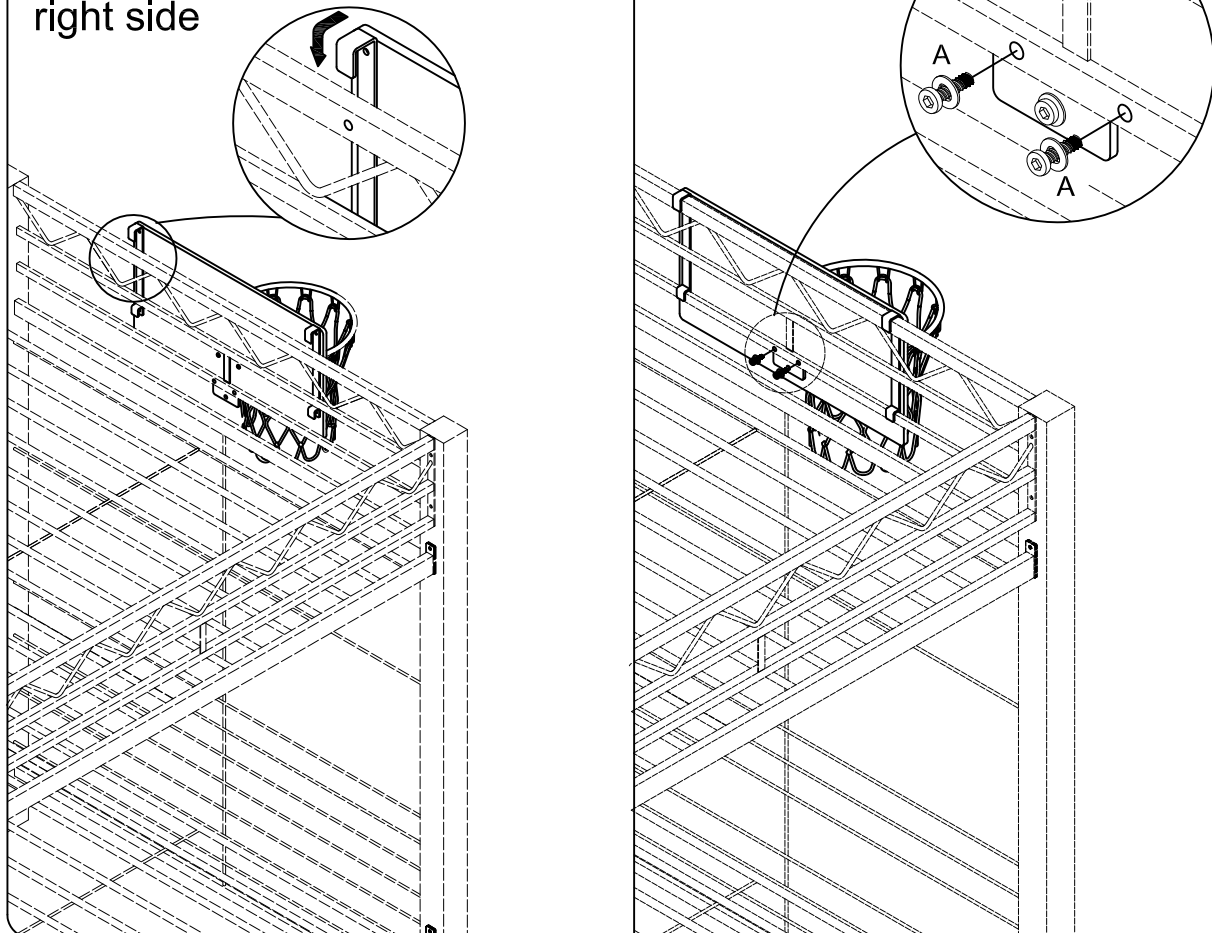
Assembly Instructions:

STEP2:



STEP3:

The basketball hoop can be assembled both left and right side



DO NOT USE SUBSTITUTE PARTS. PLEASE CONTACT YOUR RETAIL STORE OR WWW.ROOMSTOGO.COM WITH SERVICE OR PARTS REPLACEMENT REQUEST