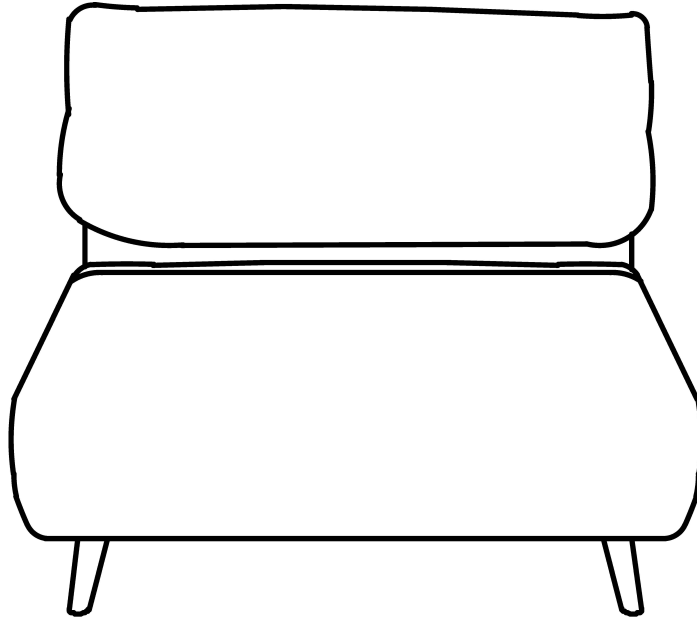
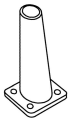




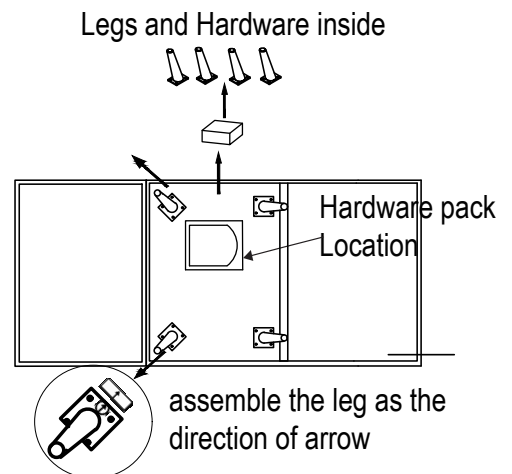
DAYDREAM

KLIK KLAK



| RTG SKU# | STYLE# | FINISH | ITEM DESCRIPTION |
|----------|---------------------------|--------|------------------|
| 37079298 | DY-LAH-279N27-P100-PURPLE | PURPLE | KLIK KLAK |
| 37079301 | DY-LAH-279N27-P100-PINK | PINK | KLIK KLAK |
| 37079313 | DY-LAH-279N27-P100-BLUE | BLUE | KLIK KLAK |

| HARDWARE LIST | | | | |
|---------------|---|-------------------------|-------|-----|
| A |  | WOOD LEG | 4 PCS | Box |
| B |  | ALLEN WRENCH | 1 PC | Box |
| C |  | ROUND HEAD BOLT M6*3/4" | 16PCS | Box |



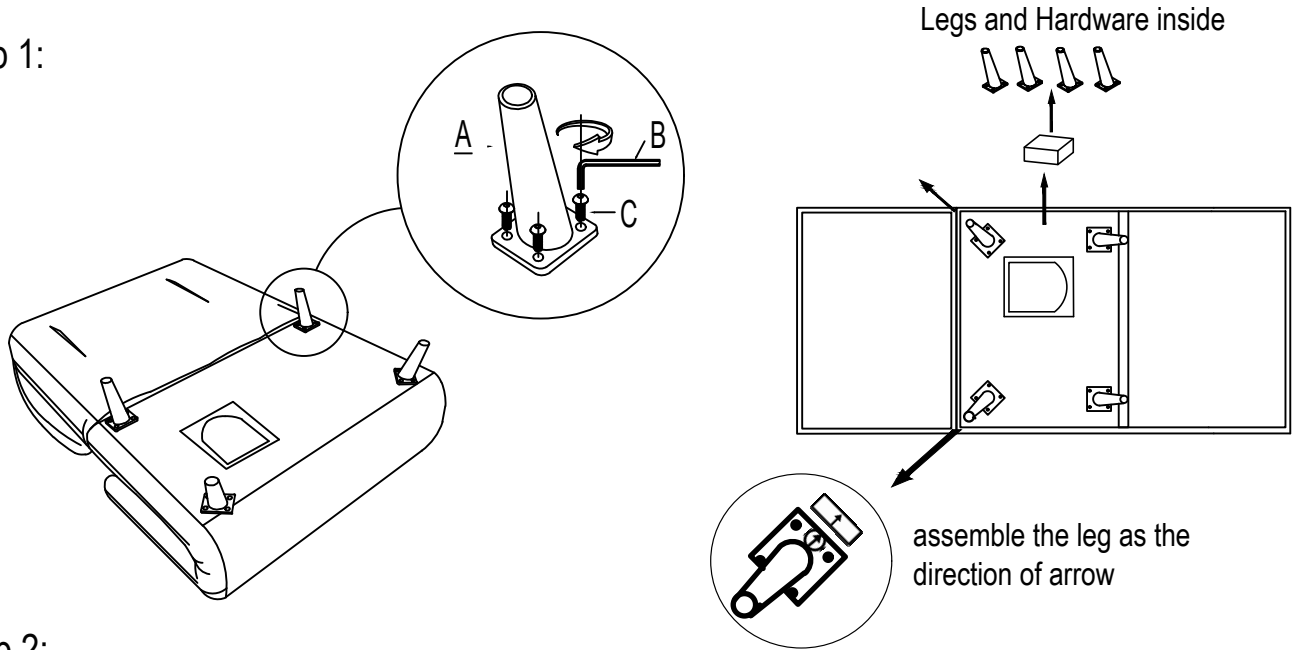
DO NOT USE SUBSTITUTE PARTS. PLEASE CONTACT YOUR RETAIL STORE OR WWW.ROOMSTOGO.COM WITH SERVICE OR PARTS REPLACEMENT REQUEST

This product is manufactured by (TEAE) for **ROOMS TO GO** | **KIDS**

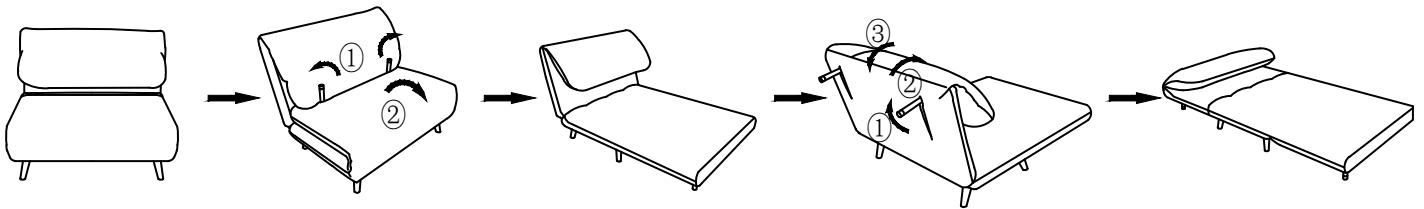
Thank you for purchasing this quality product. Be sure to check all packing material carefully for small parts that may have come loose inside the carton during shipment. Identify and count all parts and compare with the hardware list below.

Assembly Instructions

Step 1:

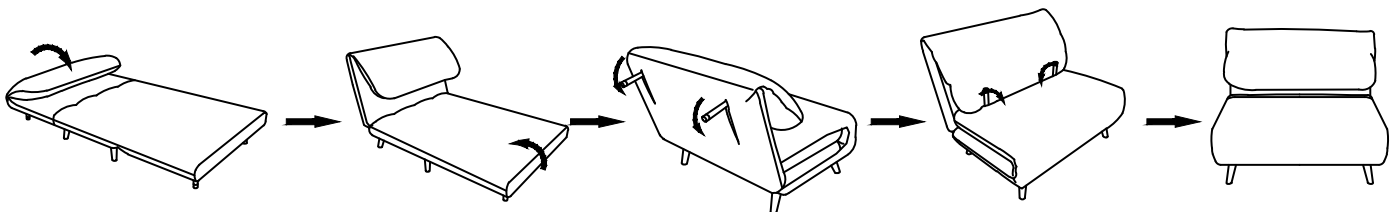


Step 2:



There are 2 metal legs inside the pouch on both ends.

Step 3:



There is an adjustable mechanism frame inside the sleeper back, please push the back forward before adjusting to next position.

DO NOT USE SUBSTITUTE PARTS. PLEASE CONTACT YOUR RETAIL STORE OR WWW.ROOMSTOGO.COM WITH SERVICE OR PARTS REPLACEMENT REQUEST

This product is manufactured by (TEAE) for ROOMS TO GO | KIDS