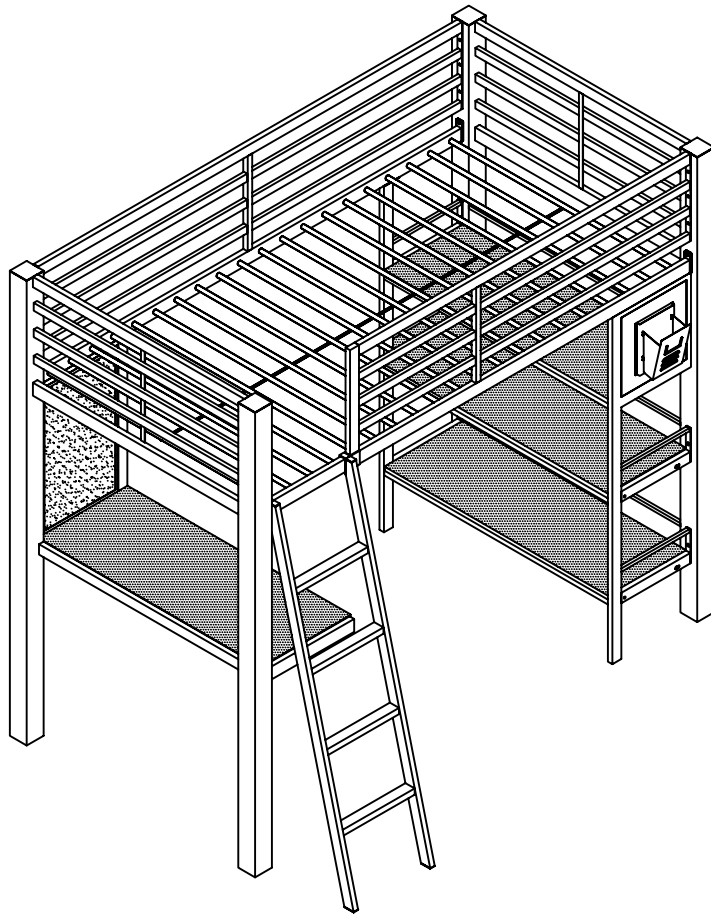


COLEFAX

Twin Loft Bunk Bed with Desk and Bookcase



Use only correct mattress dimensions:

Twin size mattress- 74" - 75" long and 37-1/2"-38-1/2" wide


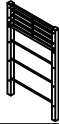

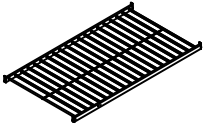
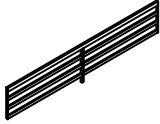
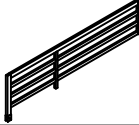
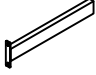




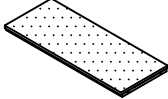
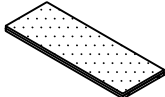
DO NOT USE SUBSTITUTE PARTS. PLEASE CONTACT YOUR RETAIL STORE OR WWW.ROOMSTOGO.COM
WITH SERVICE OR PARTS REPLACEMENT REQUEST

This product is manufactured by WRLW for **ROOMS TO GO** | **KIDS™**

Version 01-2022/12/07

PAGE 01 of 10

**3712704P GRAY / 3712705P WHITE
TWIN LOFT BUNK BED WITH DESK AND BOOKCASE**

SKU#	STYLE#	PART#	DESCRIPTION	IMAGE	QTY
36327078/ 36327066	31265WW1 /31265DG1	1	LEFT BED END		1
		2	RIGHT BED END		1
		3	MAGAZINE RACK		1
36427070/ 36427068	31265WW2 /31265DG2	4	UPPER FRAME		1
		5	BACK GUARDRAIL		1
		6	FRONT GUARDRAIL		1
		7	SUPPORT BRACKET		1
		8	LADDER		1
		9	CORK BOARD		1
36527072/ 36527060	31265WW3 /31265DG3	10	BACK FRAME		1
		11	FRONT FRAME		1
		12	DESK		1
		13	SHELF		3

DO NOT USE SUBSTITUTE PARTS. PLEASE CONTACT YOUR RETAIL STORE OR WWW.ROOMSTOGO.COM
WITH SERVICE OR PARTS REPLACEMENT REQUEST

This product is manufactured by WRLW for **ROOMS TO GO** | **KIDS™**

MATTRESS AND BUNKIE BOARD CHART

PACKAGE	DESCRIPTION	TOP BED	BOTTOM BED
3712704P(GRAY)	Twin Loft Bunk Bed with Desk and Bookcase	Twin Mattress Twin Bunkie board recommended	NA
3712705P(WHITE)	Twin Loft Bunk Bed with Desk and Bookcase	Twin Mattress Twin Bunkie board recommended	NA

Use only correct mattress dimensions:
 Twin size mattress- 74" - 75" long and 37-1/2"-38-1/2" wide
 Twin size Bunkie board-74" long and 37-1/2" wide

DO NOT USE SUBSTITUTE PARTS. PLEASE CONTACT YOUR RETAIL STORE OR WWW.ROOMSTOGO.COM
 WITH SERVICE OR PARTS REPLACEMENT REQUEST

This product is manufactured by WRLW for **ROOMS TO GO** | **KIDS**

Version 01-2022/12/07

PAGE 03 of 10



WARNING DANGER:

Failure to follow these warnings and assembly instructions could result in serious injury or death. To help prevent serious or fatal injuries from entrapment or falls:

- Read all instructions before assembling bunk bed and keep these instructions for future reference.
- Before each usage or assembly, inspect bunk bed for damaged hardware, loose joints, missing parts, or sharp edges. DO NOT use bunk bed if any parts are missing or broken.
- DO NOT use substitute parts. Contact your local Rooms To Go or visit www.ROOMSTOGO.com for replacement parts and instructional literature if needed.
- Follow the information on the warnings appearing on the upper bunk end structure and on the carton.
DO NOT REMOVE WARNING LABEL FROM BED.
- Always use the recommended size mattresses or mattress supports, or both, to help prevent the likelihood of entrapment or falls.
- Ensure thickness of mattress does not exceed 10" and mattress surface is at least 5 inches (127mm) below upper edge of guardrails for the upper bunk.
- Do not allow children under 6 years of age to use the upper bunk.
- Periodically check and ensure that the guardrail, ladder, and other components are in their proper position, free from damage, and that all connectors are tight.
- Do not allow horseplay on or under the bed and prohibit jumping on the bed.
- Limit top bunk use to one person.
- Always use the ladder for entering and leaving the upper bunk.
- Use of a night light may provide added safety precaution for a child using the upper bunk.
- Always use guardrails on both long sides of the upper bunk. If the bunk bed will be placed next to the wall, the guardrail that runs the full length of the bed should be placed against the wall to prevent entrapment between the bed and wall.
- The use of water or sleep flotation mattresses is prohibited.
- This bunk bed meets all the requirements of ASTM 1427.



STRANGULATION HAZARD:

Never attach or hang items to any part of the bunk bed that are not designed for use with the bed; for example, but not limited to, hooks, belts and jump ropes.

DO NOT USE SUBSTITUTE PARTS. PLEASE CONTACT YOUR RETAIL STORE OR WWW.ROOMSTOGO.COM
WITH SERVICE OR PARTS REPLACEMENT REQUEST

P r e - A s s e m b l y

Warning:

The bed slats included with this bed will support a mattress alone, this bed does not require Bunkie boards (sold separately) but they are recommended.

Read all the instructions, identify all components, choose your configuration, and be sure you have all parts prior to assembly.

Two people are needed to assemble.

Tools Needed

4mm allen wrench (included)

5mm allen wrench (included)

MAKE SURE ALL BOLTS ARE TIGHTENED COMPLETELY

CARE INSTRUCTIONS:

Dust with a clean, soft cloth. Avoid the use of all abrasive cleaners.

PLEASE CONTACT YOUR RETAIL STORE WITH SERVICE OR PARTS REPLACEMENT REQUEST

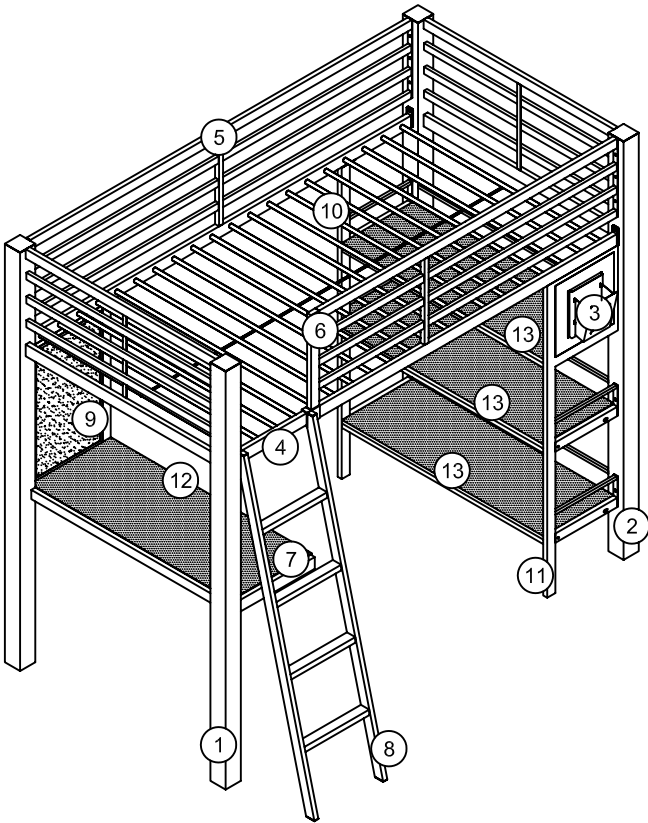
DO NOT USE SUBSTITUTE PARTS. PLEASE CONTACT YOUR RETAIL STORE OR WWW.ROOMSTOGO.COM
WITH SERVICE OR PARTS REPLACEMENT REQUEST

This product is manufactured by WRLW for **ROOMS TO GO** | **KIDS**

Version 01-2022/12/07

PAGE 05 of 10

Parts List

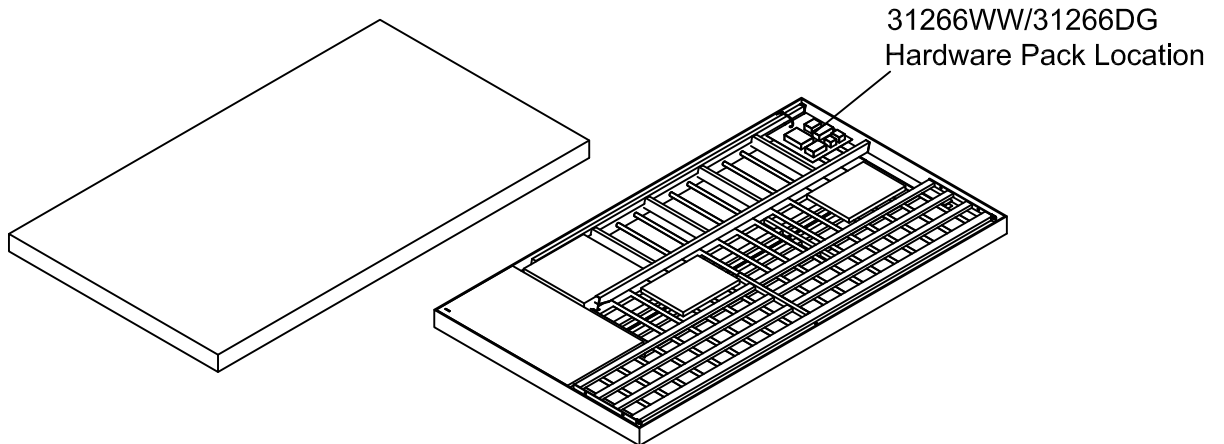


NO.	ITEM DESCRIPTION	IMAGE	QTY
A	5/16"x18x1-1/4"		2
B	1/4"x20x2-3/4"		2
C	1/4"x20x2-1/2"		2
D	1/4"x20x1-1/4"		3
E	1/4"x20x1"		10
F	1/4"x20x5/8"		20
G	4x4x60mm		2
H	5x5x60mm		1
J	1/4"x22mm		1

Hardware Pack Location:

Hardware Pack Location:

SKU#	STYLE#	DESCRIPTION
36427070	31265WW2	TWIN FRAME, GUARD RAILS, SUPPORT
36427068	31265DG2	TWIN FRAME, GUARD RAILS, SUPPORT



DO NOT USE SUBSTITUTE PARTS. PLEASE CONTACT YOUR RETAIL STORE OR WWW.ROOMSTOGO.COM WITH SERVICE OR PARTS REPLACEMENT REQUEST

This product is manufactured by WRLW for **ROOMS TO GO** | **KIDS™**

Version 01-2022/12/07

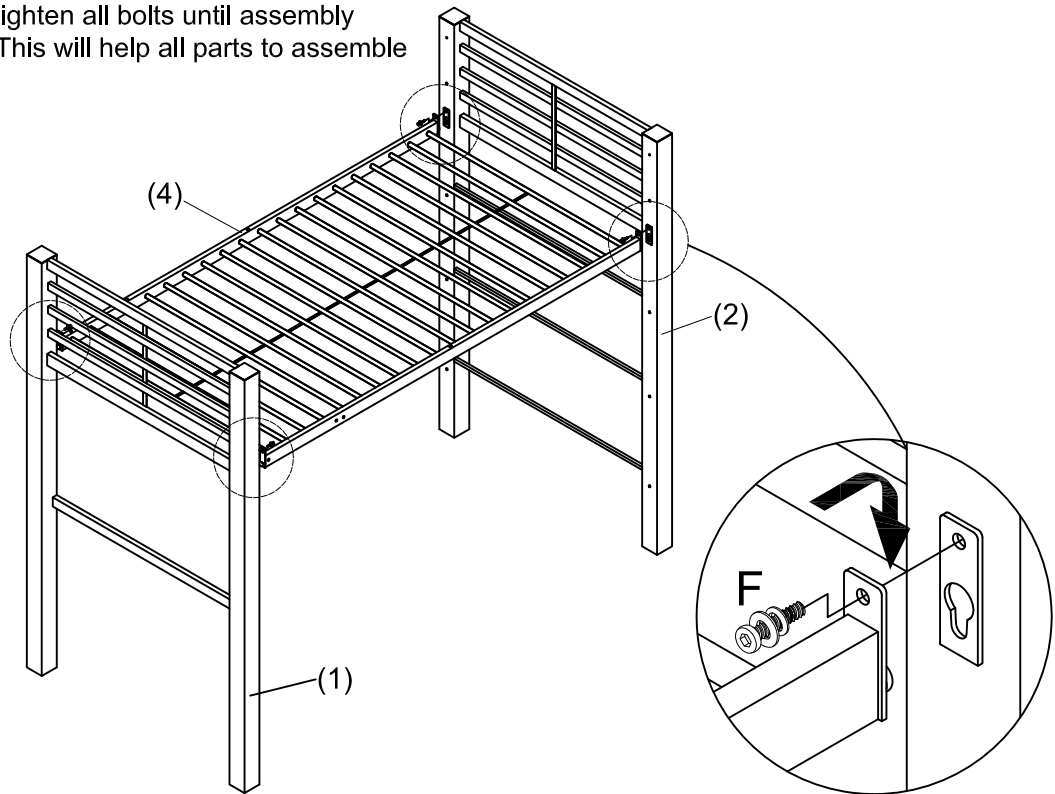
PAGE 06 of 10

Assembly Instructions:

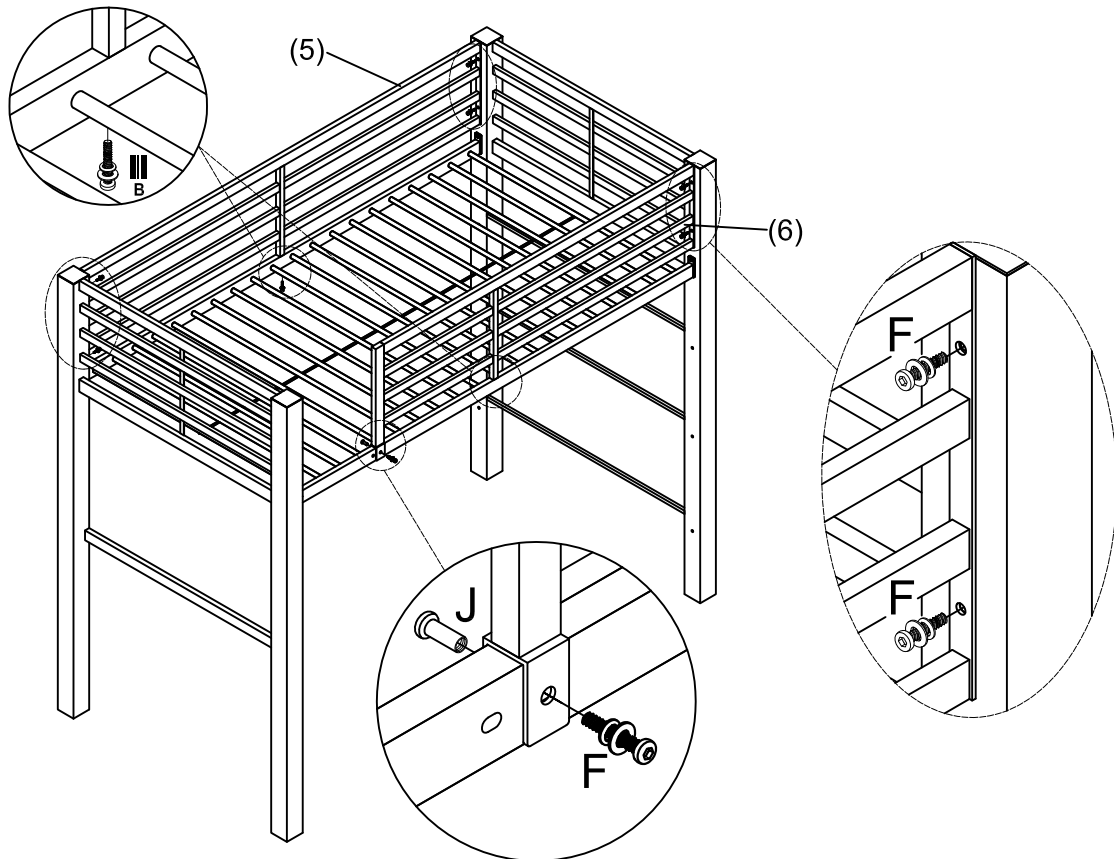
STEP1:

ASSEMBLY

Do not fully tighten all bolts until assembly is complete. This will help all parts to assemble properly.



STEP2:



DO NOT USE SUBSTITUTE PARTS. PLEASE CONTACT YOUR RETAIL STORE OR WWW.ROOMSTOGO.COM WITH SERVICE OR PARTS REPLACEMENT REQUEST

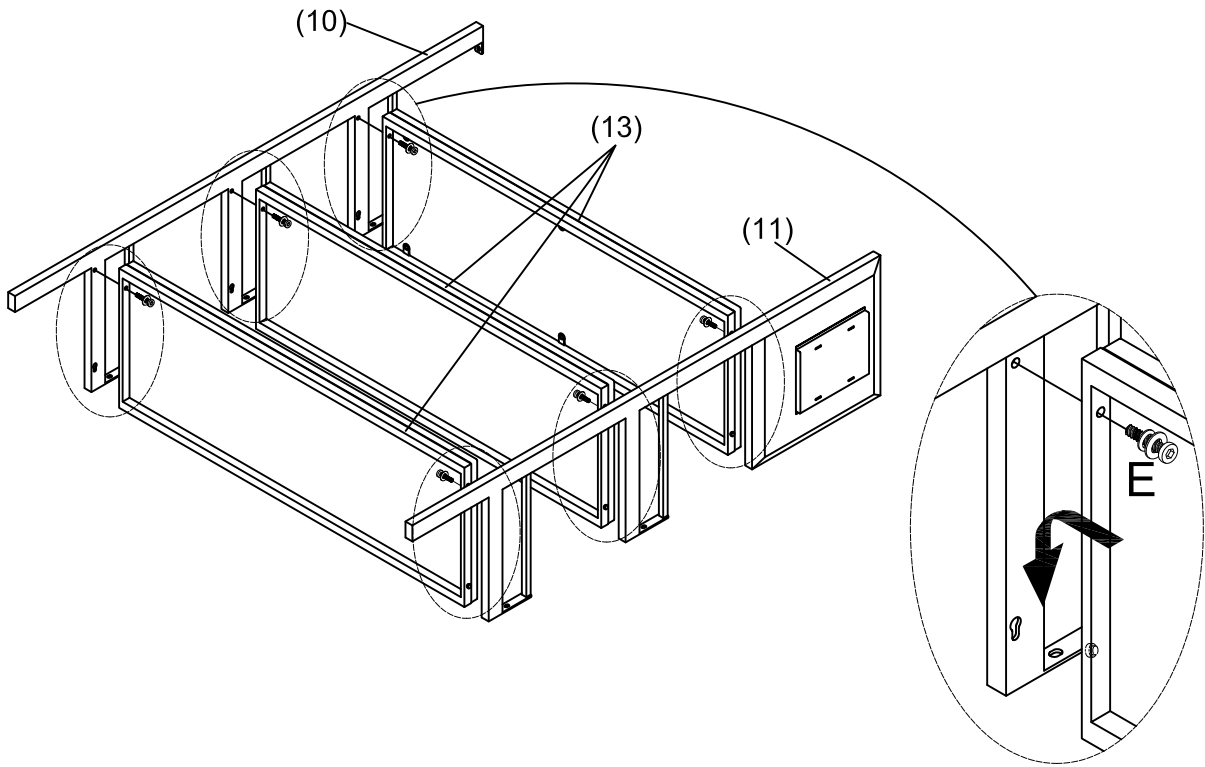
This product is manufactured by WRLW for ROOMS TO GO | KIDS™

Version 01-2022/12/07

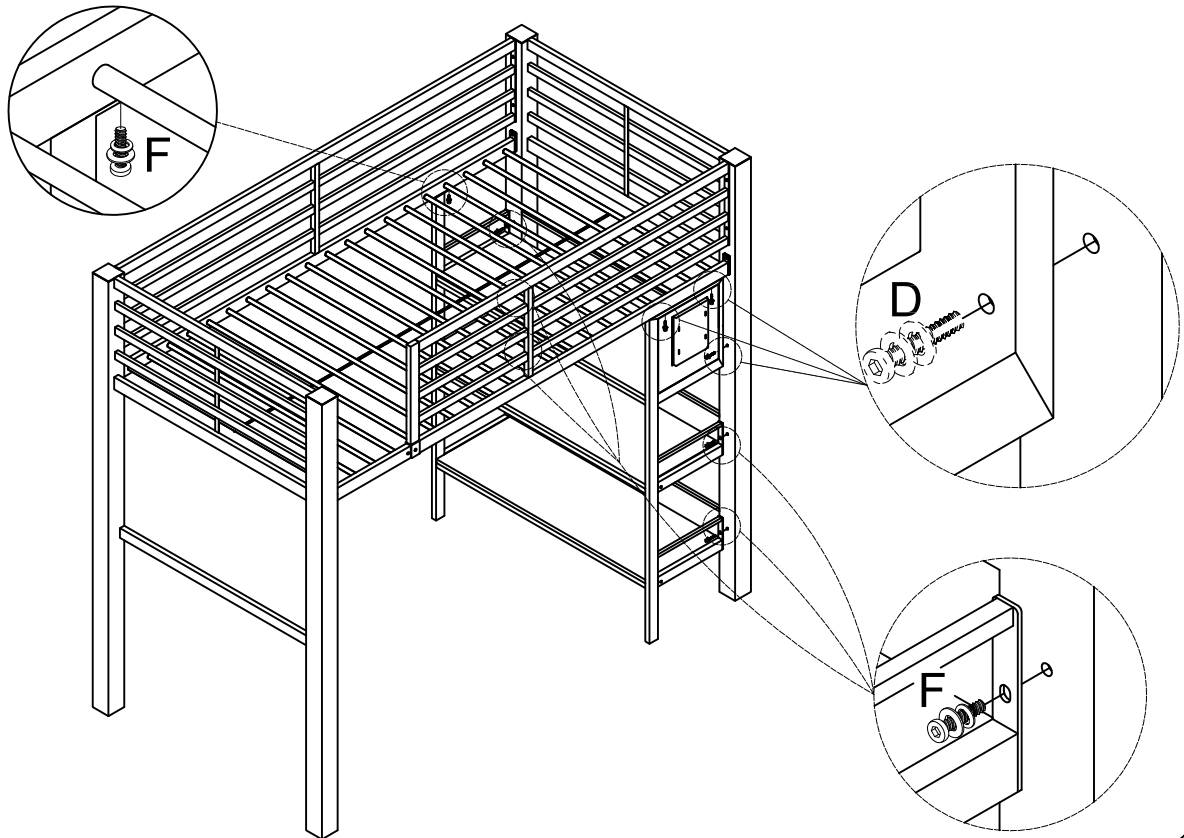
PAGE 07 of 10

Assembly Instructions:

STEP3:



STEP4:



DO NOT USE SUBSTITUTE PARTS. PLEASE CONTACT YOUR RETAIL STORE OR WWW.ROOMSTOGO.COM WITH SERVICE OR PARTS REPLACEMENT REQUEST

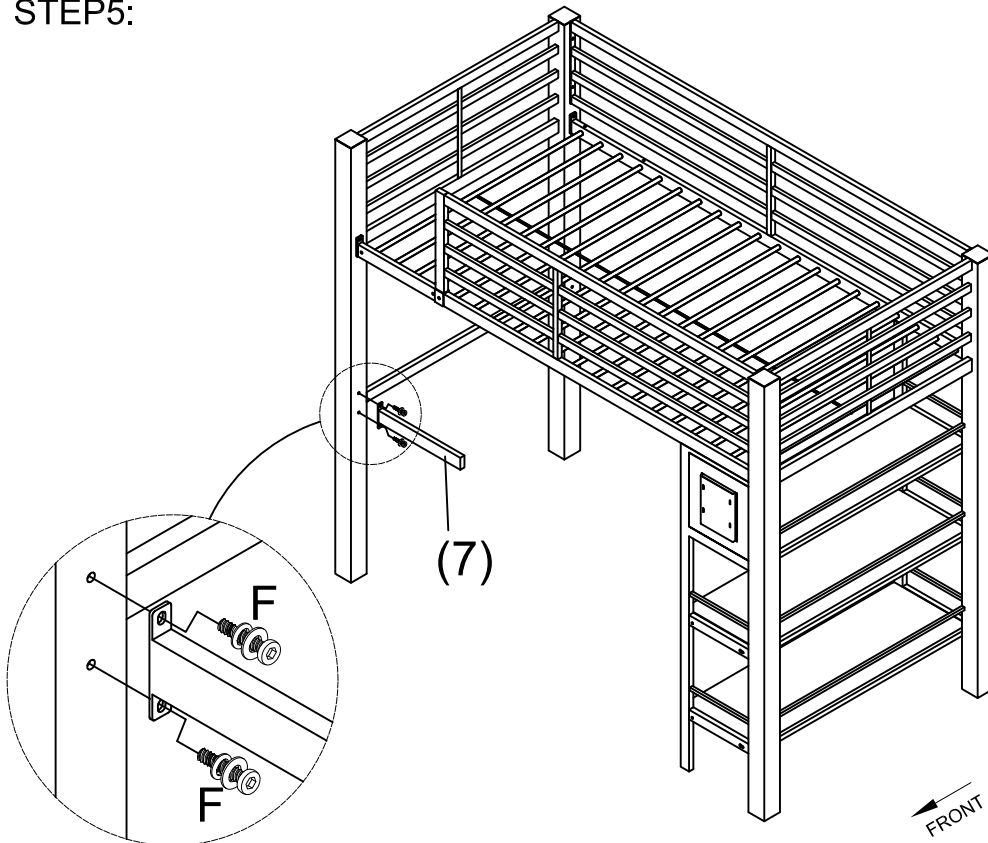
This product is manufactured by WRLW for ROOMS TO GO | KIDS™

Version 01-2022/12/07

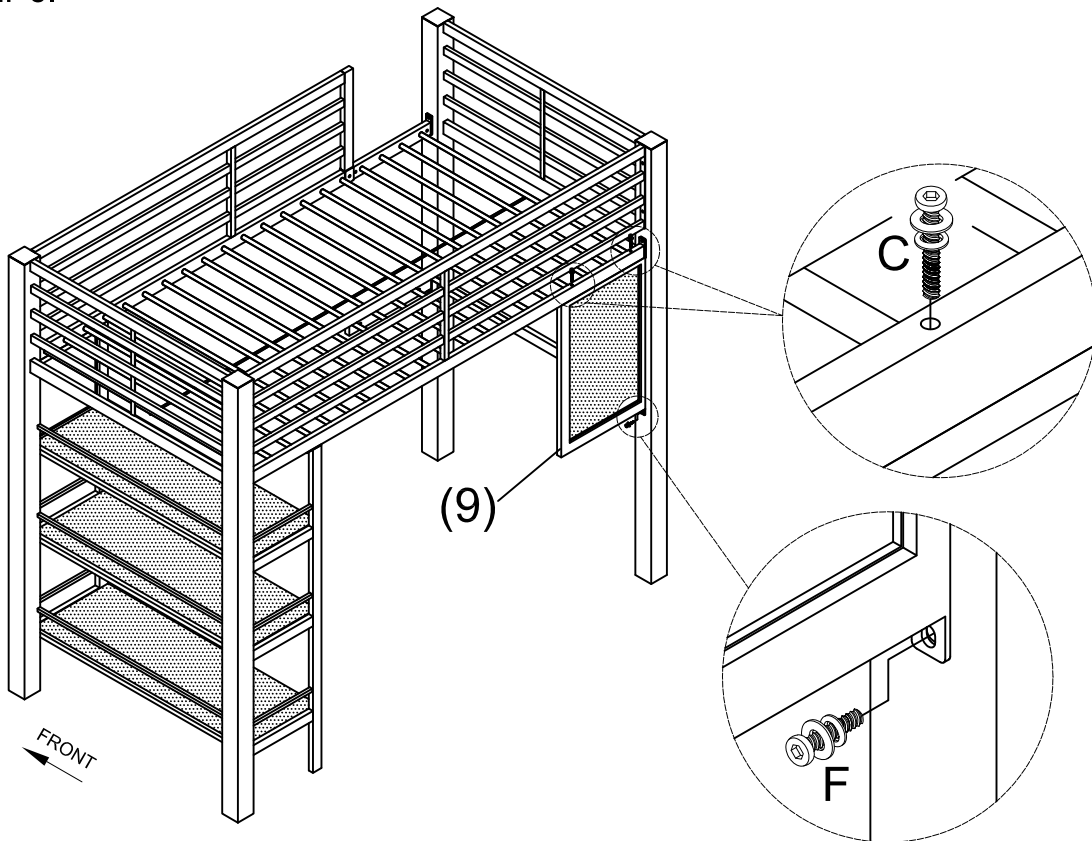
PAGE 08 of 10

Assembly Instructions:

STEP5:



STEP6:



DO NOT USE SUBSTITUTE PARTS. PLEASE CONTACT YOUR RETAIL STORE OR WWW.ROOMSTOGO.COM WITH SERVICE OR PARTS REPLACEMENT REQUEST

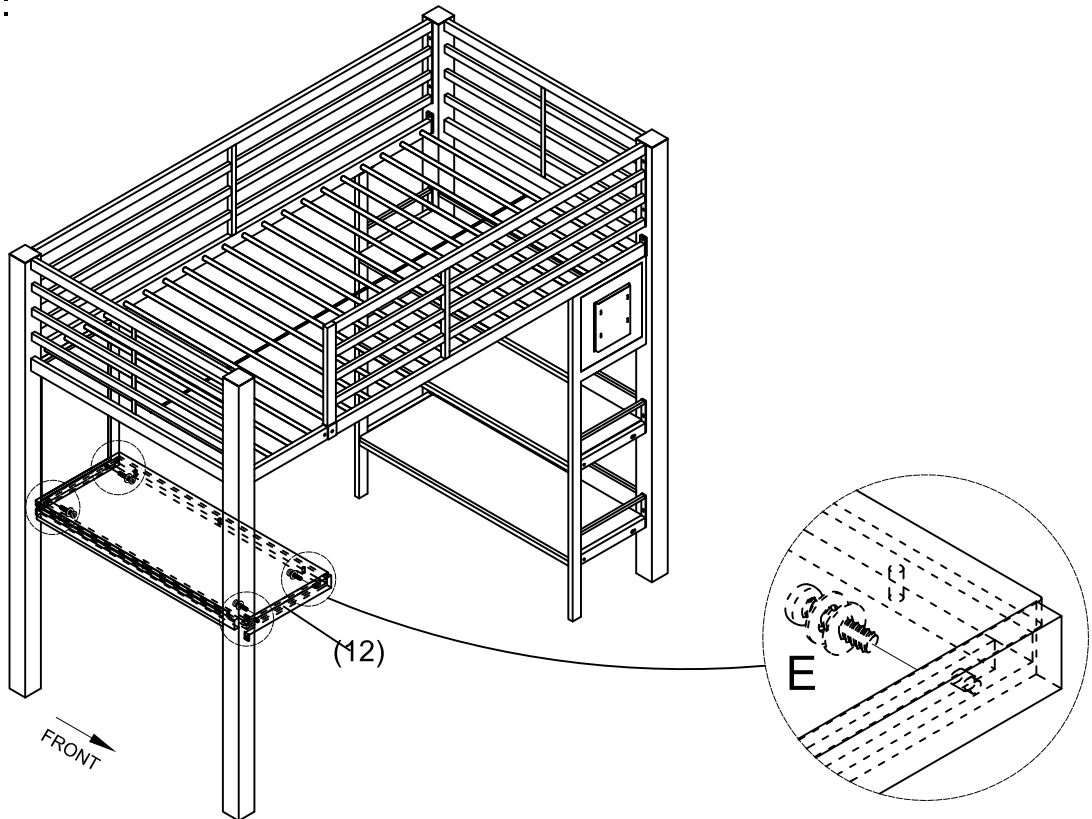
This product is manufactured by WRLW for ROOMS TO GO | KIDS™

Version 01-2022/12/07

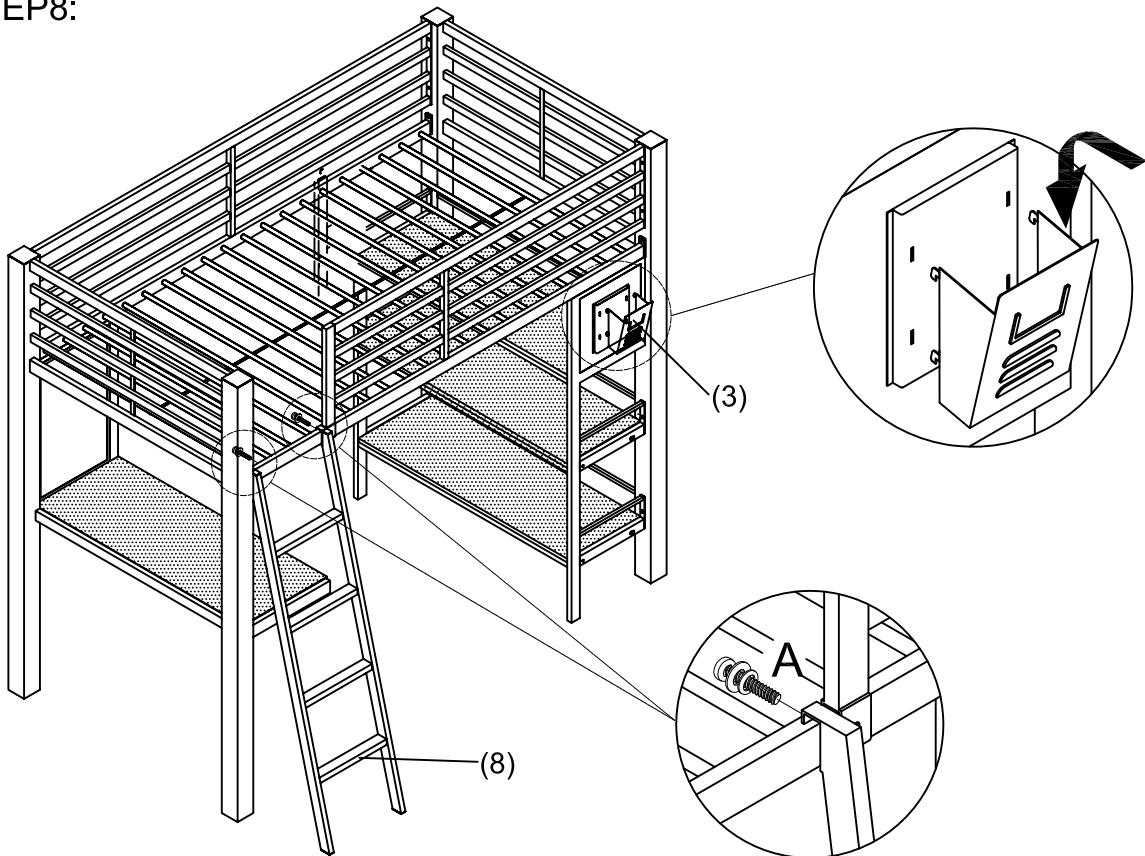
PAGE 09 of 10

Assembly Instructions:

STEP7:



STEP8:



DO NOT USE SUBSTITUTE PARTS. PLEASE CONTACT YOUR RETAIL STORE OR WWW.ROOMSTOGO.COM WITH SERVICE OR PARTS REPLACEMENT REQUEST

This product is manufactured by WRLW for ROOMS TO GO | KIDS™

Version 01-2022/12/07

PAGE 10 of 10