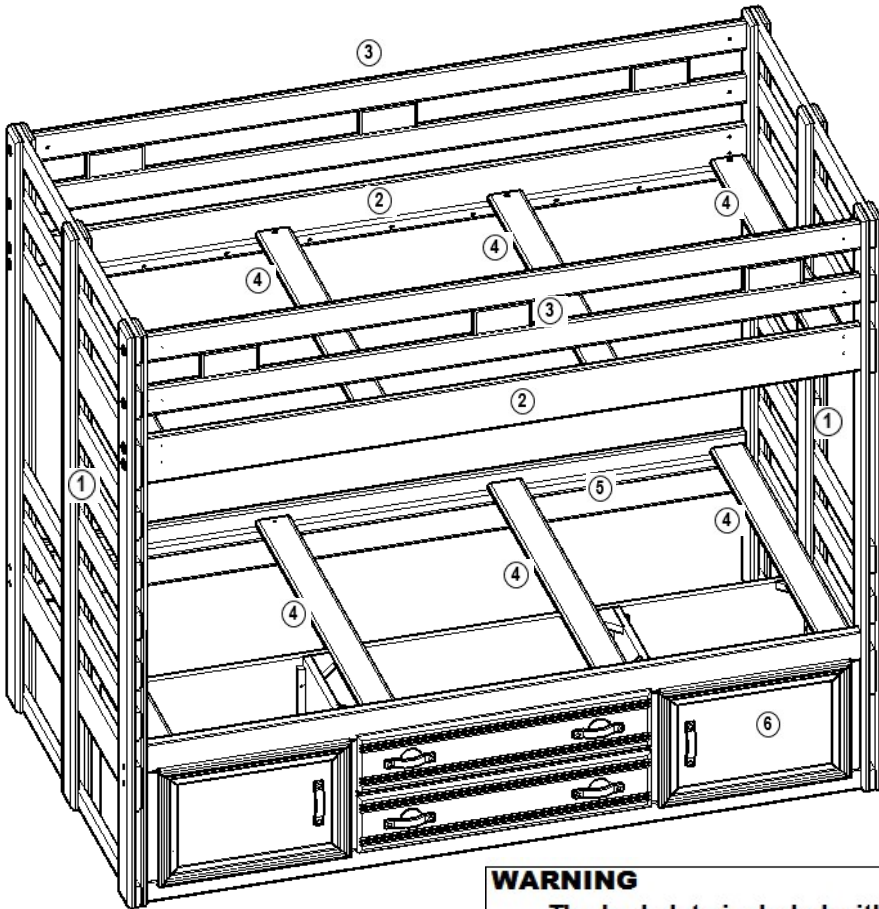


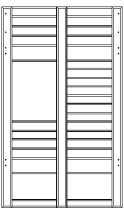
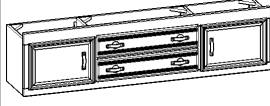









PARTS LIST



3724040P TWIN/TWIN BUNK W/STORAGE SIDERAIL CHARCOAL		
RTG SKU #	STYLE #	ITEM DESCRIPTION
35540409	40G-706	1 PC BUNKBED END TWIN
35540409	40G-706	1 PC BUNKBED END TWIN
36740404	40G-732	4 PC RAILS(2 GUARD & 2 SIDE RAILS)
35340405	40G-940	STORAGE SIDE RAIL
35240403	40G-938	1 PC SIDE RAIL
38000232	100-645	TWIN SLAT PACK (4)
38000232	100-645	TWIN SLAT PACK (4)

3724041P TWIN/TWIN BUNK W/STORAGE SIDERAIL CHESTNUT		
RTG SKU #	STYLE #	ITEM DESCRIPTION
35540411	40B-706	1 PC BUNKBED END TWIN
35540411	40B-706	1 PC BUNKBED END TWIN
36740416	40B-732	4 PC RAILS(2 GUARD & 2 SIDE RAILS)
35340417	40B-940	STORAGE SIDE RAIL
35240415	40B-938	1 PC SIDE RAIL
38000232	100-645	TWIN SLAT PACK (4)
38000232	100-645	TWIN SLAT PACK (4)

WARNING
The bed slats included with this bed will not support a mattress alone, this bed requires Bunkie boards (sold separately)

PARTS LIST	QTY	PARTS LIST	QTY	HARDWARE LIST	QTY	TOOLS NEEDED
1  1 pc bunkbed end twin	2 Pcs	6  Storage side rail	1 Pc	A  5/16"-18 x 3 3/8" Bolt	24 Pcs	Phillips screwdriver (not included) 
2  Side rails	2 Pcs			B  5 mm Hex key	1 Pc	Allen wrench (included) 
3  Guardrails	2 Pcs			C  6 x 1 1/4" Drywall screw	16 Pcs	
4  Slats	8 Pcs					
5  1 pc side rail	1 Pc					

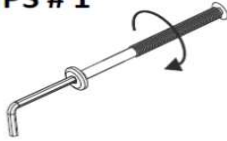
**TWO PEOPLE ARE NEEDED TO ASSEMBLE
DO NOT TIGHTEN COMPLETELY UNTIL ALL PIECES
ARE CONNECTED TOGETHER**

ASSEMBLY INSTRUCTIONS

TIPS : SEE ILLUSTRATION BELOW

- 1- Use the long end of the allen wrench to fasten bolts loosely and quickly.
- 2- Use the short end of the allen wrench for final tightening

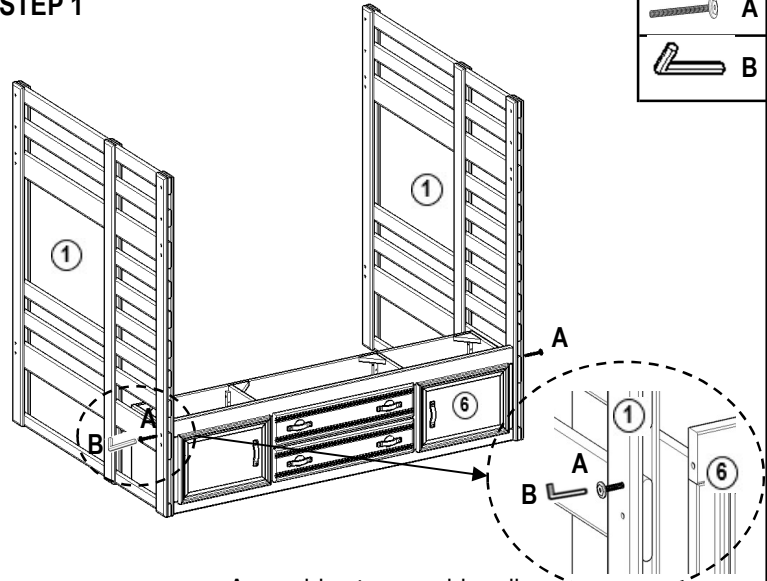
TIPS # 1



TIPS # 2

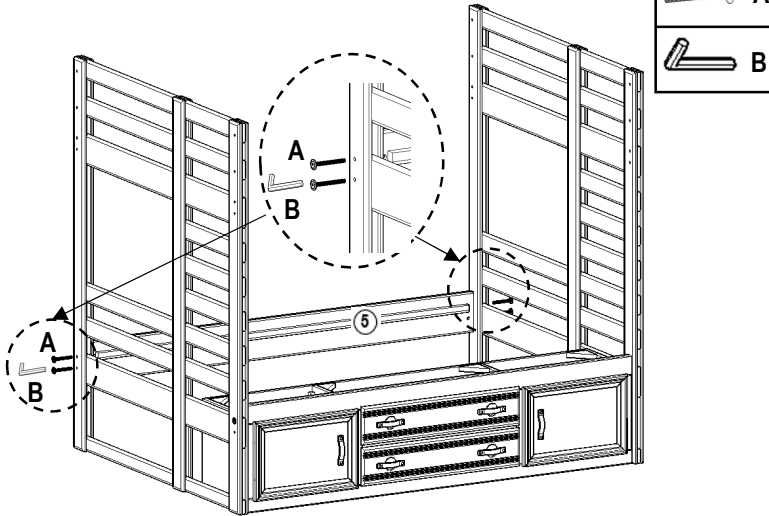


STEP 1



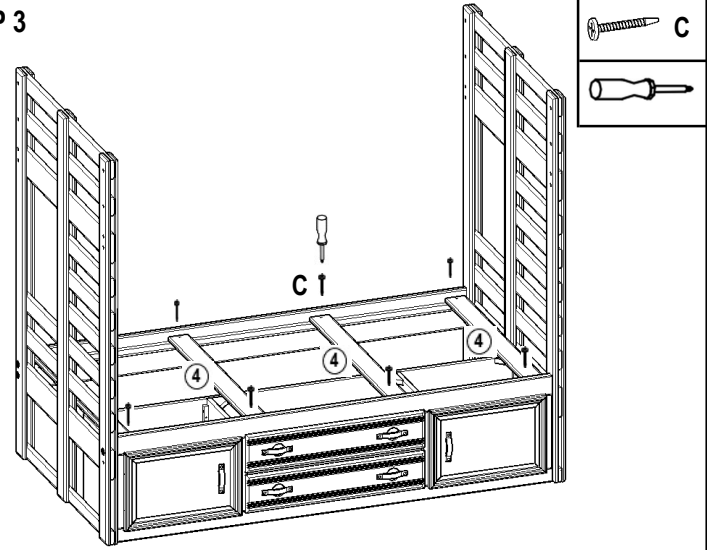
Assemble storage side rail.

STEP 2



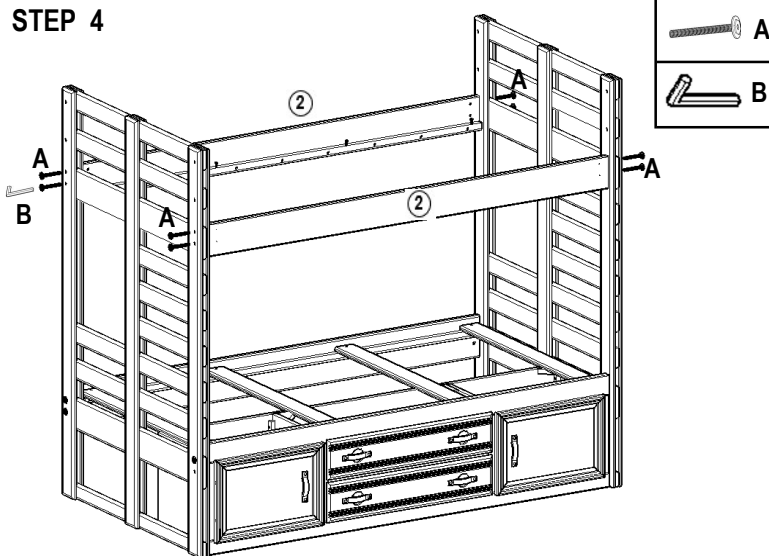
Assemble 1 pc side rail.

STEP 3



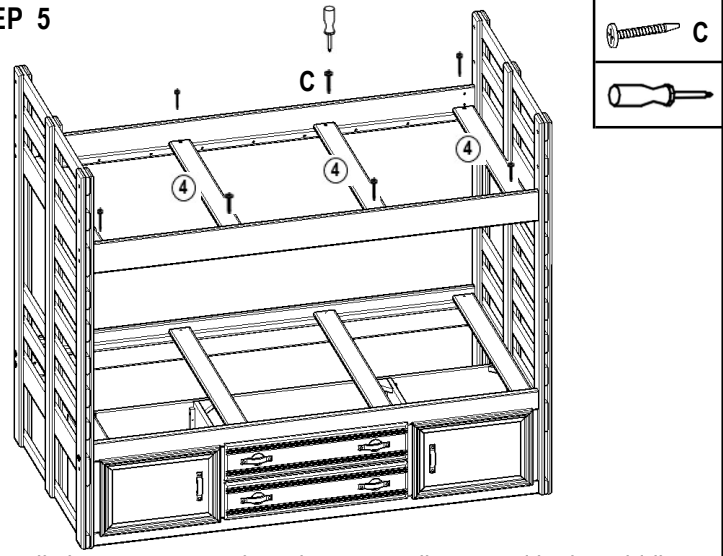
Install slats, one on each end, two equally spaced in the middle, then fasten with 1 1/4" screws

STEP 4



Assemble top side rails.

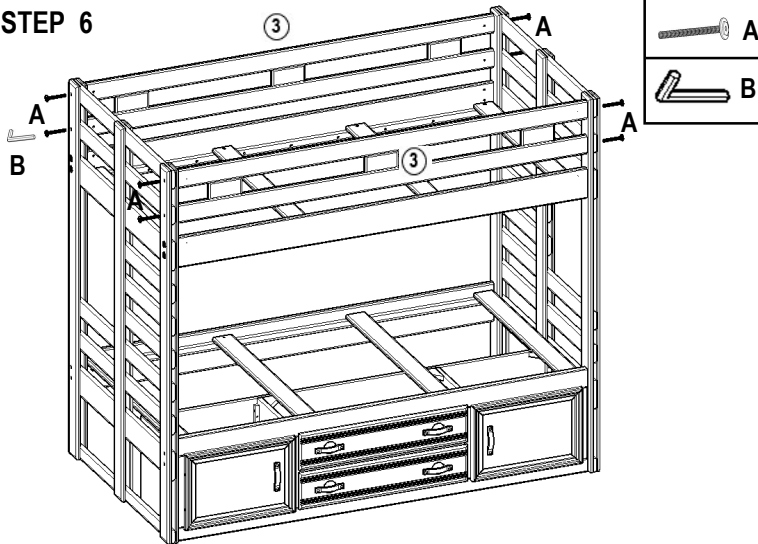
STEP 5



Install slats, one on each end, two equally spaced in the middle, then fasten with 1 1/4" screws

ASSEMBLY INSTRUCTIONS

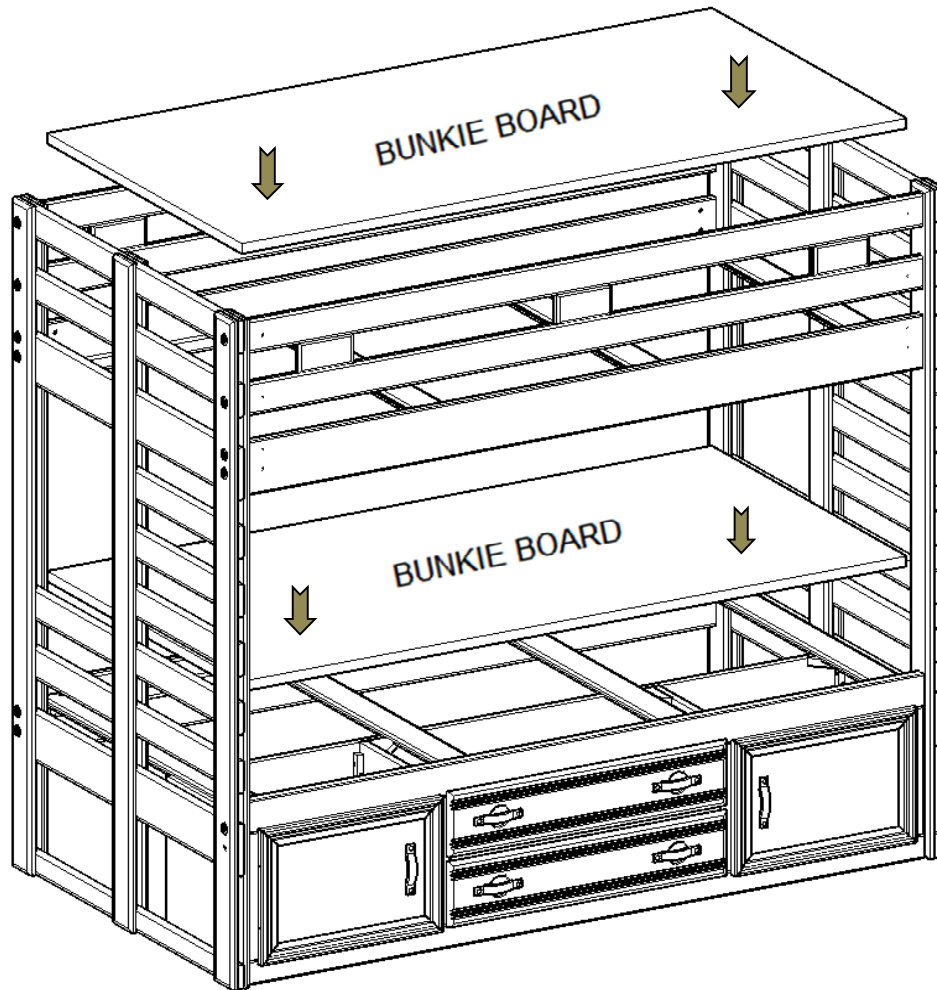
STEP 6



Assemble guardrails and tighten all bolts.

MAKE SURE ALL BOLTS ARE TIGHTENED COMPLETELY

STEP 7



Use only correct mattress dimensions and Bunkie board:

Twin size mattress- 74" - 75" long and 37-1/2" - 38-1/2" wide

Twin size Bunkie board- 74" long and 37-1/2" wide

Full size mattress- 74" - 75" long and 52-1/2" - 53-1/2" wide

Full size Bunkie board- 74" long and 52-1/2" wide

PLEASE CONTACT YOUR RETAIL STORE WITH SERVICE OR PARTS REPLACEMENT REQUEST