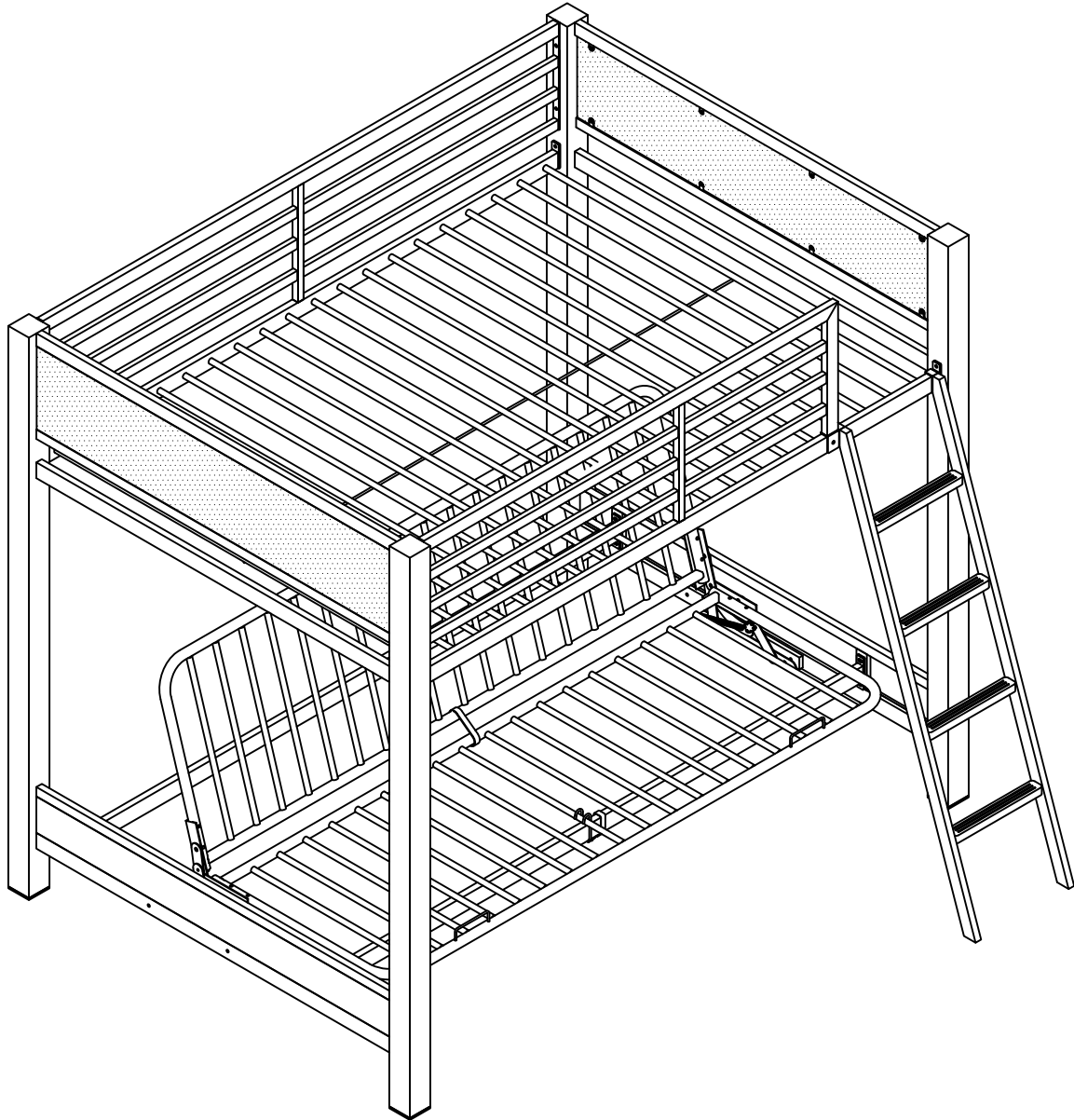


# COLEFAX

## FULL FUTON BUNK BED



**Use only correct mattress dimensions:**  
Full size mattress- 74" - 75" long and 52-1/2"-53-1/2"wide

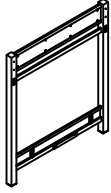
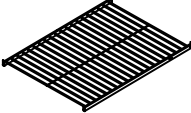
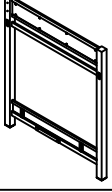
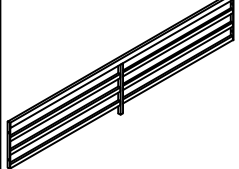
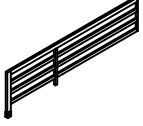
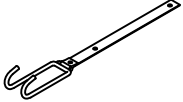



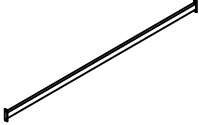


DO NOT USE SUBSTITUTE PARTS. PLEASE CONTACT YOUR RETAIL STORE OR [WWW.ROOMSTOGO.COM](http://WWW.ROOMSTOGO.COM)  
WITH SERVICE OR PARTS REPLACEMENT REQUEST

This product is manufactured by WRLW for **ROOMS TO GO** | **KIDS™**

Version 02-2023/03/20

PAGE 01 of 12

## 3732704P GRAY / 3732705P WHITE FULL FUTON BUNK BED

SKU#	STYLE#	PART#	DESCRIPTION	IMAGE	QTY
36927068/ 36927070	11053DG1/ 11053WW1	1	LEFT BED END		1
		2	UPPER FRAME		1
37027061/ 37027073	11053DG2/ 11053WW2	3	RIGHT BED END		1
		4	BACK GUARDRAIL		1
		5	FRONT GUARDRAIL		1
		6	HOOK		1
37127063/ 37127075	11053DG3/ 11053WW3	7	BACK LOWER FRAME		1
		8	FRONT LOWER FRAME		1
		9	LADDER		1
		10	BRACE		2
		11	LEFT MECHANISM		1
		12	RIGHT MECHANISM		1

DO NOT USE SUBSTITUTE PARTS. PLEASE CONTACT YOUR RETAIL STORE OR [WWW.ROOMSTOGO.COM](http://WWW.ROOMSTOGO.COM)  
WITH SERVICE OR PARTS REPLACEMENT REQUEST

This product is manufactured by WRLW for **ROOMS TO GO** | **KIDS™**

## MATTRESS AND BUNKIE BOARD CHART

PACKAGE	DESCRIPTION	TOP BED	BOTTOM BED
3732704P (GRAY)	Full futon Bunk Bed	Full Mattress Full Bunkie board recommended	NA
3732705P (WHITE)	Full futon Bunk Bed	Full Mattress Full Bunkie board recommended	NA

Use only correct mattress dimensions:  
 Full size mattress- 74" - 75" long and 52-1/2"-53-1/2"wide  
 Full size Bunkie board-74" long and 54" wide  
 Futon size mattress-75" long and 53" wide

DO NOT USE SUBSTITUTE PARTS. PLEASE CONTACT YOUR RETAIL STORE OR [WWW.ROOMSTOGO.COM](http://WWW.ROOMSTOGO.COM)  
 WITH SERVICE OR PARTS REPLACEMENT REQUEST



### WARNING DANGER:

Failure to follow these warnings and assembly instructions could result in serious injury or death. To help prevent serious or fatal injuries from entrapment or falls:

Read all instructions before assembling bunk bed and keep these instructions for future reference.

Before each usage or assembly, inspect bunk bed for damaged hardware, loose joints, missing parts, or sharp edges. DO NOT use bunk bed if any parts are missing or broken.

DO NOT use substitute parts. Contact your local Rooms To Go or visit [www.ROOMSTOGO.com](http://www.ROOMSTOGO.com) for replacement parts and instructional literature if needed.

Follow the information on the warnings appearing on the upper bunk end structure and on the carton. DO NOT REMOVE WARNING LABEL FROM BED.

Always use the recommended size mattresses or mattress supports, or both, to help prevent the likelihood of entrapment or falls.

Ensure thickness of mattress and does not exceed 10" and mattress surface is at least 5 inches (127mm) below upper edge of guardrails for the upper bunk.

Do not allow children under 6 years of age to use the upper bunk.

Periodically check and ensure that the guardrail, ladder, and other components are in their proper position, free from damage, and that all connectors are tight.

Do not allow horseplay on or under the bed and prohibit jumping on the bed.

Limit top bunk use to one person.

Always use the ladder for entering and leaving the upper bunk.

Use of a night light may provide added safety precaution for a child using the upper bunk.

Always use guardrails on both long sides of the upper bunk. If the bunk bed will be placed next to the wall, the guardrail that runs the full length of the bed should be placed against the wall to prevent entrapment between the bed and wall.

The use of water or sleep flotation mattresses is prohibited.

This bunk bed meets all the requirements of ASTM 1427.



### STRANGULATION HAZARD:

Never attach or hang items to any part of the bunk bed that are not designed for use with the bed; for example, but not limited to, hooks, belts and jump ropes.

DO NOT USE SUBSTITUTE PARTS. PLEASE CONTACT YOUR RETAIL STORE OR [WWW.ROOMSTOGO.COM](http://WWW.ROOMSTOGO.COM) WITH SERVICE OR PARTS REPLACEMENT REQUEST

This product is manufactured by WRLW for **ROOMS TO GO** | **KIDS**

Version 02-2023/03/20

PAGE 04 of 12

## P r e - A s s e m b l y

### **Warning:**

The bed slats included with this bed will support a mattress alone, this bed does not require Bunkie boards.

Read all the instructions, identify all components, choose your configuration, and be sure you have all parts prior to assembly.

### **Two people are needed to assemble.**

#### Tools Needed

Phillips heads screwdriver (not included)  
4mm allen wrench (included)  
5mm allen wrench (included)

**MAKE SURE ALL BOLTS ARE TIGHTENED COMPLETELY**

#### **CARE INSTRUCTIONS:**

Dust with a clean, soft cloth. Avoid the use of all abrasive cleaners.

**PLEASE CONTACT YOUR RETAIL STORE WITH SERVICE OR PARTS REPLACEMENT REQUEST**

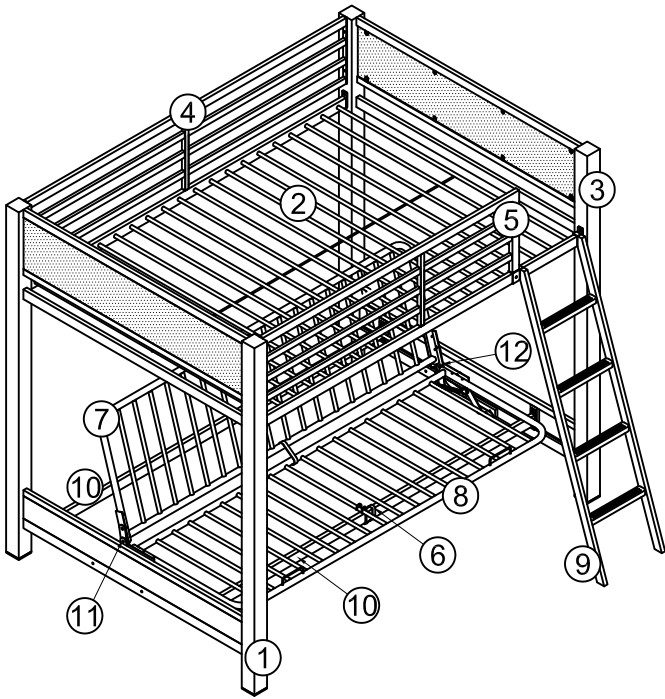
DO NOT USE SUBSTITUTE PARTS. PLEASE CONTACT YOUR RETAIL STORE OR [WWW.ROOMSTOGO.COM](http://WWW.ROOMSTOGO.COM)  
WITH SERVICE OR PARTS REPLACEMENT REQUEST

This product is manufactured by WRLW for **ROOMS TO GO** | **KIDS™**

Version 02-2023/03/20

PAGE 05 of 12

# Parts List



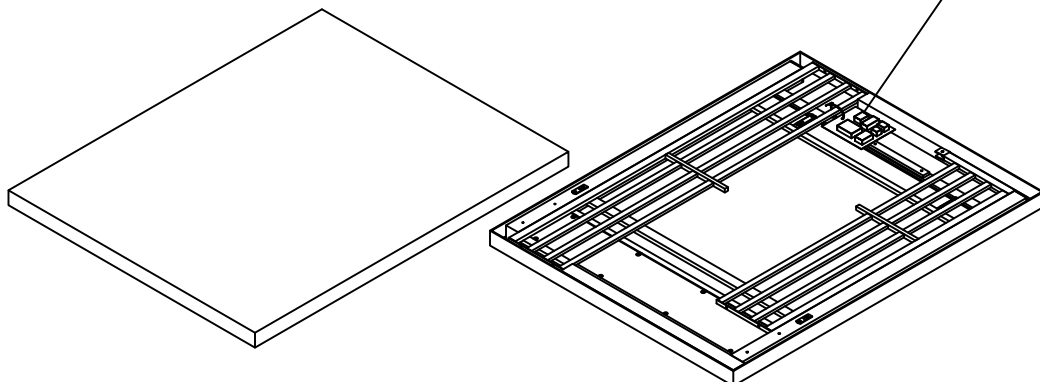
E	5/16"x18x1-3/4"		8
F	5/16"x18x1-3/4"		4
G	5/16"		12
H	1/4"x22mm		1
I	∅18mm		12
J	218x17x2.5mm		1
K	20x40mm		4
L	13mm		1
A	5/16"x18x5/8"		8
B	1/4"x20x5/8"		11
C	1/4"x20x2-3/4"		2
D	5/16"x18x1-1/4"		2
M	4x4x60mm		2
N	5x5x60mm		1
O	M4x12mm		1
P	∅10x5mm		1

## Hardware Pack Location:

### Hardware Pack Location:

SKU#	STYLE#	DESCRIPTION
37027061	11053DG2	FULL RIGHT BED END & GUARD RAIL
37027073	11053WW2	FULL RIGHT BED END & GUARD RAIL

11053DG/11053WW  
Hardware Pack Location



DO NOT USE SUBSTITUTE PARTS. PLEASE CONTACT YOUR RETAIL STORE OR [WWW.ROOMSTOGO.COM](http://WWW.ROOMSTOGO.COM) WITH SERVICE OR PARTS REPLACEMENT REQUEST

This product is manufactured by WRLW for ROOMS TO GO | KIDS™

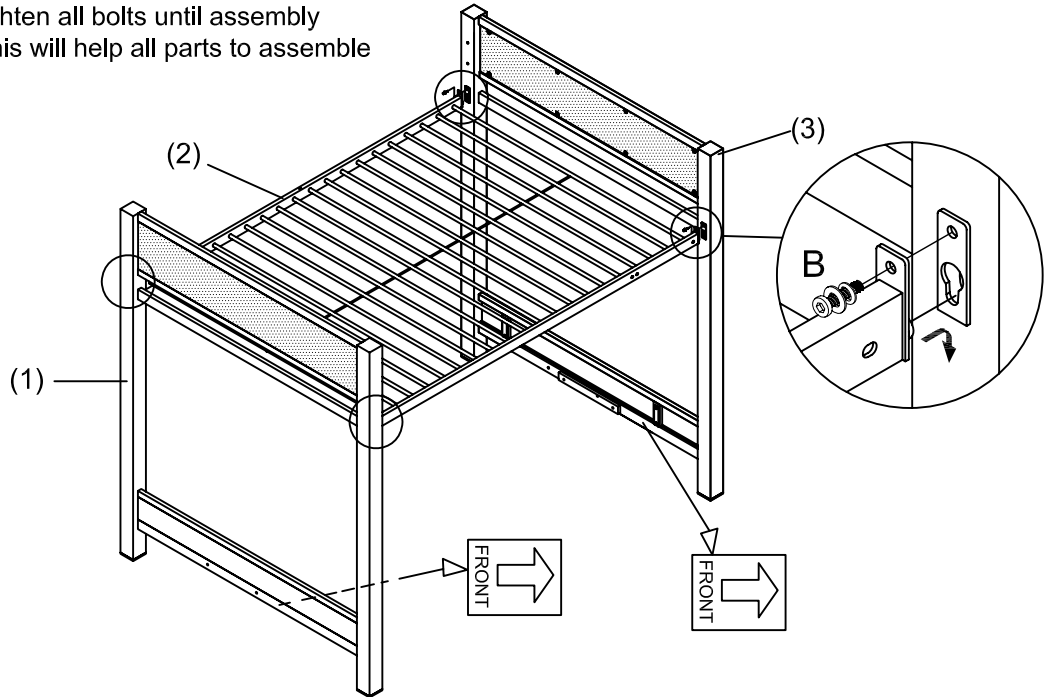
# Assembly Instructions:

## ATTENTION !

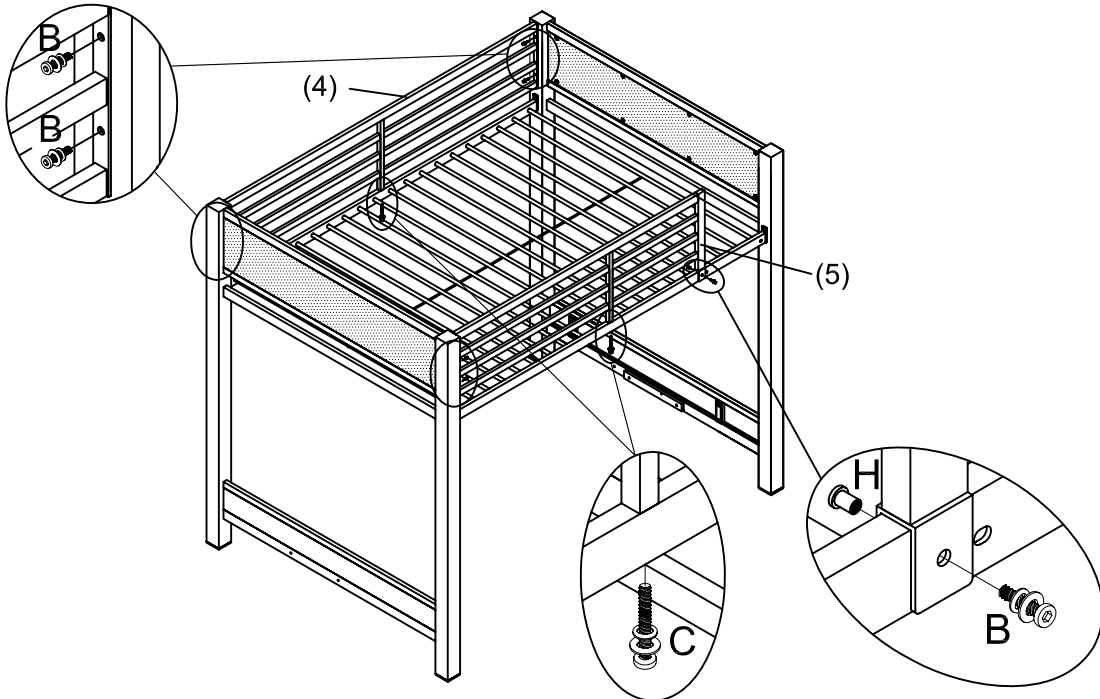
Before you begin the assembly,  
DECIDE which way the futon should face front,  
Position the side panels labeled FRONT face the front.

### STEP1:

Do not fully tighten all bolts until assembly is complete. This will help all parts to assemble properly.



### STEP2:



DO NOT USE SUBSTITUTE PARTS. PLEASE CONTACT YOUR RETAIL STORE OR [WWW.ROOMSTOGO.COM](http://WWW.ROOMSTOGO.COM) WITH SERVICE OR PARTS REPLACEMENT REQUEST

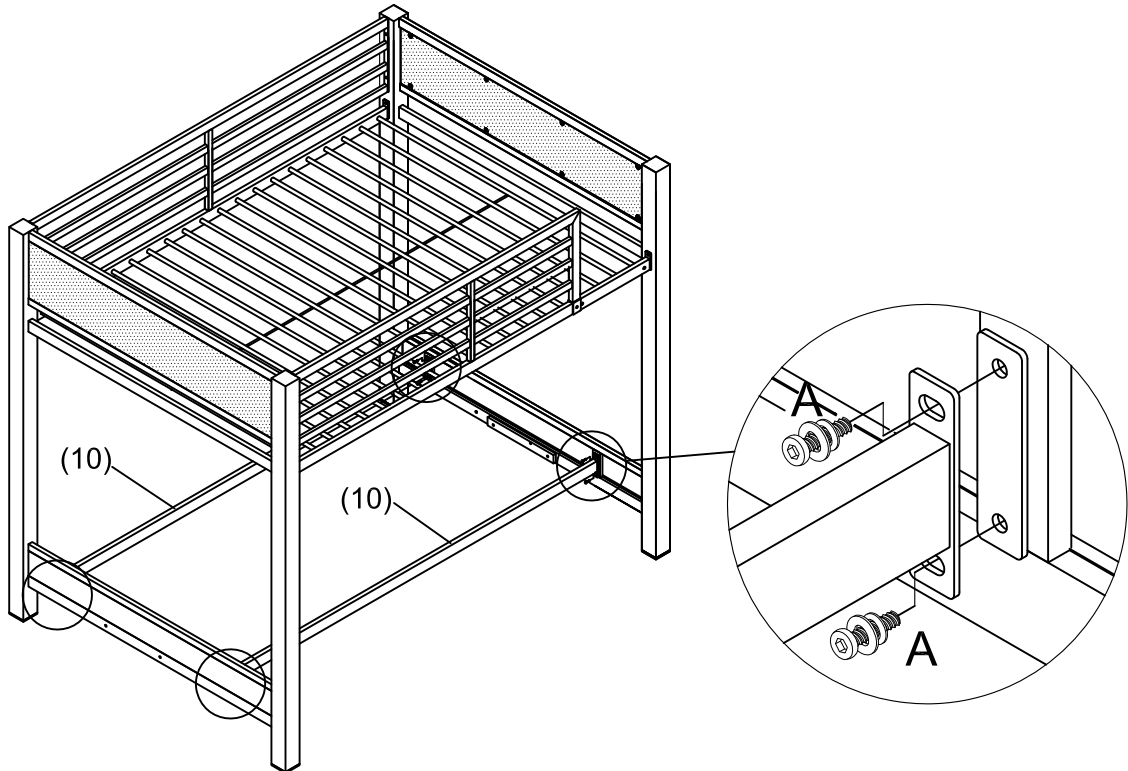
This product is manufactured by WRLW for **ROOMS TO GO** | **KIDS**

Version 02-2023/03/20

PAGE 07 of 12

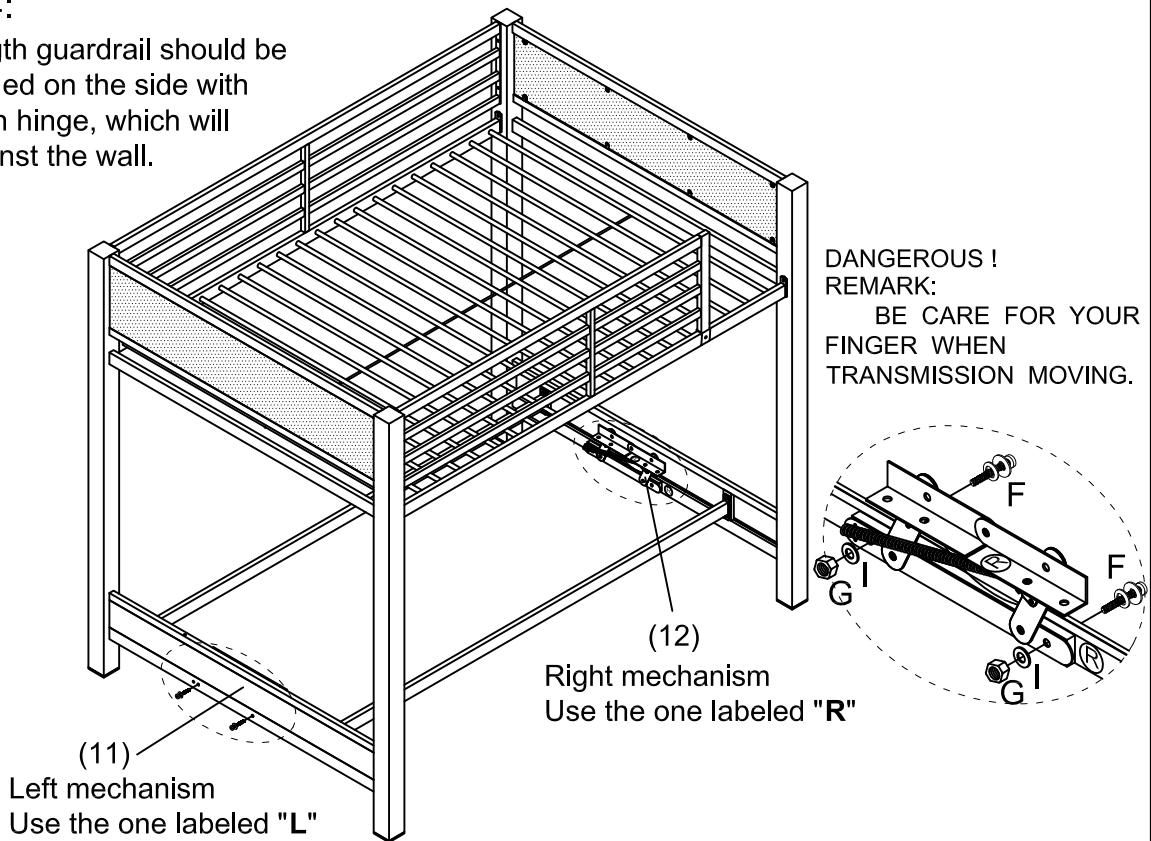
# Assembly Instructions:

## STEP3:



## STEP4:

Full length guardrail should be assembled on the side with the futon hinge, which will be against the wall.



DO NOT USE SUBSTITUTE PARTS. PLEASE CONTACT YOUR RETAIL STORE OR [WWW.ROOMSTOGO.COM](http://WWW.ROOMSTOGO.COM) WITH SERVICE OR PARTS REPLACEMENT REQUEST

This product is manufactured by WRLW for ROOMS TO GO | KIDS™

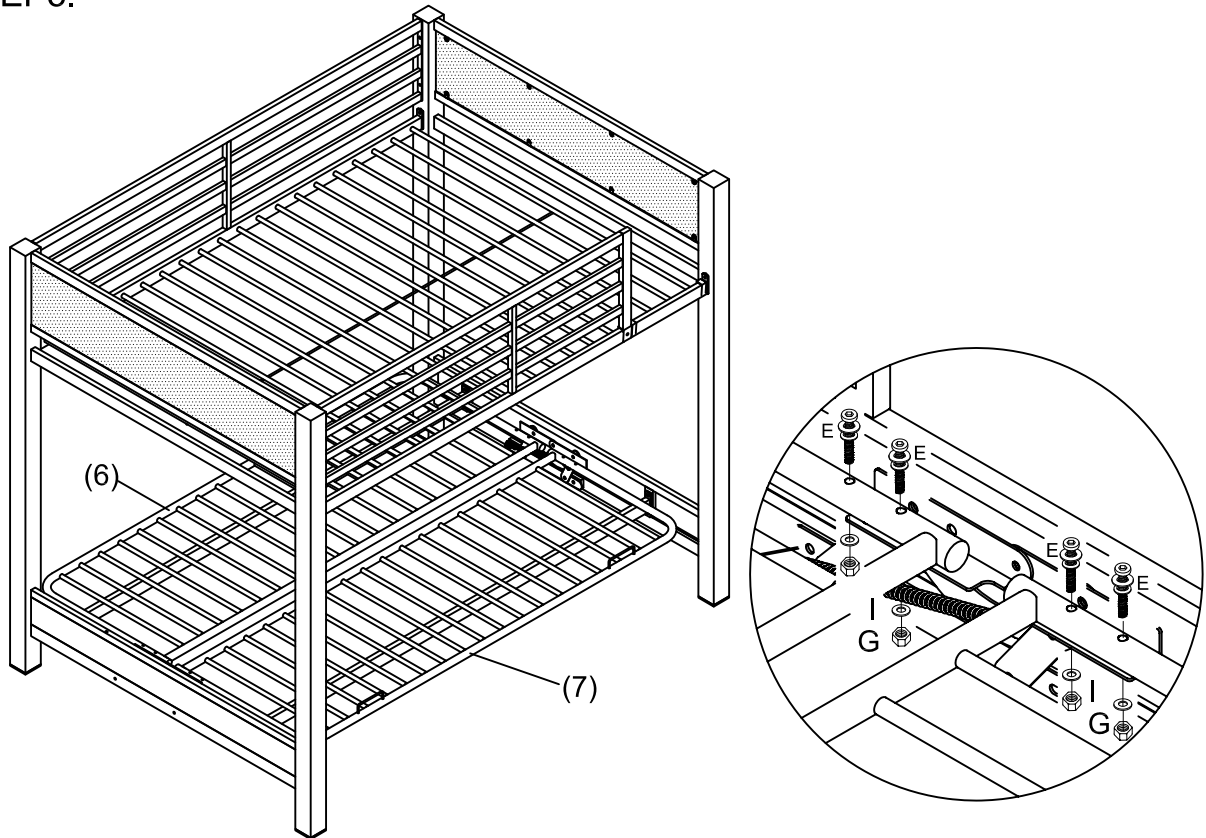
Version 02-2023/03/20

PAGE 08 of 12

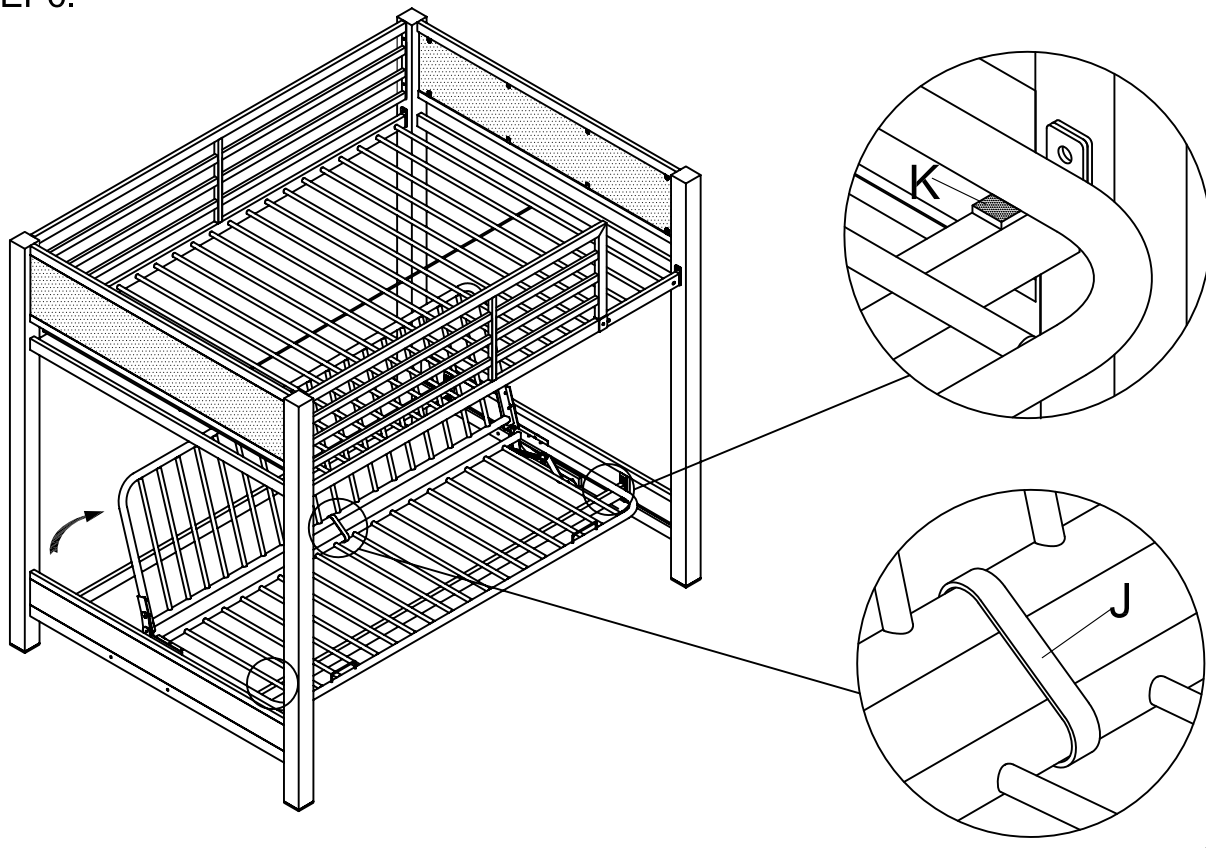


# Assembly Instructions:

## STEP5:



## STEP6:



DO NOT USE SUBSTITUTE PARTS. PLEASE CONTACT YOUR RETAIL STORE OR [WWW.ROOMSTOGO.COM](http://WWW.ROOMSTOGO.COM) WITH SERVICE OR PARTS REPLACEMENT REQUEST

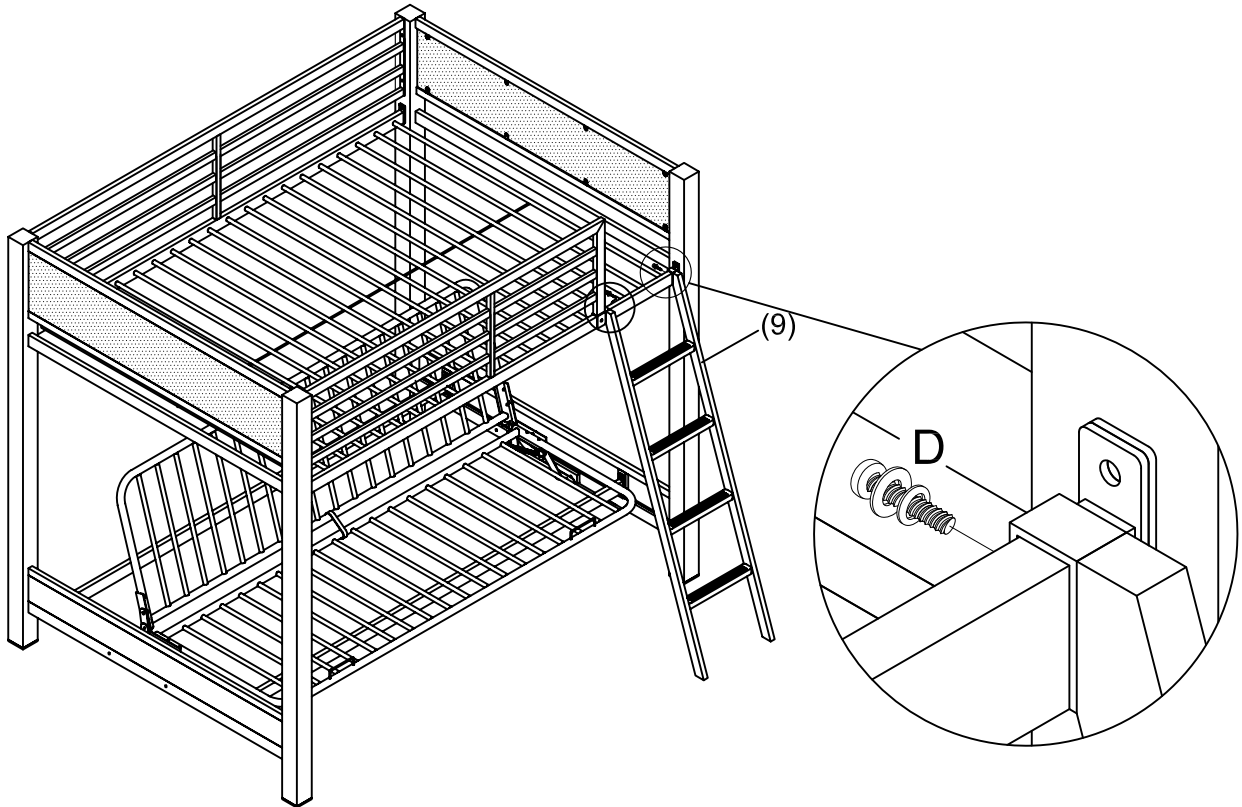
This product is manufactured by WRLW for ROOMS TO GO | KIDS™

Version 02-2023/03/20

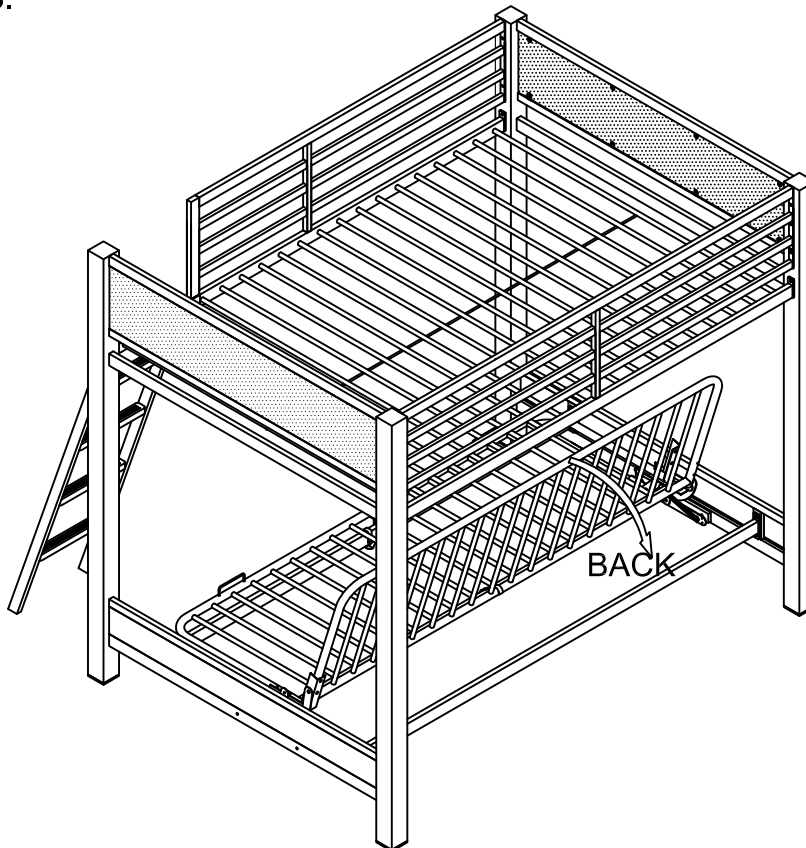
PAGE 09 of 12

# Assembly Instructions:

STEP7:



STEP8:



DO NOT USE SUBSTITUTE PARTS. PLEASE CONTACT YOUR RETAIL STORE OR [WWW.ROOMSTOGO.COM](http://WWW.ROOMSTOGO.COM) WITH SERVICE OR PARTS REPLACEMENT REQUEST

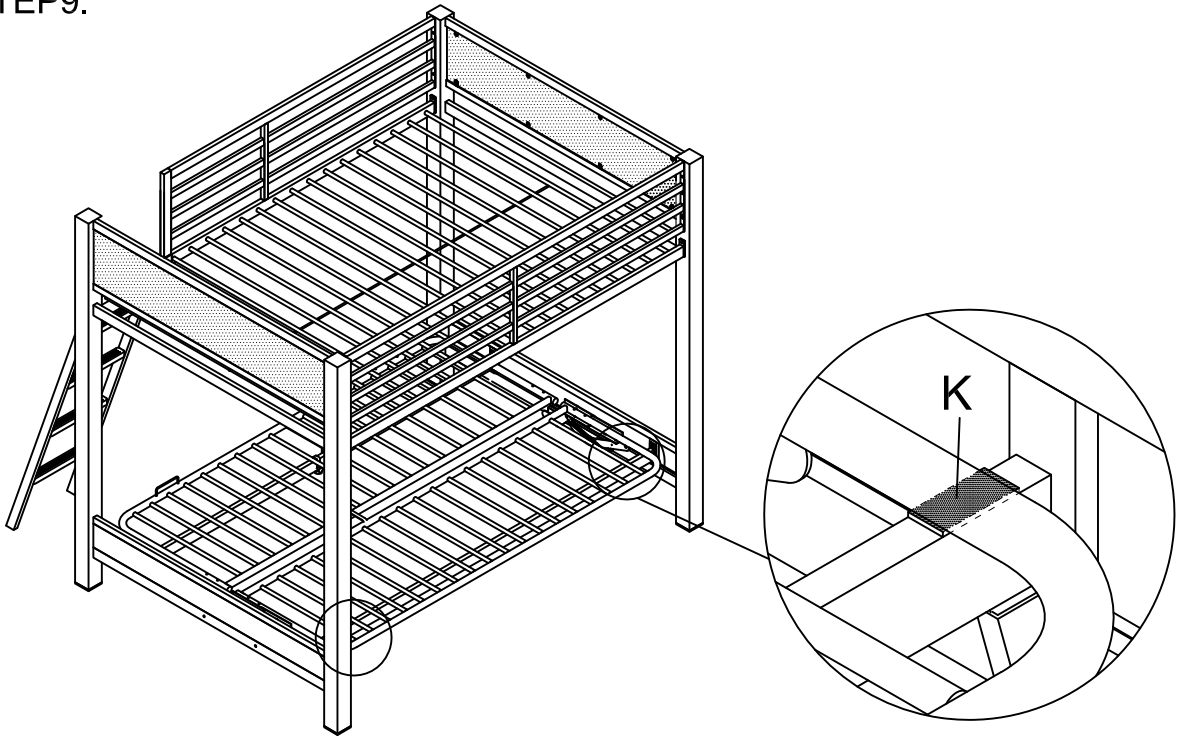
This product is manufactured by WRLW for ROOMS TO GO | KIDS™

Version 02-2023/03/20

PAGE 10 of 12

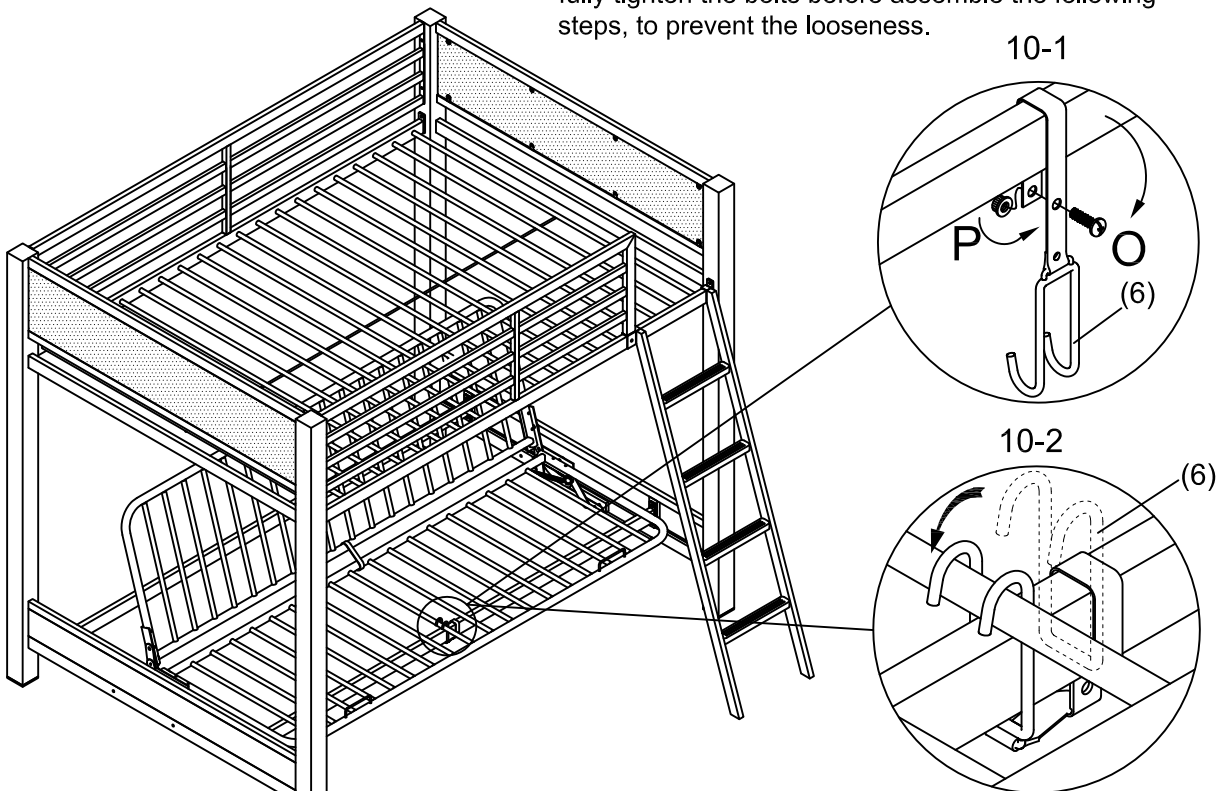
# Assembly Instructions:

## STEP9:



## STEP10:

Note: Please adjust any parts out of alignment and fully tighten the bolts before assemble the following steps, to prevent the looseness.



CAUTION: THE EXTRA SAFETY HOOK CAN NOT EASILY ALLOW CONSUMERS PUT THE FUTON LOWER FROM THE SEATED TO THE FLAT POSITION AND PREVENT FROM ENTRAPMENT HAZARD.

DO NOT USE SUBSTITUTE PARTS. PLEASE CONTACT YOUR RETAIL STORE OR [WWW.ROOMSTOGO.COM](http://WWW.ROOMSTOGO.COM) WITH SERVICE OR PARTS REPLACEMENT REQUEST

This product is manufactured by WRLW for **ROOMS TO GO** | **KIDS**

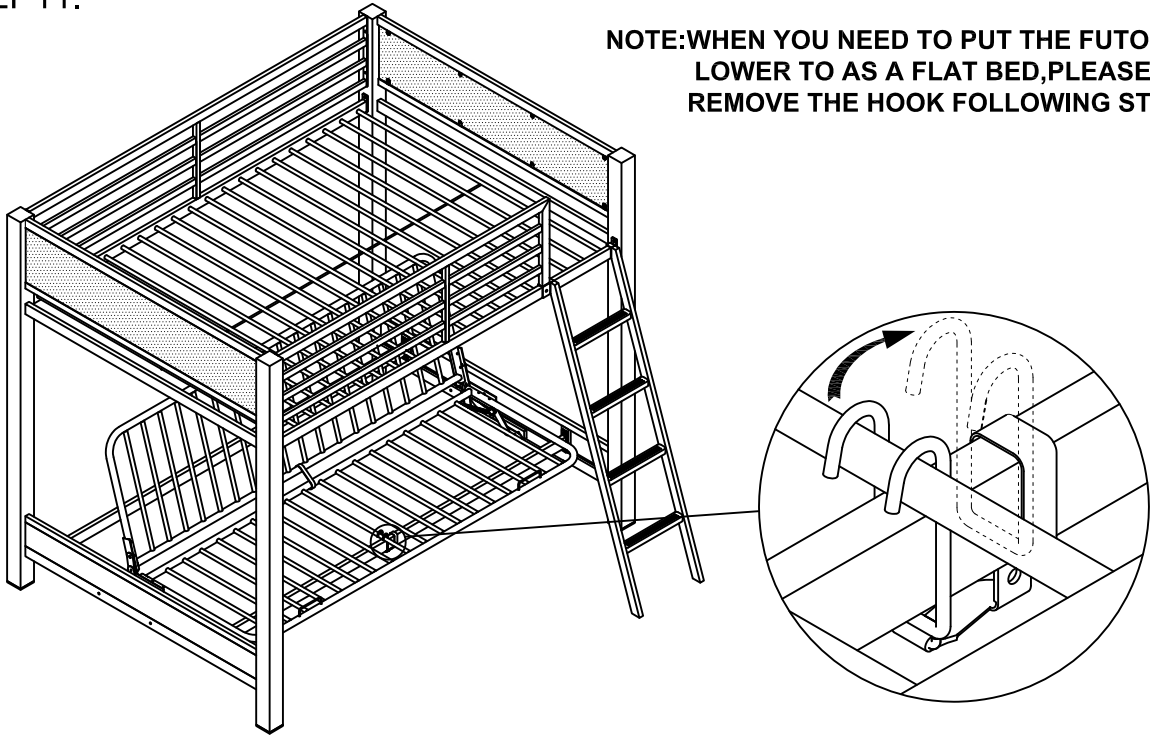
Version 02-2023/03/20

PAGE 11 of 12

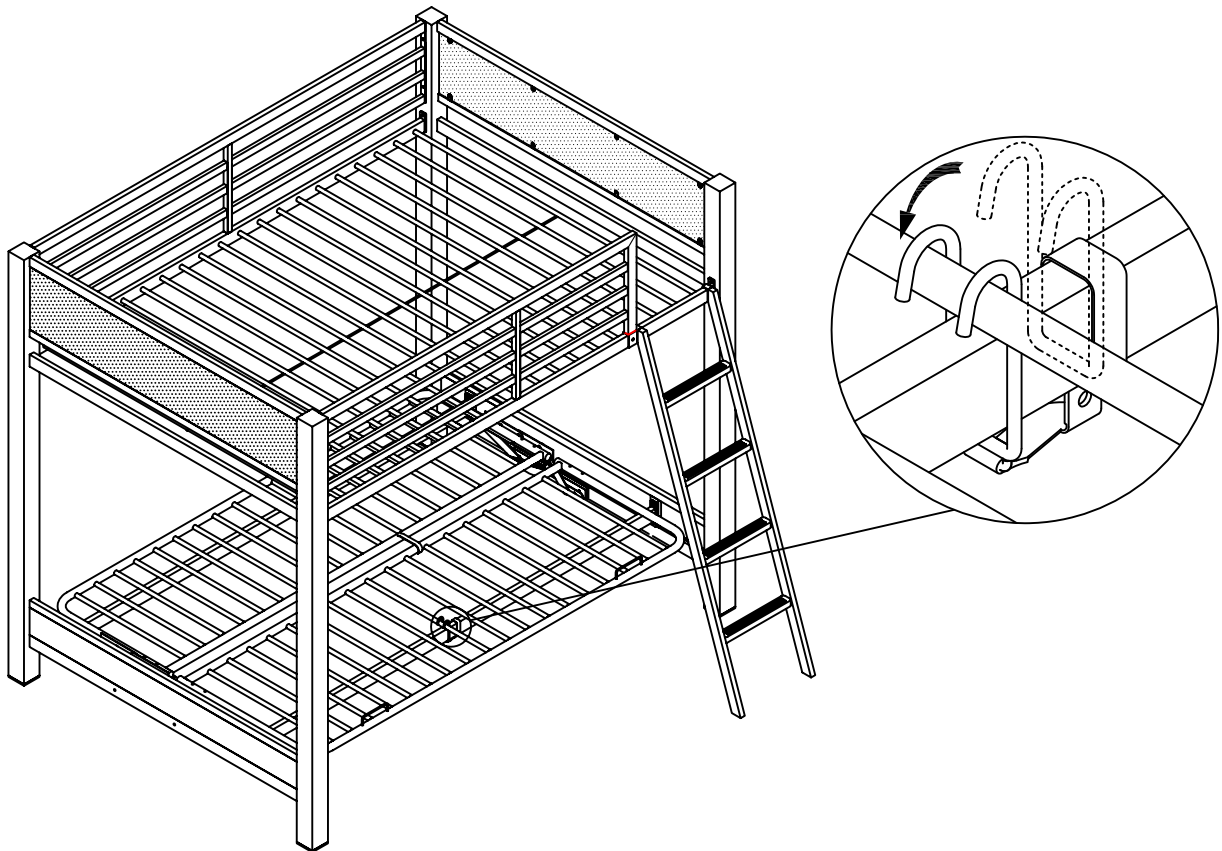
# Assembly Instructions:

STEP11:

NOTE:WHEN YOU NEED TO PUT THE FUTON LOWER TO AS A FLAT BED,PLEASE REMOVE THE HOOK FOLLOWING STEP



STEP12:



DO NOT USE SUBSTITUTE PARTS. PLEASE CONTACT YOUR RETAIL STORE OR [WWW.ROOMSTOGO.COM](http://WWW.ROOMSTOGO.COM) WITH SERVICE OR PARTS REPLACEMENT REQUEST

This product is manufactured by WRLW for ROOMS TO GO | KIDS™

Version 02-2023/03/20

PAGE 12 of 12