

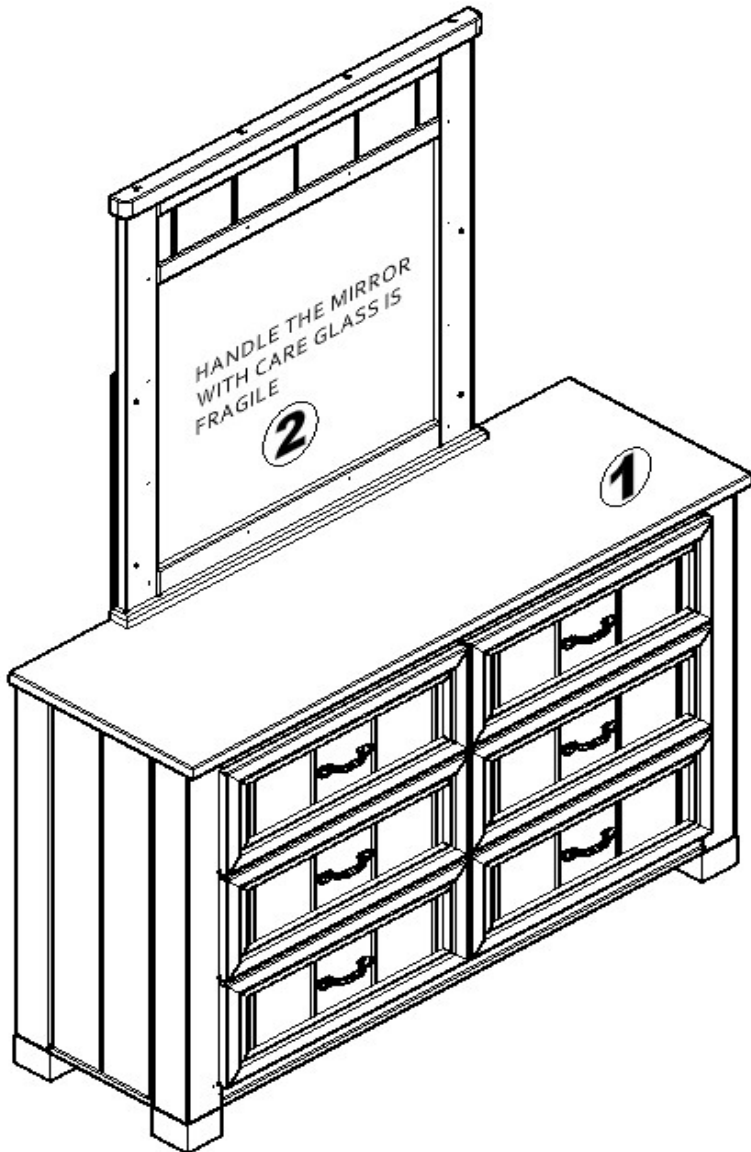
KIDS

Manufactured for Rooms to Go

COTTAGE COLORS COLLECTION

THANK YOU FOR YOUR PURCHASE

- Read all the instructions, identify all components, and be sure you have all parts prior to assembly
- DO NOT Use substitute parts. Contact your local Rooms To Go or visit www.ROOMSTOGO.COM for replacement parts and instructional literature if needed.



6 DRW DRESSER&LANDSCAPE MIRROR WILLOW WHITE		
RTG SKU #	STYLE #	ITEM DESCRIPTION
37428009	28W-216	6 DRAWER DRESSER
34028008	28W-300	LANDSCAPE MIRROR

6 DRW DRESSER&LANDSCAPE MIRROR BAY BLACK		
RTG SKU #	STYLE #	ITEM DESCRIPTION
37428011	28B-216	6 DRAWER DRESSER
34028010	28B-300	LANDSCAPE MIRROR

6 DRW DRESSER&LANDSCAPE MIRROR WISPER GRAY		
RTG SKU #	STYLE #	ITEM DESCRIPTION
37428023	28J-216	6 DRAWER DRESSER
34028022	28J-300	LANDSCAPE MIRROR

6 DRW DRESSER&LANDSCAPE MIRROR LAVENDER		
RTG SKU #	STYLE #	ITEM DESCRIPTION
35628099	28L-216	6 DRAWER DRESSER
34028096	28L-300	LANDSCAPE MIRROR

6 DRW DRESSER&LANDSCAPE MIRROR NAVY		
RTG SKU #	STYLE #	ITEM DESCRIPTION
37328033	28N-216	6 DRAWER DRESSER
34028034	28N-300	LANDSCAPE MIRROR

PARTS LIST		QTY
1	<p>6 DRAWER DRESSER</p>	1 PCS
2	<p>LANDSCAPE MIRROR</p>	1 PCS

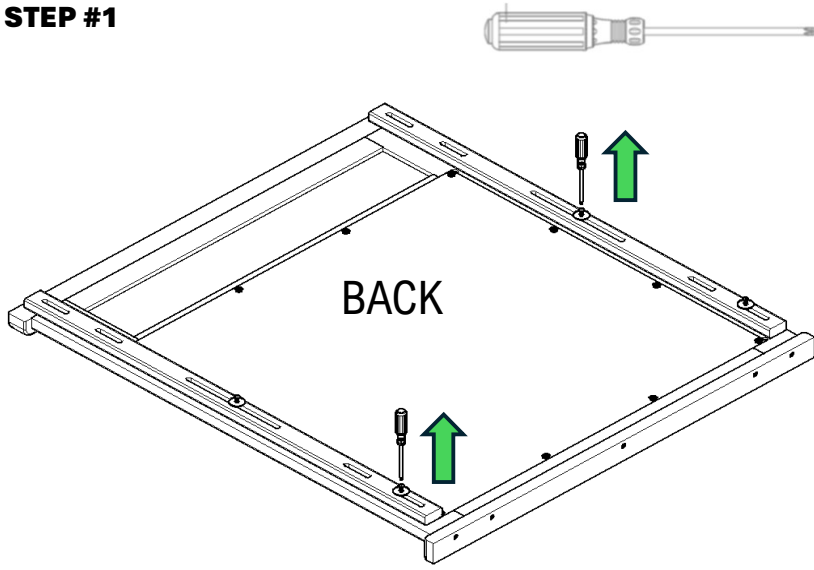
HARDWARE LIST [HPK00185-0]		QTY
A	<p>WOOD SUPPORT</p>	2 PCS
B	<p>1 3/8" SCREW</p>	8 PCS
C	<p>1" WASHER #10 ZINC</p>	8 PCS

TOOLS NEEDED
<p>PHILLIPS SCREWDRIVER [NOT INCLUDED]</p>

**TWO PEOPLE ARE NEEDED TO ASSEMBLE
DO NOT TIGHTEN COMPLETELY UNTIL ALL PIECES
ARE CONNECTED TOGETHER**

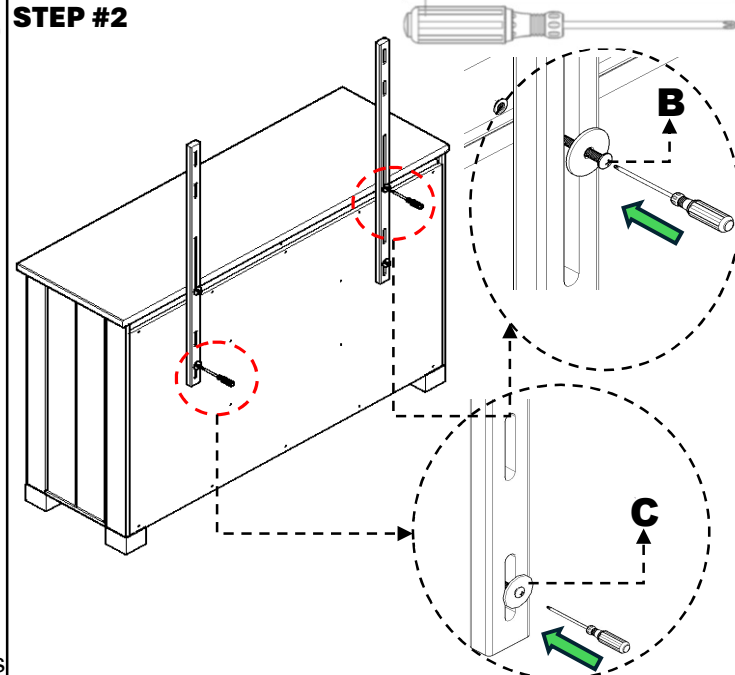
ASSEMBLY INSTRUCTIONS

STEP #1



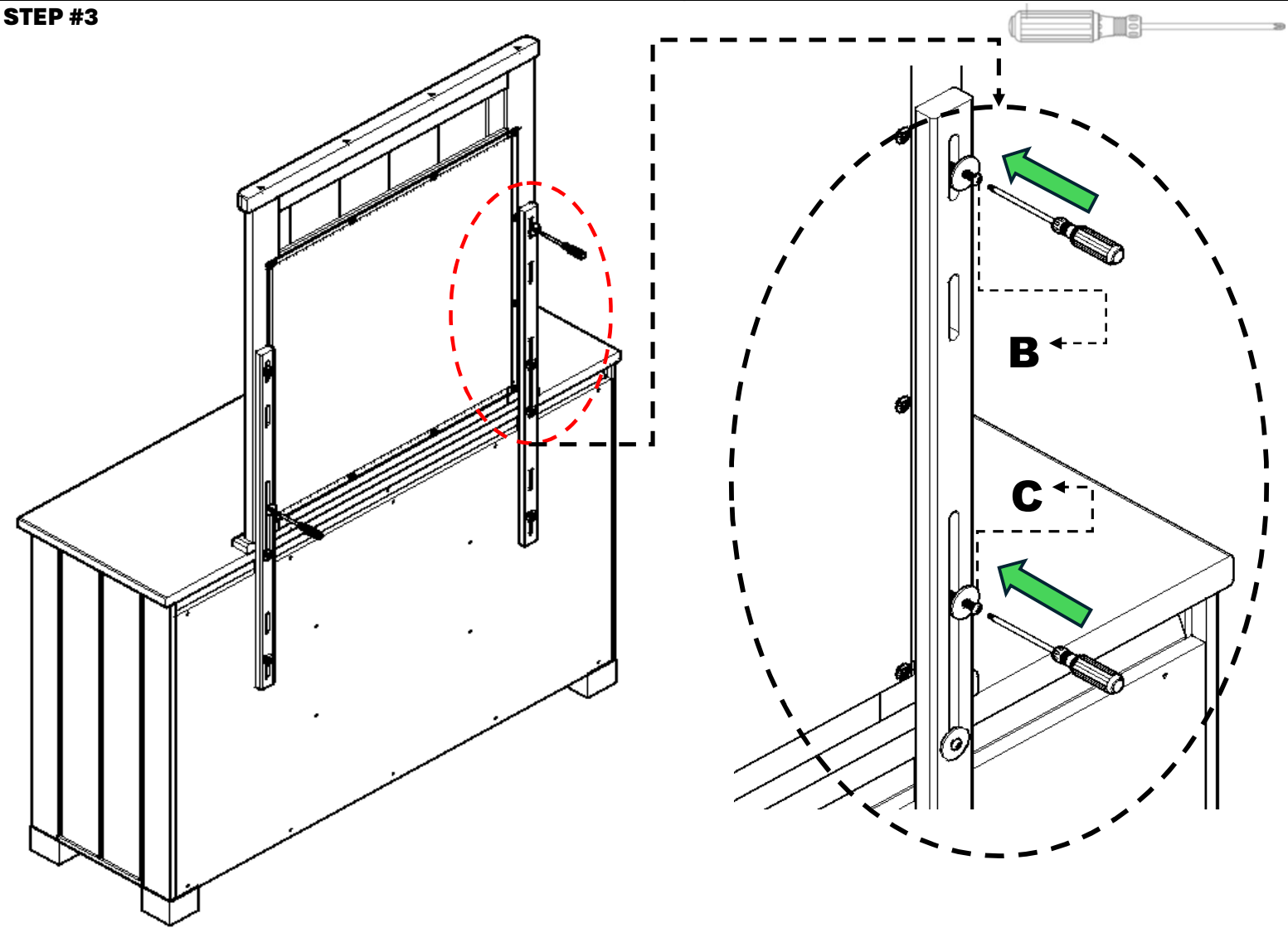
Place mirror on a flat surface front down, then remove all four screws and washers.

STEP #2



Assemble wood supports on the back of dresser

STEP #3



Attach mirror to dresser **MAKE SURE ALL SCREWS ARE TIGHTENED COMPLETELY** (Do not over tighten)