

ROOMS TO GO
KIDS
Manufactured for Rooms to Go

CREEKSIDE 2.0 COLLECTION

THANK YOU FOR YOUR PURCHASE



WARNING DANGER

Failure to follow these warnings and assembly instructions could result in serious injury or death. To help prevent serious or fatal injuries from entrapment or falls:

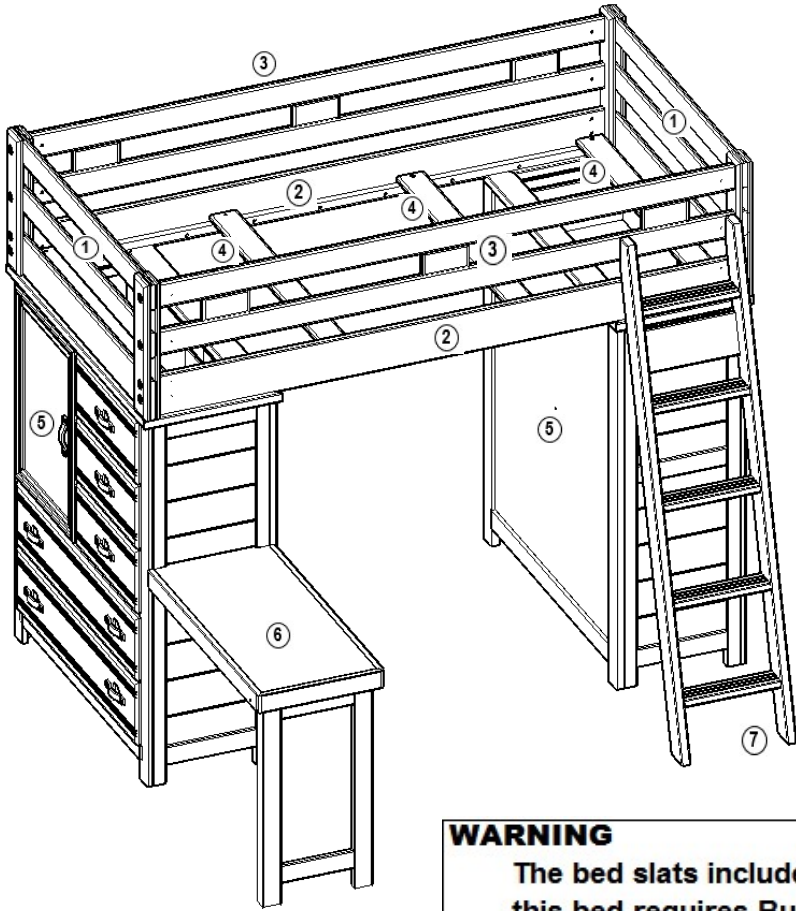
- Read all instructions before assembling bunk bed and keep these instructions for future reference.
- Before each usage or assembly, inspect bunk bed for damaged hardware, loose joints, missing parts, or sharp edges. DO NOT Use bunk bed if any parts are missing or broken.
- DO NOT Use substitute parts. Contact your local Rooms To Go or visit www.ROOMSTOGO.COM for replacement parts and instructional literature if needed.
- Follow the information on the warnings appearing on the upper bunk end structure and on the carton, DO NOT REMOVE WARNING LABEL FROM BED.
- Always use the recommended size mattress or mattress supports, or both to help prevent the likelihood of entrapment or falls.
- Ensure thickness of mattress and foundation combine does not exceed **10 inches (255mm)** and mattress surface is at least **5 inches (127mm)** below upper edge of guardrails.
- Do not allow children under 6 years of age to use the upper bunk.
- Periodically check and ensure that the guardrail, ladder, and other components are in their proper position, free from damage, and that all connectors are tight.
- Do not allow horseplay on or under the bed and prohibit jumping on the bed.
- Limit top bunk use to one person.
- Always use the ladder for entering and leaving the upper bunk.
- Use of night light may provide added safety precaution for a child using the upper bunk.
- Always use guardrails on both long sides of the upper bunk. If the bunk bed will be placed next to the wall, the guardrail that runs the full length of the bed should be placed against the wall to prevent entrapment between the bed and wall.
- The use of water or sleep flotation mattress is prohibited.
- This bunk bed meets all the requirements of ASTM 1427-19.



STRANGULATION HAZARD:

Never attach or hang items to any part of the bunk bed that are not designed for use with the bed; for example, but not limited to, hooks, belts, and jump ropes.


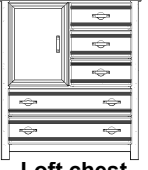






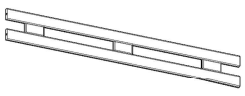



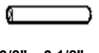
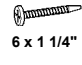

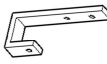
PARTS LIST



3744440P TWIN LOFT W/2 CHEST CHARCOAL		
RTG SKU #	STYLE #	ITEM DESCRIPTION
35740403	40G-705	TWIN LOFT END
35740403	40G-705	TWIN LOFT END
36740404	40G-732	4 PC RAILS(2 GUARD & 2 SIDE RAILS)
36040400	40G-711	LOFT CHEST
36040400	40G-711	LOFT CHEST
36440408	40G-721	LADDER
38000232	100-645	TWIN SLAT PACK (4)
36240404	40G-601	FOLDING DESK (Add on)

3744441P TWIN LOFT W/2 CHEST CHESTNUT		
RTG SKU #	STYLE #	ITEM DESCRIPTION
35740415	40B-705	TWIN LOFT END
35740415	40B-705	TWIN LOFT END
36740416	40B-732	4 PC RAILS(2 GUARD & 2 SIDE RAILS)
36040412	40B-711	LOFT CHEST
36040412	40B-711	LOFT CHEST
36440410	40B-721	LADDER
38000232	100-645	TWIN SLAT PACK (4)
36240416	40B-601	FOLDING DESK (Add on)

WARNING
 The bed slats included with this bed will not support a mattress alone, this bed requires Bunkie boards (sold separately)

PARTS LIST		QTY	PARTS LIST		QTY	HARDWARE LIST		QTY	TOOLS NEEDED		
1		2 Pc	5		2 Pc	A		16 Pcs	Phillips screwdriver (not included) 		
2		2 Pc	6		1 Pc	B		1 Pc	Allen wrench (included) 		
3		2 Pc				C		8 Pcs	FOLDING DESK HARDWARE		
4		4 Pc	7		2 Pc	D		4 Pcs	C		2 Pcs
						E		6 Pcs			
						F		2 Pcs			
						Ladder Hook					

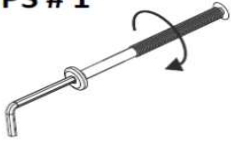
**TWO PEOPLE ARE NEEDED TO ASSEMBLE
 DO NOT TIGHTEN COMPLETELY UNTIL ALL PIECES
 ARE CONNECTED TOGETHER**

ASSEMBLY INSTRUCTIONS

TIPS : SEE ILLUSTRATION BELOW

- 1- Use the long end of the allen wrench to fasten bolts loosely and quickly.
- 2- Use the short end of the allen wrench for final tightening

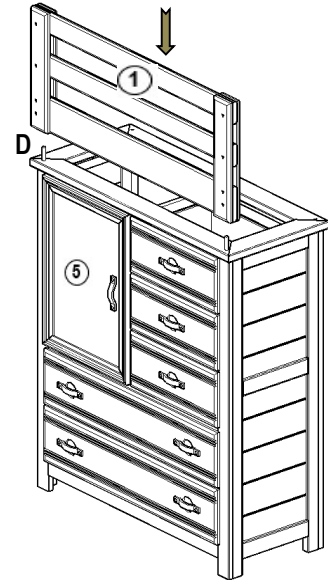
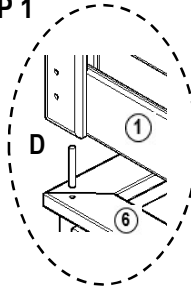
TIPS # 1



TIPS # 2

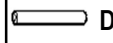
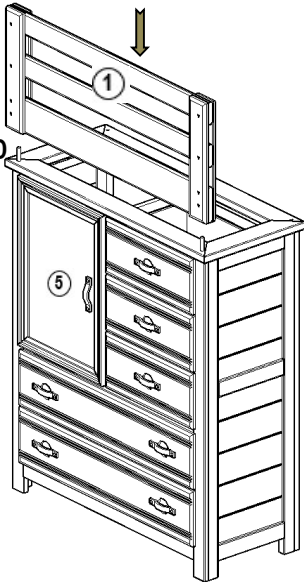
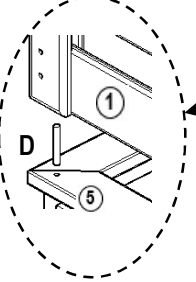


STEP 1



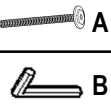
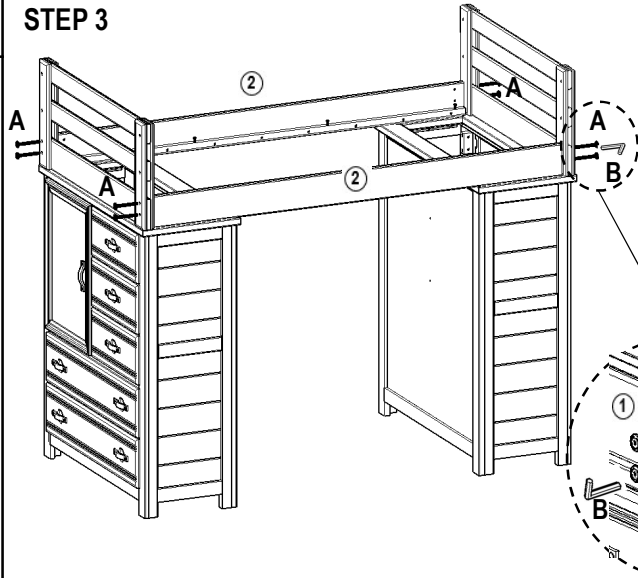
Assemble left chest and top bunk bed end.

STEP 2



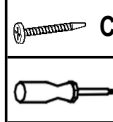
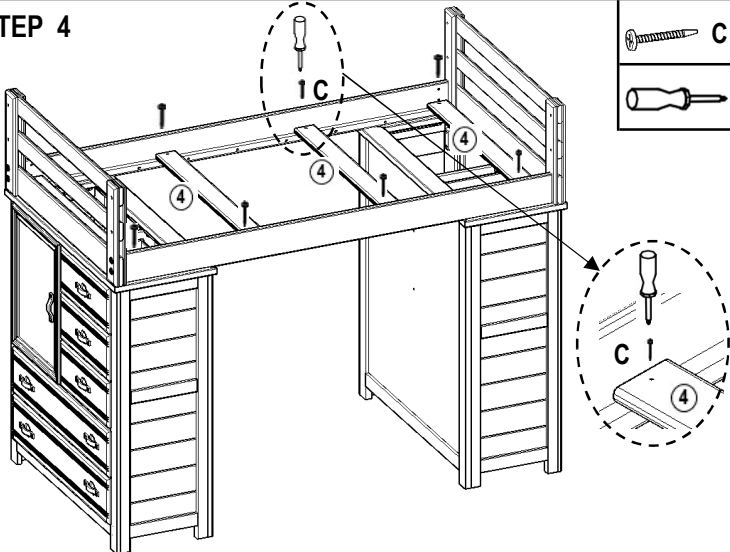
Repeat the process for the second set

STEP 3



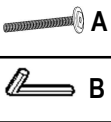
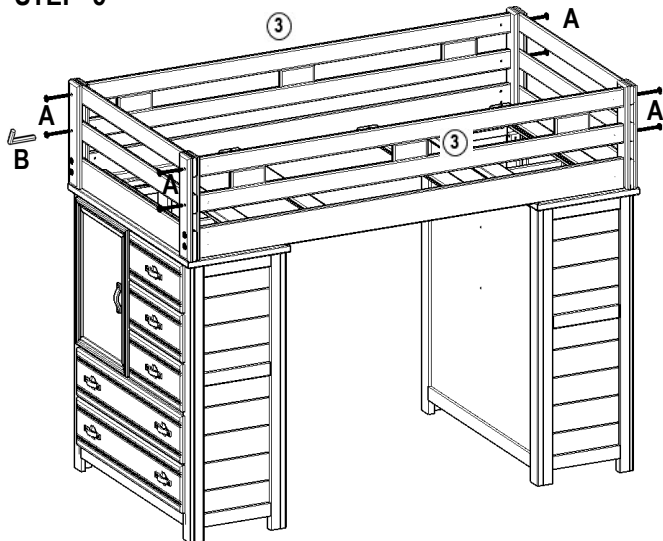
Assemble side rails.

STEP 4



Install slats, one on each end and two equally spaced in the middle, then fasten with 1 1/4" screws

STEP 5

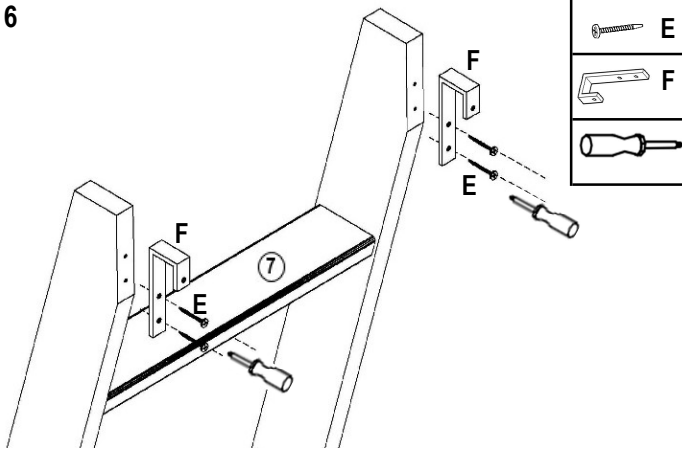


Assemble guardrails and tighten all bolts.

MAKE SURE ALL BOLTS ARE TIGHTENED COMPLETELY

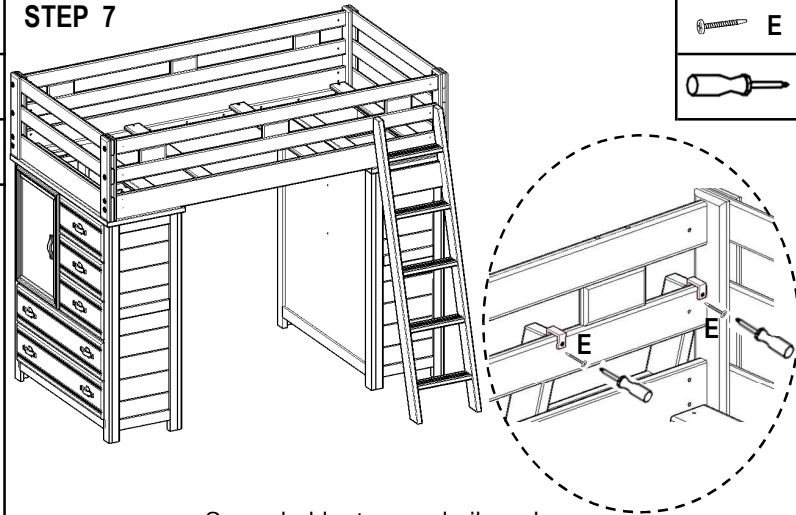
ASSEMBLY INSTRUCTIONS

STEP 6



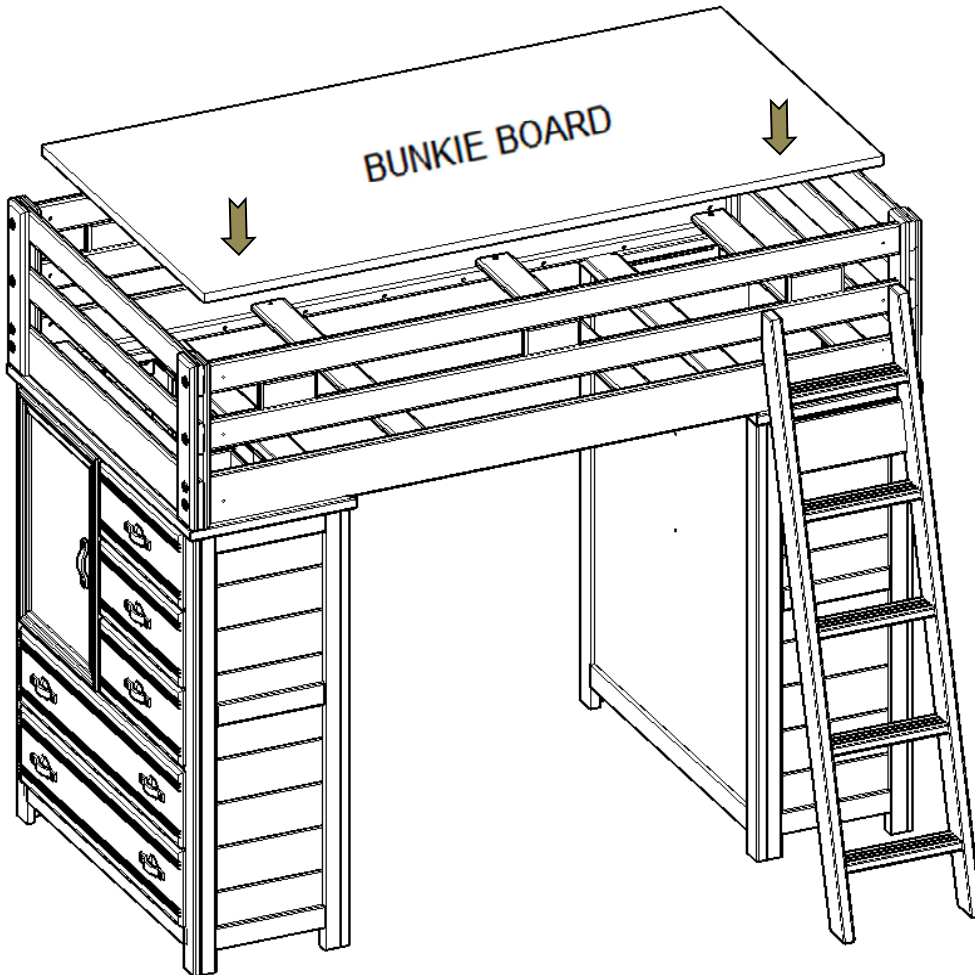
Screw ladder hooks to pre-drilled holes on top of ladder.

STEP 7



Screw ladder to guardrail as shown.

STEP 8



Place Bunkie boards (required, sold separately) on top of the slats

Use only correct mattress dimensions and Bunkie board:

Twin size mattress- 74" - 75" long and 37-1/2" - 38-1/2" wide

Twin size Bunkie board- 74" long and 37-1/2" wide

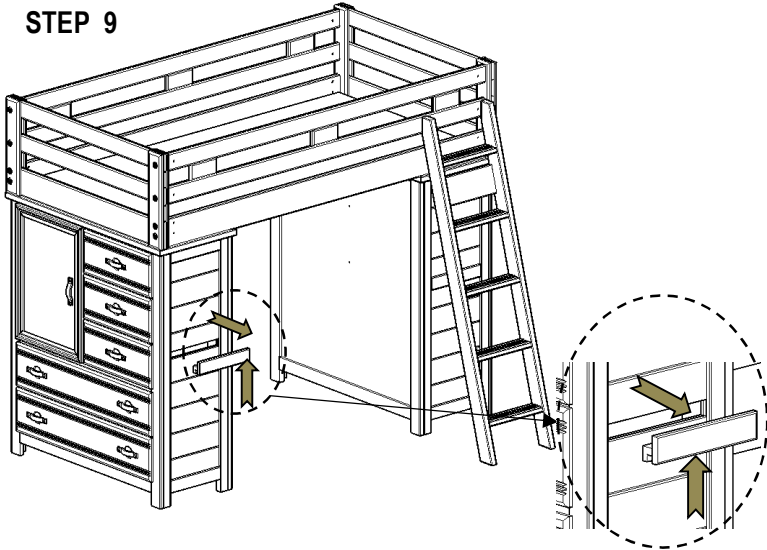
Full size mattress- 74" - 75" long and 52-1/2" - 53-1/2" wide

Full size Bunkie board- 74" long and 52-1/2" wide

PLEASE CONTACT YOUR RETAIL STORE WITH SERVICE OR PARTS REPLACEMENT REQUEST

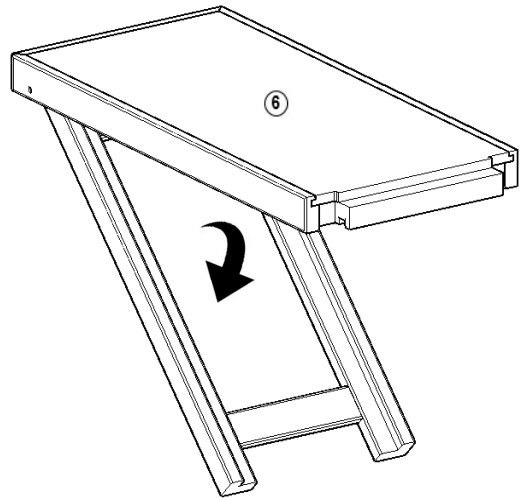
ASSEMBLY INSTRUCTIONS

STEP 9



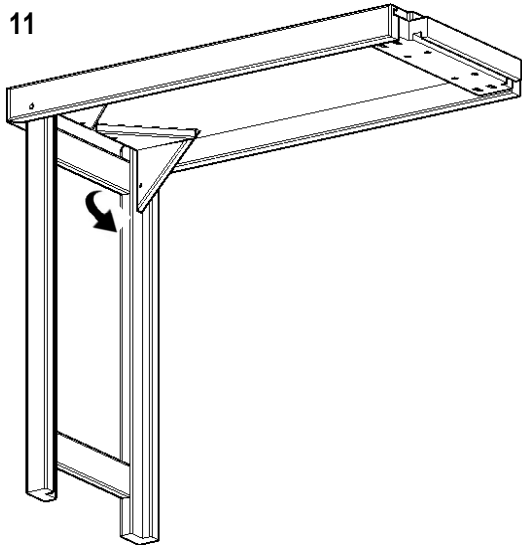
Remove center molding by lifting up then pulling out
DO NOT THROW AWAY SAVE IT FOR FUTURE USE

STEP 10



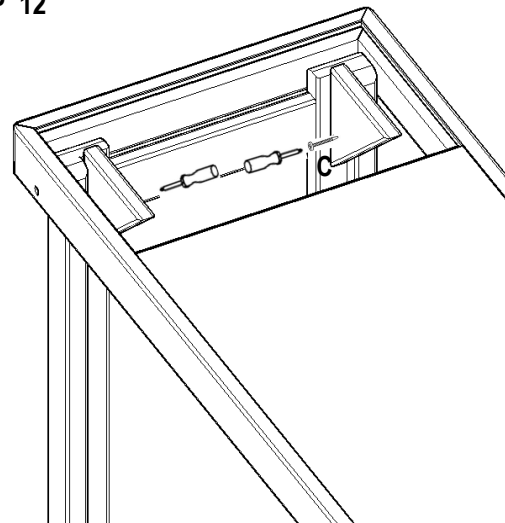
Unfold desk leg and look for hardware pack inside desk box.

STEP 11



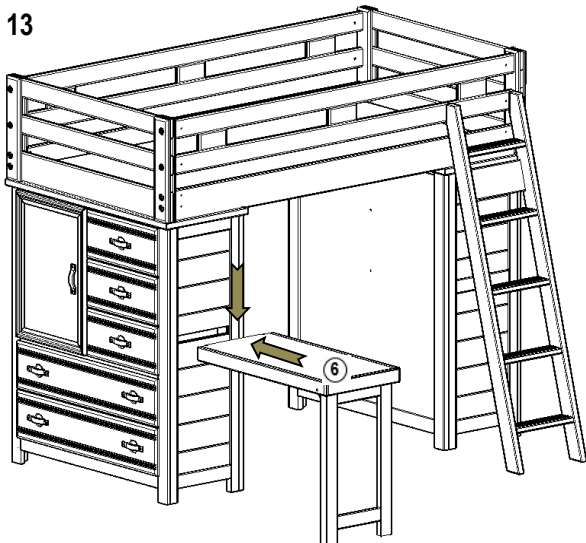
Unfold corner supports

STEP 12



Secure each corner block with 1 1/4" screw
(from desk box hardware pack) in the pre-bore hole.

STEP 13



Place folding desk by sliding into the opening of loft chest
then push down

