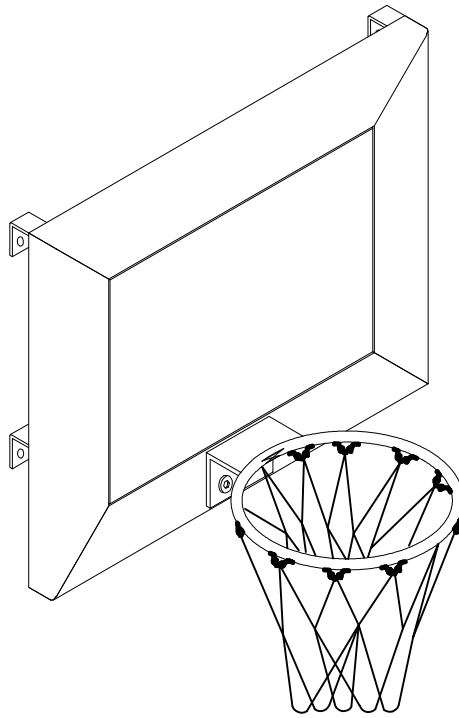


ROOMS TO GO
KIDS
 Manufactured for Rooms To Go Kids

SANTA CRUZ
1497-1597 BUNK BED & STEP BUNK BED
BASKETBALL HOOP & WOOD BOARD

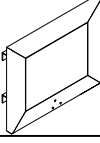



CHERRY BASKETBALL HOOP & WOOD BOARD		
RTG SKU	STYLE#	ITEM DESCRIPTION
37714979	1497-58	BASKETBALL HOOP & WOOD BOARD

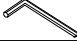


GRAY BASKETBALL HOOP & WOOD BOARD		
RTG SKU	STYLE#	ITEM DESCRIPTION
37714981	1597-58	BASKETBALL HOOP & WOOD BOARD

**DO NOT USE SUBSTITUTE PARTS. PLEASE CONTACT YOUR RETAIL STORE OR
 WWW.ROOMSTOGO.COM WITH SERVICE OR PARTS REPLACEMENT REQUEST**

COMPONENT LIST

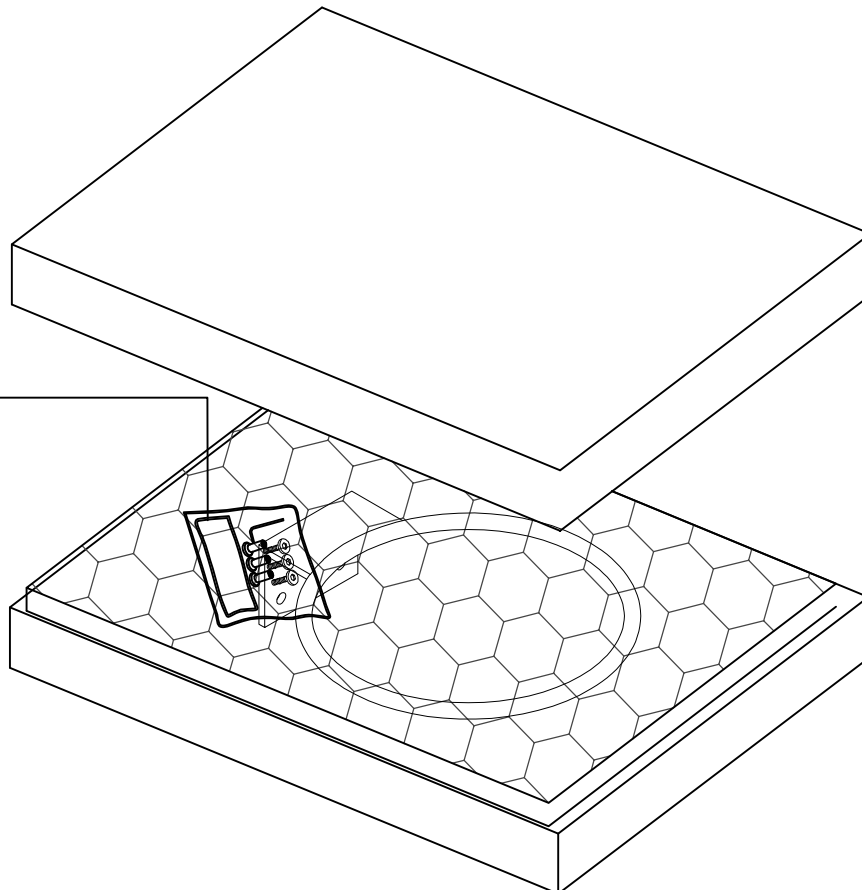
NO.	DESCRIPTION	PARTS PHOTO	QTY FOR BUNK BED	QTY FOR STEP BUNK BED
①	WOOD BACKBOARD WITH 4 HOOKS		1	1
②	HOOP & NET		1	1

HARDWARE LIST

STEP NO.	PART NO.	PART	DESCRIPTION	SIZE	QTY
3	J		Allen Key	M4	2
2	A		Bolt	1/4" x 20 x 25mm	3
1	B		T Nut	1/4"*15mm	3

HARDWARE PACK LOCATIONS: BASKETBALL HOOP & WOOD BOARD
1497/1597-58 SKU: 37714979/37714981

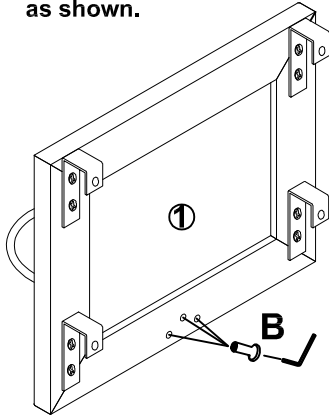
1497/1597-58
 HARDWARE
 PACK LOCATION



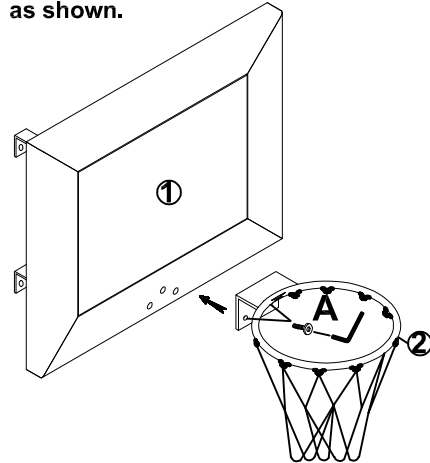
Thank you for purchasing this quality product. Be sure to check all packing material carefully for small parts which may have come loose inside the carton during shipment. Identify and count all parts and compare with the parts list. Read all instructions before assembling furniture and keep these instructions for future reference.

ASSEMBLY INSTRUCTION

Step 1 Attach hoop & net to wood board.
Insert T Nuts in the back side of board
as shown.



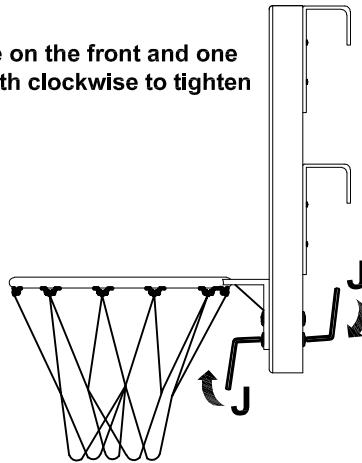
Step 2 Attach hoop & net to wood board.
Insert Bolts in the front side of board
as shown.



Step 3

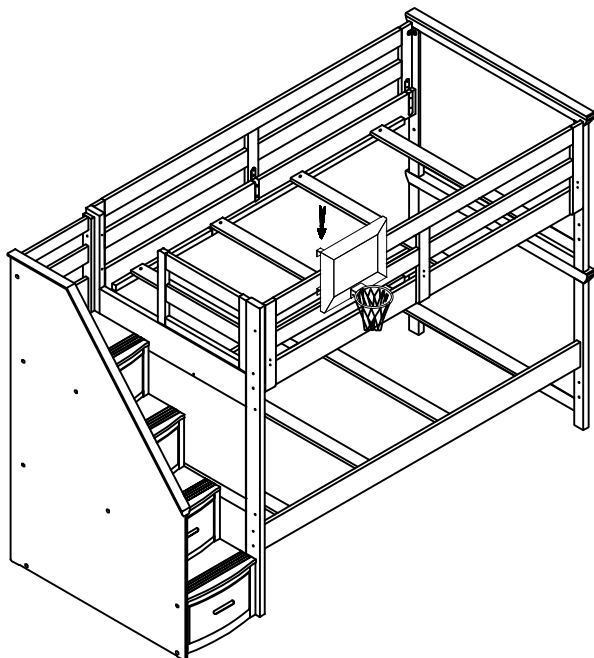
ATTENTION:

Please use both Allen Keys simultaneously, one on the front and one on the back, as shown in step 1 & 2 and turn both clockwise to tighten the bolts and T-nuts.



Step 4 Attach basketball wood board to
STEP BUNK BED.

COMPLETED



Step 4 Attach basketball wood board to
REGULAR BUNK BED.

COMPLETED

