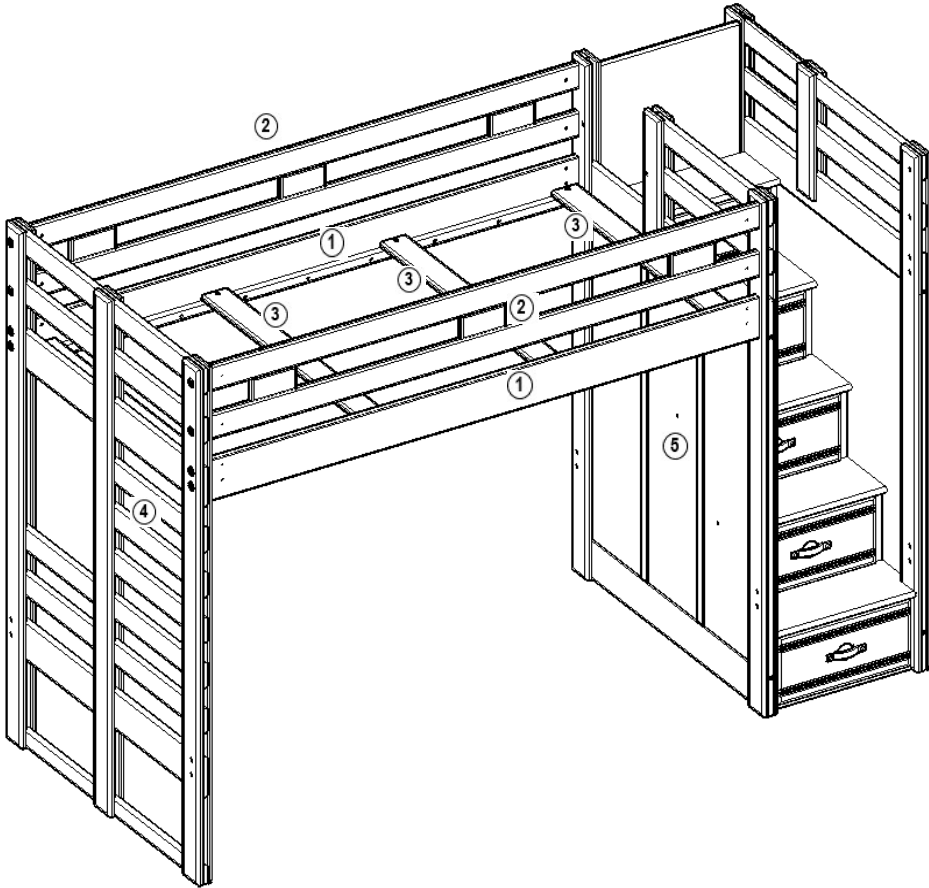






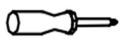




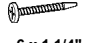
# PARTS LIST



3774040P TWIN LOFT CHARCOAL		
RTG SKU #	STYLE #	ITEM DESCRIPTION
35840405	40G-160	STEP STORAGE UNIT
35540409	40G-706	1 PC BUNKBED END TWIN
36740404	40G-732	4 PC RAILS(2 GUARD & 2 SIDE RAILS)
38000232	100-645	TWIN SLAT PACK (4)

3774041P TWIN LOFT CHESTNUT		
RTG SKU #	STYLE #	ITEM DESCRIPTION
35840417	40B-160	STEP STORAGE UNIT
35540411	40B-706	1 PC BUNKBED END TWIN
36740416	40B-732	4 PC RAILS(2 GUARD & 2 SIDE RAILS)
38000232	100-645	TWIN SLAT PACK (4)

**WARNING**  
 The bed slats included with this bed will not support a mattress alone, this bed requires Bunkie boards (sold separately)

PARTS LIST		QTY	PARTS LIST		QTY	HARDWARE LIST		QTY	TOOLS NEEDED	
1		2 Pcs	4		2 Pcs	A		16 Pcs	Phillips screwdriver (not included)	
2		2 Pcs				5/16"-18 x 3/8" Bolt				
3		4 Pcs	5		1 Pc	B		1 Pc	5 mm Hex key (included)	
						5 mm Hex key				
						C		8 Pcs		
							6 x 1 1/4" Drywall screw			

**TWO PEOPLE ARE NEEDED TO ASSEMBLE  
 DO NOT TIGHTEN COMPLETELY UNTIL ALL PIECES  
 ARE CONNECTED TOGETHER**

# ASSEMBLY INSTRUCTIONS

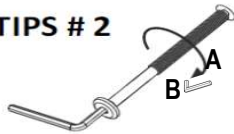
**TIPS : SEE ILLUSTRATION BELOW**

- 1- Use the long end of the allen wrench to fasten bolts loosely and quickly.
- 2- Use the short end of the allen wrench for final tightening

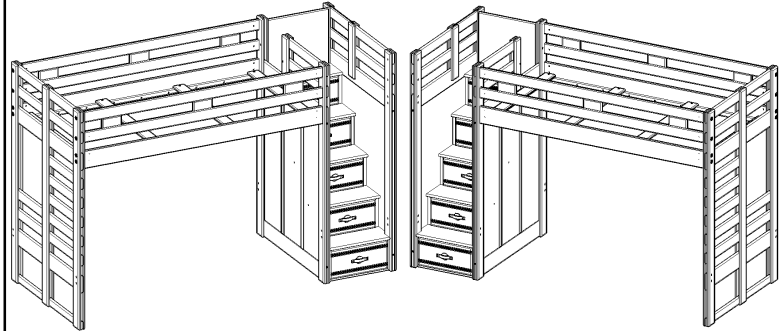
**TIPS # 1**



**TIPS # 2**



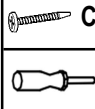
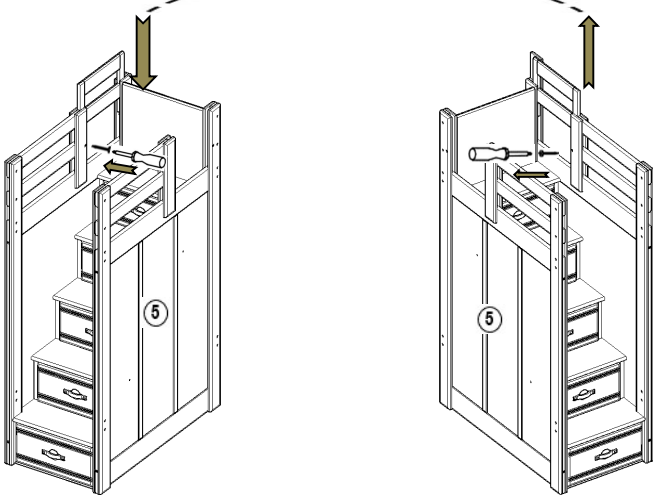
FIRST DETERMINE THE CONFIGURATION THAT FITS YOUR ROOM



STAIRS ON THE RIGHT  
(Factory setting)

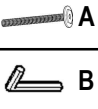
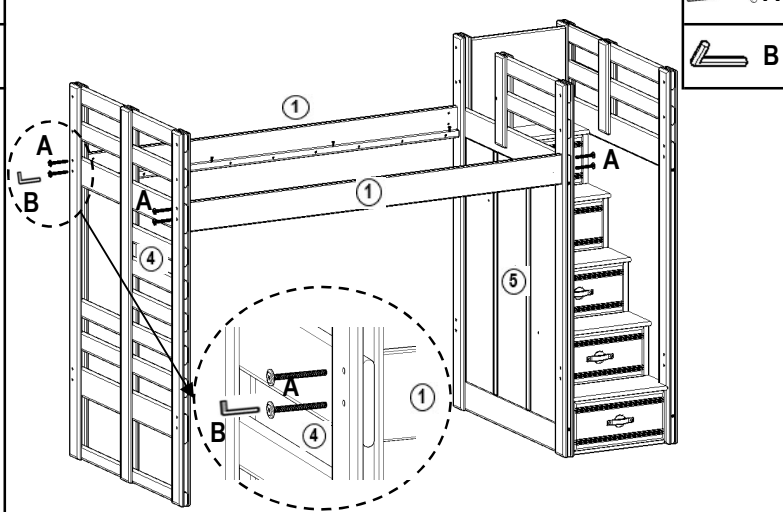
STAIRS ON THE LEFT

**STEP 1**



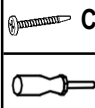
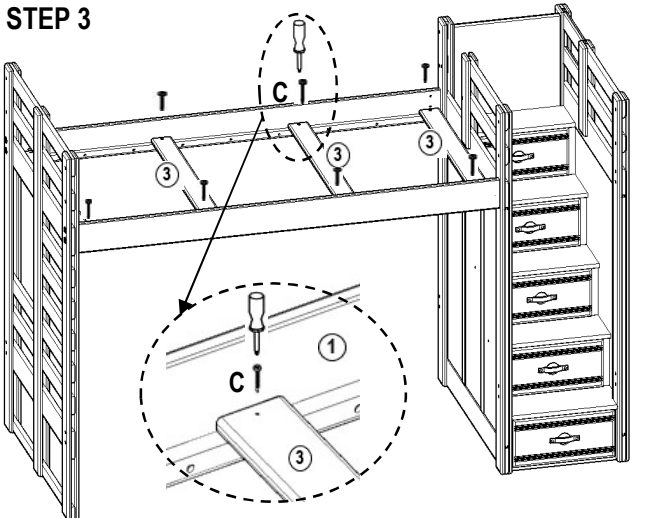
For stairs on the left, first remove the screw, then remove the panel and install it on the other side and secure with the screw.

**STEP 2**



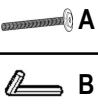
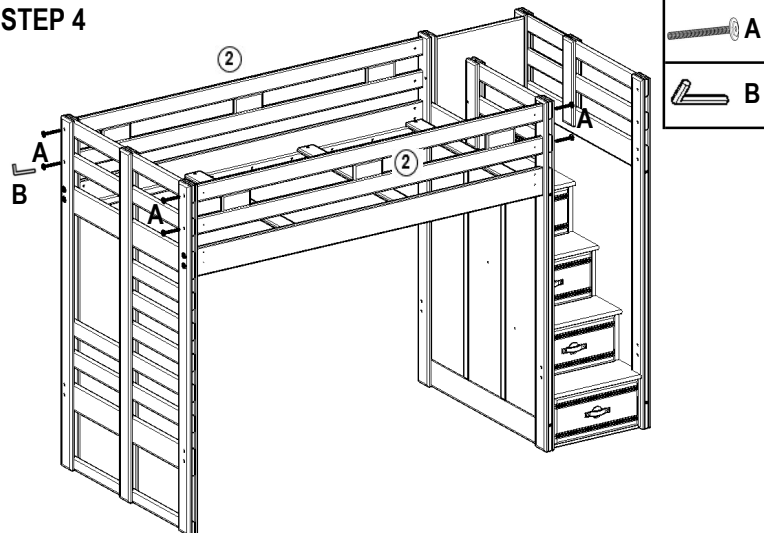
Assemble side rails.

**STEP 3**



Install slats, one on each end, two equally spaced in the middle, then fasten with 1 1/4" screws.

**STEP 4**

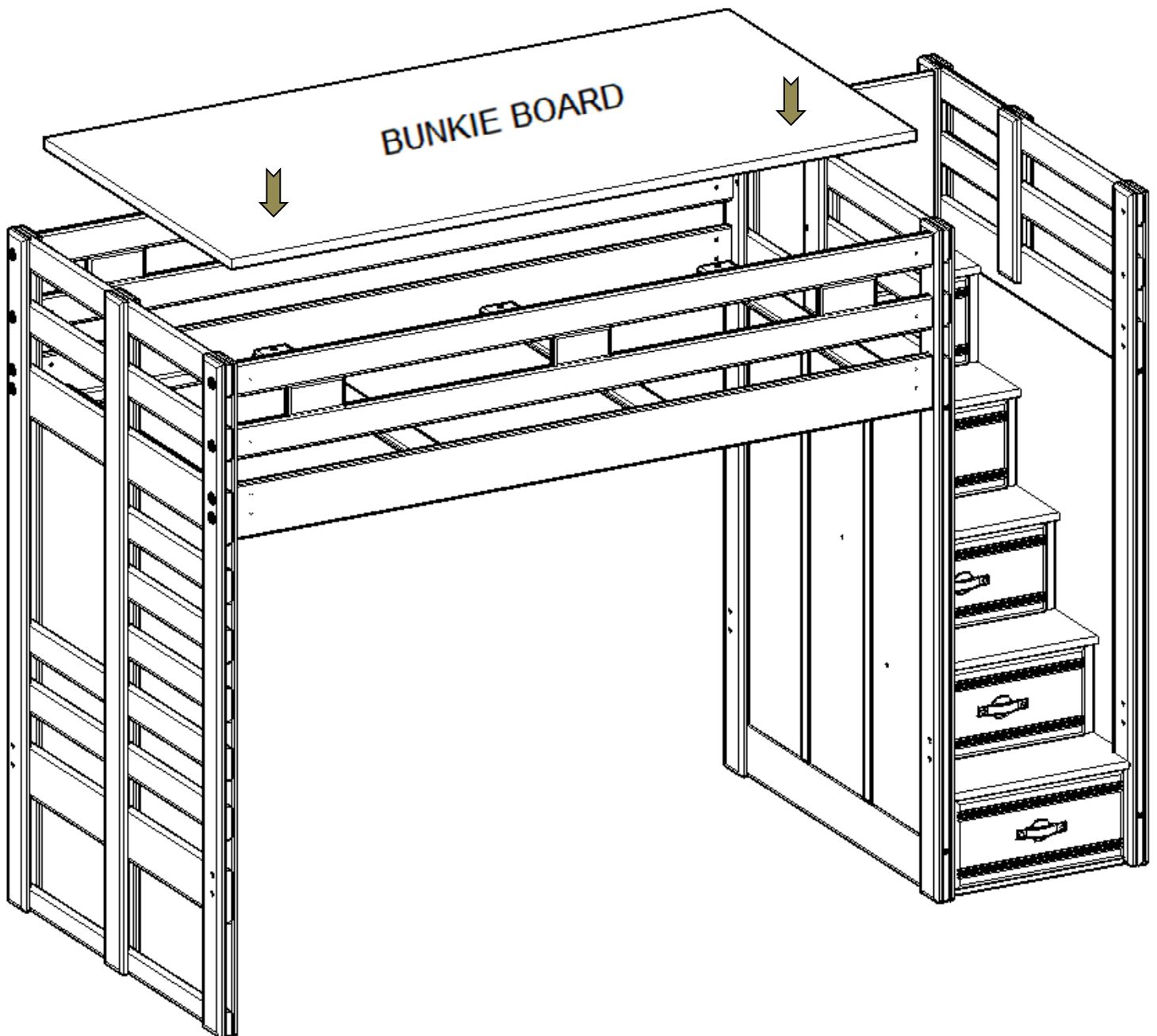


Assemble guardrails and tighten all bolts.

**MAKE SURE ALL BOLTS ARE TIGHTENED COMPLETELY**

# ASSEMBLY INSTRUCTIONS

## STEP 5



**Place Bunkie boards (required, sold separately) on top of the slats**

**Use only correct mattress dimensions and Bunkie board:**

Twin size mattress- 74" - 75" long and 37-1/2" - 38-1/2" wide

Twin size Bunkie board- 74" long and 37-1/2" wide

Full size mattress- 74" - 75" long and 52-1/2" - 53-1/2" wide

Full size Bunkie board- 74" long and 52-1/2" wide

PLEASE CONTACT YOUR RETAIL STORE WITH SERVICE OR PARTS REPLACEMENT REQUEST