

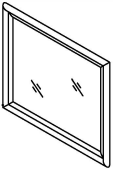




Assembly Instructions





GLOB 1497/1597-01 Mirror

SKU# 34014972/34014984


GLOB 1497/1597-03A 8-Drawer Dresser SKU# 37814971/37814983

Parts list			Q'ty
a		Mirror	1pc
b		Mirror Bracket	2pcs
c		8-Drawer Dresser	1pc

Hardware list 1

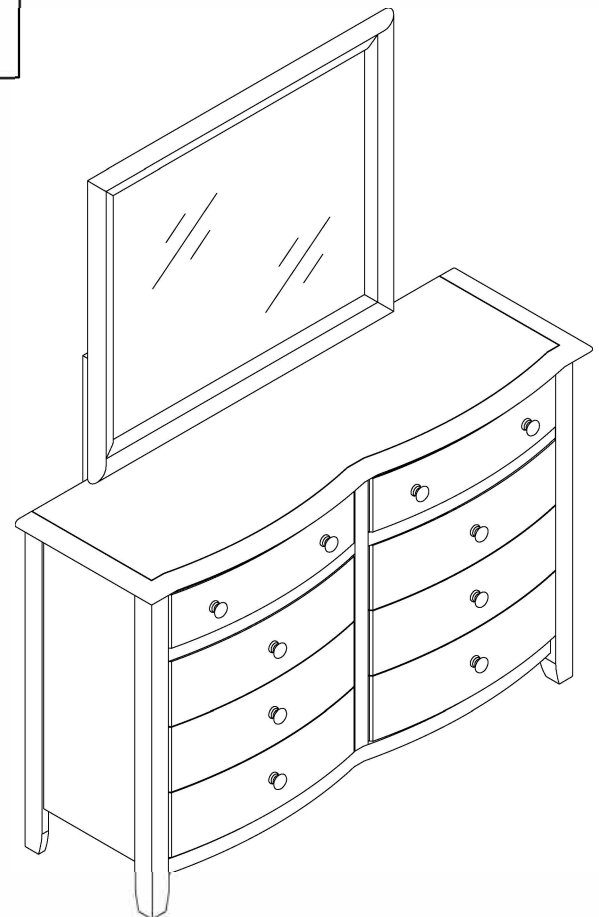
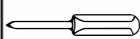
Step	Code	Hardware	Q'TY
	A	Allen key 4mm 	1 pc
2	B	Bolt 1/4"x20x1-1/2" 	8pcs
2	C	Spring Washer 1/4"xφ11x2mmT 	8pcs
2	D	Flat Washer 1/4"xφ19x2mmT 	8pcs

Hardware list 2

Step	Code	Hardware	Q'TY
3	E	Furniture tipping restraint (Customer to assemble) 	1set

TOOLS REQUIRED (NOT PROVIDED)

PHILLIPS SCREWDRIVER



Hardware Pack Location(s):

- Hardware list 1 pack in GLOB 1497/1597-01 Mirror SKU# 34014972/34014984
- Hardware list 2 pack in GLOB 1497/1597-03A 8-Drawer Dresser SKU# 37814971/37814983

Assembly Instructions

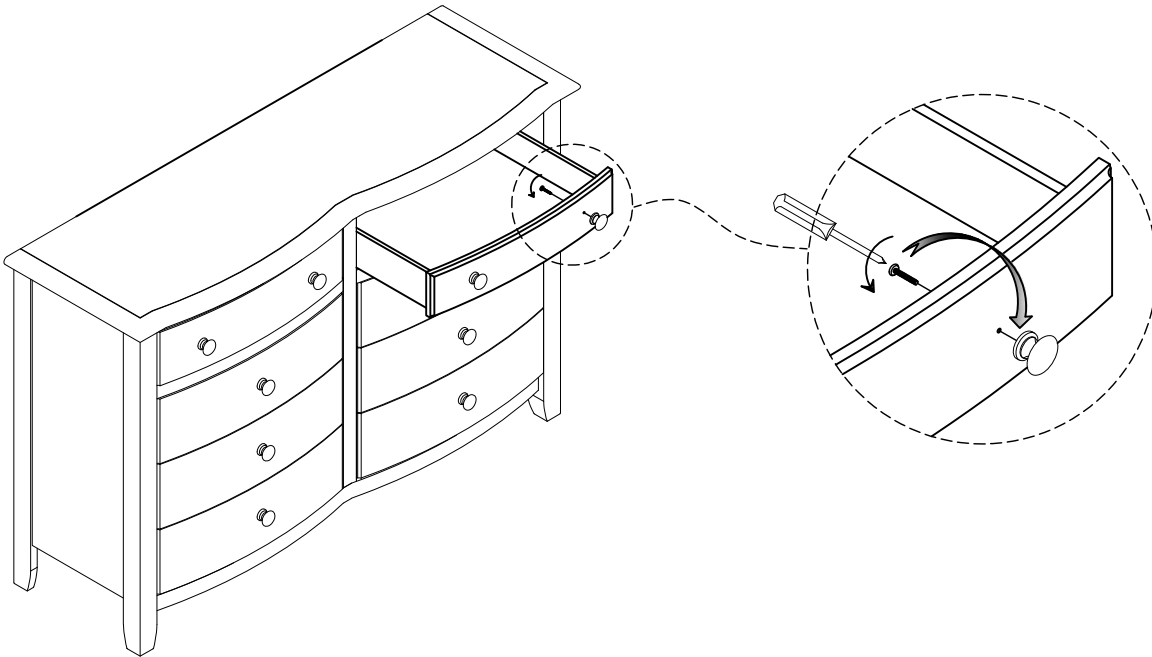
GLOB 1497/1597-01 Mirror

SKU# 34014972/34014984

GLOB 1497/1597-03A 8-Drawer Dresser SKU# 37814971/37814983

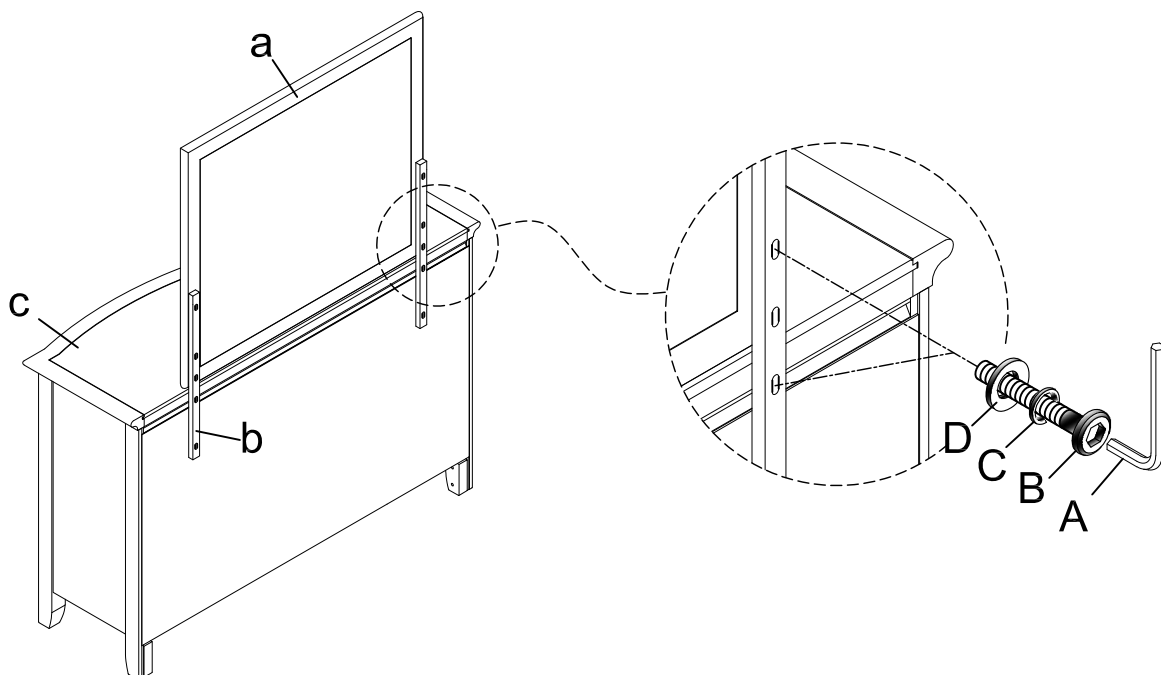
***Caution: Please read all instructions carefully before starting the assembly process. These parts are cumbersome and heavy. Therefore, two people are recommended in order to prevent personal injury and ensure the parts are not damaged during the assembly.

STEP 1



Screw the knob back to the drawer front.

STEP 2



Assemble Mirror to the Top of Dresser.



Assembly Instructions

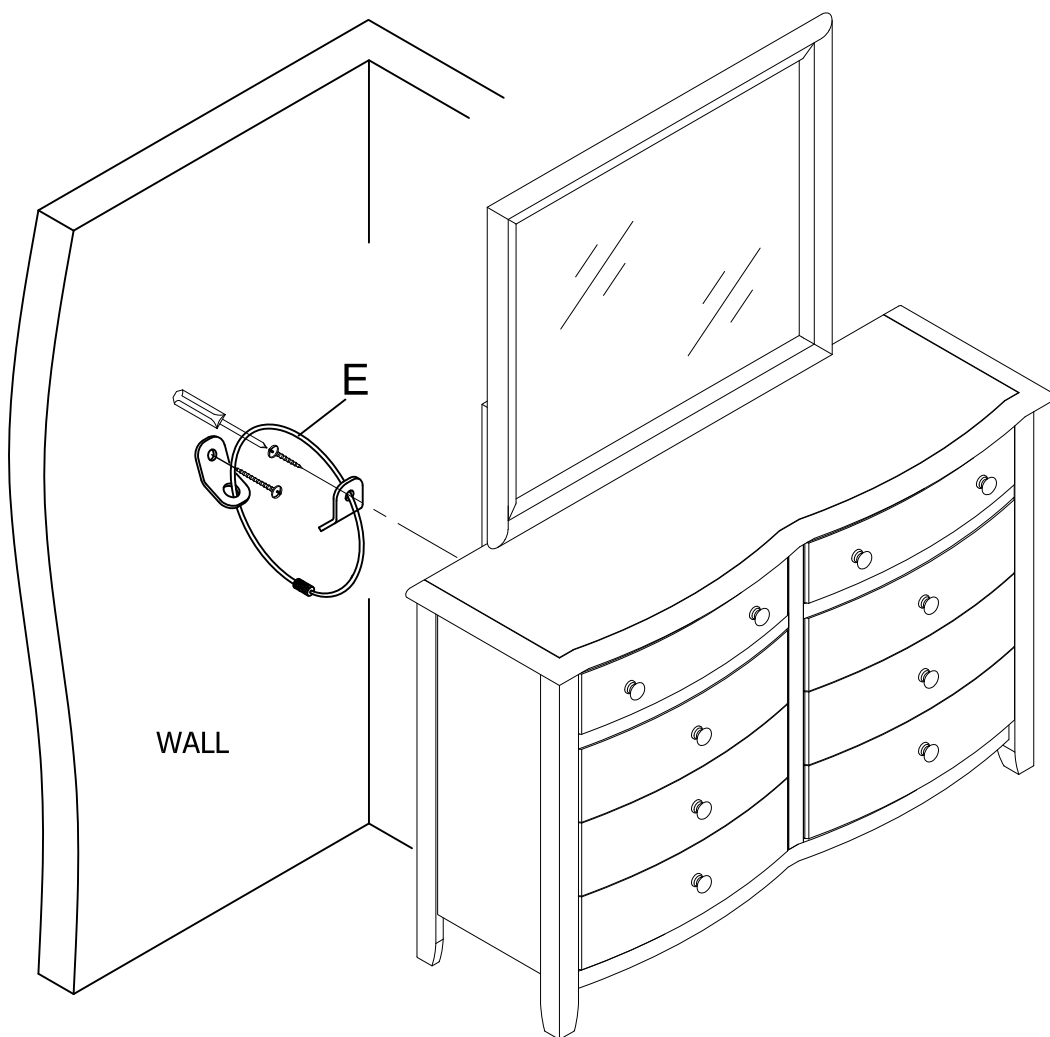
GLOB 1497/1597-01 Mirror

SKU# 34014972/34014984

GLOB 1497/1597-03A 8-Drawer Dresser SKU# 37814971/37814983


***Caution: Please read all instructions carefully before starting the assembly process. These parts are cumbersome and heavy. Therefore, two people are recommended in order to prevent personal injury and ensure the parts are not damaged during the assembly.

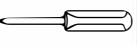
STEP 3

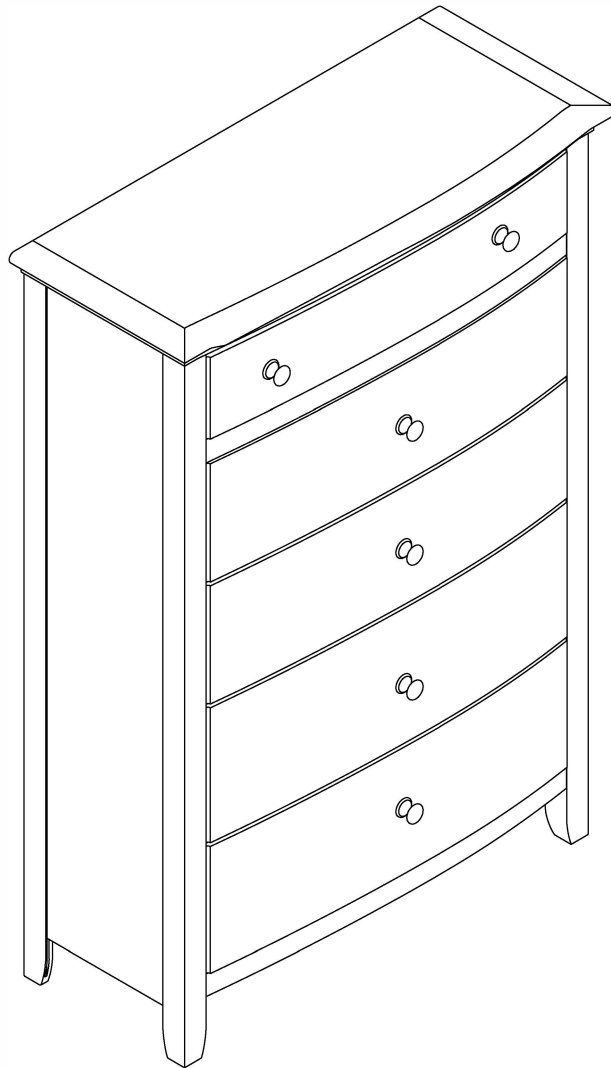


Assembly Instructions

GLOB 1497/1597 -05A 5-DRAWER CHEST SKU# 37914973/37914985

Step	Code	Hardware	Q'TY
2	A	Furniture tipping restraint (Customer to assemble) 	1set

TOOLS REQUIRED (NOT PROVIDED)	
PHILLIPS SCREWDRIVER	



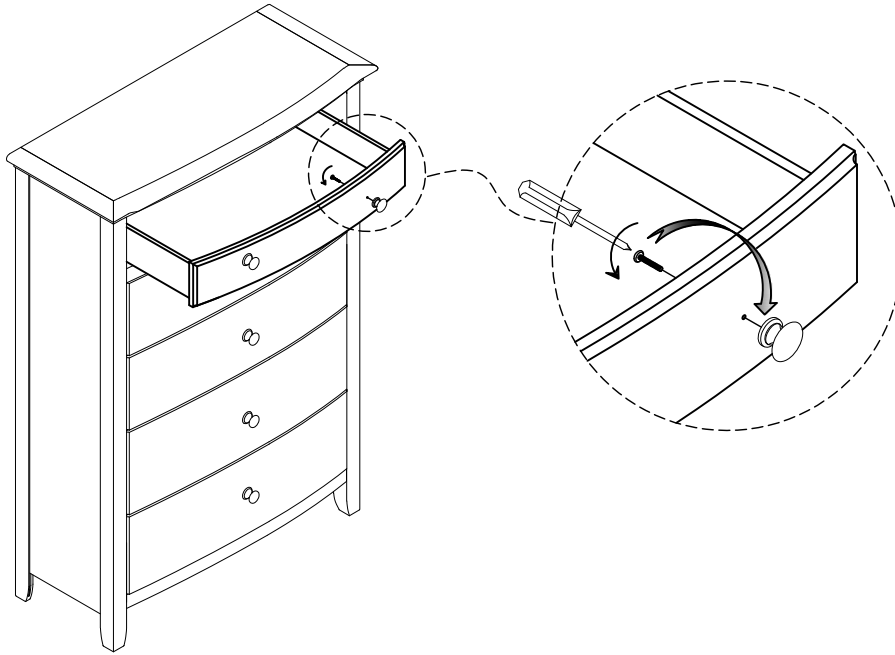
Hardware Pack Location(s):

GLOB 1497/1597 -05A 5-DRAWER CHEST SKU# 37914973/37914985

Assembly Instructions

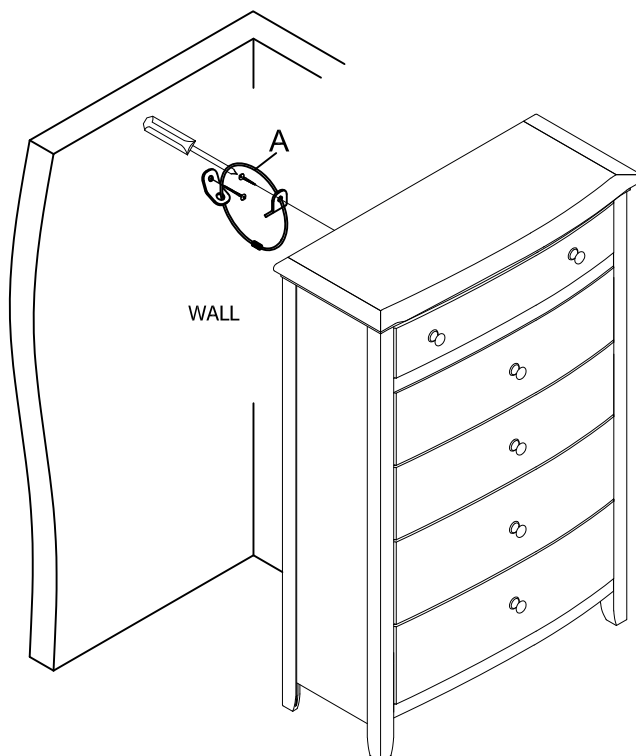
GLOB 1497/1597 -05A 5-DRAWER CHEST SKU# 37914973/37914985

STEP 1



Screw the knob back to the drawer front.

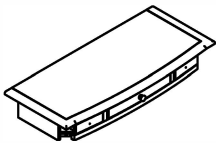

STEP 2








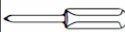


Assembly Instructions

GLOB 1497/1597-14E Desk SKU# 34414970/34414982

Parts list			Q'ty
a		Desk Top	1pc
b		Leg	4pcs

Step	Code	Hardware	Q'TY
	A	Allen key 4mm 	1 pc
2	B	Bolt 5/16"x18x2-1/4" 	8pcs
2	C	Spring Washer 5/16"xφ13x2mmT 	8pcs
2	D	Flat Washer 5/16"xφ19x2mmT 	8pcs
4	E	Furniture tipping restraint (Customer to assemble) 	1set

TOOLS REQUIRED (NOT PROVIDED)	
PHILLIPS SCREWDRIVER	



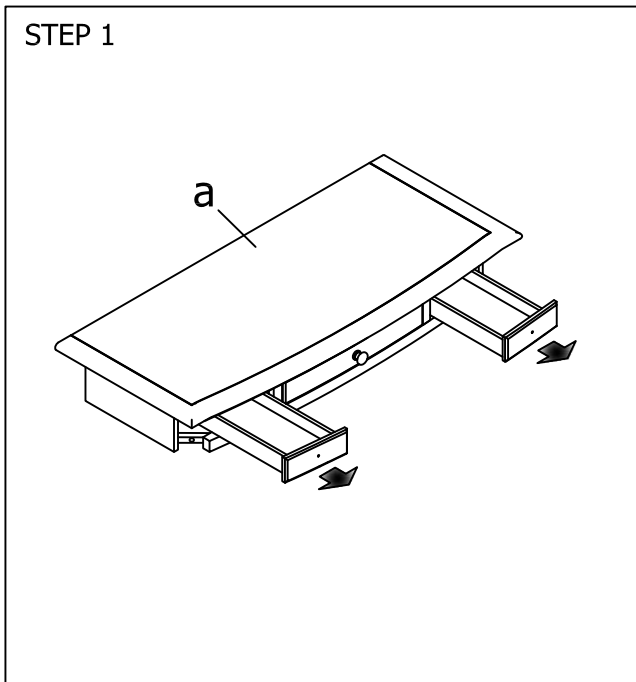
Hardware Pack Location(s):

GLOB 1497/1597-14E Desk SKU# 34414970/34414982

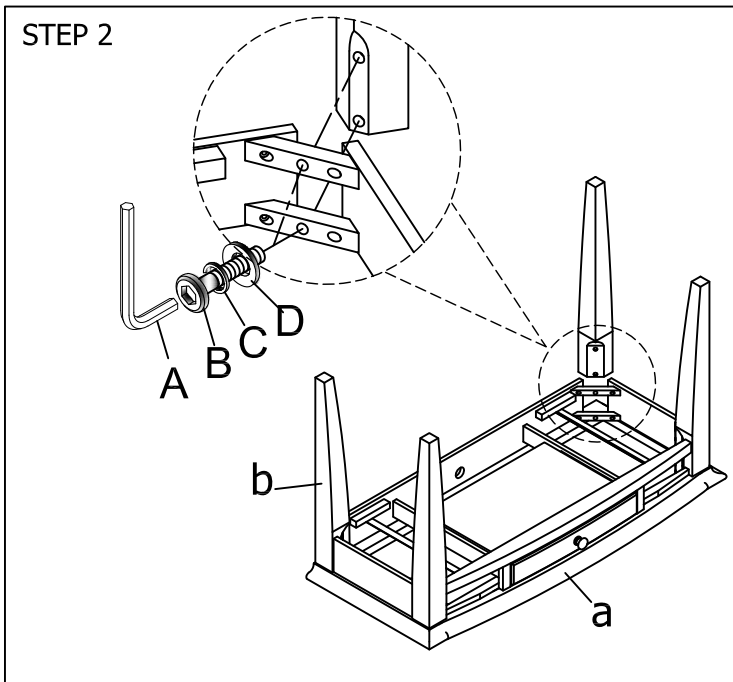
Assembly Instructions

GLOB 1497/1597-14E Desk SKU# 34414970/34414982

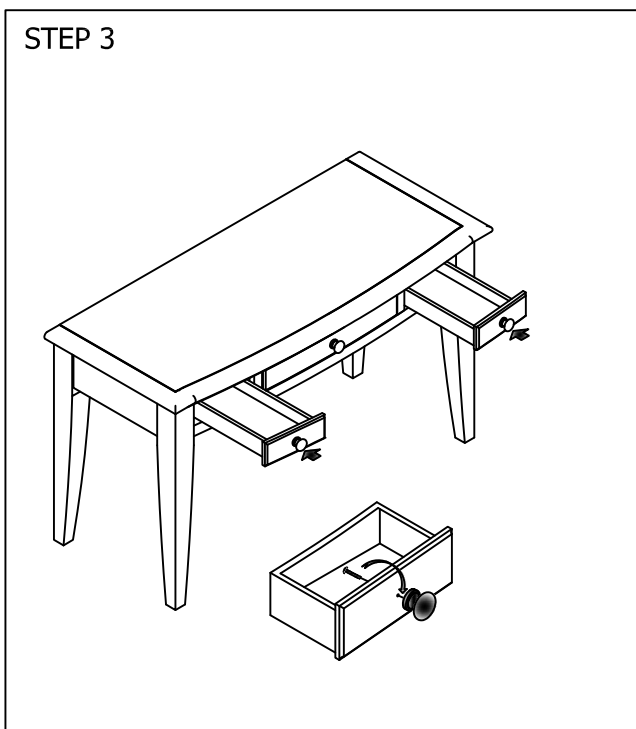
***Caution: Please read all instructions carefully before starting the assembly process. These parts are cumbersome and heavy. Therefore, two people are recommended in order to prevent personal injury and ensure the parts are not damaged during the assembly.



Remove side drawer from Desk Top



Assemble legs to Desk corners.



Screw the knob back to the drawer front. Then attach them to Desk Top.

