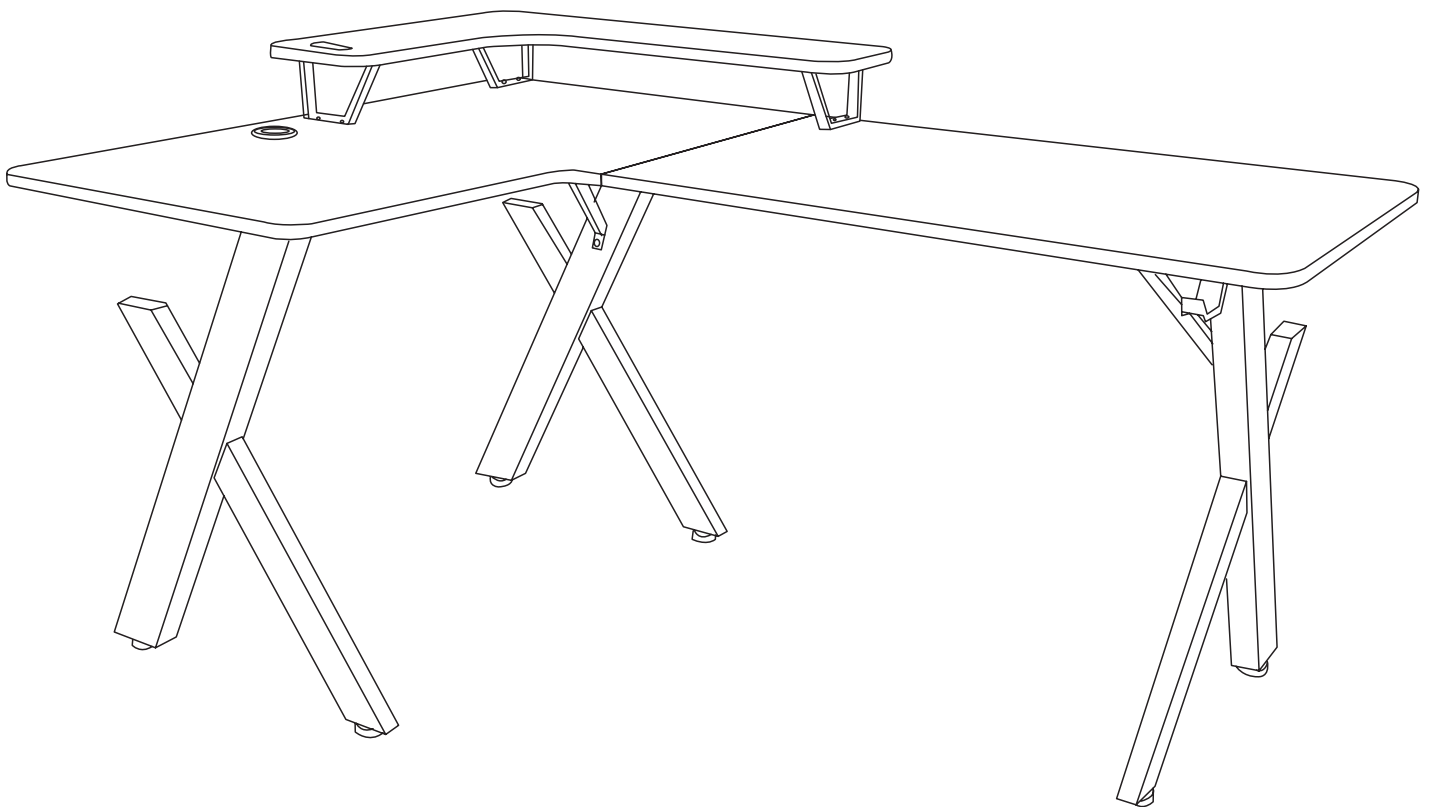




L-SHAPE GAMING DESK



VENDOR CODE: ABAY

SKU#: 37751509/37851501/37951503

NEED HELP?

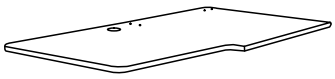

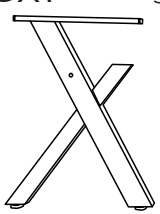
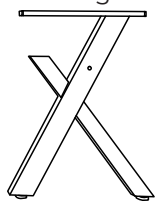
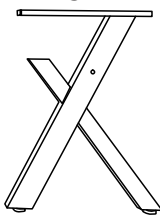
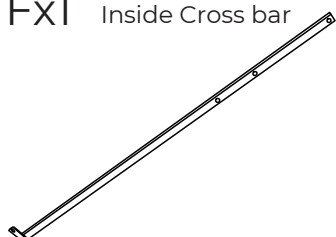
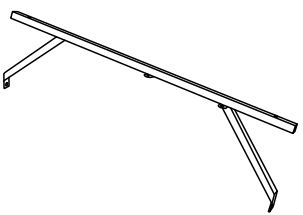


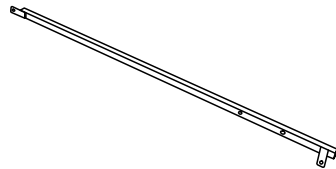

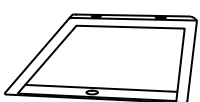
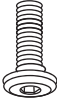
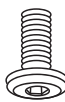
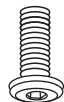
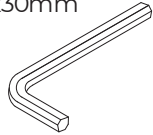


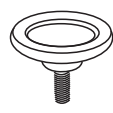
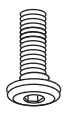
EMAIL: SUPPORT@XROCKERGAMING.COM

BESOIN D'AIDE?

COURRIEL: SUPPORT@XROCKERGAMING.COM

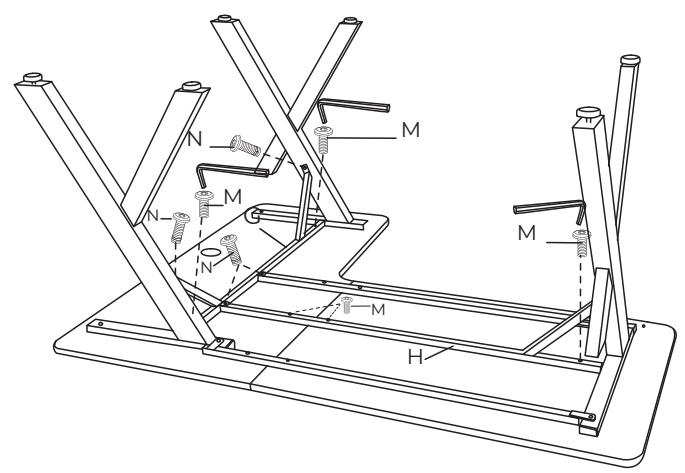
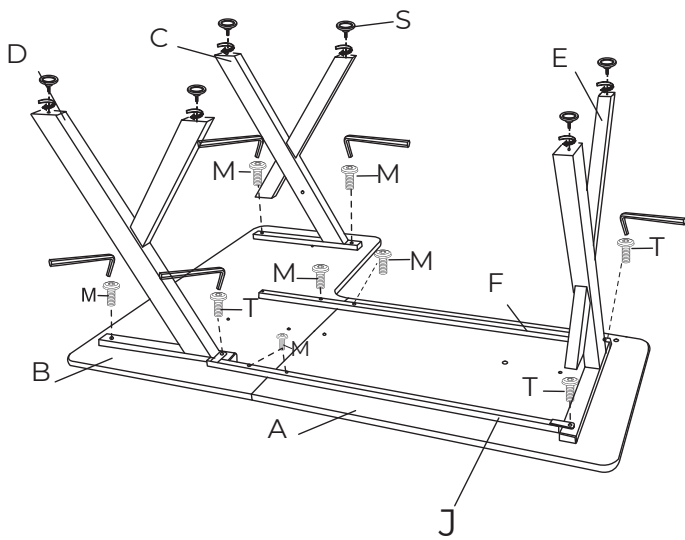
¿NECESITAS AYUDA?

CORREO ELECTRÓNICO: SUPPORT@XROCKERGAMING.COM

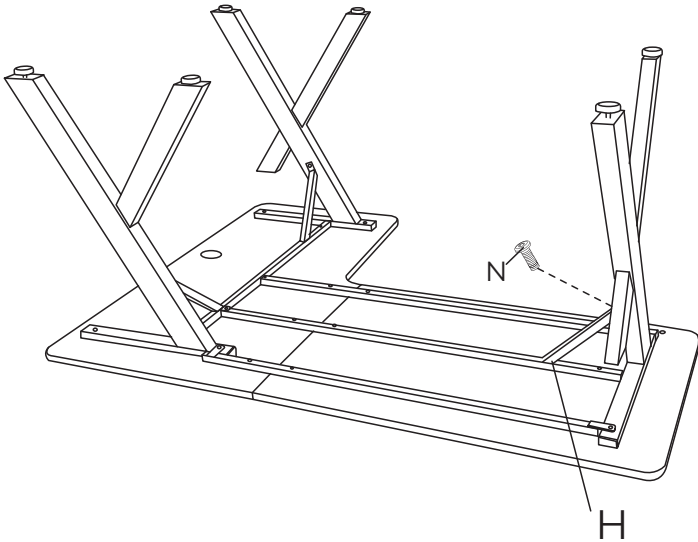
<p>Ax1 Table top</p> 	<p>Bx1 Table top</p> 	<p>Cx1 Left Leg</p> 	<p>Dx1 Hind leg</p> 
<p>Ex1 Right Leg</p> 	<p>Fx1 Inside Cross bar</p> 	<p>Gx1 Rightside cross bar</p> 	<p>Hx1 Middle Cross Bar</p> 
<p>Ix1 Wireless charger</p> 	<p>Jx1 Outside cross bar</p> 	<p>Kx1 Small Desk Top</p> 	<p>Lx3 Brackets</p> 
<p>Mx12 M6x30 (30+-1 thread)</p> 	<p>Nx8 M6x12 (7+-1 thread)</p> 	<p>Ox6 M6x20(15 +-1 thread)</p> 	<p>Px1 Allen Wrench M6x4x85x30mm</p> 
<p>Qx1 Screw for Hooks</p> 	<p>Rx1 Hooks</p> 	<p>Sx6 Levelers</p> 	<p>Tx3 M6x35 (34 +-1 thread)</p> 

① Install the Levelers on the bottom of the table leg, attach the legs and cross bars to the table tops by using allen bolt and allen wrench. Please tighten the bolts to 80%.

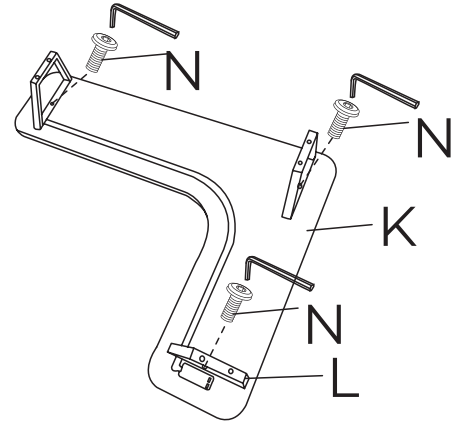
② Attach the right side cross bar and middle cross bar to the Table Tops by using Allen Bolt and Allen Wrench. Please tighten the bolts to 80%.



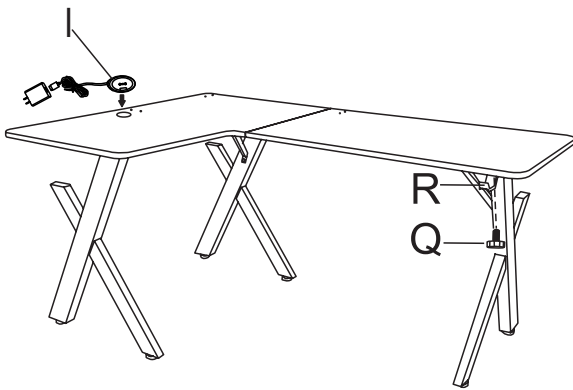
③ Please fully tighten the bolts.



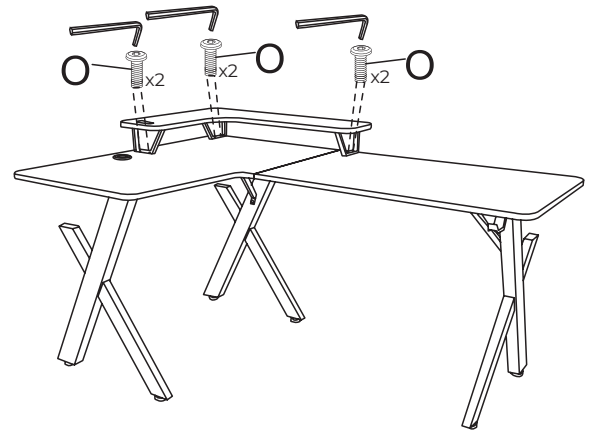
④ Attach the brackets to the Small Desk Top by using Allen Bolt and Allen Wrench. Please fully tighten the bolts.



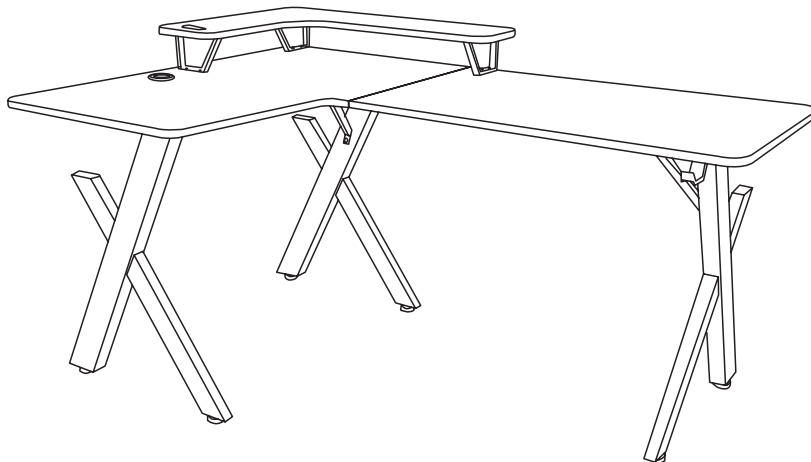
⑤ Please Push the wireless charger into the table top. Attach the hooks to the table top by using hook screw.



⑥ Attach the Small Desk Top to the table top by using Allen Bolt and Allen Wrench. Please fully tighten the bolts.



⑦ Then Assembly is finished.



To turn the LED Lights on (The control button of the light strip needs to be long pressed for three seconds to turn it on):

1. Plug the USB cord into the Qi Charger USB port on the top of the desk
2. Plug the Qi Charger into the wall using the power supply cord.

For additional details, please refer to the Qi Charging Manual included in the box

Caution: The user is cautioned that changes or modifications not expressly approved by the party responsible for compliance could void the user's authority to operate the equipment.

FCC NOTE: This equipment has been tested and found to comply with the limits for a Class B digital device, pursuant to Part 15 of the FCC Rules. These limits are designed to provide reasonable protection against harmful interference in a residential installation. This equipment generates, uses and can radiate radio frequency energy and, if not installed and used in accordance with the instructions, may cause harmful interference to radio communications. However, there is no guarantee that interference will not occur in a particular installation. If this equipment does cause harmful interference to radio or television reception, which can be determined by turning the equipment off and on, the user is encouraged to try to correct the interference by one or more of the following measures:

- Reorient or relocate the receiving antenna.
- Increase the separation between the equipment and receiver.
- Connect the equipment into an outlet on a circuit different from that to which the receiver is connected.
- Consult the dealer or an experienced radio/TV technician for help.

NEED HELP?

EMAIL: SUPPORT@XROCKERGAMING.COM

BESOIN D'AIDE?

COURRIEL: SUPPORT@XROCKERGAMING.COM

¿NECESITAS AYUDA?

CORREO ELECTRÓNICO: SUPPORT@XROCKERGAMING.COM