



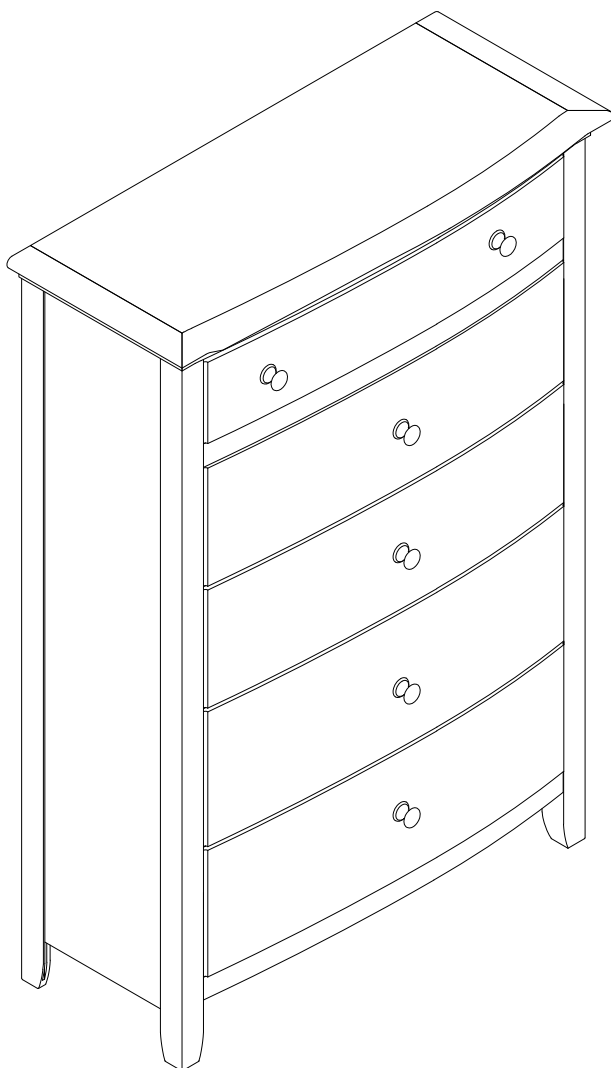


# Assembly Instructions

GLOB 1497/1597 -05A 5-DRAWER CHEST SKU# 37914973/37914985

Step	Code	Hardware	Q'TY
2	A	Furniture tipping restraint 	1set

TOOLS REQUIRED (NOT PROVIDED)	
PHILLIPS SCREWDRIVER	



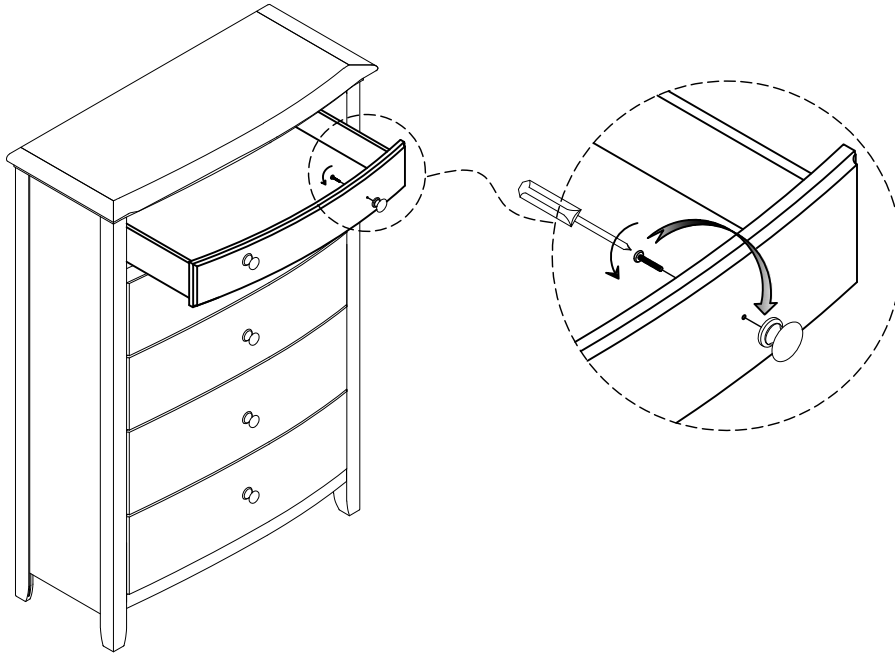
Hardware Pack Location(s):

GLOB 1497/1597 -05A 5-DRAWER CHEST SKU# 37914973/37914985

# Assembly Instructions

GLOB 1497/1597 -05A 5-DRAWER CHEST SKU# 37914973/37914985

## STEP 1



Screw the knob back to the drawer front.

## STEP 2

