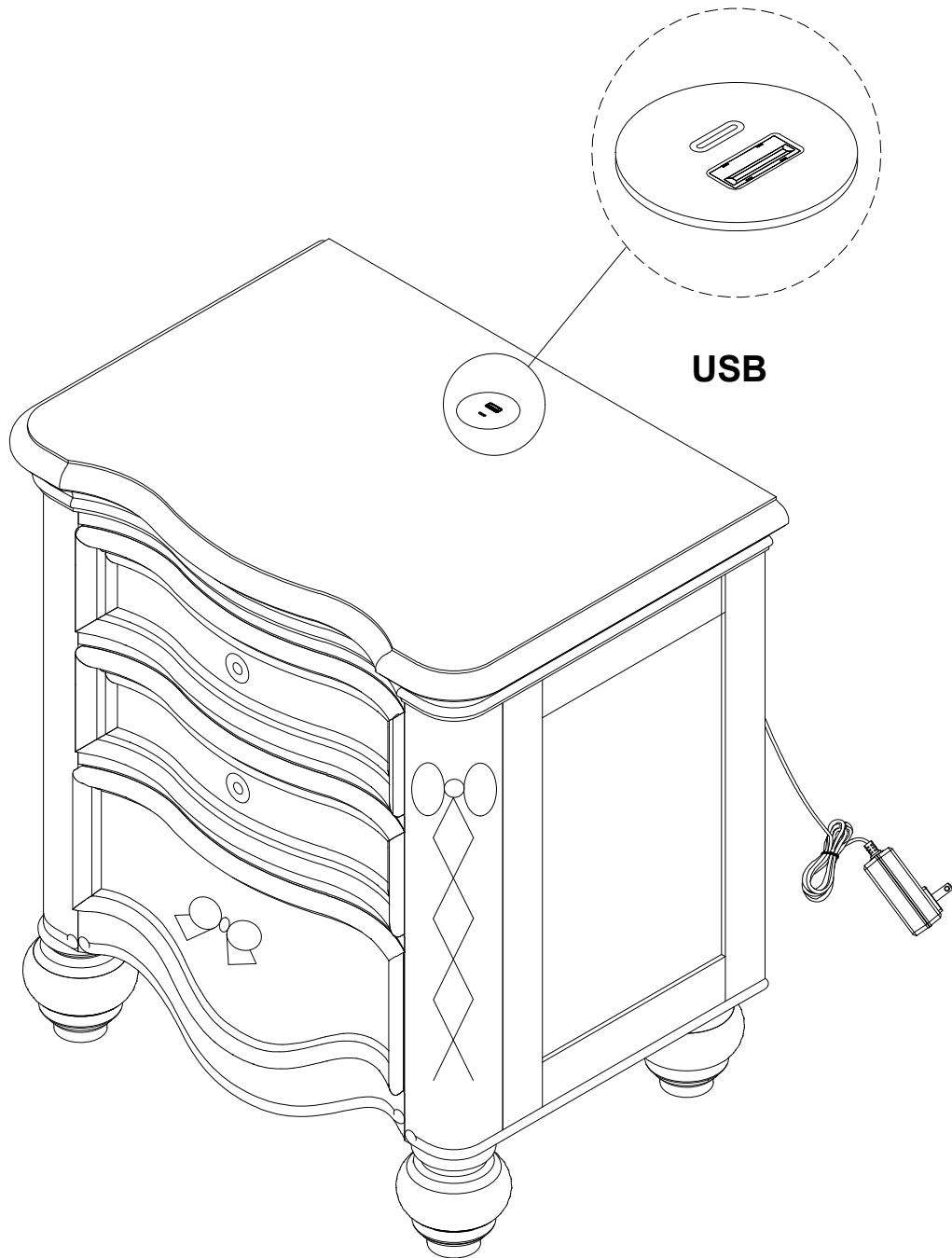


# 673

## 3 DRAWER NIGHTSTAND



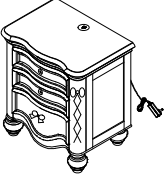



SKU #	STYLE	COLOR	ITEM DESCRIPTION
37967304	673-3A	SPARKLE WHITE	3 DRAWER NIGHTSTAND

DO NOT USE SUBSTITUTE PARTS. PLEASE CONTACT YOUR RETAIL STORE OR [WWW.ROOMSTOGO.COM](http://WWW.ROOMSTOGO.COM) WITH SERVICE OR PARTS REPLACEMENT REQUEST.

This product is manufactured by (GLOB) for **ROOMS TO GO** | **KIDS**

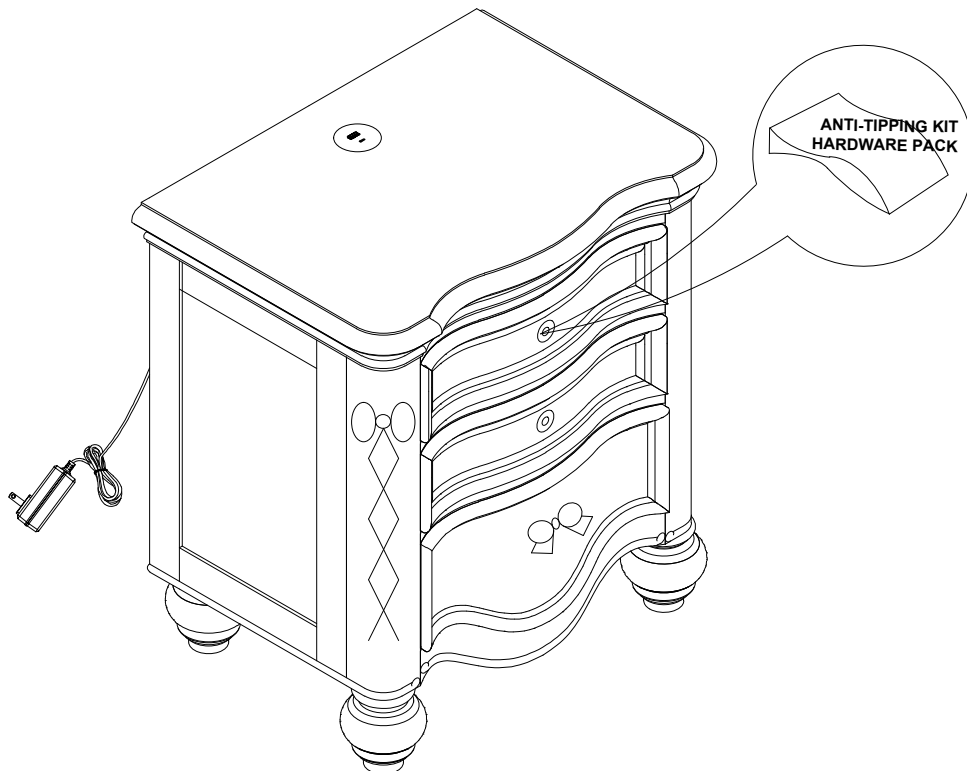
# 673

## 3 DRAWER NIGHTSTAND

NIGHTSTAND PART LIST				HARDWARE LIST			
	ITEM DESCRIPTION	IMAGE	QTY		ITEM DESCRIPTION	IMAGE	QTY
A	NIGHTSTAND		1 PC	1	TIPPING RESTRAINT (CUSTOMER TO ASSEMBLE)		1 SET
				2	PHILIPS SCREWDRIVER (NOT PROVIDED)		1 PC
B	USB ADAPTOR (Pre-assembled)		1 PC				

### HARDWARE PACK LOCATION

SKU#	STYLE	COLOR	ITEM DESCRIPTION
37967304	673-3A	SPARKLE WHITE	3 DRAWER NIGHTSTAND



**NOTE: ANTI-TIPPING KIT HARDWARE PACK IS LOCATED IN THE DRAWER**

DO NOT USE SUBSTITUTE PARTS. PLEASE CONTACT YOUR RETAIL STORE OR [WWW.ROOMSTOGO.COM](http://WWW.ROOMSTOGO.COM) WITH SERVICE OR PARTS REPLACEMENT REQUEST.

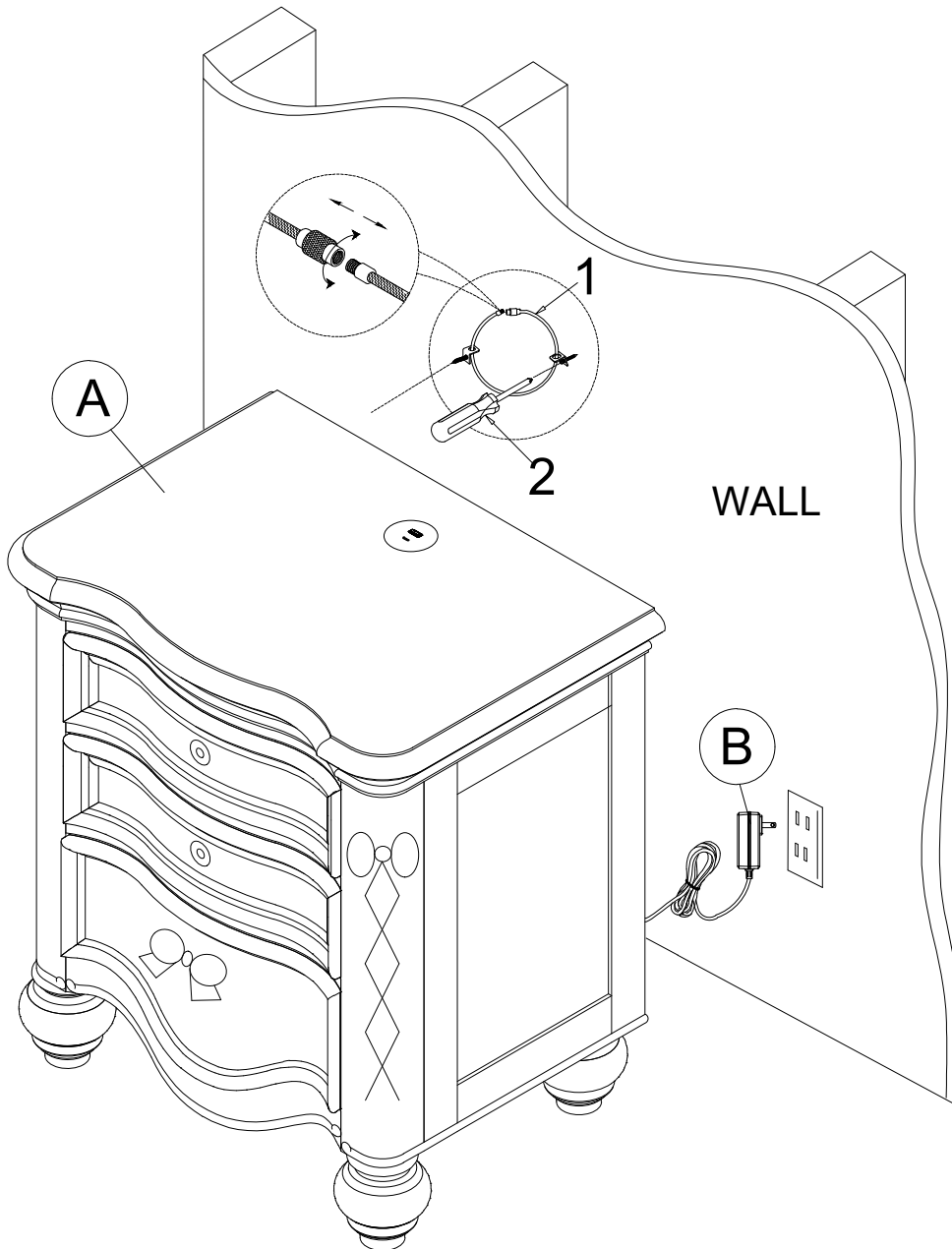
This product is manufactured by (GLOB) for **ROOMS TO GO | KIDS**

Thank you for purchasing this quality product. Be sure to check all packing material carefully for small parts which may have come loose inside the carton during shipment. Identify and count all parts and compare with the parts list below. Read all instructions before assembling bed and keep these instructions for future reference.

## Assembly Instructions:

### STEP 1

Install Tipping Restraint (1) (Customer to Assemble) with a Phillips Screwdriver (2) (Not provided) by following the assembly instructions that come in the Tipping Restraint package. Insert USB Adaptor into electrical outlet.



DO NOT USE SUBSTITUTE PARTS. PLEASE CONTACT YOUR RETAIL STORE OR [WWW.ROOMSTOGO.COM](http://WWW.ROOMSTOGO.COM) WITH SERVICE OR PARTS REPLACEMENT REQUEST.

This product is manufactured by (GLOB) for **ROOMS TO GO** | **KIDS**

## IMPORTANT SAFETY INSTRUCTIONS:

### **WARNING**

Misuse can result in **FIRE** or **DEATH** by **ELECTRICAL SHOCK**

**ELECTRICAL RATING(12V/3A)**

**POWER TECHNOLOGY TRADING MANUFACTURE CO.,LTD**

**PART NUMBER: PW-1203000**

**Read all instructions before using this furnishing.**

**DANGER - To reduce the risk of electric shock:**

1. Always unplug this furnishing from the electrical outlet before cleaning or servicing.

**WARNING - To reduce the risk of burns, fire, electric shock, or injury to persons:**

1. Unplug from outlet before putting on or taking off parts.
2. Never operate this furnishing if it has a damaged electrical cord or plug, if it is not working properly, or if the electrical cord or plug has been damaged or dropped into water. Stop using this furnishing and call a service center for examination and repair.
3. Keep the electrical cord and plug away from heated surfaces and other heat sources.
4. To disconnect, turn all controls to the off position, then remove plug from outlet.
5. When operating, ensure that electrical cord is not under the base, legs, or motion mechanism to avoid damage to electrical cord or plug.
6. Do not strain or stretch electrical cord.
7. Do not use extension cords or power strips.
8. Keep out of reach of children. This is not a toy.
9. Plug directly into a compatible electrical socket.
10. Do not modify the plug or use any adapters.

### **WARNING**

El mal uso puede provocar **INCENDIO** o **MUERTE** por **DESCARGA ELÉCTRICA**

**ELECTRICAL RATING(12V/3A)**

**POWER TECHNOLOGY TRADING MANUFACTURE CO.,LTD**

**PART NUMBER: PW-1203000**

**Leer todas las instrucciones antes de usar este mobiliario.**

**PELIGRO - Para reducir el riesgo de descarga eléctrica:**

1. Siempre desenchufe este accesorio de la toma de corriente eléctrica antes de limpiarlo o repararlo.

**ADVERTENCIA: para reducir el riesgo de quemaduras, incendios, descargas eléctricas o lesiones a personas:**

1. Desenchufe del tomacorriente antes de colocar o quitar partes.
2. Nunca opere este accesorio si tiene un cable o enchufe eléctrico dañado, si no funciona correctamente, o si el cable o el enchufe eléctrico se ha dañado o se ha caído al agua. Deje de usar este equipamiento y llame a un centro de servicio para que lo examinen y lo reparen.
3. Mantenga el cable eléctrico y el enchufe lejos de superficies calientes y otras fuentes de calor.
4. Para desconectar, gire todos los controles a la posición de apagado, luego retire el enchufe del tomacorriente.
5. Al operar, asegúrese de que el cable eléctrico no esté debajo de la base, las patas o el mecanismo de movimiento para evitar dañar el cable eléctrico o el enchufe.
6. No fuerce ni estire el cable eléctrico.
7. No utilizar cables de extensión o tomas de corriente.
8. Mantener fuera del alcance de los niños. Esto no es un juguete
9. Enchúfelo directamente a una toma de corriente compatible.
10. No modifique el enchufe ni utilice adaptadores.