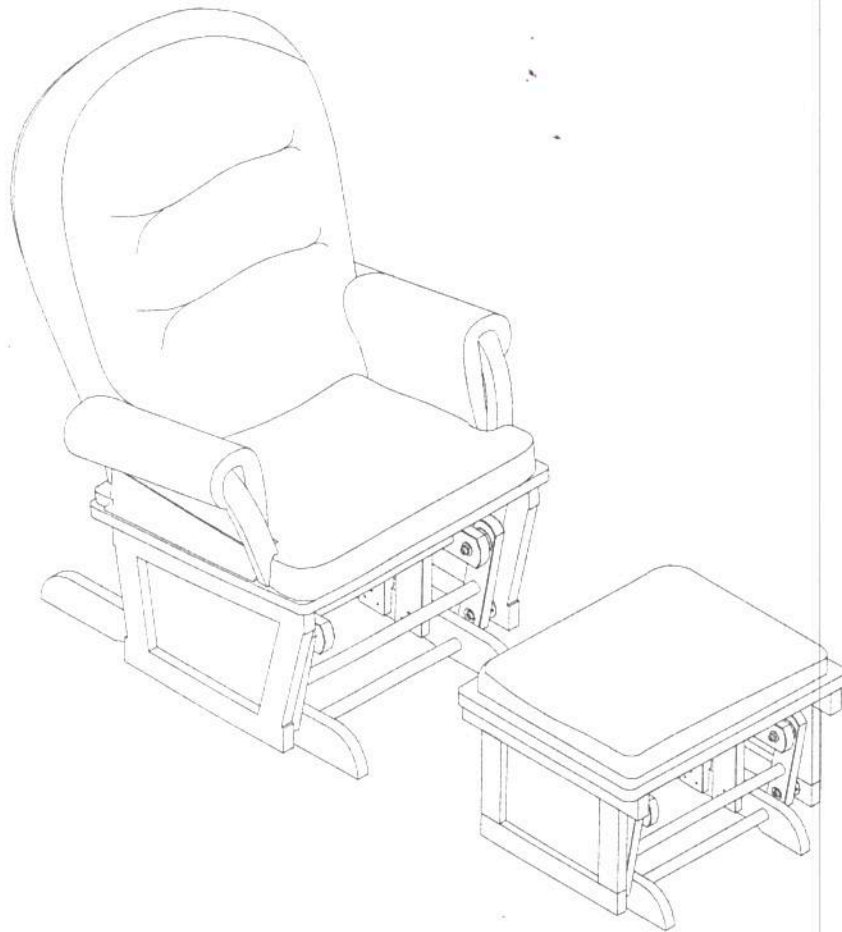


#5

ASSEMBLY INSTRUCTIONS

GLIDER AND OTTOMAN

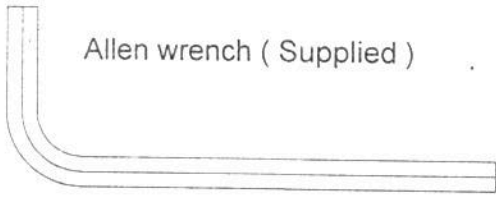
Model # 25617



"THE PRODUCT IMAGES SHOWN ARE FOR ILLUSTRATION PURPOSES ONLY AND MAY NOT BE AN EXACT REPRESENTATION OF THE PRODUCT."

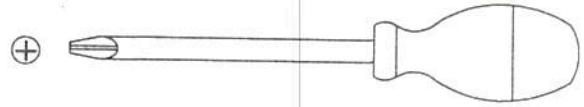
Carefully remove and lay out all parts. Familiarize yourself with all exhibits and diagrams to facilitate the assembly of your glider and ottoman

TOOLS REQUIRED :



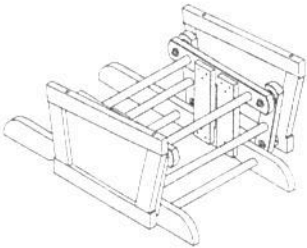
Allen wrench (Supplied)

Philip Head Screw Driver (Unsupplied)

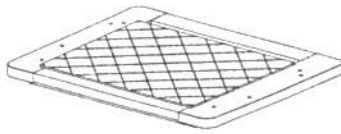


PART ENCLOSED IN CARTON

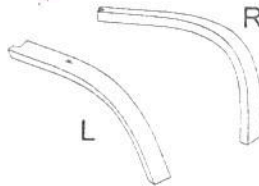
F. Glider Base (1 pc)



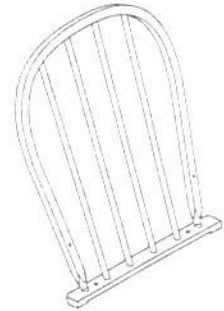
G. Glider Top (1 pc)



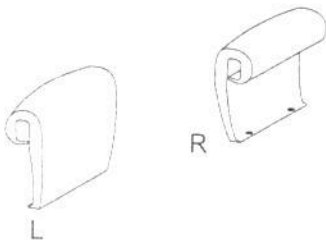
H. Arm L-R (2 pcs)



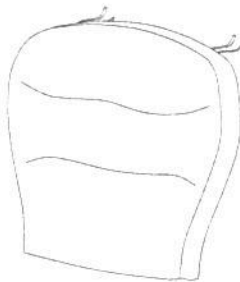
J. Back Frame (1 pc)



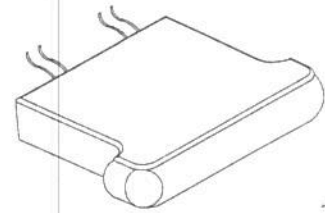
K. Arm Cushion (2 pcs)



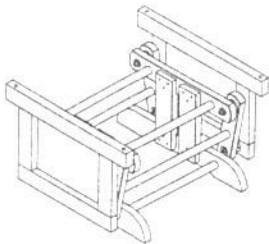
L. Back Cushion(1 pc)



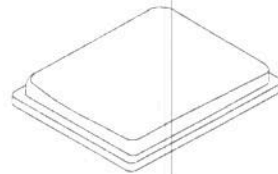
M. Seat Cushion (1 pc)



N. Glider Ottoman (1 pc)



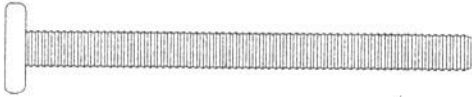
P. Ottoman Cushion (1 pc)



~~38025525~~

SKU# 38025525 HARDWARE

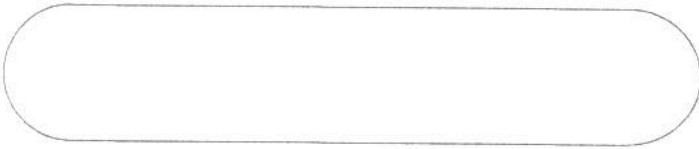
A. Bolt 2 1/4" (57 mm) (4 pcs)



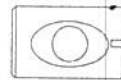
B. Bolt 1 3/8" (35 mm) (10 pcs)



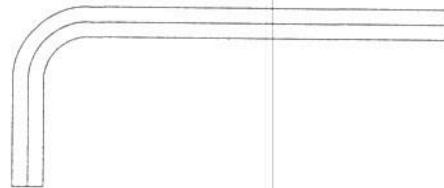
C. Plastic glide (8 pcs)



D. Barrelnut 5/8" (15 mm)(4 pcs)



E. Allen wrench (1 pc) (Length may vary)



Make sure the bolts are tightly locked against the washers during assembly.
(Please add an extra 1/2 revolution to all the bolts when using spring washer after tightening)

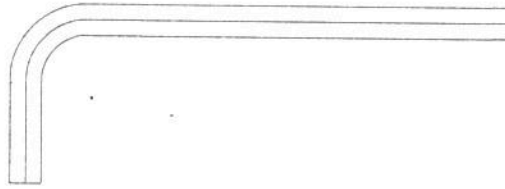
STEP 1 " ASSEMBLY OF BACK FRAME "

THIS STEP REQUIRES :

B. Bolt 1 3/8" (35 mm) (2 pcs)



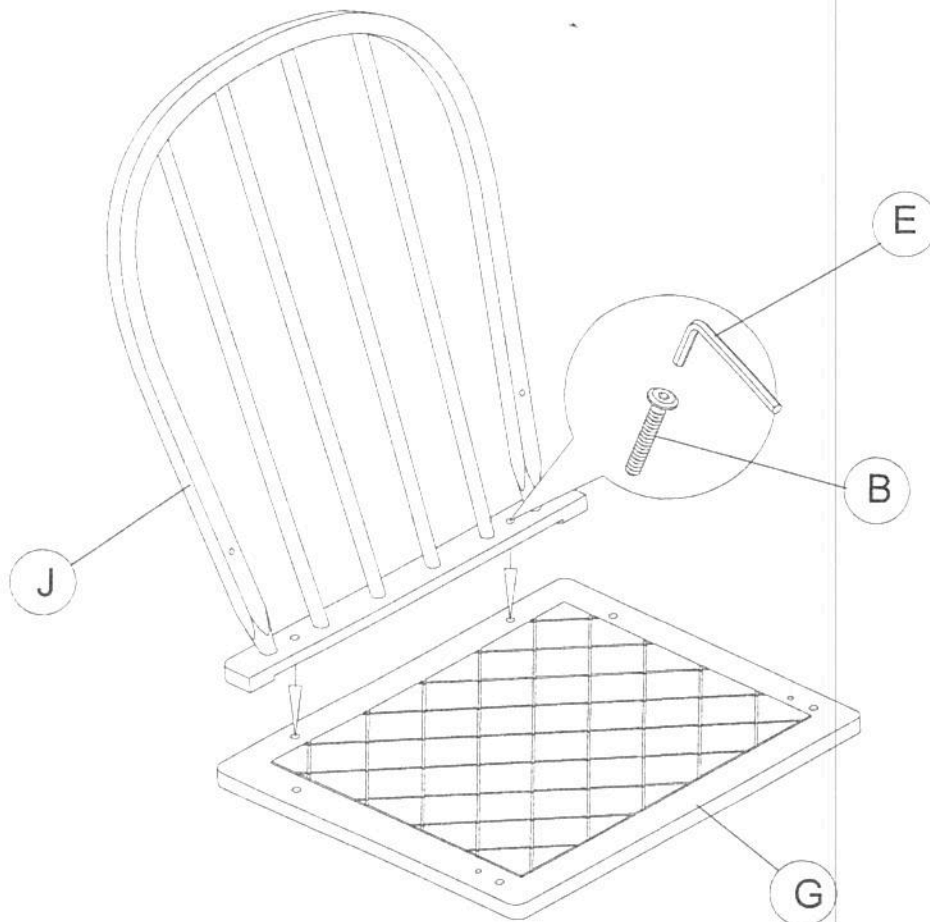
E. Allen wrench (1 pc)



G. Glider Top (1 pc)

J. Back Frame (1 pc)

STEP 1



STEP 1

- Insert bolt 1 3/8" [35 mm] (B), through the hole of back frame and connect to glider top (G). Hand tighten only!
- Repeat STEP 1 for the other hole position.
- Tighten all bolts with allen wrench (E) .

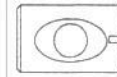
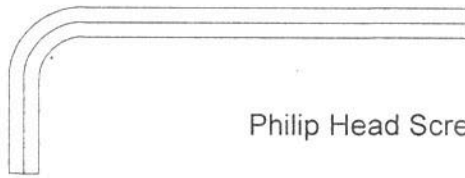
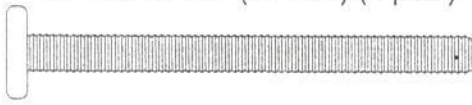
STEP 2 " ASSEMBLY OF ARM "

THIS STEP REQUIRES :

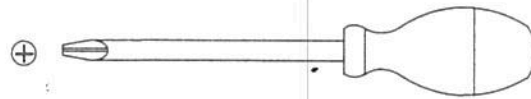
A. Bolt 2 1/4" (57 mm) (4 pcs)

E. Allen wrench (1 pc)

D. Barrelnut 5/8" (15 mm)(4 pcs)

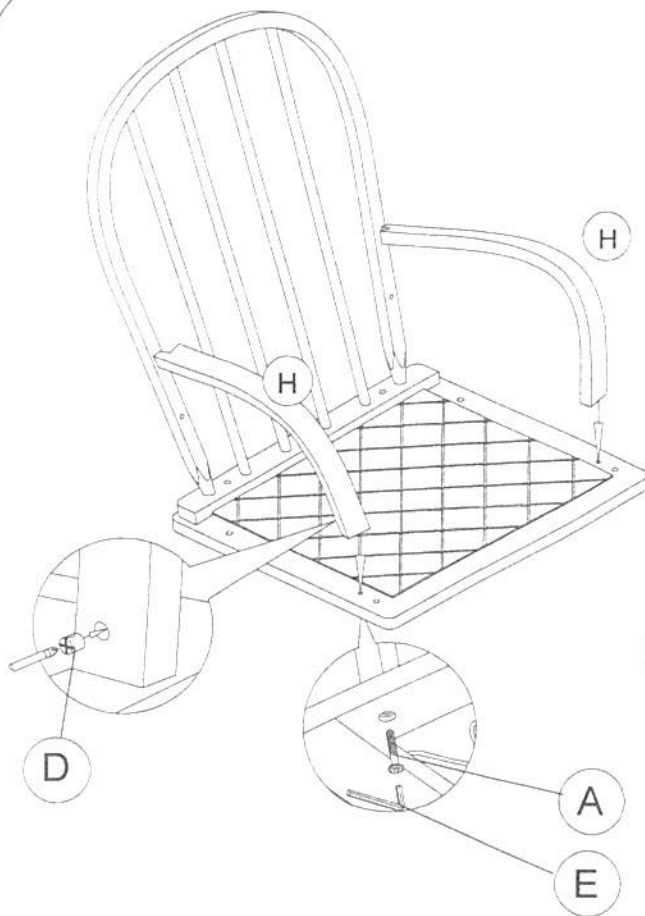


Philip Head Screw Driver (Unsupplied)

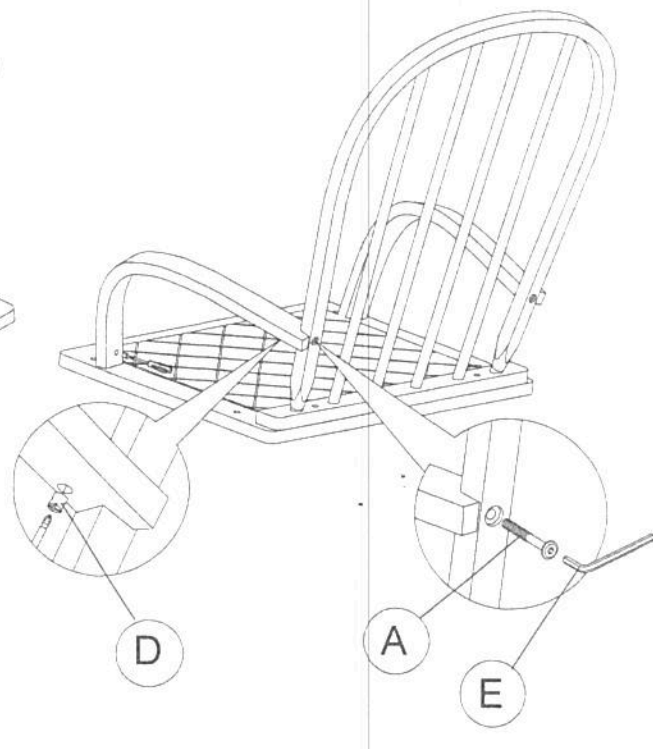


H. Arm L-R (2 pcs)

STEP 2.1



STEP 2.2



STEP 2.1

- Insert barrelnut 5/8" (15 mm) (D) into the holes in the inside edge of arm.
- Connect arm to the glider top using (2 pcs) bolt 2 1/4 " [57 mm] (A).
- Tighten all bolts with allen wrench (E) .

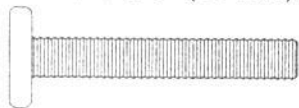
STEP 2.2

- Insert barrelnut 5/8" (15 mm) (D) into the holes in the inside edge of arm.
- Connect arm to the back frame using (2 pcs) bolt 2 1/4 " [57 mm] (A).
- Tighten all bolts with allen wrench (E) .

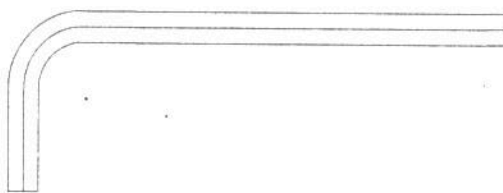
STEP 3 " ASSEMBLY OF GLIDER TOP "

THIS STEP REQUIRES :

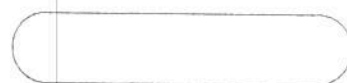
B. Bolt 1 3/8" (35 mm) (4 pcs)



E. Allen wrench (1 pc)

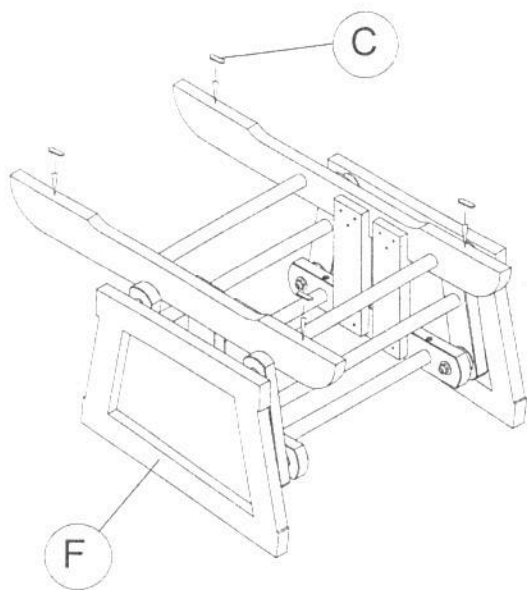


C. Plastic glide (4 pcs)

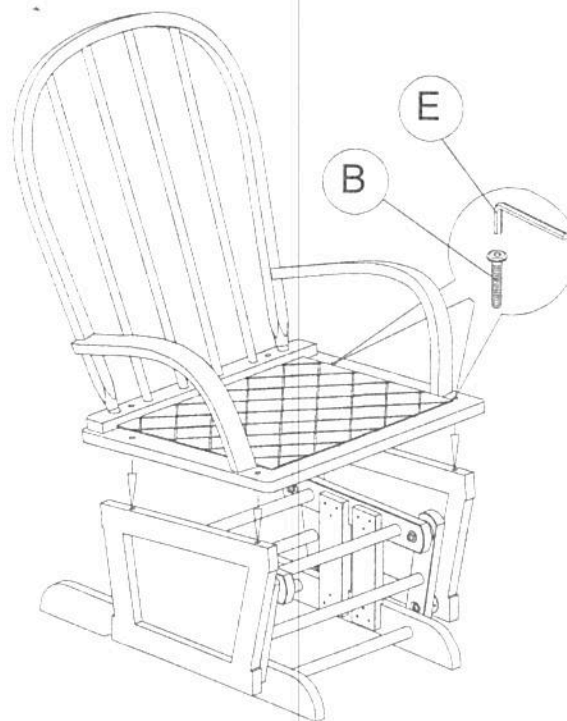


F. Glider Base (1 pc)

STEP 3.1



STEP 3.2



STEP 3.1

- Turn the glider base over and plug plastic glide (C) into the bottom.
- Repeat STEP 3.1 for the other three holes position.

STEP 3.2

- Insert bolt 1 3/8" [35 mm] (B), through the hole of glider top and connect to glider base (F). Hand tighten only!
- Repeat STEP 3.2 for the other three holes position.
- Tighten all bolts with allen wrench (E) .

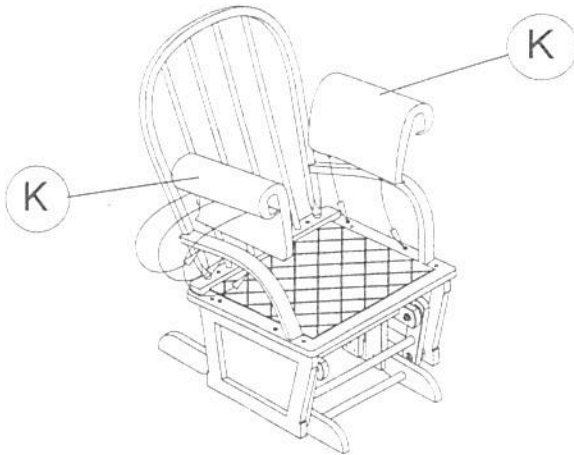
STEP 4 " ASSEMBLY OF ARM, SEAT AND BACK CUSHION "

THIS STEP REQUIRES :

K. Arm Cushion (2 pcs)

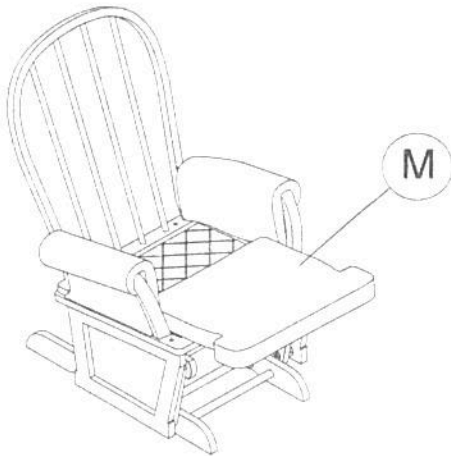
L. Back Cushion(1 pc)

M. Seat Cushion (1 pc)



STEP 4.1

Attach arm cushion (K) to the arm rest by buttoning the button along with the interior seat on the sides.



STEP 4.2

Place seat cushion (M) onto the glider base, tie the rope around the pole.



STEP 4.3

Place back cushion (L) onto the back frame, tie the rope around the pole.

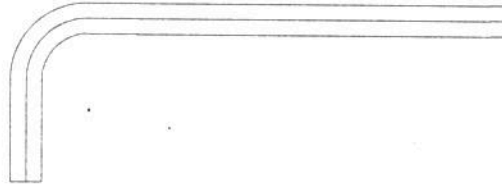
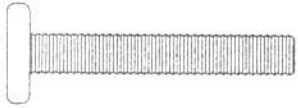
STEP 5 " ASSEMBLY OF OTTOMAN "

THIS STEP REQUIRES :

B. Bolt 1 3/8" (35 mm) (4 pcs)

E. Allen wrench (1 pc)

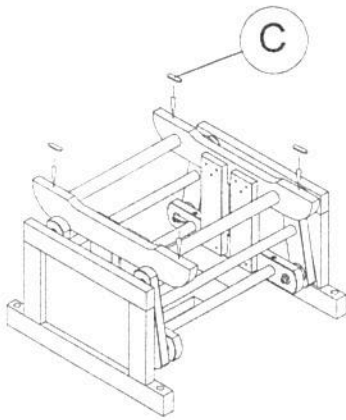
C. Plastic glide (4 pcs)



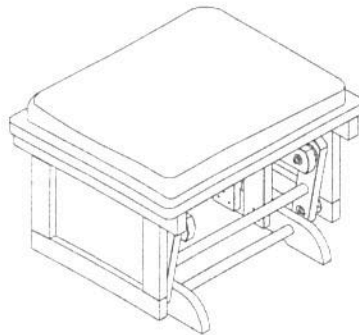
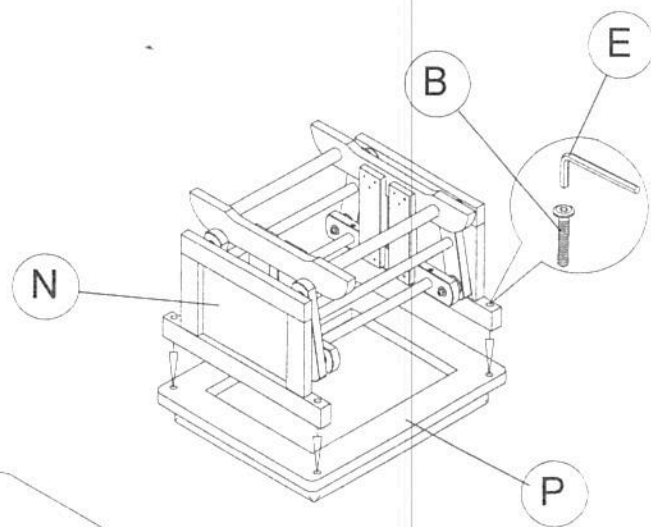
N. Glider Ottoman (1 pc)

P. Ottoman Cushion (1 pc)

STEP 5.1



STEP 5.2



STEP 5.1

- Turn the glider over and plug plastic glide (C) into the bottom.
- Repeat STEP 5.1 for the other three holes position.

STEP 5.2

- Insert bolt 1 3/8" [35 mm] (B), through the hole of bottom frame in glider ottoman (N) and connect to Ottoman cushion (P). Hand tighten only!
- Repeat STEP 5.2 for the other three holes position.
- Tighten all bolts with allen wrench (E) .

STEP 6 " FINAL POSITION OF GLIDER AND OTTOMAN "

 WARNING

DO NOT SIT ON THE EDGE OF THE SEAT, ARM REST, OR ON THE BACK OF THE CHAIR AS THIS COULD CAUSE THE CHAIR TO TIP OVER.

DO NOT USE THE CHAIR AS A STEP STOOL.

DO NOT LEAVE CHILDREN UNATTENDED ON OR BESIDE THE CHAIR.



Furniture Care Instructions

Room Climate Control

Wood, when first cut contains more than 50 percent water. When it is prepared for furniture construction it is placed in a Kiln and the moisture content is brought down to 8 to 10 percent. Wood is porous and responds to its environment. If the room has high humidity it will absorb it and expand and if the humidity is low it will lose moisture and shrink.

It is important that the humidity levels in the room be controlled from extremes of too much humidity or too little. Furniture should not be placed close to air-conditioning outlets, fire places, radiators, space heaters, humidifiers or dehumidifiers. Exposure to extreme variations of temperature and humidity can damage any fine wood product.

The Ideal Environment for Fine Furniture

Fine wood furniture will have fewer problems when its environment is controlled at a temperature between 65 and 75 degrees and a relative humidity between 35 and 40 percent. Wood placed in an environment outside of those limits can and will shrink or expand and may develop some small cracks which are not material or structural defects.

Sticking Doors and Drawers

With the minor changes in temperature and humidity doors and drawers may swell and be difficult to open or close. Tolerances have been built into the units but extreme conditions may still cause sticking. This will adjust back to normal over time but until it does consider using a dehumidifier or rub candle wax or paraffin on the sides that stick.

Avoid Direct Sunlight

Keep the furniture out of direct sunlight. Ultraviolet rays will fade colors and in some cases darken them. It can also cause crazing or hair line cracks in the finish. White finishes will yellow naturally over time and exposure to direct sunlight will hasten this natural process along with some woods darkening naturally over time; this is not considered to be a quality defect.

Proper Storage

If you need to put your furniture in storage for any period of time do not store them in a damp basement or hot dry attic. Allow air movement around the furniture and do not stack anything on it.

In General

- Protect furniture surface from hot or extremely cold items.
- Use coasters under hot or cold beverages
- Do not use synthetic fabric under accessories or lamps
- Protect tops from pens, markers and crayons
- Oils from potpourri and other scented items can damage the furniture finish.
- Do not drag items across the surface of the furniture.
- Allow the surface to breathe by rotating your accessories and lamps.
- Do not over polish the furniture, do it only two or three times a year. Over polishing can distort the natural finish of the product.
- Do not wax the furniture as wax build up can destroy the natural finish of the product.
- When moving furniture always lift the unit. Do not push or drag it to avoid damage to legs
- Keep the furniture level so doors and drawers open and close freely.
- Clean with a damp, not wet, cloth. Use only a mild soap. Do not use abrasive cleaners.