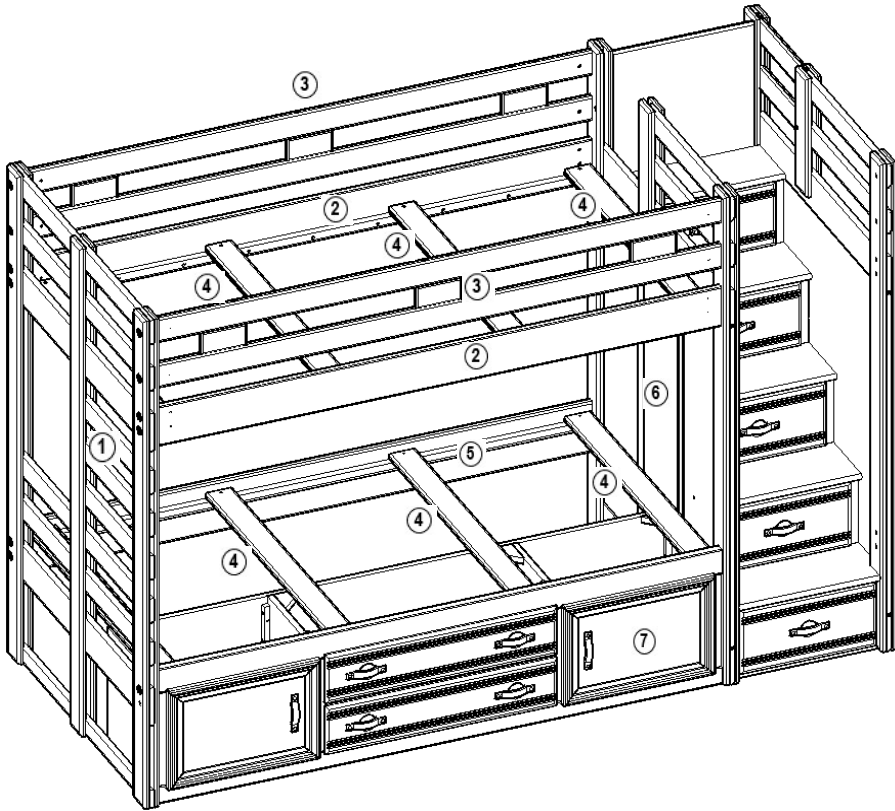


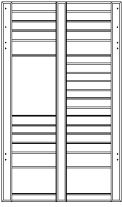
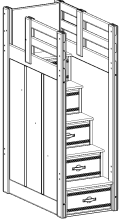



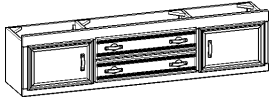






PARTS LIST



3804040P TWIN/TWIN STEP BUNK W/STORAGE RAIL CHARCOAL		
RTG SKU #	STYLE #	ITEM DESCRIPTION
35540409	40G-706	1 PC BUNKBED END TWIN
35840405	40G-160	STEP STORAGE UNIT
36740404	40G-732	4 PC RAILS(2 GUARD & 2 SIDE RAILS)
35340405	40G-940	STORAGE SIDE RAIL
35240403	40G-938	1 PC SIDE RAIL
38000232	100-645	TWIN SLAT PACK (4)
38000232	100-645	TWIN SLAT PACK (4)

3804041P TWIN/TWIN STEP BUNK W/STORAGE RAIL CHESTNUT		
RTG SKU #	STYLE #	ITEM DESCRIPTION
35540411	40B-706	1 PC BUNKBED END TWIN
35840417	40B-160	STEP STORAGE UNIT
36740416	40B-732	4 PC RAILS(2 GUARD & 2 SIDE RAILS)
35340417	40B-940	STORAGE SIDE RAIL
35240415	40B-938	1 PC SIDE RAIL
38000232	100-645	TWIN SLAT PACK (4)
38000232	100-645	TWIN SLAT PACK (4)

WARNING
The bed slats included with this bed will not support a mattress alone, this bed requires Bunkie boards (sold separately)

PARTS LIST		QTY	PARTS LIST		QTY	HARDWARE LIST		QTY	TOOLS NEEDED		
1		2 Pcs	6		1 Pc	A		24 Pcs	Phillips screwdriver (not included)		
											
2		2 Pcs	7		1 Pc				B		1 Pc
											
3		2 Pcs				C		16 Pcs			
			1 pc bunkbed end twin		Step storage unit						
Side rails				Storage side rail							
Guardrails											
4		8 Pcs								TWO PEOPLE ARE NEEDED TO ASSEMBLE DO NOT TIGHTEN COMPLETELY UNTIL ALL PIECES ARE CONNECTED TOGETHER	
			Slats								
5		1 Pc									
			1 pc side rail								

ASSEMBLY INSTRUCTIONS

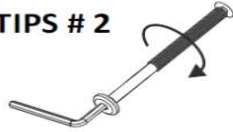
TIPS : SEE ILLUSTRATION BELOW

- 1- Use the long end of the allen wrench to fasten bolts loosely and quickly.
- 2- Use the short end of the allen wrench for final tightening

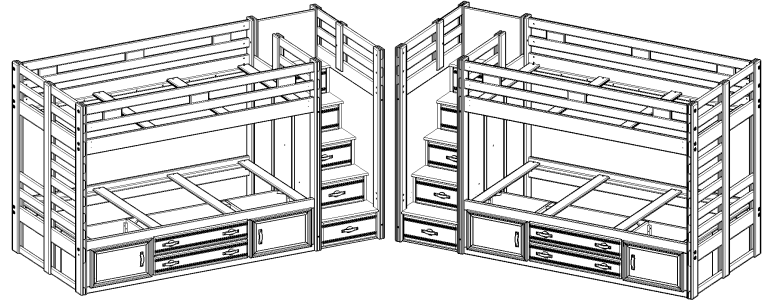
TIPS # 1



TIPS # 2

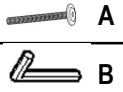


STEP 1

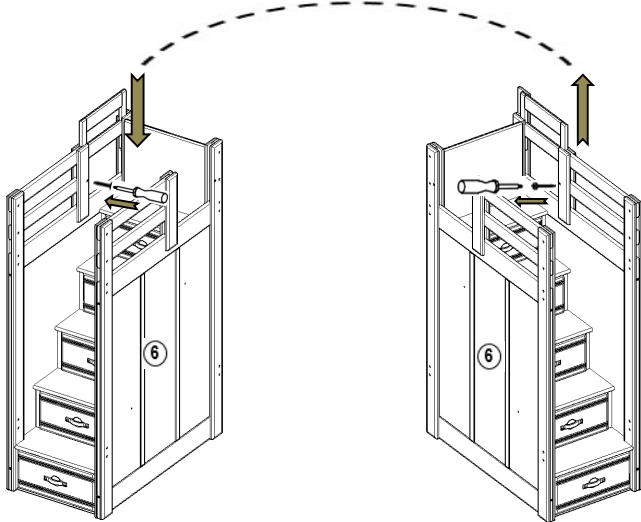


STAIRS ON THE RIGHT
(Factory setting)

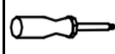
STAIRS ON THE LEFT



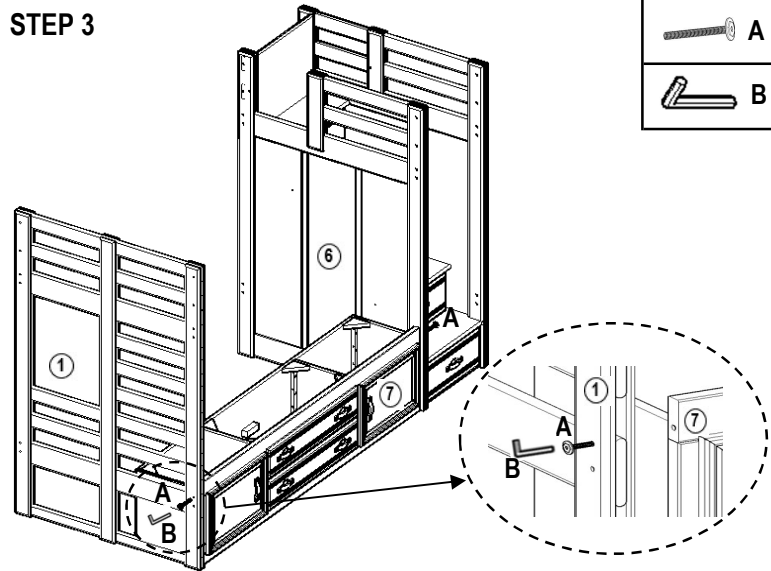
STEP 2



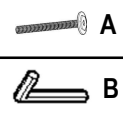
For stairs on the left, first remove the screw, then remove the panel and install it on the other side and secure with the screw.



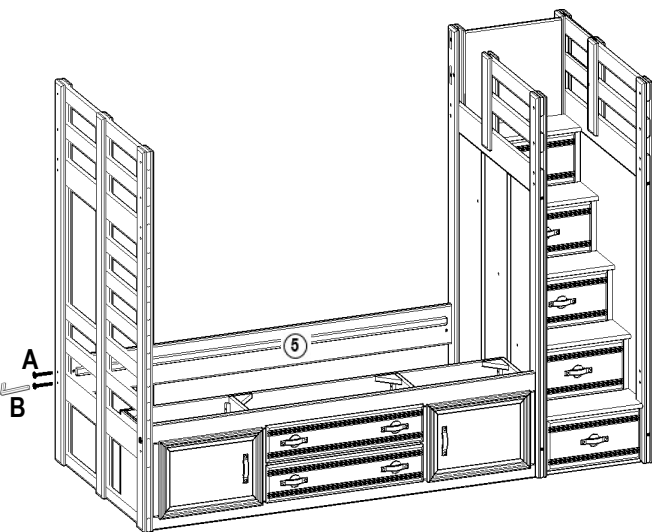
STEP 3



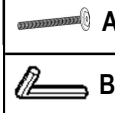
Assemble storage side rail.



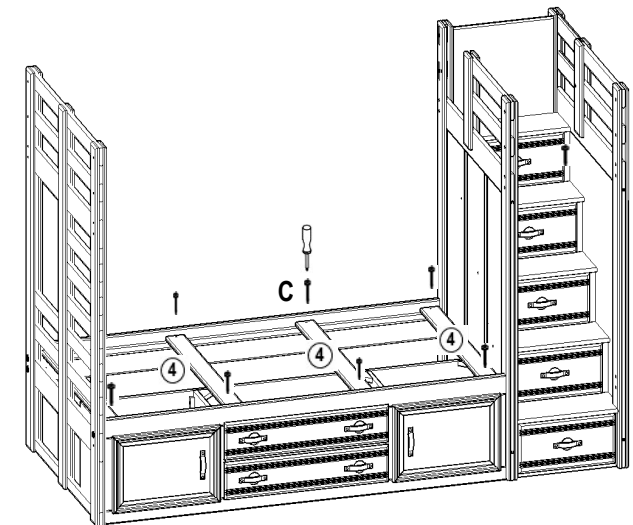
STEP 4



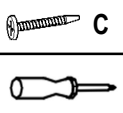
Assemble 1 pc side rail.



STEP 5

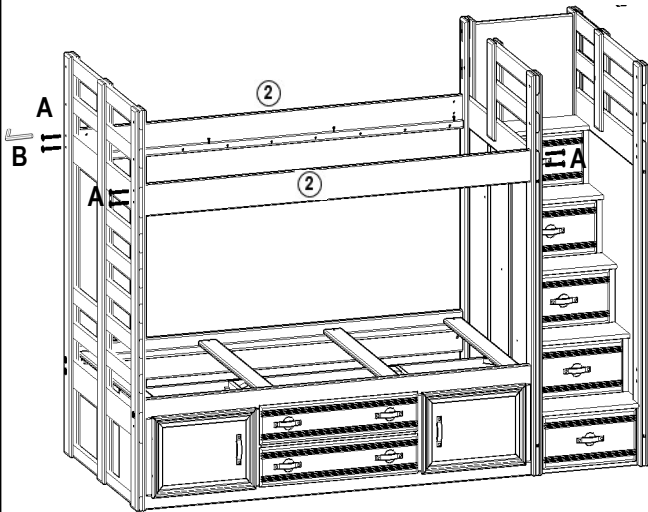


Install slats, one on each end, two equally spaced in the middle, then fasten with 1 1/4" screws

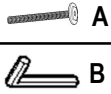


ASSEMBLY INSTRUCTIONS

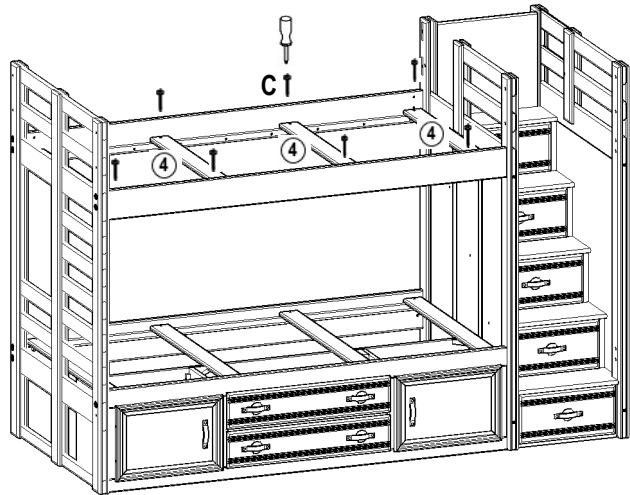
STEP 6



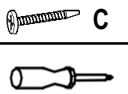
Assemble top side rails.



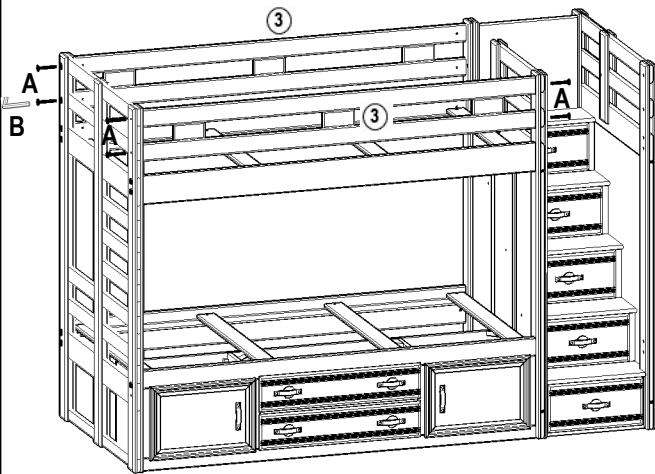
STEP 7



Install slats, one on each end, two equally spaced in the middle, then fasten with 1/4" screws

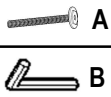


STEP 8



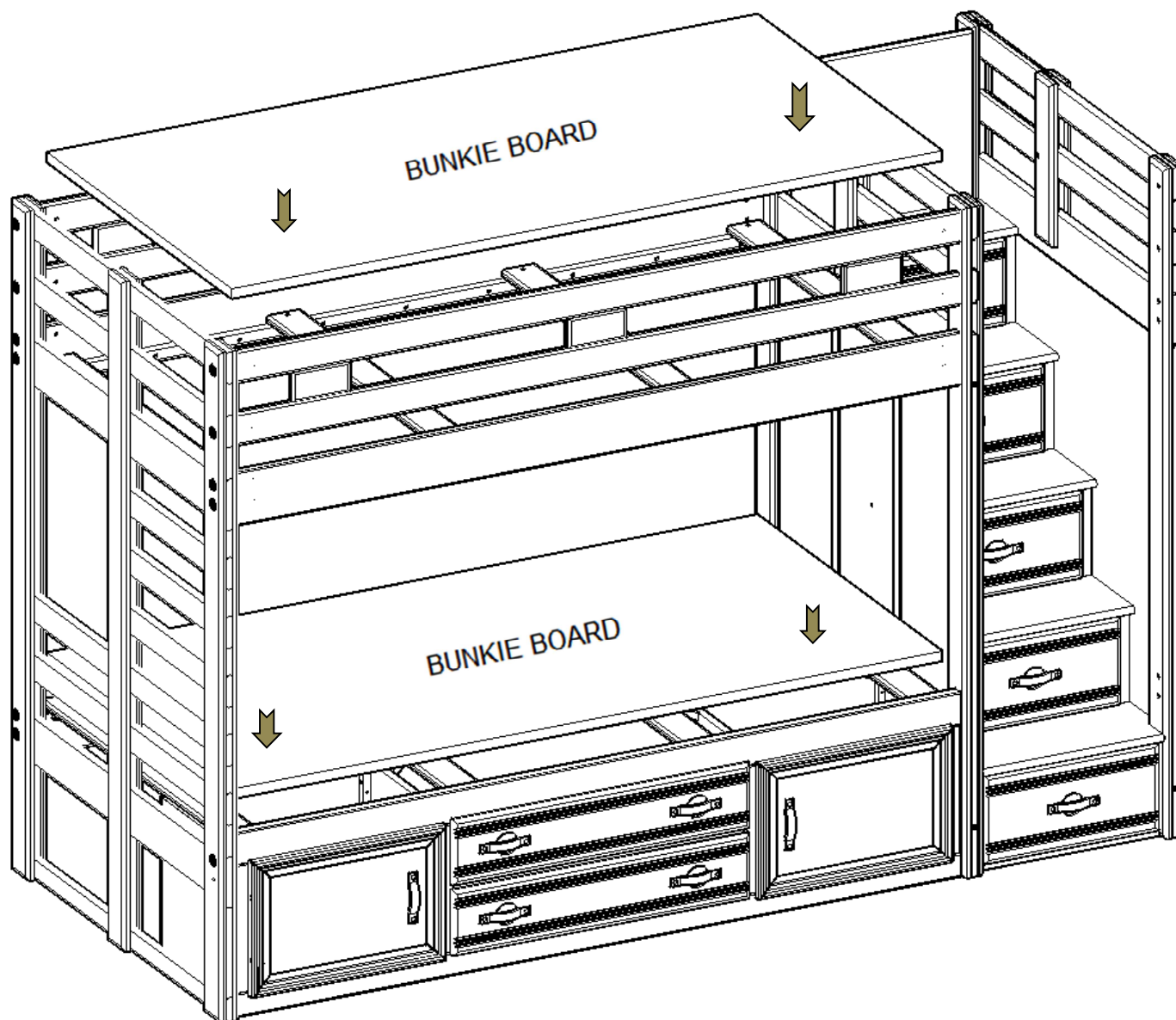
Assemble guardrails and tighten all bolts.

MAKE SURE ALL BOLTS ARE TIGHTENED COMPLETELY



ASSEMBLY INSTRUCTIONS

STEP 9



Place Bunkie boards (required, sold separately) on top of the slats

Use only correct mattress dimensions and Bunkie board:

Twin size mattress- 74" - 75" long and 37-1/2" - 38-1/2" wide
Full size mattress- 74" - 75" long and 52-1/2" - 53-1/2" wide
Full size Bunkie board- 74" long and 52-1/2" wide

PLEASE CONTACT YOUR RETAIL STORE WITH SERVICE OR PARTS REPLACEMENT REQUEST