



ASSEMBLY INSTRUCTIONS

“Driftwood Collection”

4105R / 4205R / 4805R Loft

Sand Gray Chestnut
3804116P 3804216P

SAFETY FIRST!!!!!!

All of Discovery’s Bunk beds were designed and manufactured with your child’s safety as our top priority. Their unparalleled strength is a bi-product of the safety design. Our bunk beds comply with all the ASTM F 1427-13 “Standard Consumer Safety Specification for Bunk Beds” and code of Federal Regulations (CFR) 1213 “Safety Standards for Entrapment Hazards in Bunk Beds” and (CFR) 1513 “Requirements for Bunk Beds”.

Safety is a cooperative effort between us as the manufacturer, and as a guardian. Please read and consider the warnings listed below when choosing a mattress and discussing rules of use with your child.

SAFETY WARNINGS

1. Follow the information on the warning labels appearing on the upper bunk end structure and on the carton.
Do not remove warning label from bed.
2. Always use the recommended size mattress or mattress support, or both, to help prevent the likelihood of entrapment or falls.
3. Surface of mattress must be at least 5 inches (127mm) below the upper edge of guardrails.
4. Do not allow children under 6 years of age to use the upper bunk.
5. Prohibit more than one person on top bunk.
6. Periodically, check and ensure that the guardrail, ladder, and other components are in their proper position, free from damage, and that all connectors are tight.
7. Do not allow horseplay on or under the bed and prohibit jumping on the bed.
8. Always use ladder for entering and leaving the upper bunk.
9. Do not use substitute parts. Contact the manufacturer or dealer for replacement parts.
10. Use of a night light may provide added safety precaution for child using the upper bunk.
11. Always use guardrails on both long side of the upper bunk. If bunk bed will be placed next to the wall, the guardrail that runs the full length of the bed should be placed against the wall to prevent entrapment between the bed and the wall.
12. The use of water or flotation mattress is prohibited.
13. Keep these instructions for future reference.

STRANGULATION HAZARD

-Never attach or hang items to any part of the bunk bed that are not designed for use with the bed; for example, but not limited to, hooks, belts and jump ropes.

SIZE OF MATTRESS AND FOUNDATION

Use only Twin Mattress with the following specifications on upper bunk.

Twin Mattress : 37 1/2” - 38 1/2” Wide x 74” - 75” long.

Ensure thickness of mattress and foundation combined does not exceed 10 inches and the mattress is at least 5 inches below the upper edge of guard rails.

*****Replacement parts, including additional guardrails, may be obtained from any Discovery World Furniture dealer or directly from us at the below address.

Website www.discoveryworldfurniture.com

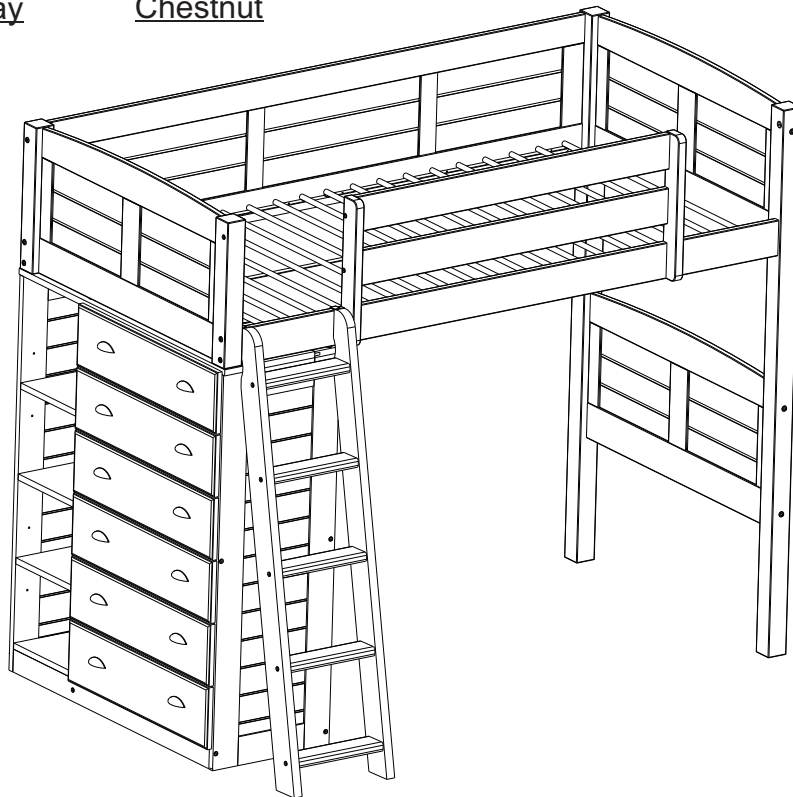
915 Cornwall Road
Sanford, FL 32773

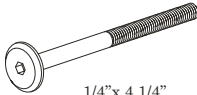
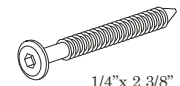
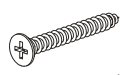
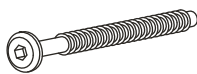
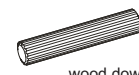

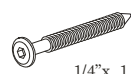

4105R / 4205R / 4805R Twin Loft


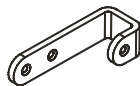

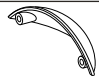


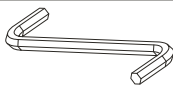


Sand

Gray

Chestnut



A		08
B		14
C		02
D		08
E		34
F		04
G		02
H		06

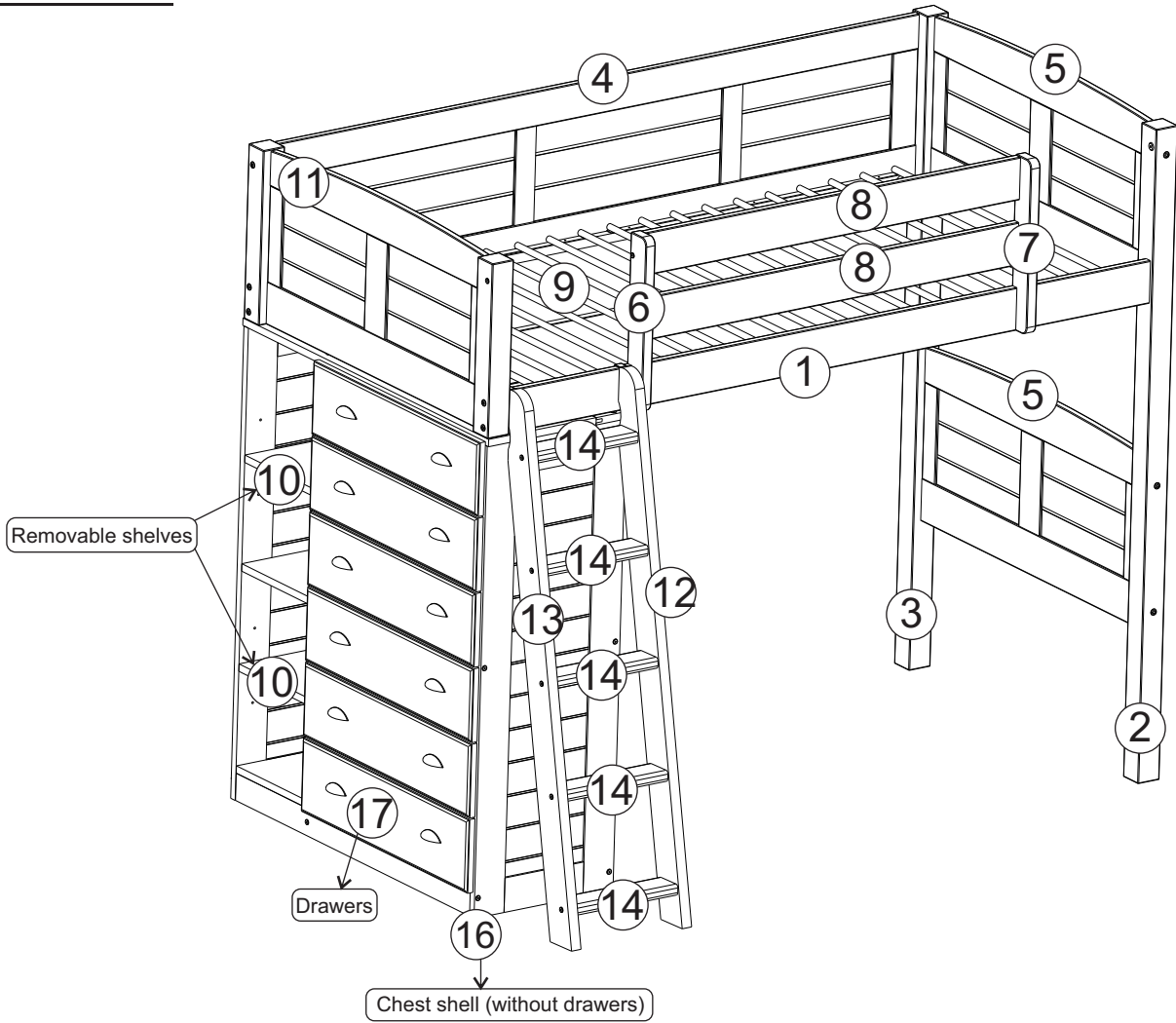
I		01
J		02
K		12
L		12
M		24
N		08
O		01
P		02
Q		02

Replacement Parts & Limited Lifetime Warranty

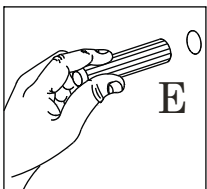
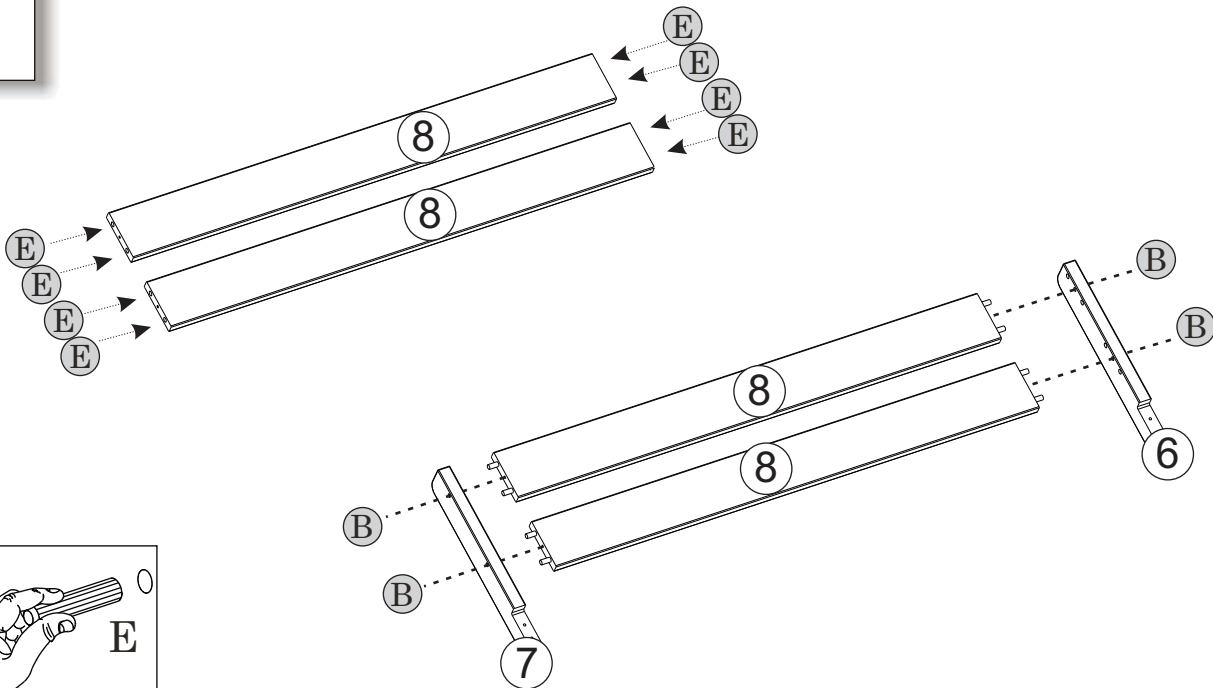
Discovery World Furniture will replace any component part free of charge for 1 full year via UPS freight collect. In addition, Discovery World Furniture will replace any component part for 50% of the then prevailing retail price plus freight for the lifetime of the product, unless the product has been discontinued from our line. For service, mail your request to: Discovery World Furniture 915 Cornwall Rd, Sanford, FL 32773.

Website www.discoveryworldfurniture.com

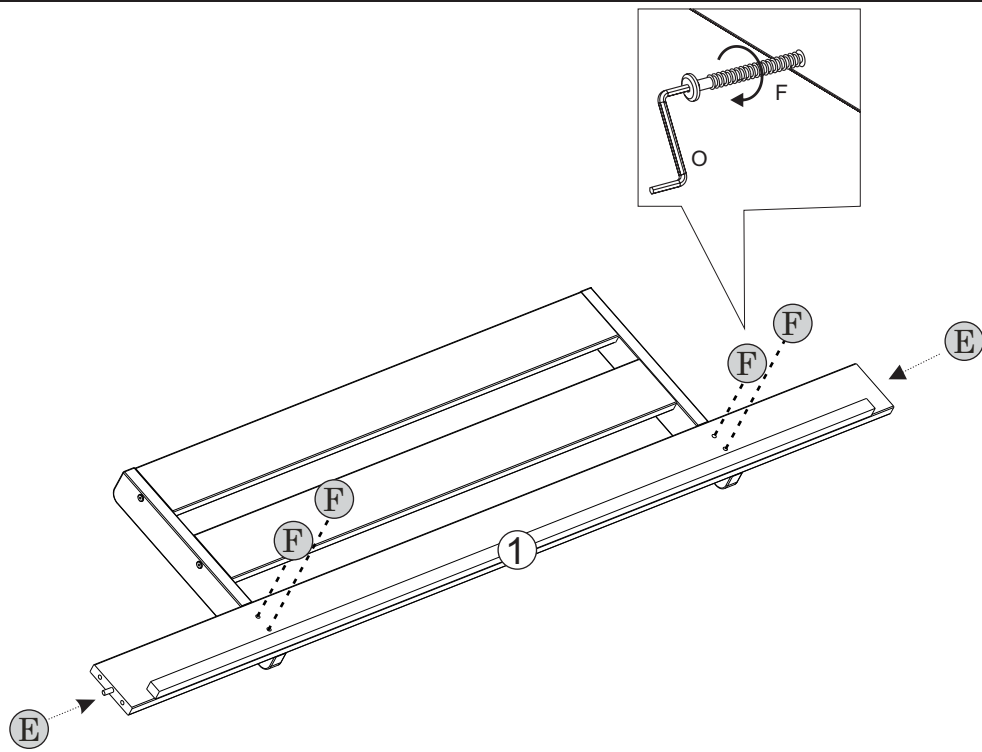
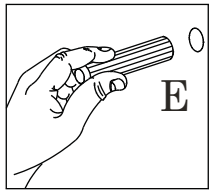
Parts List



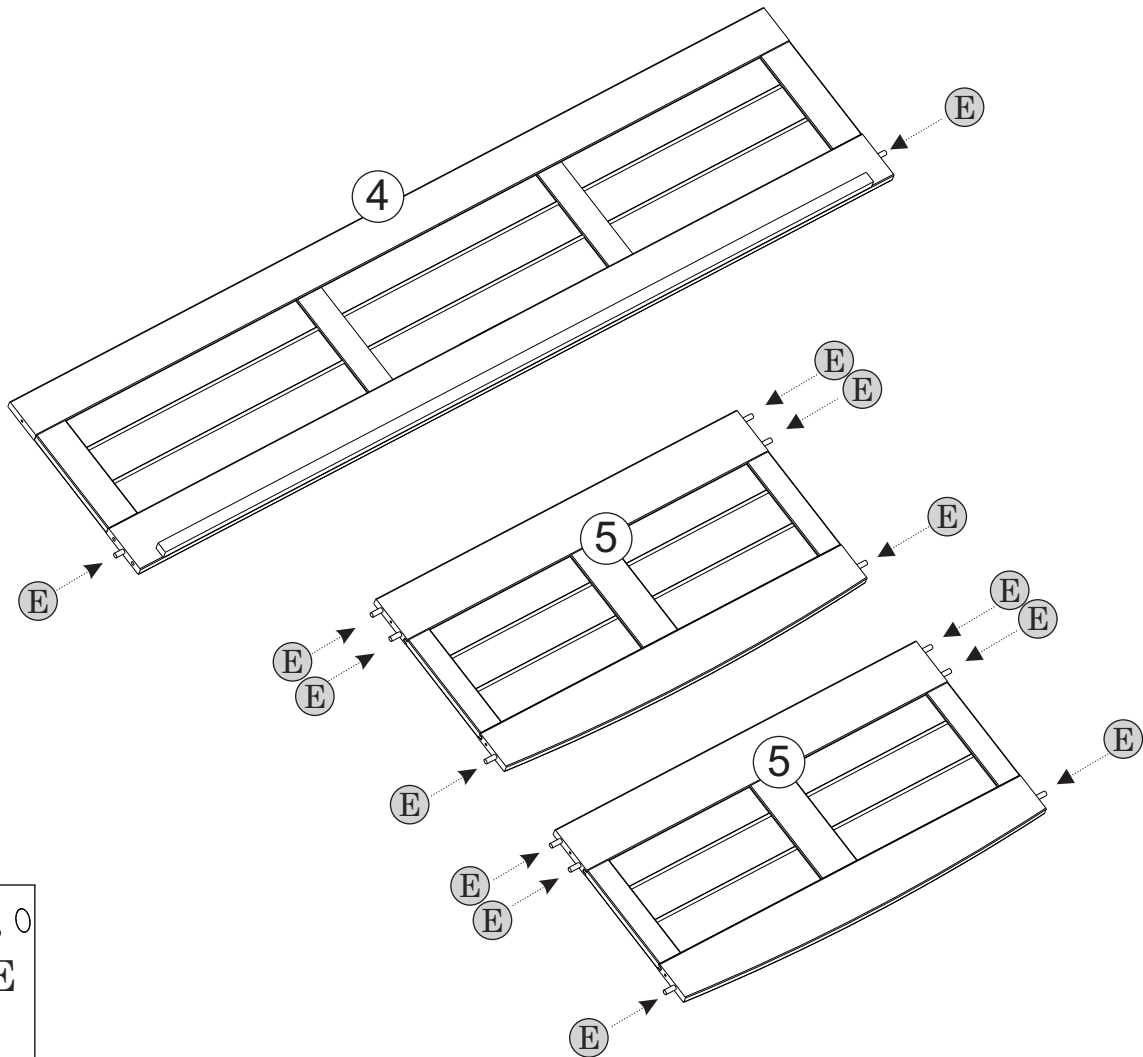
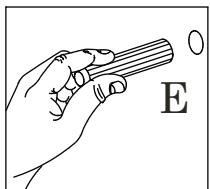
1



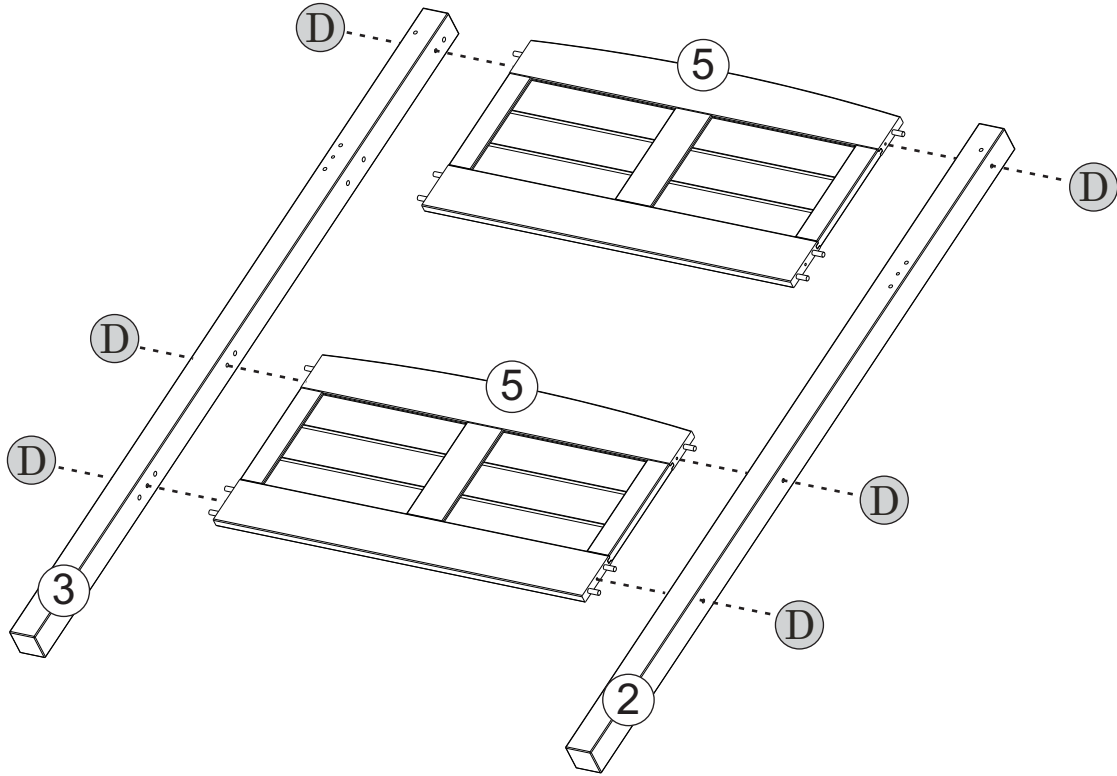
2



3

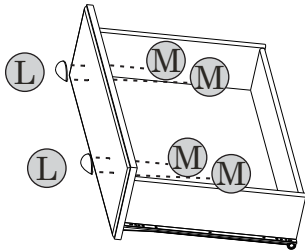


5



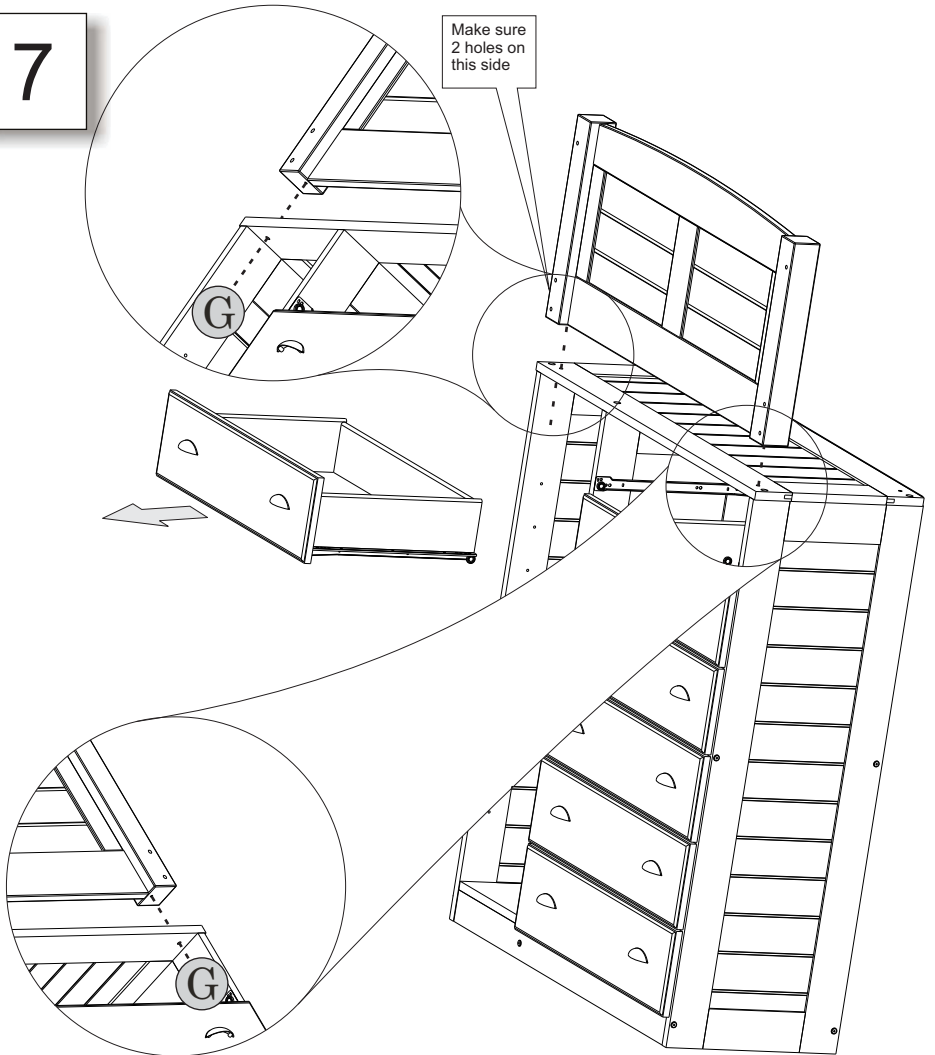
6

Handle and screws
in chest drawer



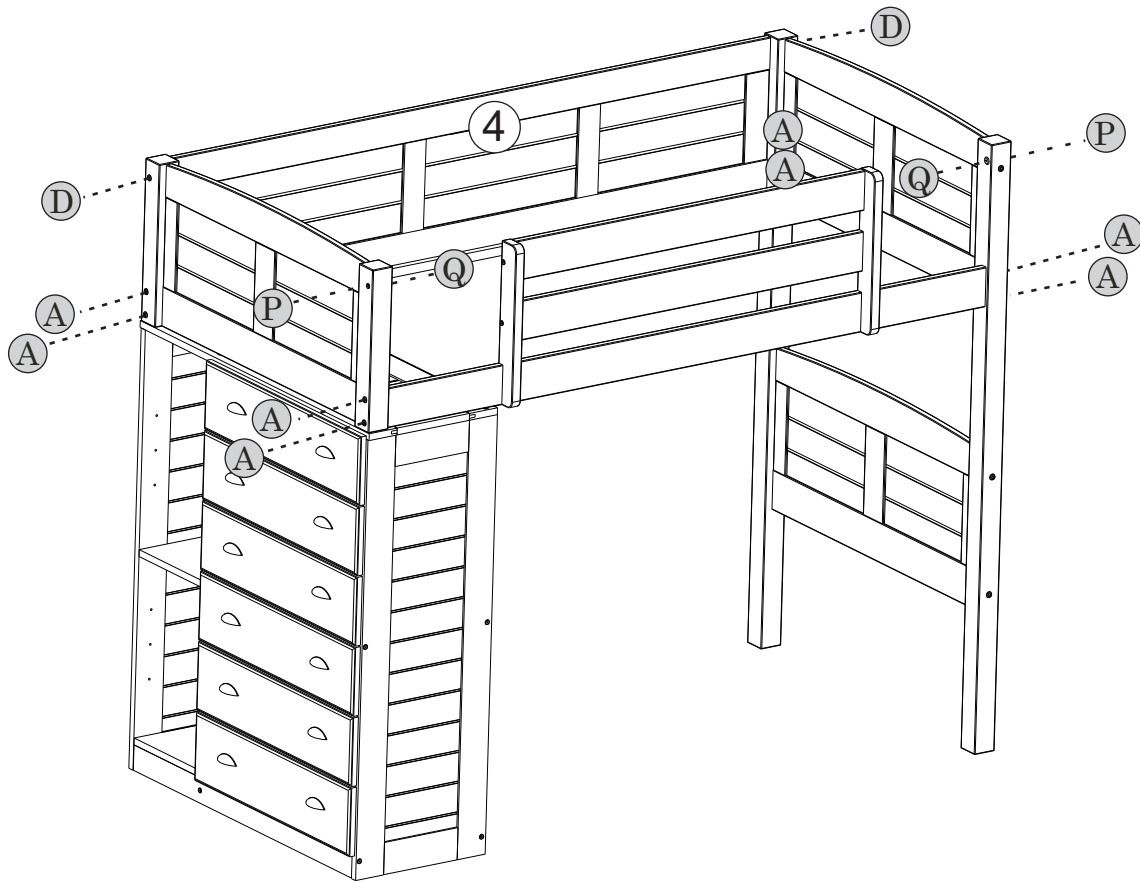
6X

7



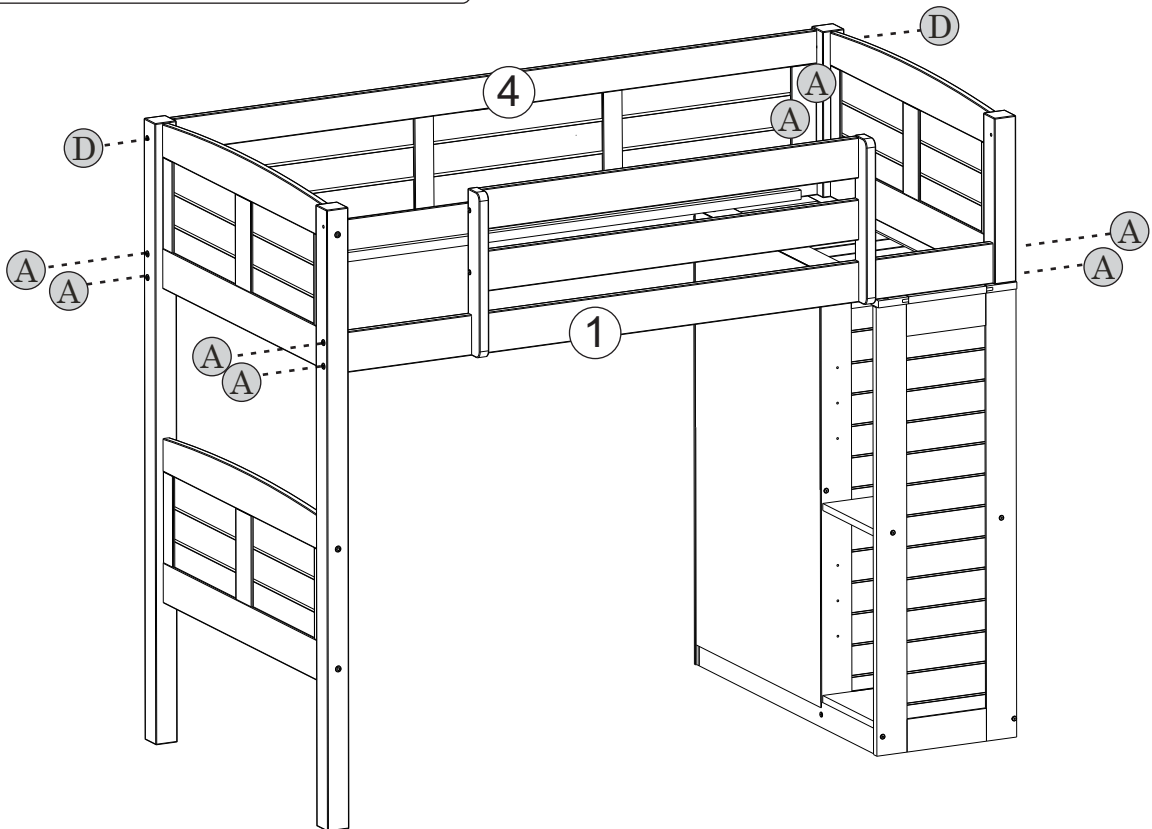
8

Shown with chest on left side, if you want the chest on the right side go to step 9 below

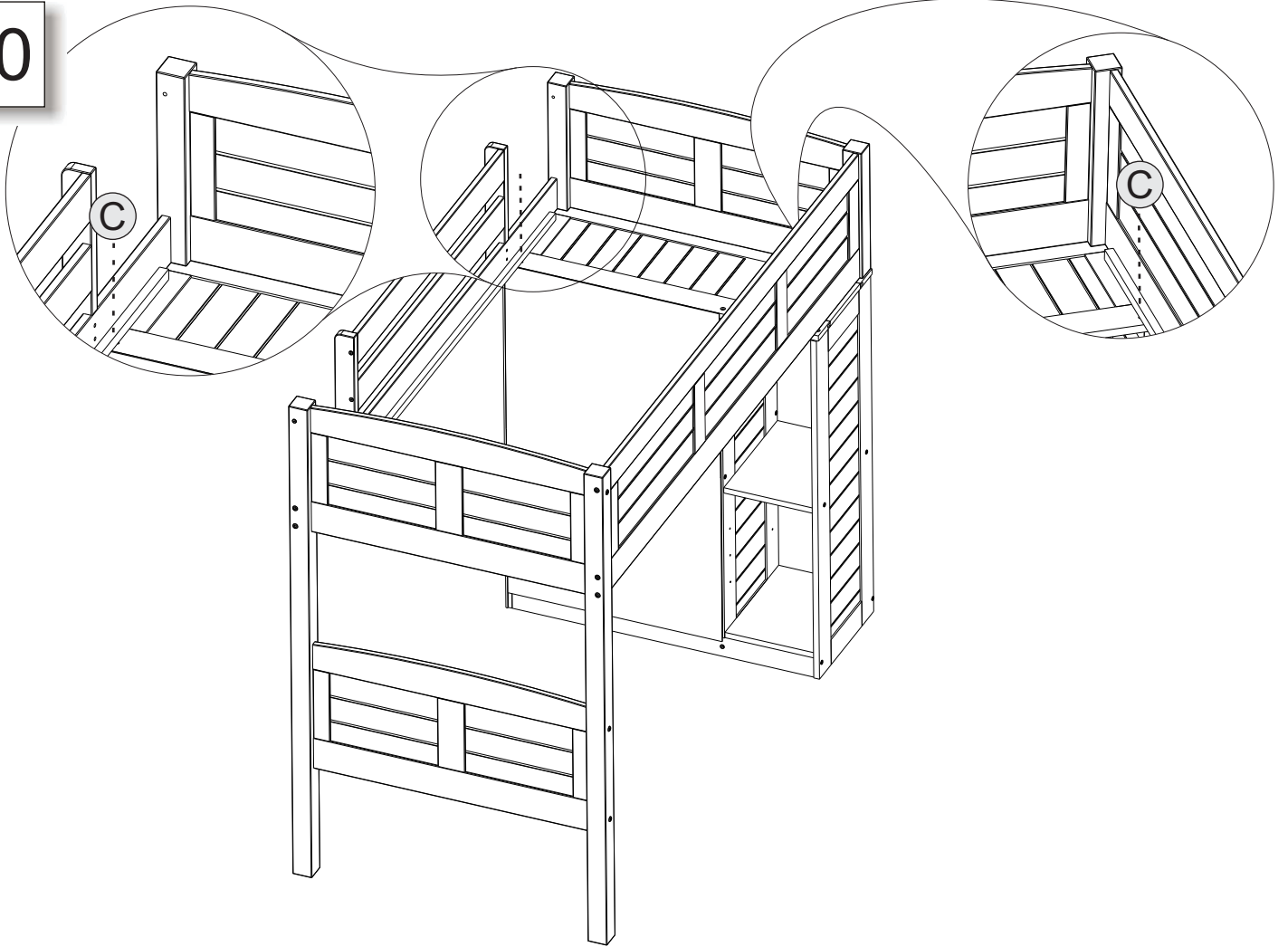


9

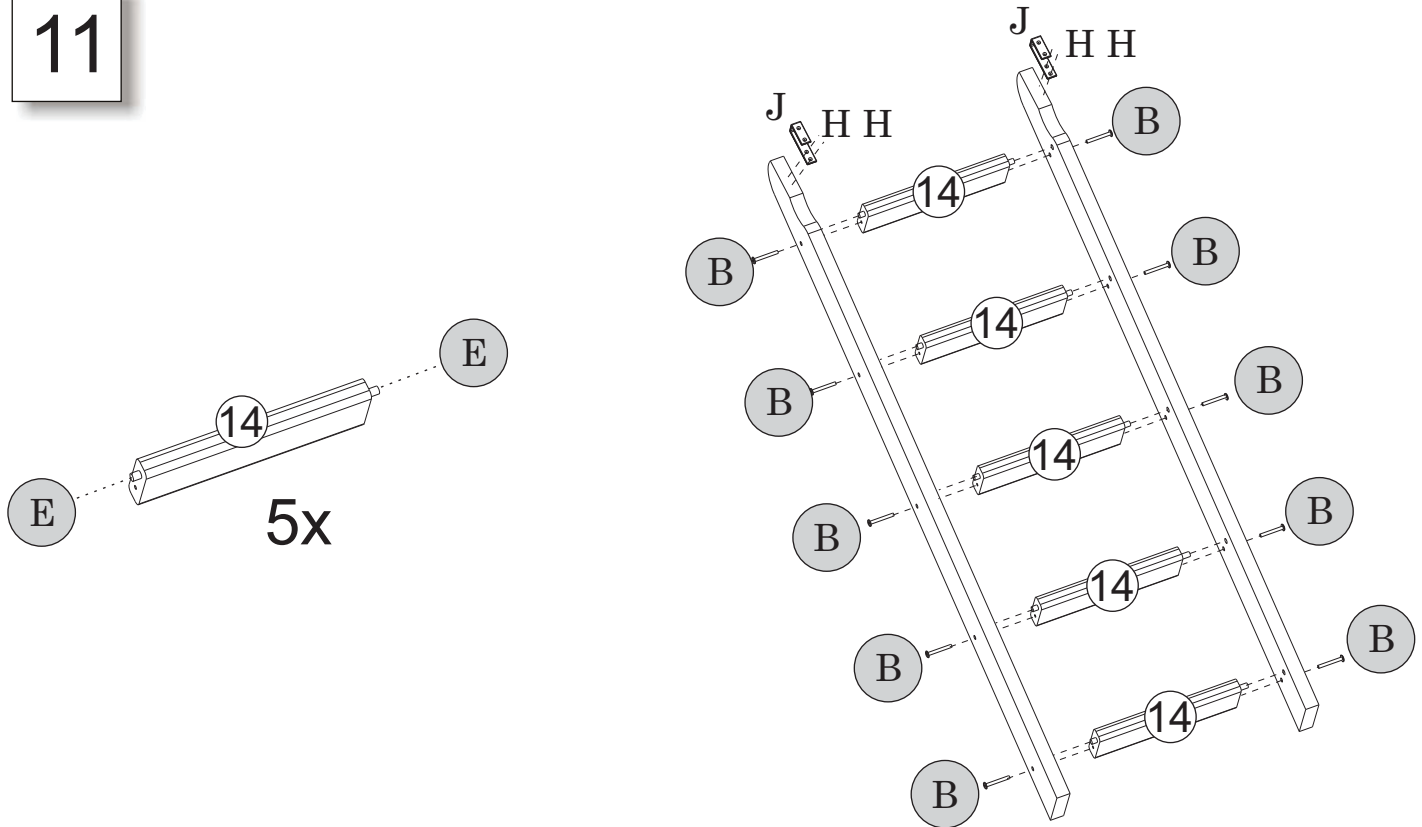
This step is for chest on right side



10



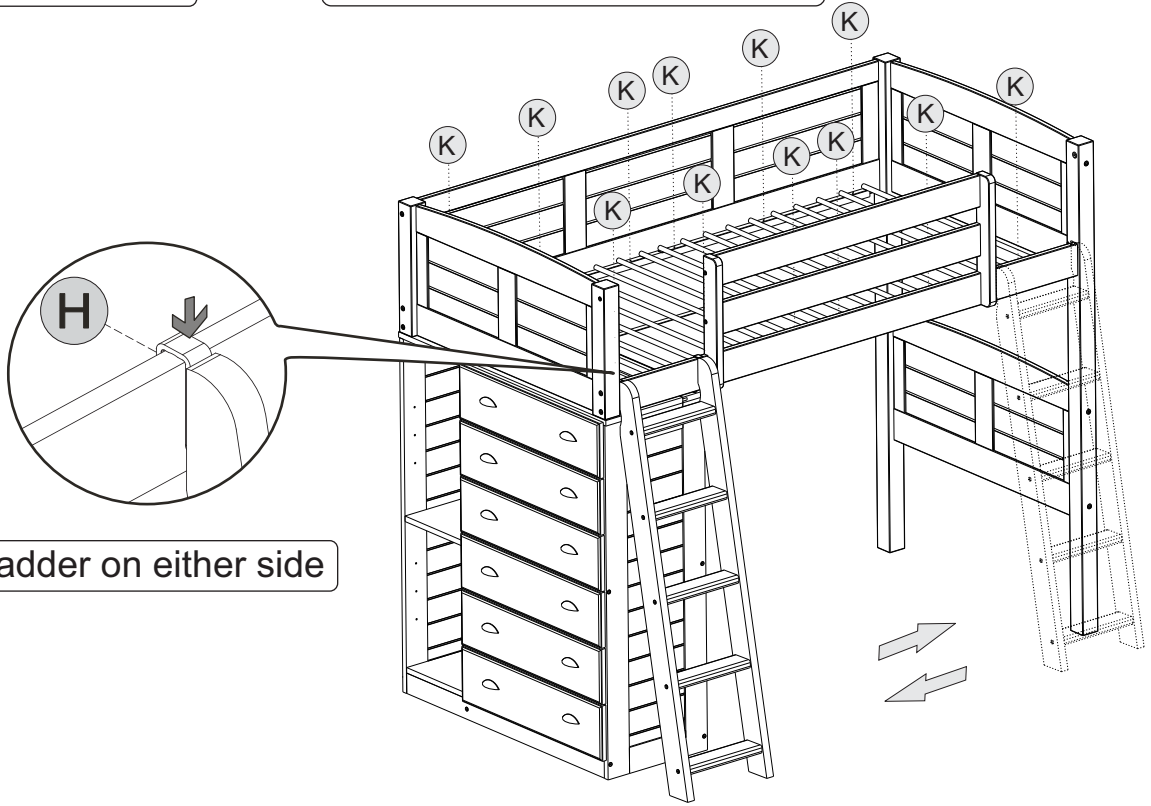
11



12

Install slats

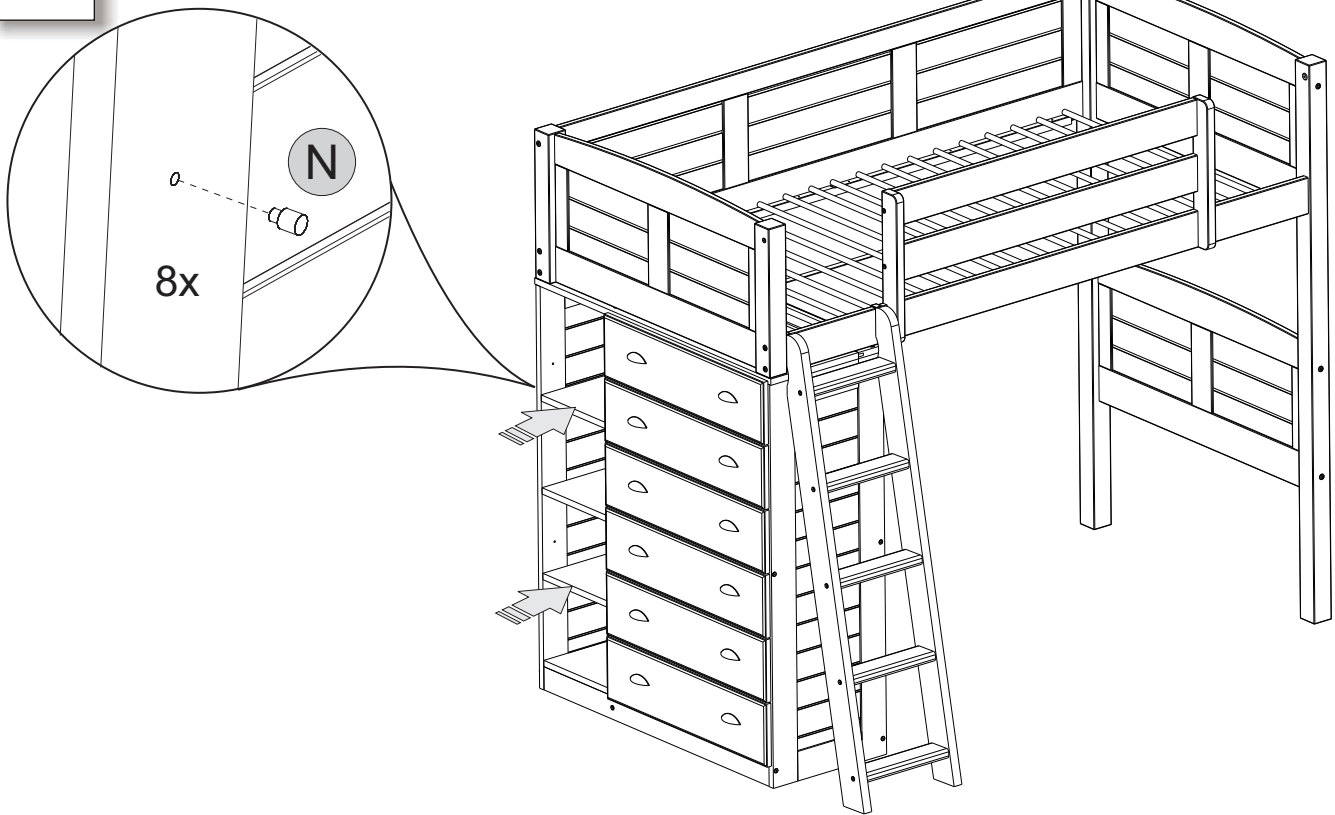
Find these screws in slat box



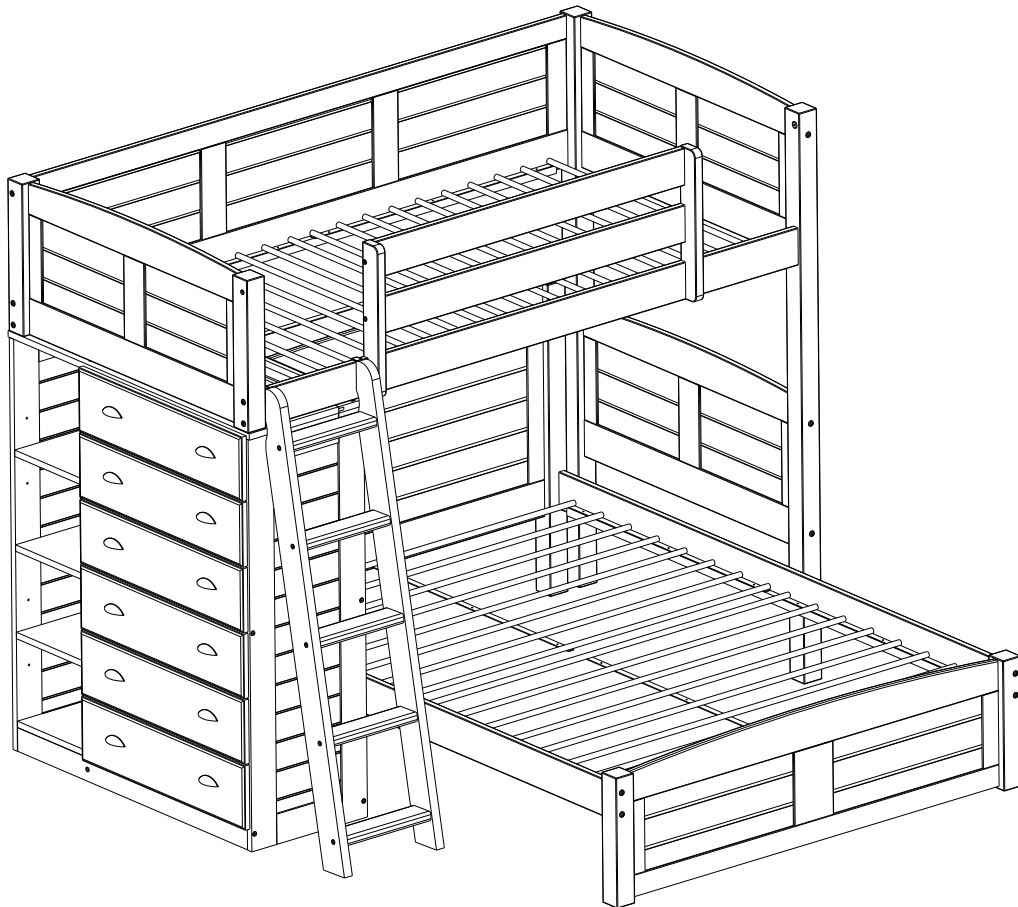
Install ladder on either side

13

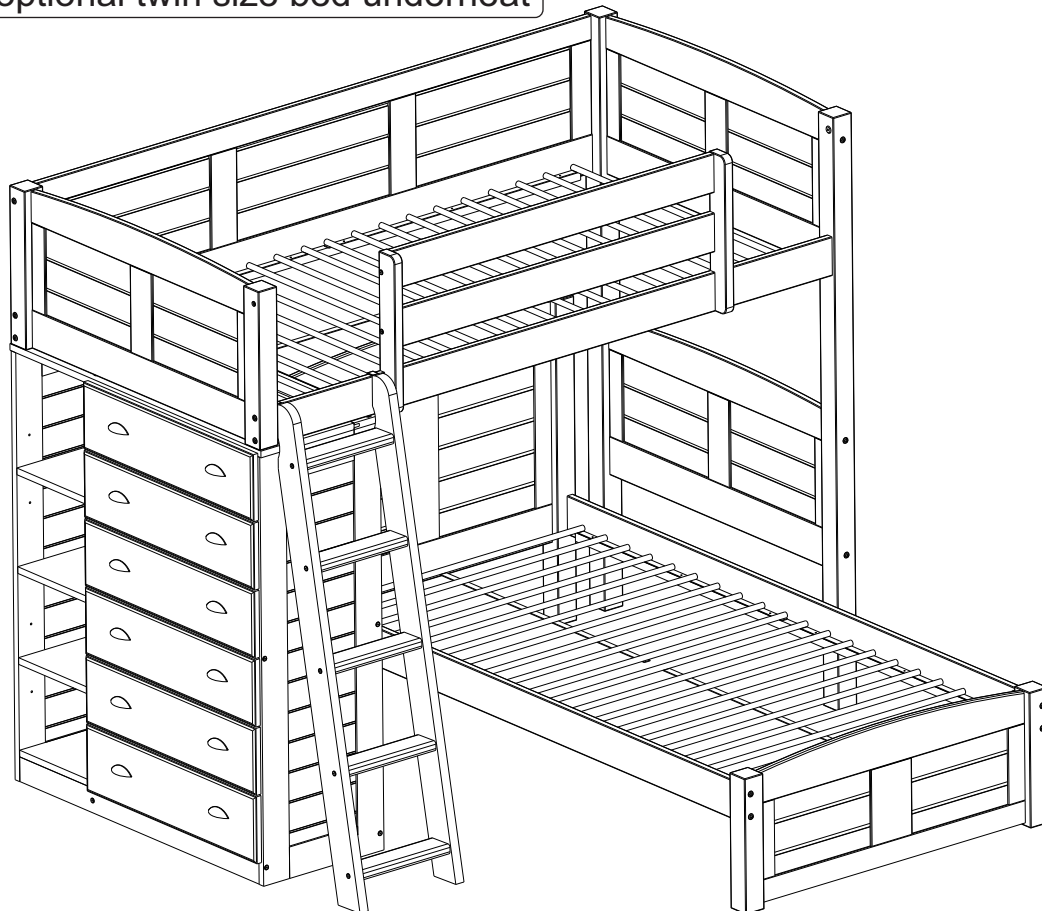
Install shelves



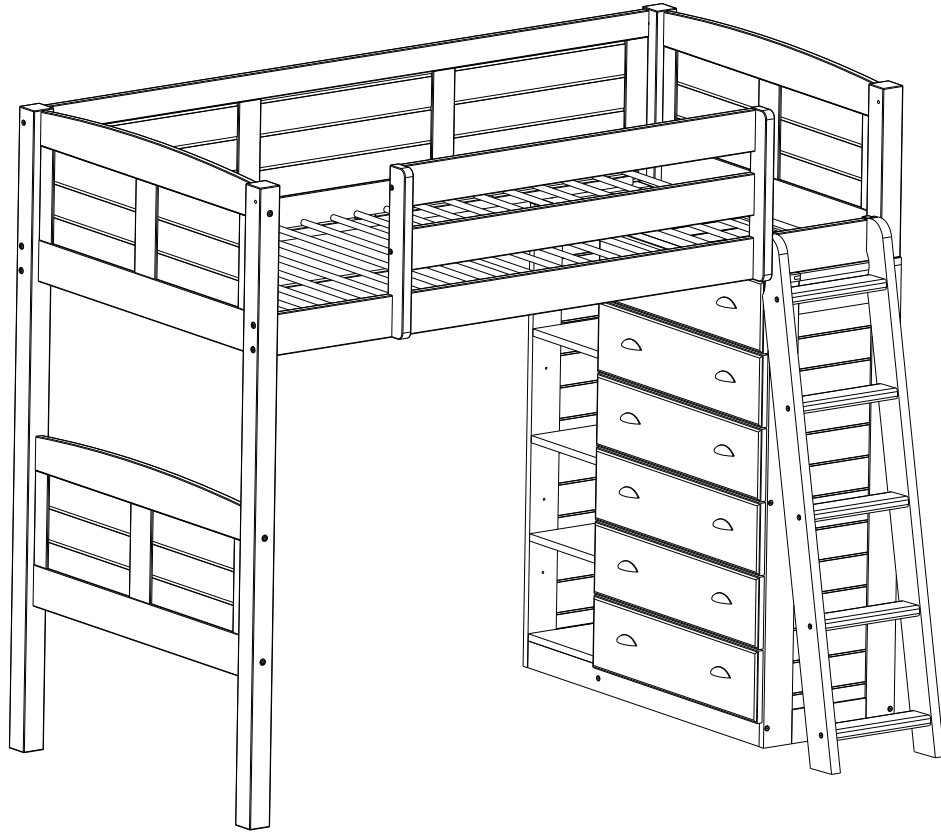
Showing with optional full size bed underneath



Showing with optional twin size bed underneath



Shown with chest facing under the bed
but reminding that accessing top drawer
will be very difficult



Shown with Desk/Hutch & Chair

