

ROOMS TO GO
KIDS
Manufactured for Rooms to Go

CREEKSIDE 2.0 COLLECTION

THANK YOU FOR YOUR PURCHASE



WARNING DANGER

Failure to follow these warnings and assembly instructions could result in serious injury or death. To help prevent serious or fatal injuries from entrapment or falls:

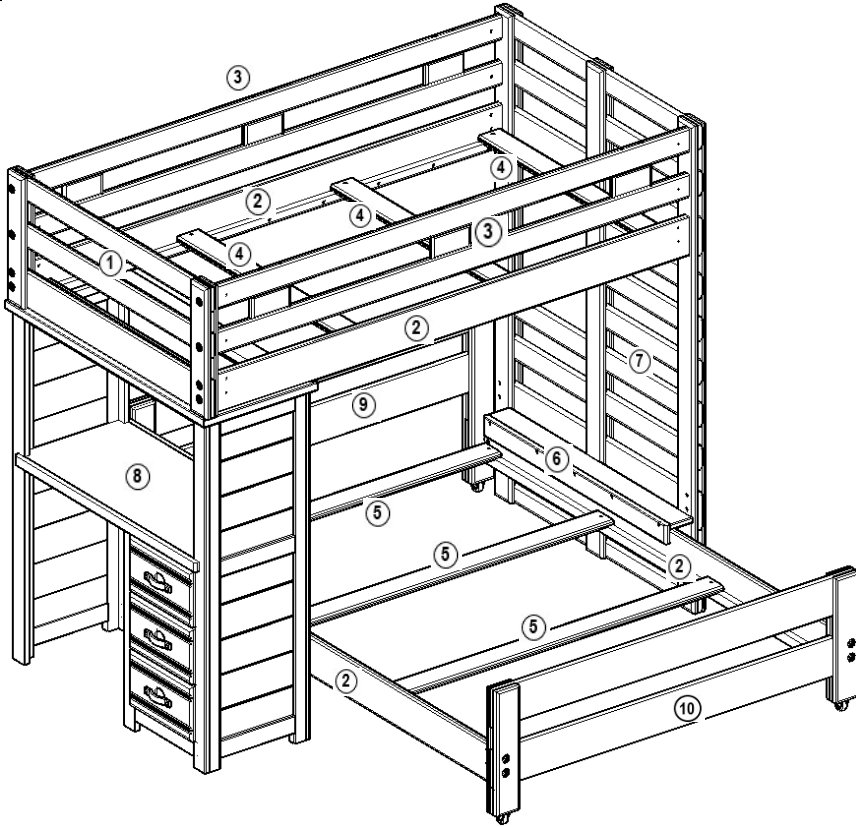
- Read all instructions before assembling bunk bed and keep these instructions for future reference.
- Before each usage or assembly, inspect bunk bed for damaged hardware, loose joints, missing parts, or sharp edges. **DO NOT** Use bunk bed if any parts are missing or broken.
- **DO NOT** Use substitute parts. Contact your local Rooms To Go or visit www.ROOMSTOGO.COM for replacement parts and instructional literature if needed.
- Follow the information on the warnings appearing on the upper bunk end structure and on the carton, **DO NOT REMOVE WARNING LABEL FROM BED.**
- Always use the recommended size mattress or mattress supports, or both to help prevent the likelihood of entrapment or falls.
- Ensure thickness of mattress and foundation combine does not exceed **10 inches (255mm)** and mattress surface is at least **5 inches (127mm)** below upper edge of guardrails.
- Do not allow children under 6 years of age to use the upper bunk.
- Periodically check and ensure that the guardrail, ladder, and other components are in their proper position, free from damage, and that all connectors are tight.
- Do not allow horseplay on or under the bed and prohibit jumping on the bed.
- Limit top bunk use to one person.
- Always use the ladder for entering and leaving the upper bunk.
- Use of night light may provide added safety precaution for a child using the upper bunk.
- Always use guardrails on both long sides of the upper bunk. If the bunk bed will be placed next to the wall, the guardrail that runs the full length of the bed should be placed against the wall to prevent entrapment between the bed and wall.
- The use of water or sleep flotation mattress is prohibited.
- This bunk bed meets all the requirements of ASTM 1427-19.



STRANGULATION HAZARD:

Never attach or hang items to any part of the bunk bed that are not designed for use with the bed; for example, but not limited to, hooks, belts, and jump ropes.

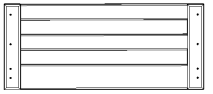
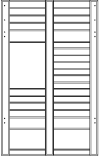





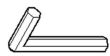
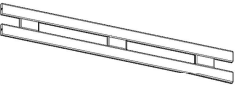
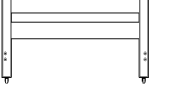
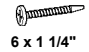

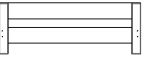
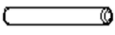

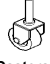

PARTS LIST



3804440P TWIN/FULL LOFT W/DESK CHARCOAL		
RTG SKU #	STYLE #	ITEM DESCRIPTION
35540409	40G-706	1 PC BUNKBED END TWIN
35740403	40G-705	TWIN LOFT END
36940408	40G-709	FULL CASTER BED HD & FT
36640402	40G-730	6 PC RAILS (2 GUARD & 4 SIDE RAILS)
36140402	40G-710	LOFT DESK
37040401	40G-735	TWIN RAIL CAP
38000232	100-645	TW. SLAT PACK (4)
38100234	100-646	FULL SLAT PACK (4)

3804441P TWIN/FULL LOFT W/DESK CHESTNUT		
RTG SKU #	STYLE #	ITEM DESCRIPTION
35540411	40B-706	1 PC BUNKBED END TWIN
35740415	40B-705	TWIN LOFT END
36940410	40B-709	FULL CASTER BED HD & FT
36640414	40B-730	6 PC RAILS (2 GUARD & 4 SIDE RAILS)
36140414	40B-710	LOFT DESK
37040413	40B-735	TWIN RAIL CAP
38000232	100-645	TW. SLAT PACK (4)
38100234	100-646	FULL SLAT PACK (4)

WARNING
 The bed slats included with this bed will not support a mattress alone, this bed requires Bunkie boards (sold separately)

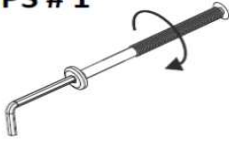
PARTS LIST		QTY	PARTS LIST		QTY	HARDWARE LIST		QTY	TOOLS NEEDED	
1		1 Pc	7		1 Pc	A		24 Pcs	Phillips screwdriver (not included) 	
2		4 Pc	8		1 Pc	B		1 Pc	Allen wrench (included) 	
3		2 Pc	9		1 Pc	C		16 Pcs		
4		4 Pc	10		1 Pc	D		2 Pcs		
5		4 Pc			E		4 Pcs			
6		1 Pc								

ASSEMBLY INSTRUCTIONS

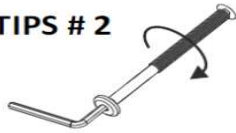
TIPS : SEE ILLUSTRATION BELOW

- 1- Use the long end of the allen wrench to fasten bolts loosely and quickly.
- 2- Use the short end of the allen wrench for final tightening

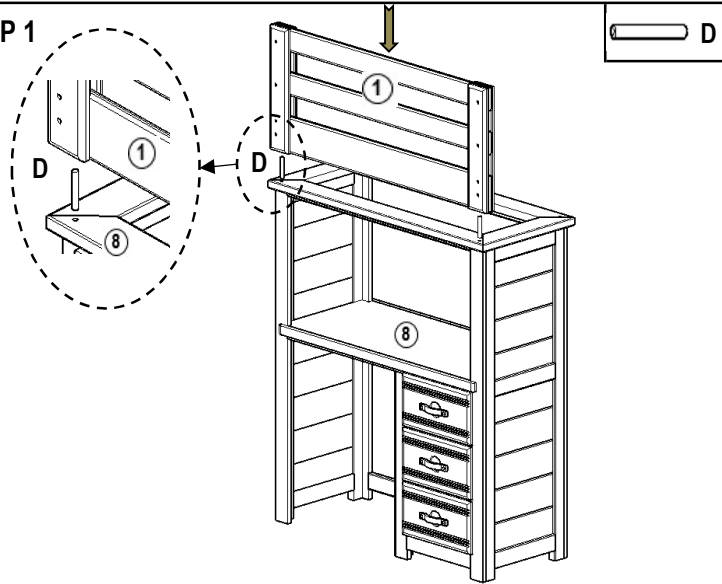
TIPS # 1



TIPS # 2

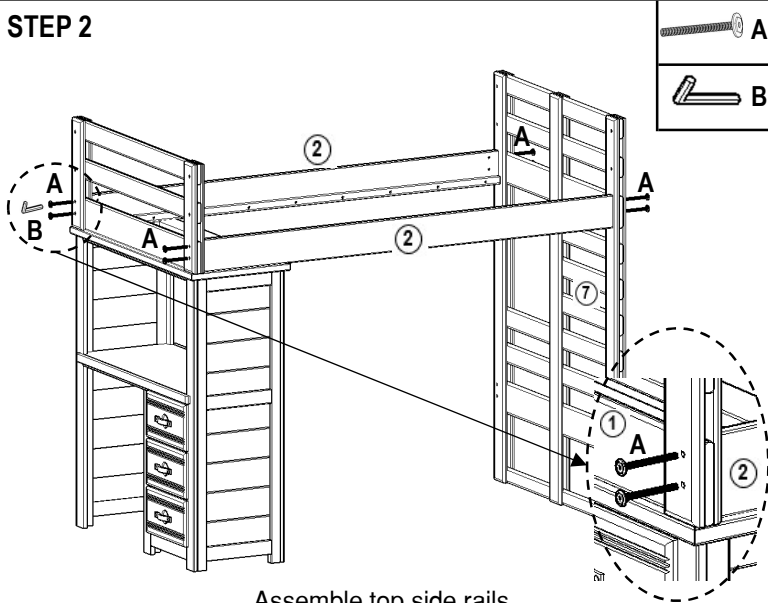


STEP 1



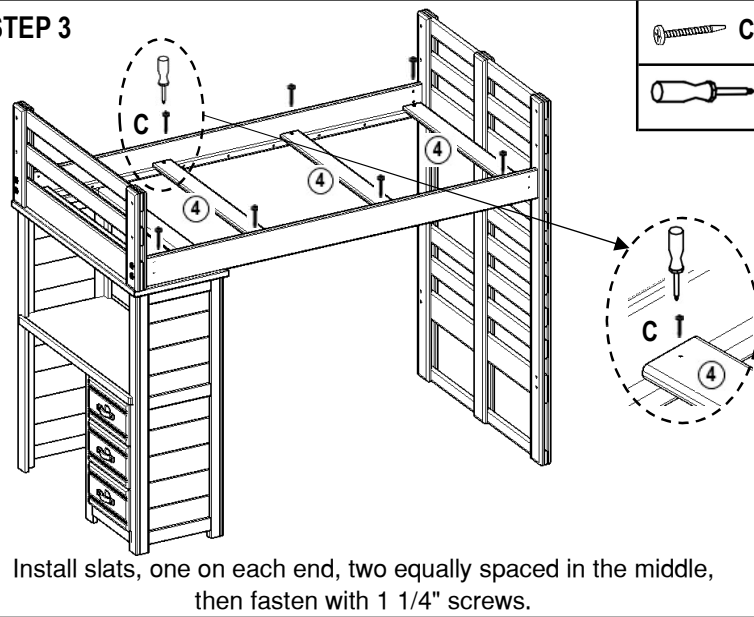
Assemble left desk and top bunk bed end.

STEP 2



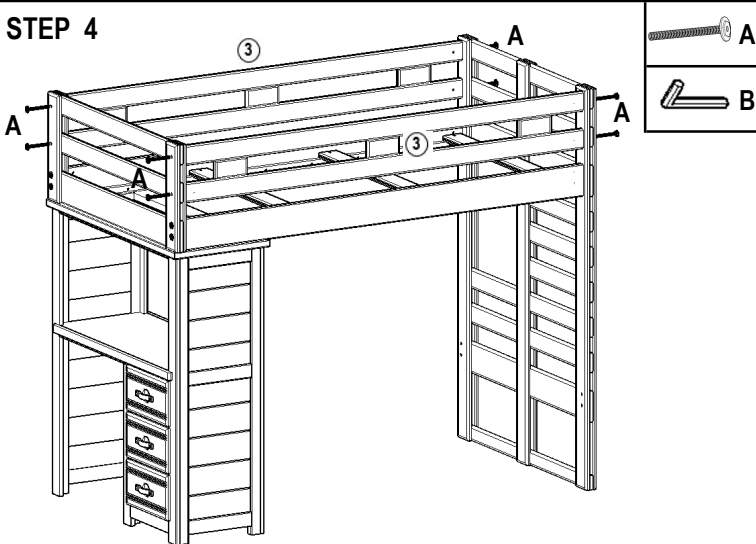
Assemble top side rails.

STEP 3



Install slats, one on each end, two equally spaced in the middle, then fasten with 1 1/4" screws.

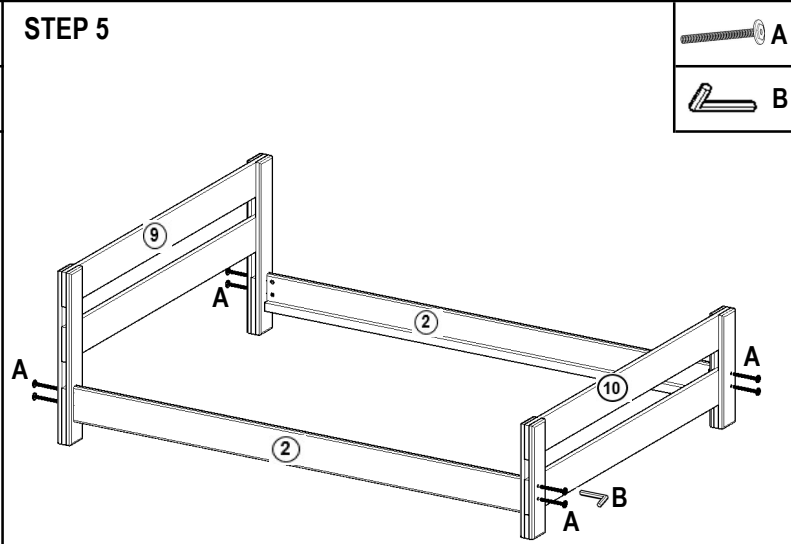
STEP 4



Assemble guardrails and tighten all bolts.

MAKE SURE ALL BOLTS ARE TIGHTENED COMPLETELY

STEP 5

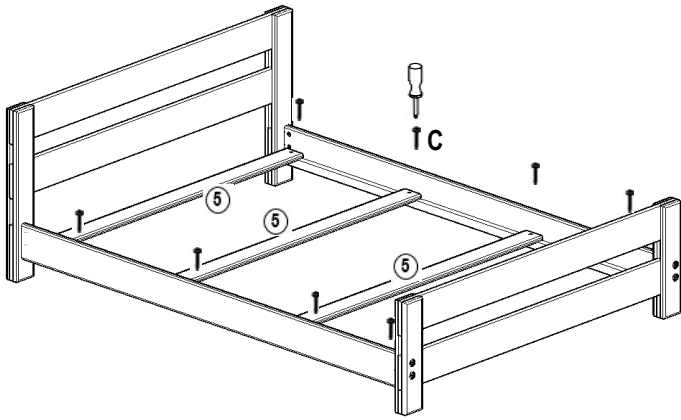
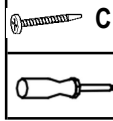


Assemble side rails

MAKE SURE ALL BOLTS ARE TIGHTENED COMPLETELY

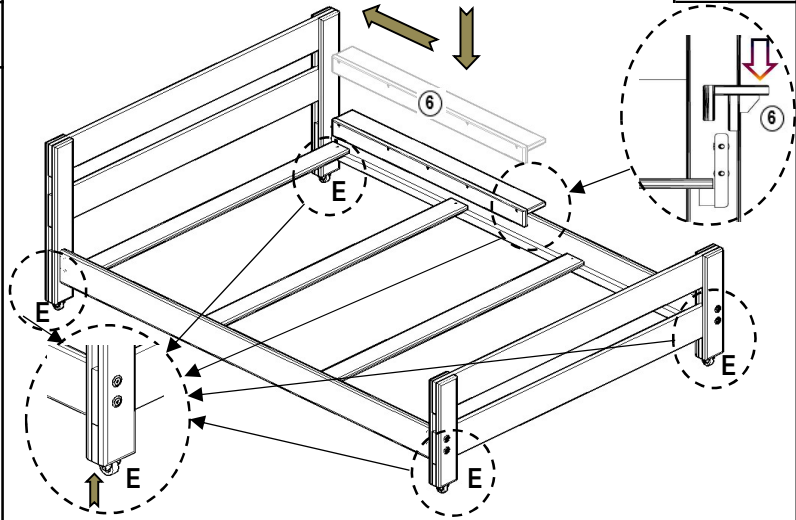
ASSEMBLY INSTRUCTIONS

STEP 6



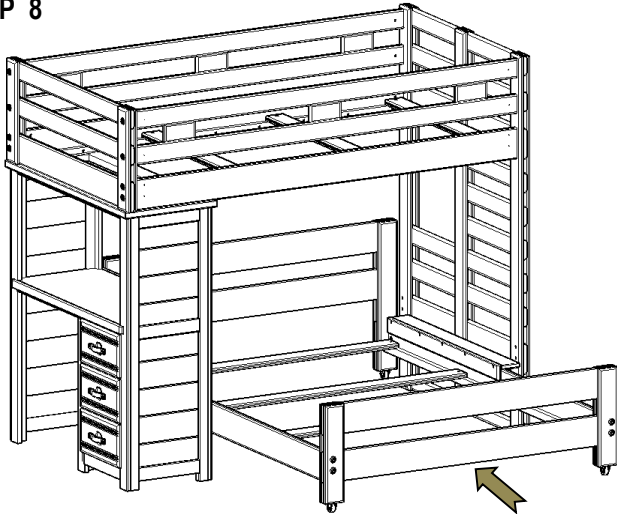
Install slats, one on each end and two equally spaced in the middle, then fasten with 1 1/4" screws

STEP 7



Install casters in headboard and footboard.

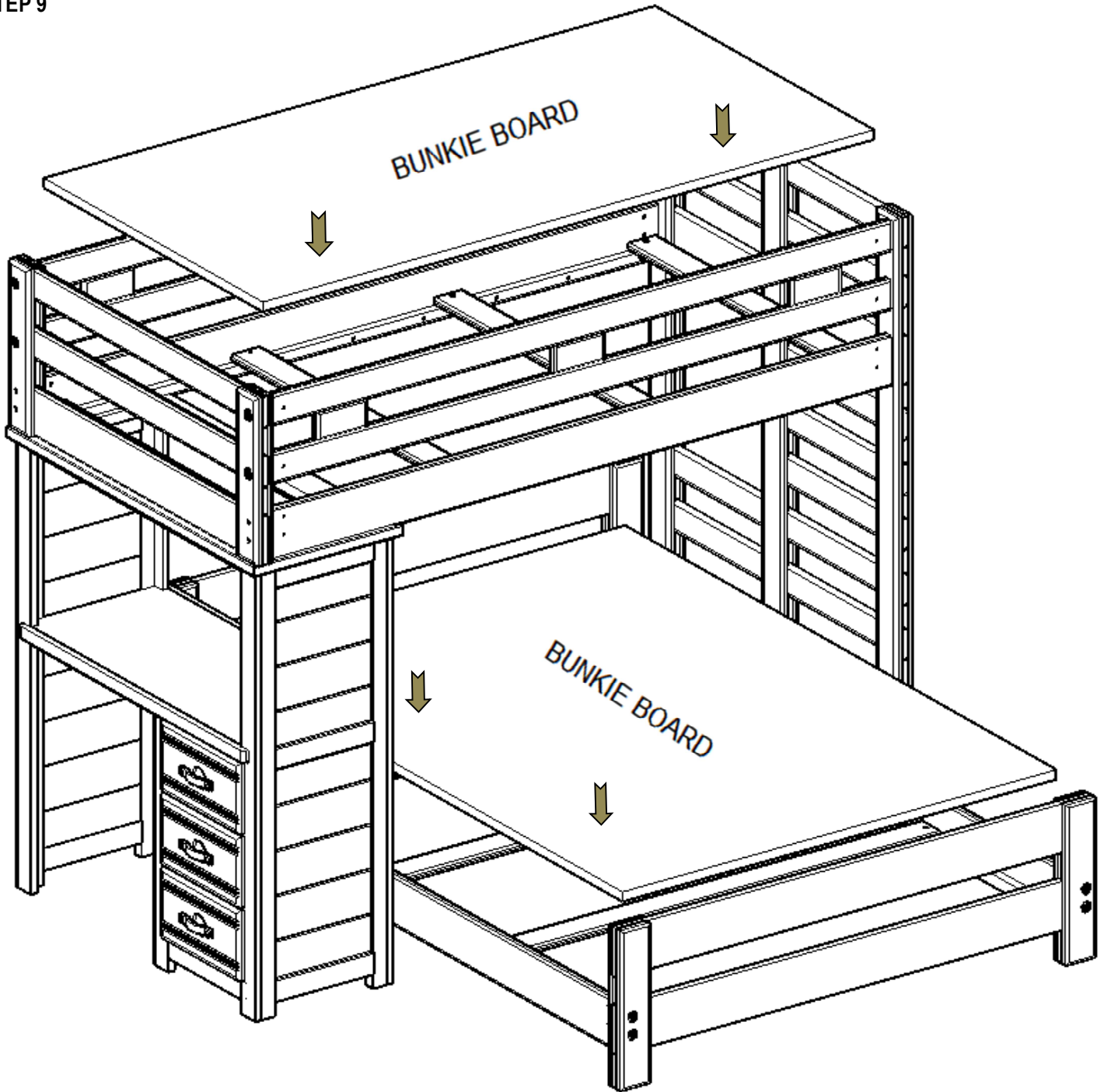
STEP 8



Install slats, one on each end and two equally spaced in the middle, then fasten with 1 1/4" screws

ASSEMBLY INSTRUCTIONS

STEP 9



Place Bunkie boards (required, sold separately) on top of the slats

Use only correct mattress dimensions and Bunkie board:

Twin size mattress- 74" - 75" long and 37-1/2" - 38-1/2" wide

Twin size Bunkie board- 74" long and 37-1/2" wide

Full size mattress- 74" - 75" long and 52-1/2" - 53-1/2" wide

Full size Bunkie board- 74" long and 52-1/2" wide

PLEASE CONTACT YOUR RETAIL STORE WITH SERVICE OR PARTS REPLACEMENT REQUEST