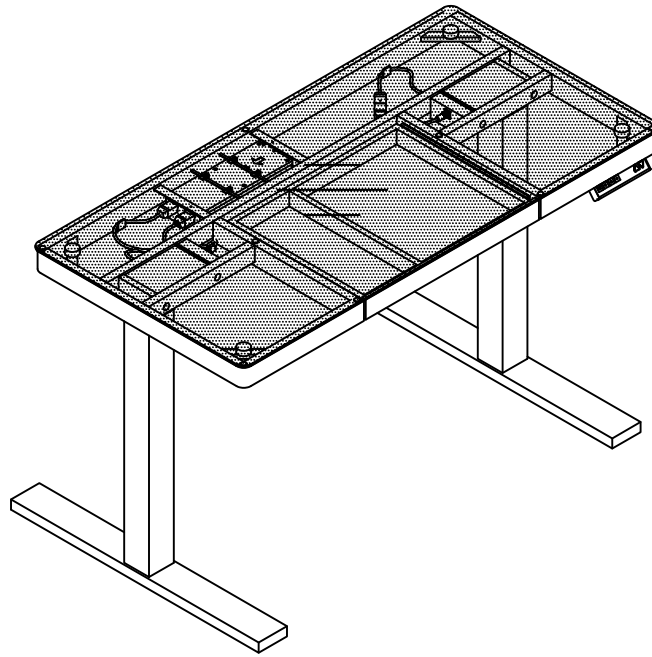




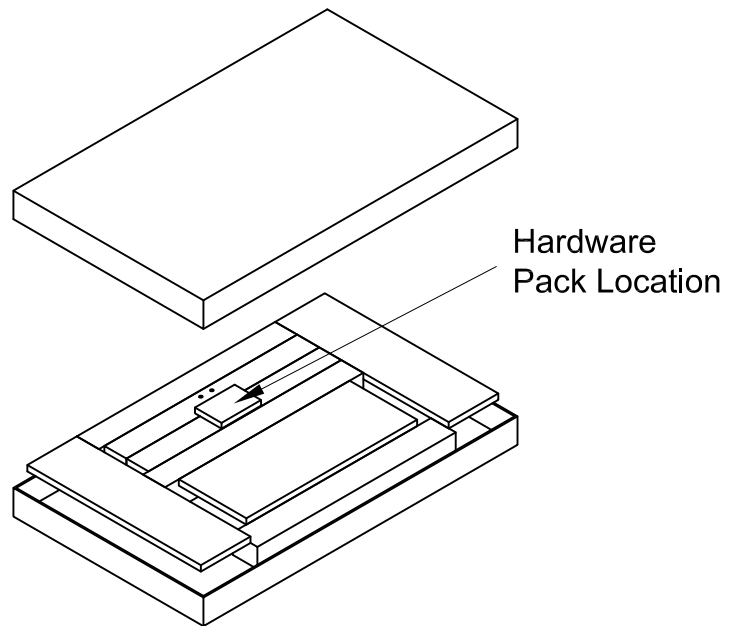

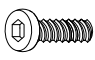

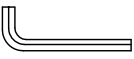


EXETER PLACE 71282BK BLACK ADJUSTABLE DESK 71283W WHITE ADJUSTABLE DESK



SKU# 30171283 (BLACK)38071281 (WHITE)			
NO.	ITEM DESCRIPTION	IMAGE	QTY
1	Metal frame		1
2	Post		2
3	Leg		2
4	Glass		1



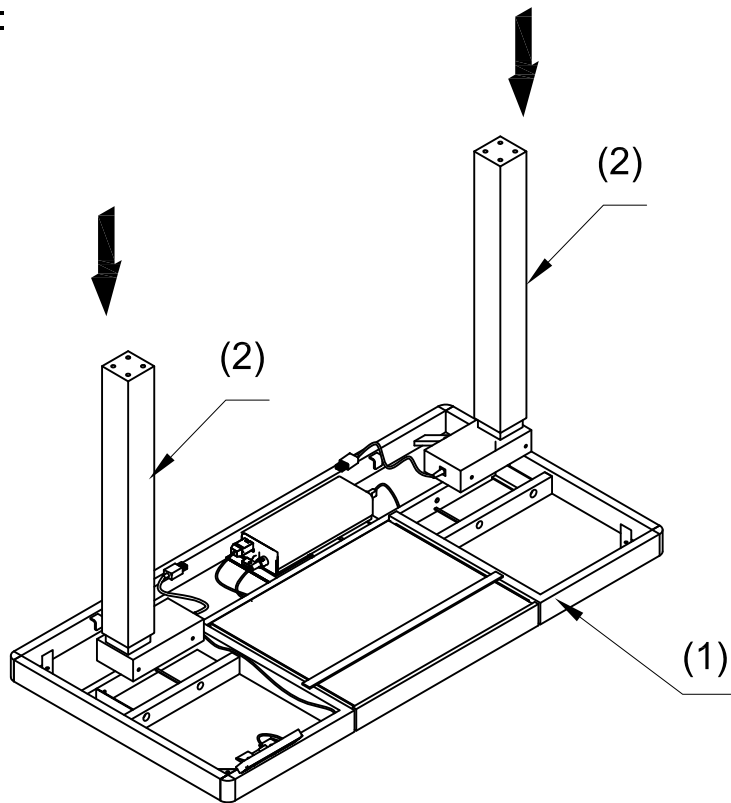
HARDWARE LIST			
NO.	ITEM DESCRIPTION	IMAGE	QTY
A	1/4"x20x3/4"		12PCS
B	1/4"x20x5/8"		8PCS
C	Suction cap		9PCS
D	4x4x80mm Allen Wrench		1PC

DO NOT USE SUBSTITUTE PARTS. PLEASE CONTACT YOUR RETAIL STORE OR WWW.ROOMSTOGO.COM WITH SERVICE OR PARTS REPLACEMENT REQUEST

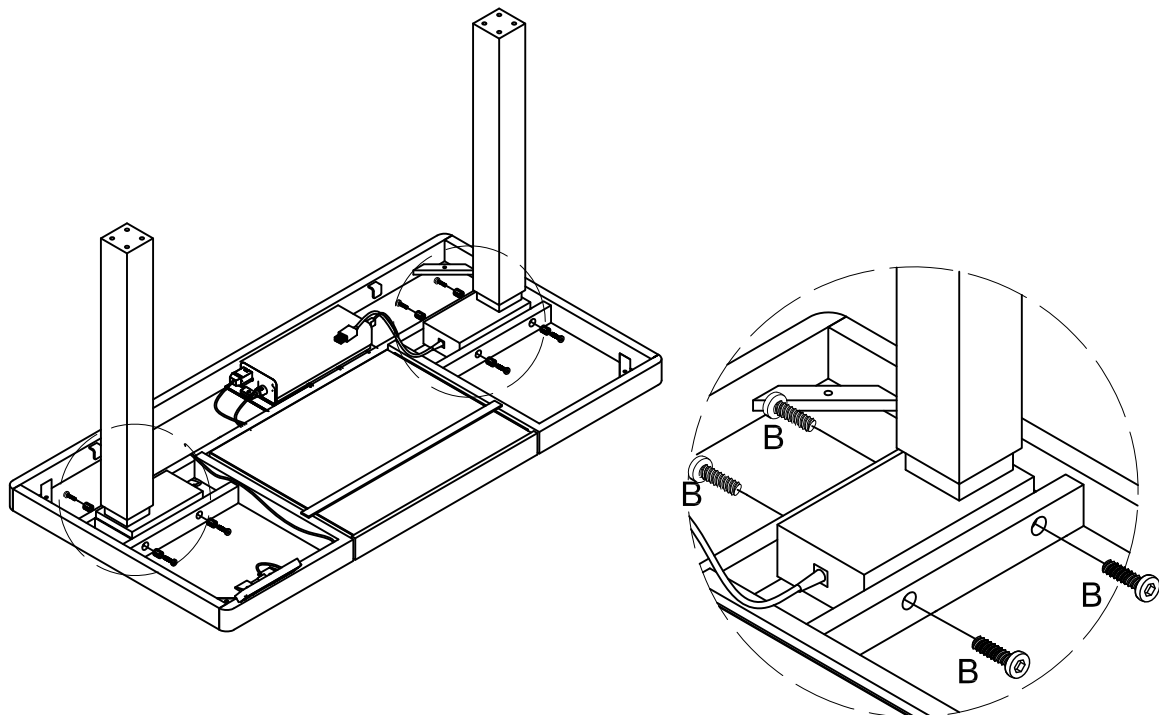
This product is manufactured by WRLW for **ROOMS TO GO** | **KIDS™**

Assembly Instructions:

STEP1:



STEP2:



DO NOT USE SUBSTITUTE PARTS. PLEASE CONTACT YOUR RETAIL STORE OR WWW.ROOMSTOGO.COM WITH SERVICE OR PARTS REPLACEMENT REQUEST

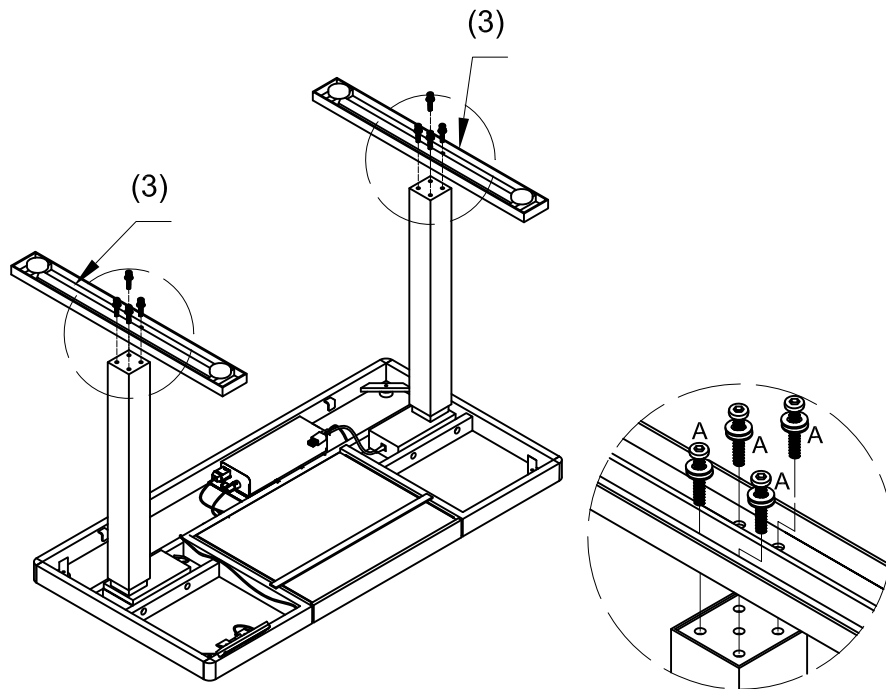
This product is manufactured by WRLW for ROOMS TO GO | KIDS™

Version 01-2021/05/27

PAGE 2 of 11

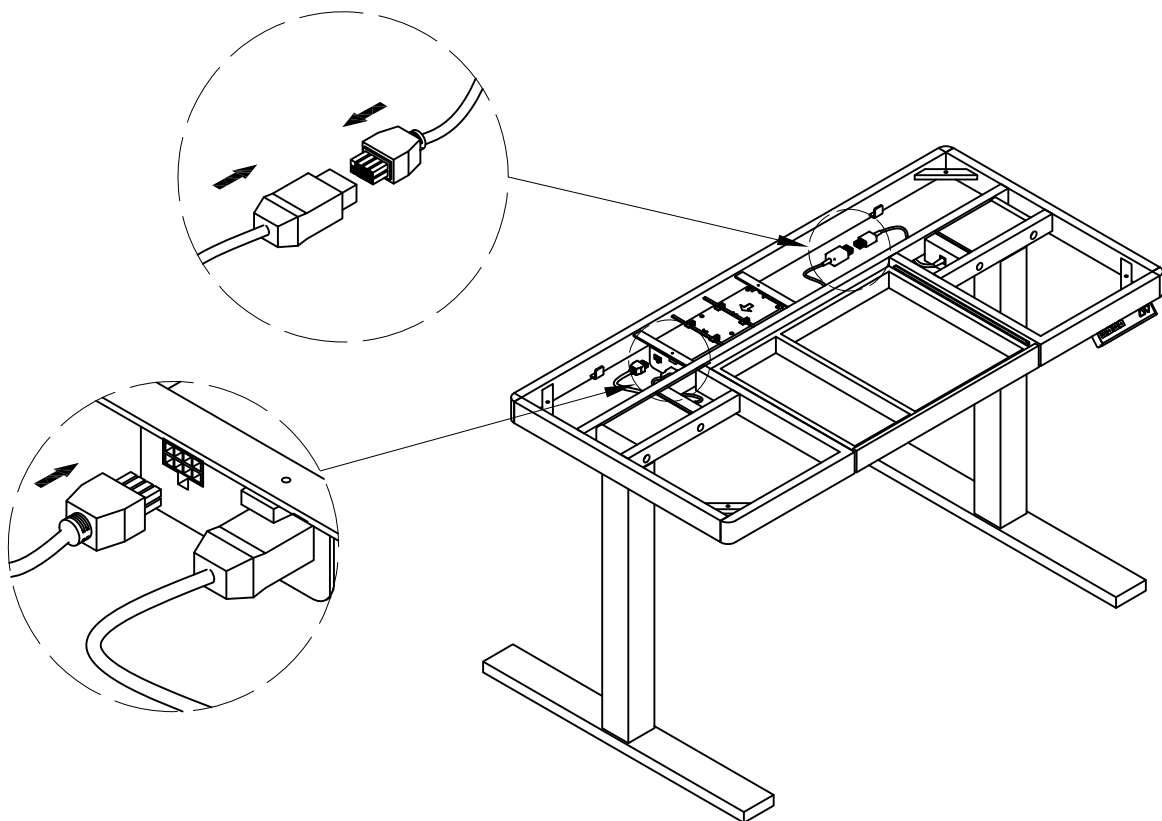
Assembly Instructions:

STEP3:



Note: Please adjust any parts out of alignment and full tighten the bolts before assemble the following steps, to prevent the looseness.

STEP4:



DO NOT USE SUBSTITUTE PARTS. PLEASE CONTACT YOUR RETAIL STORE OR WWW.ROOMSTOGO.COM WITH SERVICE OR PARTS REPLACEMENT REQUEST

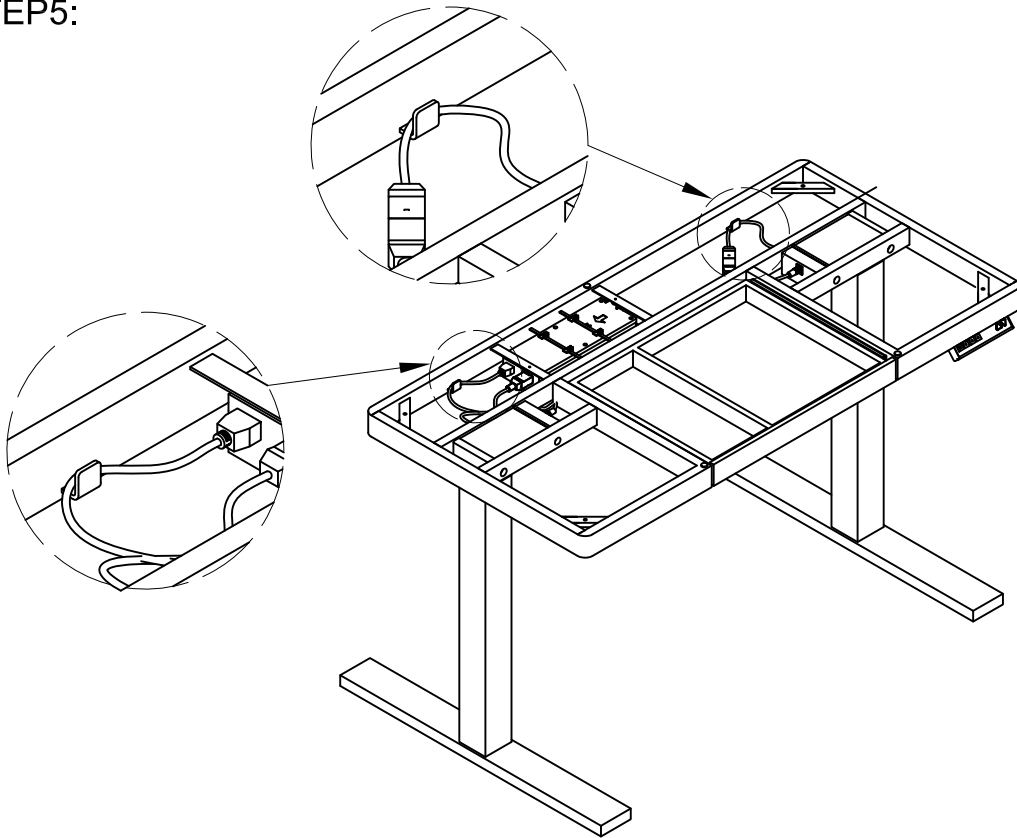
This product is manufactured by WRLW for ROOMS TO GO | KIDS™

Version 01-2021/05/27

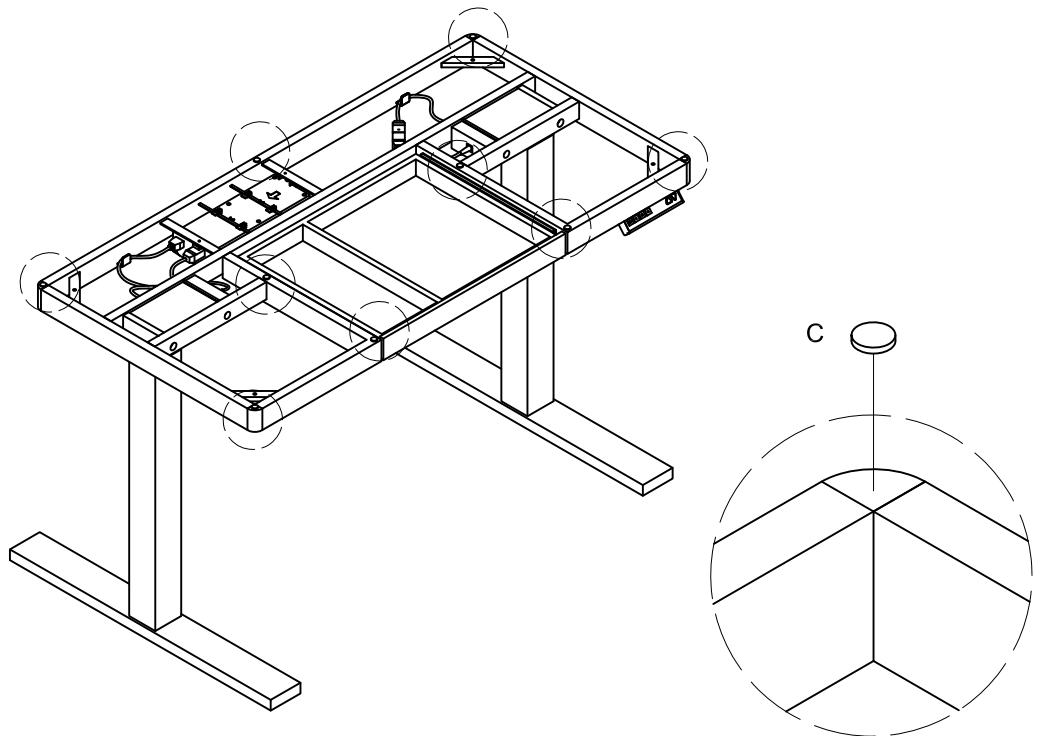
PAGE 3 of 11

Assembly Instructions:

STEP5:



STEP6:



DO NOT USE SUBSTITUTE PARTS. PLEASE CONTACT YOUR RETAIL STORE OR WWW.ROOMSTOGO.COM WITH SERVICE OR PARTS REPLACEMENT REQUEST

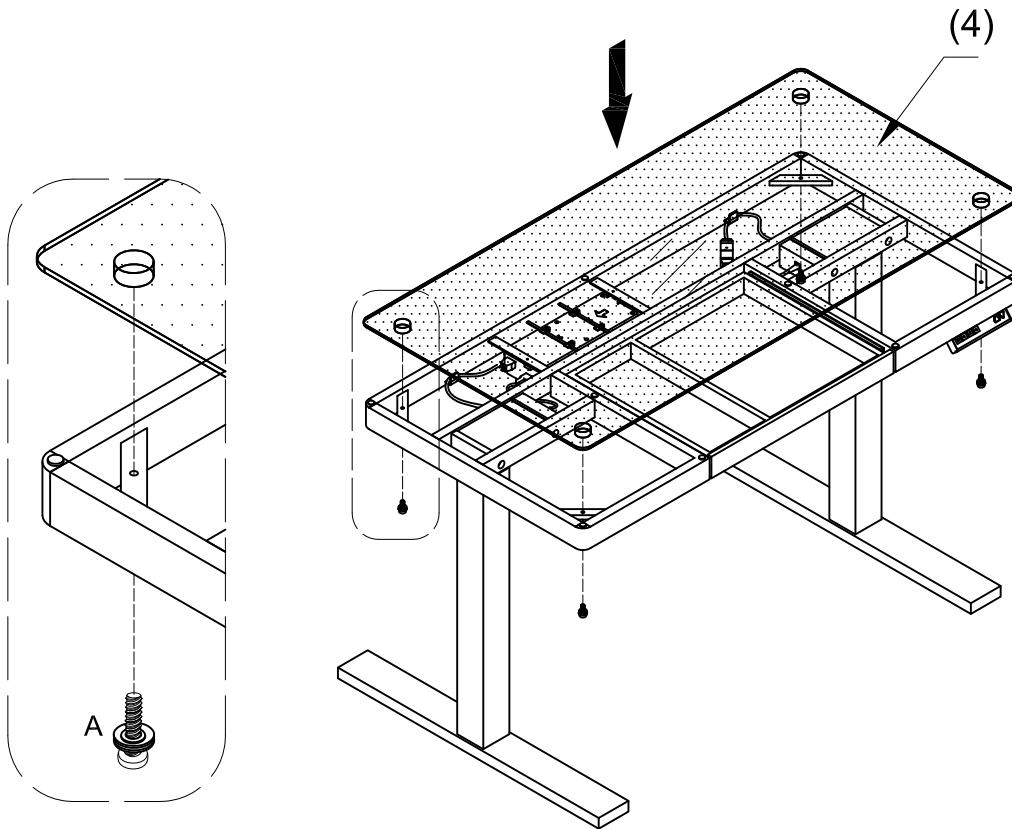
This product is manufactured by WRLW for **ROOMS TO GO** | **KIDS™**

Version 01-2021/05/27

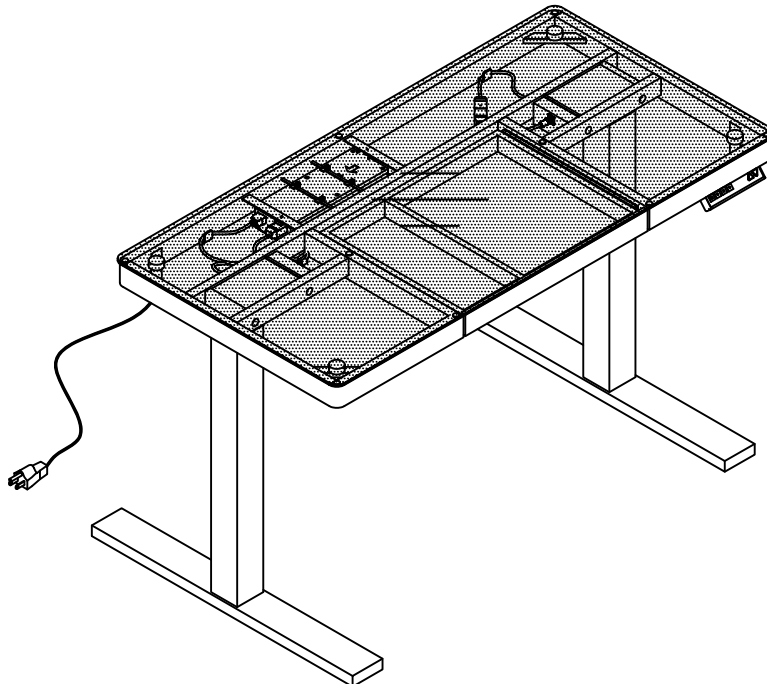
PAGE 4 of 11

Assembly Instructions:

STEP7:



STEP8:



DO NOT USE SUBSTITUTE PARTS. PLEASE CONTACT YOUR RETAIL STORE OR WWW.ROOMSTOGO.COM WITH SERVICE OR PARTS REPLACEMENT REQUEST

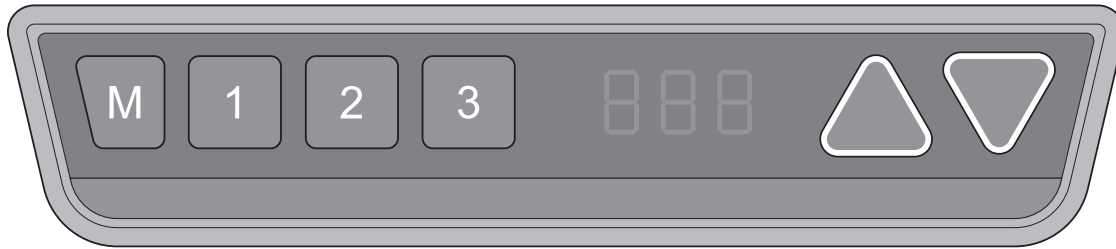
This product is manufactured by WRLW for **ROOMS TO GO** | **KIDS™**

Version 01-2021/05/27


PAGE 5 of 11




Manual:


Instruction





● Manual Reset

 It is necessary to be reset manually after the initial installation and power off.


1.   • Keep pressing down key till desktop display shows “E-1” and “rES” alternately, then release the key.
2.  • Keep pressing down key, desktop will move down slowly till display shows “60”.
3. • Release the key, the height-adjustable desk can be used normally.






 Note: The Anti-Collision function is not enabled during all resets. Please note that there is a potential risk of pinching in this case, and be sure no obstacles is in the desk’s path.

● Up and Down


1.  • Keep pressing up key till the required height is reached.
2.  • Keep pressing down key till the required height is reached.


● Saving position

 Press and hold the memory key until desk has reached the desired memory position.

1.   • Adjust the desktop to the height you want to save.
2.  • Press “M” key until display will show “S --”
3.  • Press “1”, and display will show alternately as “S-1” and desktop height.
4.  • Press “M” key, the first memory position is set successfully.
• Repeat above processes for 2nd and 3rd memory positions.

● Anti-Collision function

 Before use, please make sure to remove all objects in advance.

1.  • When desktop encounters an object in its path, the screen displays “E-2”.
• Desktop will move a defined distance in opposite direction, and it can be used normally after removing the object.

Manual:

Instruction

● **Reset the highest and lowest positions** ⓘ Do not enable this function unless you really need this adjustment.

1. **M** • Keep pressing the “M” key for 3 seconds till the display shows “S--” to enter setup menu.
2. **▲ HLP** • Press up key till the display flashes as “HLP”.
3. **1 H-P** • Press “1”, display shows alternately as “H-P” and current height.
4. **▲ ▼** • Keep pressing up key till the desired upper limit is reached.
5. **M** • Press “M”, the desktop height will be shown and the highest position has been set.
6. **2 L-P** • Press “2”, the display will show alternately “L-P” and current height, keep pressing down key till the desired lower limit position is reached, press “M” key, the lowest position has been set.

ⓘ Note: This function would be used to limit the movement area of desktop. Once it is set, the new highest or lowest position have been reset.

● **Change the displayed unit (cm/inch)**

1. **M** • Keep pressing “M” key until the display show “S--” to enter setup menu.
2. **▲ Unt** • Press “up” key, the display will show “Unt”.
3. **1** • Press “1”, and display will show alternately as “Unt” and desktop height unit by “cm”.
4. **M** • Press “M” key to save the unit as cm.
5. **2** • Press “2”, and display will show alternately as “Unt” and desktop height unit by “inch”,press key “M” to save the unit as inch.

● **Amend the desktop height displayed**


1. **M** • Keep pressing “M” key until display shows “Ur” and “OFF” alternately.
2. **▲** • Press “up” key till display shows “End” and original height.
3. **1 2** • Changing the height by press “1” to adjust the 10-digit numbers and “2” to adjust single digit numbers. (Please note that the unit is cm during this procedure).
4. **M** • Press “M” key, height has been changed to defined digit.



ⓘ Note: The function enables you to change the height shows on the display based on the actual measurement.

Manual:


Instruction


● Plug detection

 The function can detect whether motors are connected properly.

1.  • Once the display shows “E-3” and “rES”, it reminds you to check whether motor fails to connect with control unit. Please connect the main cable again and wait at least 5 seconds.
2. • Connect all the plugs.
3.  • Follow manual reset procedure.

● Reset to factory setting

 With this function, you can reset the control unit back to factory setting.

1.  • Keep pressing “M” key till the display shows “FAC”.
2. • Press “M” key, and the control unit is reset to factory setting (including memory positions, the highest and lowest positions, etc).

Manual:

Code meaning and Trouble shooting

【Code meaning】

Code	Information	Operating
rES	Manual Reset	Refer to the process of manual reset
ovr	Overloading	Remove the load on desktop till it less than 800N (175 LBS) for further operation
E-2	Anti-Collision function	It can be used normally after removing the obstacle
dut	Operated continuously without suitable rest	Stop using the desk for about 9 minutes for further operation

【Trouble shooting】

Code	Operating
E-4 / The height between two legs exceed 1 inch	Stop the operation and reset, refer to Manual reset
E-3	Check the cables and ensure they are well connected, and the height-adjustable desk can be used normally after manual reset

Technical Data

【Technical Data】

Item	Data
Input voltage	220~240VAC / 100~130VAC
output voltage	24VDC
Max loading	1000N
Height range (without desktop)	27.6" ~ 47.3"/23.7" ~ 49.3"
Duty cycle	1 min on/ 9 min off

Warning:

WARNING

Misuse can result in FIRE or DEATH by ELECTRICAL SHOCK

100~240VAC/4A
DewertOkin Technology Group Co., Ltd.
DB02.049

Read all instructions before using this furnishing.

DANGER – To reduce the risk of electric shock

1. Always unplug this furnishing from the electrical outlet before cleaning or servicing.

WARNING – To reduce the risk of burns, fire, electric shock, or injury to persons:

1. Unplug from outlet before putting on or taking off parts.
2. Never operate this furnishing if it has a damaged electrical cord or plug, if it is not working properly, or if the electrical cord or plug has been damaged or dropped into water. Stop using this furnishing and call a service center for examination and repair.
3. Keep the electrical cord and plug away from heated surfaces and other heat sources.
4. To disconnect, turn all controls to the off position, then remove plug from outlet.
5. When operating, ensure that electrical cord is not under the base, legs, or motion mechanism to avoid damage to electrical cord or plug.
6. Do not strain or stretch electrical cord.
7. Do not use extension cords or power strips.
8. Keep out of reach of children. This is not a toy.
9. Plug directly into a compatible electrical socket.
10. Do not modify the plug or use any adapters.

Warning:



El mal uso puede provocar INCENDIO o MUERTE por DESCARGA ELÉCTRICA

100~240VAC/4A
DewertOkin Technology Group Co., Ltd.
DB02.049

Leer todas las instrucciones antes de usar este mobiliario.

PELIGRO – Para reducir el riesgo de descarga eléctrica:

1. Siempre desenchufe este accesorio de la toma de corriente eléctrica antes de limpiarlo o repararlo.

ADVERTENCIA: para reducir el riesgo de quemaduras, incendios, descargas eléctricas o lesiones a personas:

1. Desenchufe del tomacorriente antes de colocar o quitar partes.
2. Nunca opere este accesorio si tiene un cable o enchufe eléctrico dañado, si no funciona correctamente, o si el cable o el enchufe eléctrico se ha dañado o se ha caído al agua. Deje de usar este equipamiento y llame a un centro de servicio para que lo examinen y lo reparen.
3. Mantenga el cable eléctrico y el enchufe lejos de superficies calientes y otras fuentes de calor.
4. Para desconectar, gire todos los controles a la posición de apagado, luego retire el enchufe del tomacorriente.
5. Al operar, asegúrese de que el cable eléctrico no esté debajo de la base, las patas o el mecanismo de movimiento para evitar dañar el cable eléctrico o el enchufe.
6. No fuerce ni estire el cable eléctrico.
7. No utilizar cables de extensión o tomas de corriente.
8. Mantener fuera del alcance de los niños. Esto no es un juguete.
9. Enchúfelo directamente a una toma de corriente compatible.
10. No modifique el enchufe ni utilice adaptadores.