

ASSEMBLY INSTRUCTIONS

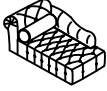
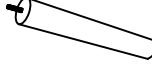
86PK/88CC/89SI-61(PINK/CHARCOAL/SILVER)		
SKU #	ITEM#	ITEM DESCRIPTION
38188000	86PK-61	PINK CHAISE
38088008	88CC-61	CHARCOAL CHAISE
38288002	89SI-61	SILVER CHAISE

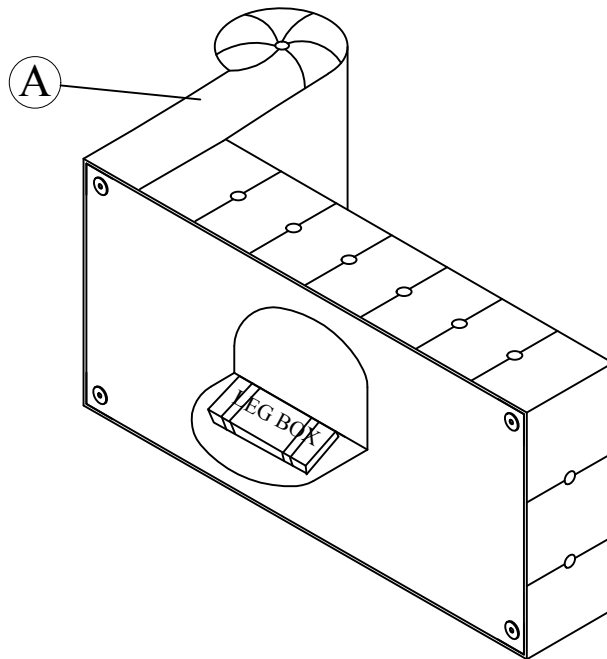
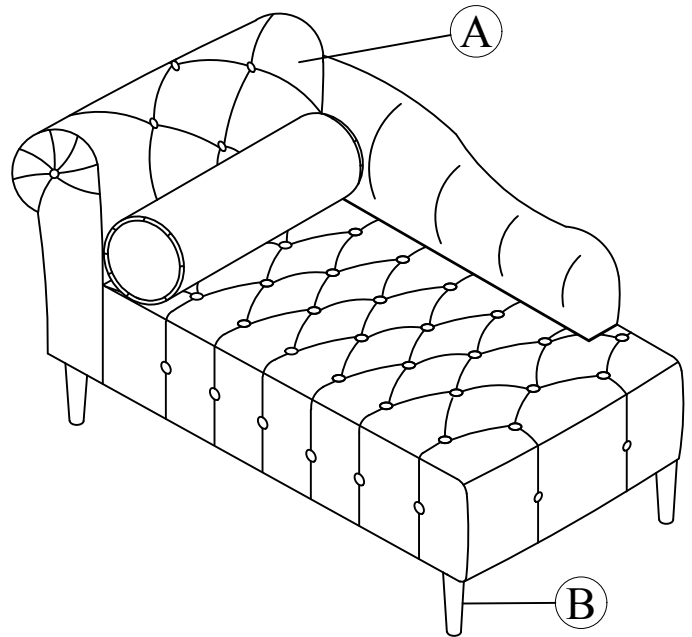
Manufactured for Rooms To Go.

Read instructions carefully prior to assembly.

Thank you for purchasing this quality product. Check carefully for small parts which may come loose during shipment. Remove all components from pack and place top down on soft surface such as carpet or cloth to prevent scratching the finish. Identify and count all parts as specified below.

It is recommended to use two or more persons during the assembly process.

Part list			
No.	Description	Sketch	Quantity
A	Chaise Body		1PC
B	Leg w/ plastic washer		4PCS



Step 1: Open the zipper of the bottom chaise to take out Leg box as shown.

ASSEMBLY INSTRUCTIONS

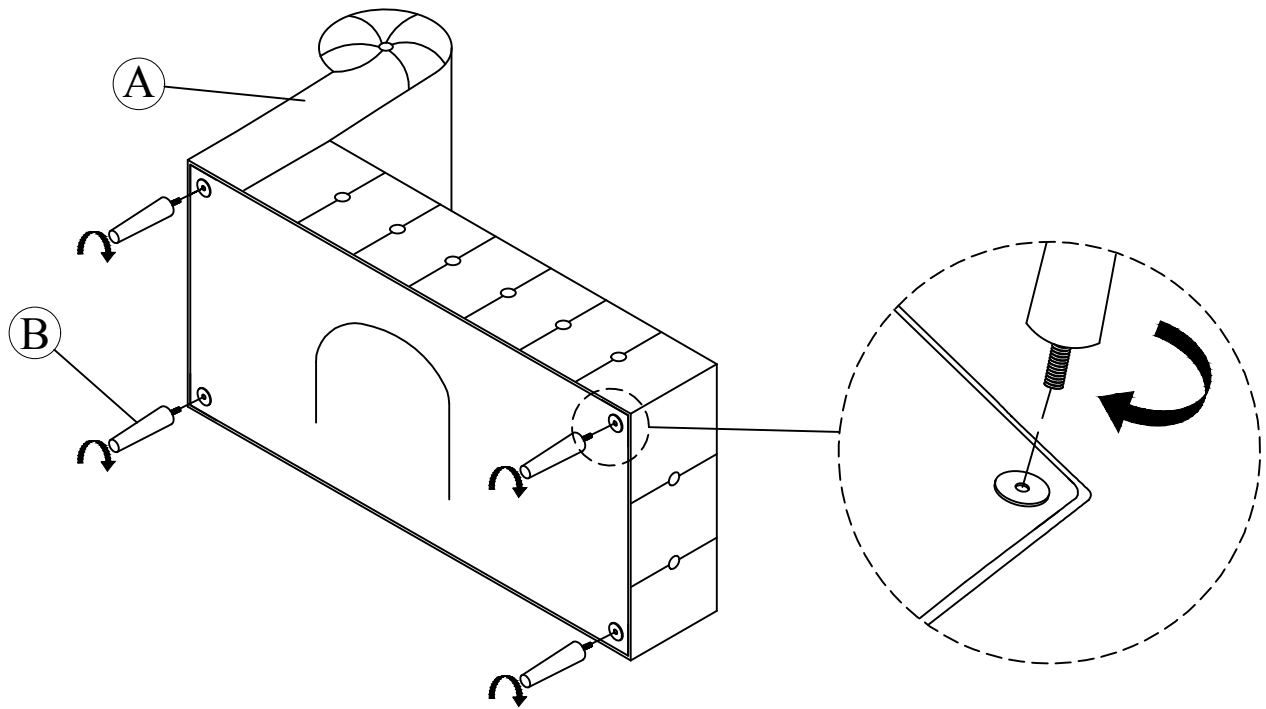
86PK/88CC/89SI-61(PINK/CHARCOAL/SILVER)		
SKU #	ITEM#	ITEM DESCRIPTION
38188000	86PK-61	PINK CHAISE
38088008	88CC-61	CHARCOAL CHAISE
38288002	89SI-61	SILVER CHAISE

Manufactured for Rooms To Go.

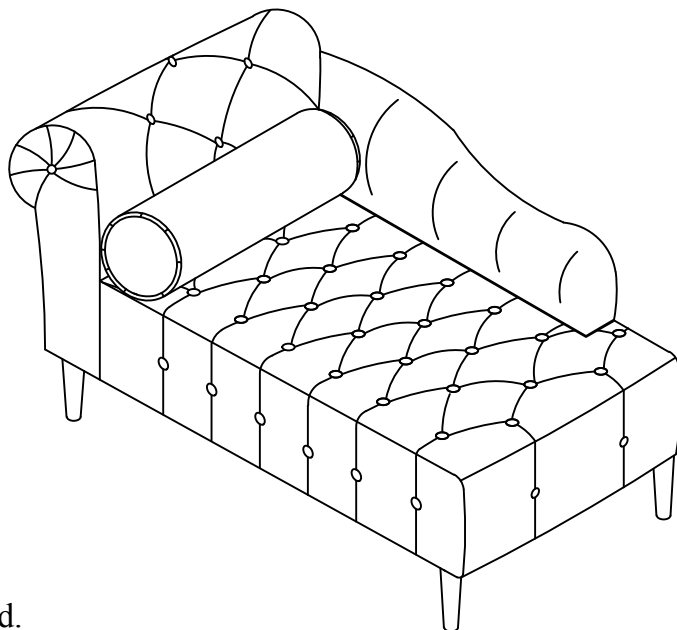
Read instructions carefully prior to assembly.

Thank you for purchasing this quality product. Check carefully for small parts which may come loose during shipment. Remove all components from pack and place top down on soft surface such as carpet or cloth to prevent scratching the finish. Identify and count all parts as specified below.

It is recommended to use two or more persons during the assembly process.



Step 2: Attach the Leg with plastic washer (B) to the Chaise Body (A) as above shown.



Assembly is completed.