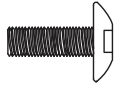
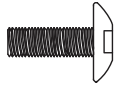
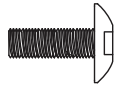





VENTURE QUEST

RTG SKU#	STYLE#	FINISH	ITEM DESCRIPTION	QTY
38102036	RCS2207-U6	BLACK	GAMING CHAIR	1PC
38502034	RCS2207-U6BL	BLACK	GAMING CHAIR	
38602036	RCS2207-U6RD	BLACK	GAMING CHAIR	

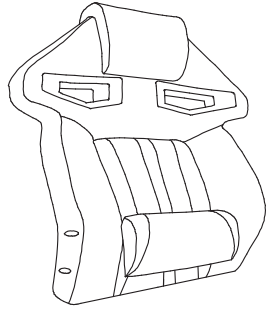


HARDWARE LIST				
A		ROUND HEAD BOLT 6x17x19mm	2 PCS	Box 2
B		ROUND HEAD BOLT 6x27x29mm	2 PCS	Box 2
C		ROUND HEAD BOLT 6x22x24mm	8 PCS	Box 4 Box 5
D		PLASTIC CAP 15x8mm	8 PCS	Box 6
E		FLAT WASHER 6x18mm	4 PCS	Box 2
F		ALLEN WRENCH	1 PCS	

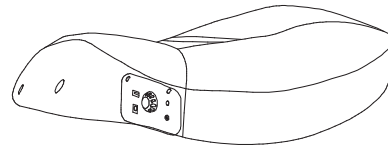
DO NOT USE SUBSTITUTE PARTS. PLEASE CONTACT YOUR RETAIL STORE OR WWW.ROOMSTOGO.COM WITH SERVICE OR PARTS REPLACEMENT REQUEST

Assembly Instructions - Important:

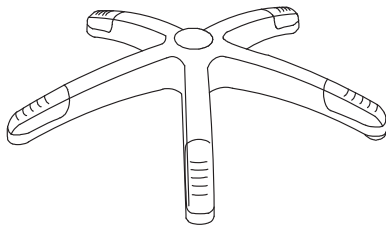
Carefully unpack and identify each component before attempting to assemble. Refer to parts list. Please take care when assembling the unit and always set the parts on a clean, soft surface. If you require any assistance with assembly, parts or information on other products, please visit our website: www.Roomstogo.com or call or write us.



1 (Backrest) - 1 Piece



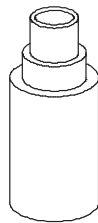
2 (Seat) - 1 Piece



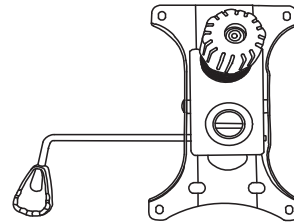
3 (Base) - 1 Piece



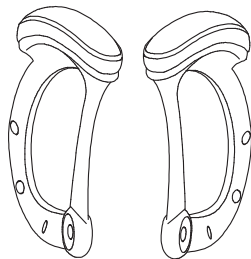
4 (Pneumatic Cylinder) - 1 Piece



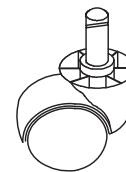
5 (Bellows) - 1 Piece



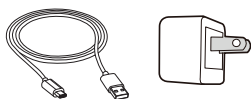
6 (Seat Plate) - 1 Piece



7 - (Arms 5L & 5R) - 2 Pieces



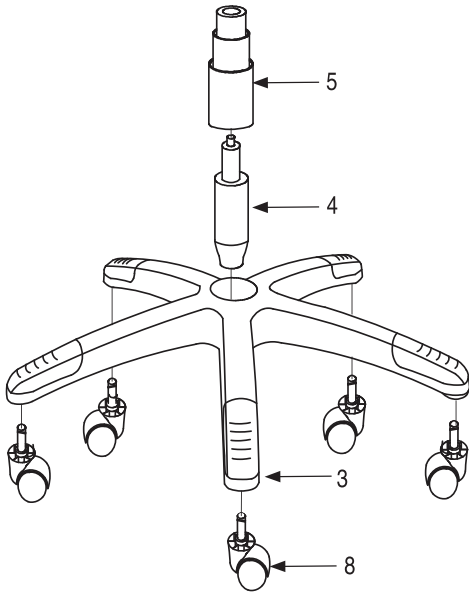
8 (Caster) - 5 Pieces



9 (auxiliary cord) - 1 Piece

DO NOT USE SUBSTITUTE PARTS. PLEASE CONTACT YOUR RETAIL STORE OR WWW.ROOMSTOGO.COM WITH SERVICE OR PARTS REPLACEMENT REQUEST

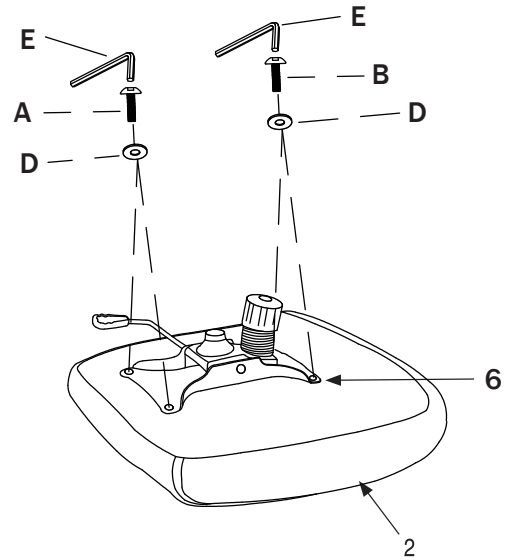
Step 1



Insert five Casters (8) into Base (3), push hard until you feel or hear the Caster (8) snap into place. Insert Pneumatic Cylinder (4) into Base (3) and slip Bellows (5) over Pneumatic Cylinder (4).

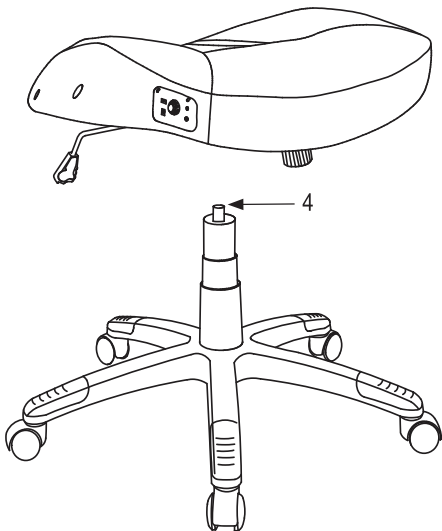
Step 2

Box 2



Attach Seat Plate (6) to Seat (2) using four Flat Washers (D) and four Round Head Bolts (A).
FULLY TIGHTEN BOLTS USING ALLEN WRENCH (F).

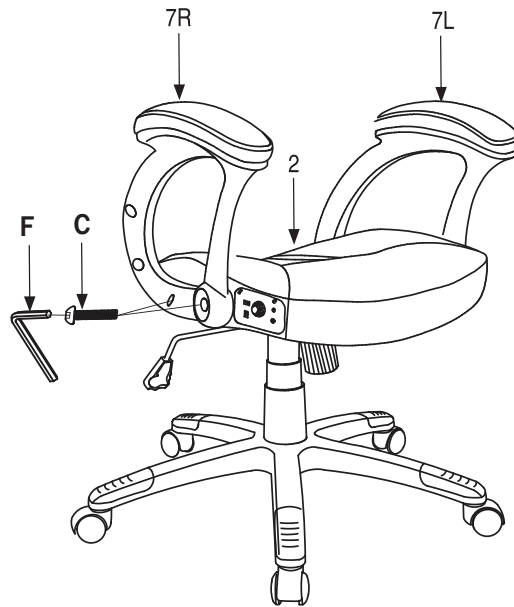
Step 3



Place assembled seat onto Pneumatic Cylinder (4) and apply downward pressure.

Step 4

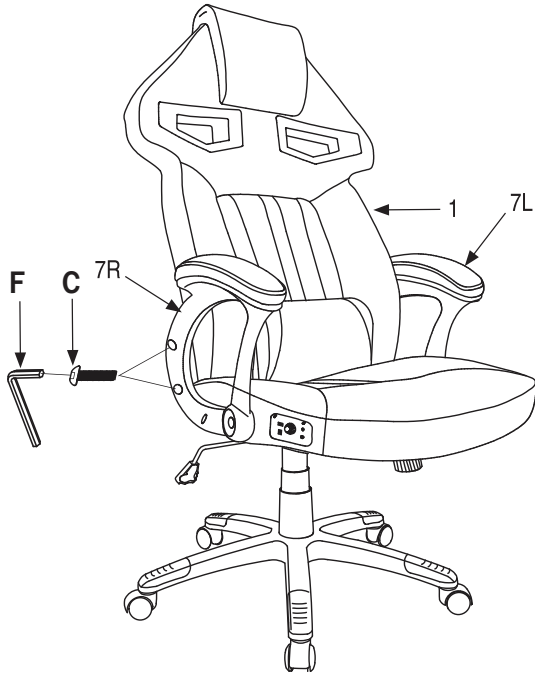
Box 4



Attach Arms (7L & 7R) to Seat (2) using two Round Head Bolts (A) for each Arm (7). **DO NOT FULLY TIGHTEN BOLTS.**

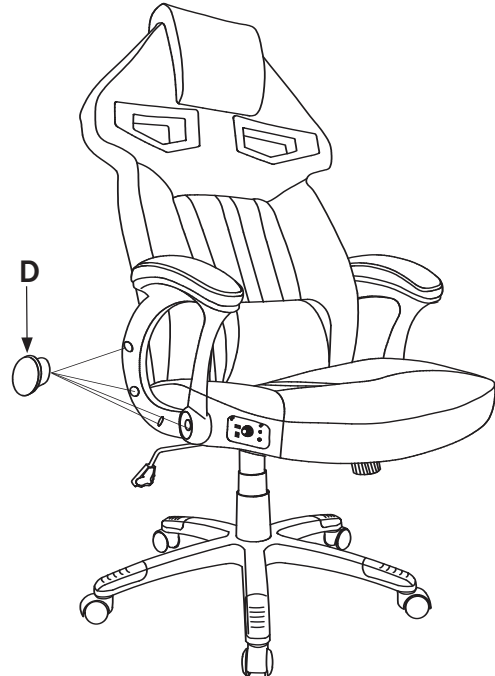
DO NOT USE SUBSTITUTE PARTS. PLEASE CONTACT YOUR RETAIL STORE OR WWW.ROOMSTOGO.COM WITH SERVICE OR PARTS REPLACEMENT REQUEST

Step 5



Slide Backrest (1) between Arms (7L & 7R) and secure using two Round Head Bolts (A) for each Arm (7). **FULLY TIGHTEN BOLTS USING ALLEN WRENCH (E).**

Step 6



Cover holes in Arms (7L & 7R) using four Plastic Caps (C) for each Arm (7).

Step 7



Connect auxiliary cord.

Step 8

DO NOT USE SUBSTITUTE PARTS. PLEASE CONTACT YOUR RETAIL STORE OR WWW.ROOMSTOGO.COM WITH SERVICE OR PARTS REPLACEMENT REQUEST

This product is manufactured by (BLMD) for **ROOMS TO GO | KIDS™**

Version#:2022.8

Page:4



FEATURE

• HEIGHT ADJUSTMENT

To raise seat remove pressure from seat and lift lever (1). To lower seat height sit on chair and lift lever(1).

NOTE: It is normal for chair to slightly lower under body weight.

• LOCKING TILT ADJUSTMENT

For individual comfort, this chair has been equipped with an adjustment that will allow the user to change the tension of the tilting feature. Turn knob (2) clockwise to increase tension and counter-clockwise to decrease or ease the tension. To lock return chair to the upright position and push lever (1) in. To unlock pull lever (1) out.

NOTE: Be careful not to loosen back tilt adjustment knob completely.

IMPORTANT SAFETY INSTRUCTIONS



WARNING

Misuse can result in FIRE or DEATH by ELECTRICAL SHOCK

5 VDC / 2.0 A
BLUE IRON HOLDINGS LTD
BI12T-050200-BdU

Read all instructions before using this furnishing.

DANGER – To reduce the risk of electric shock:

1. Always unplug this furnishing from the electrical outlet before cleaning or servicing.

WARNING – To reduce the risk of burns, fire, electric shock, or injury to persons:

1. Unplug from outlet before putting on or taking off parts.
2. Never operate this furnishing if it has a damaged electrical cord or plug, if it is not working properly, or if the electrical cord or plug has been damaged or dropped into water. Stop using this furnishing and call a service center for examination and repair.
3. Keep the electrical cord and plug away from heated surfaces and other heat sources.
4. To disconnect, turn all controls to the off position, then remove plug from outlet.
5. When operating, ensure that electrical cord is not under the base, legs, or motion mechanism to avoid damage to electrical cord or plug.
6. Do not strain or stretch electrical cord.
7. Do not use extension cords or power strips.
8. Keep out of reach of children. This is not a toy.
9. Plug directly into a compatible electrical socket.
10. Do not modify the plug or use any adapters.

DO NOT USE SUBSTITUTE PARTS. PLEASE CONTACT YOUR RETAIL STORE OR WWW.ROOMSTOGO.COM WITH SERVICE OR PARTS REPLACEMENT REQUEST

This product is manufactured by (BLMD) for ROOMSTOGO | KIDS™
Version#:2022.8 Page:6

INSTRUCCIONES DE SEGURIDAD IMPORANTES



WARNING

El mal uso puede provocar **INCENDIO** o **MUERTE** por **DESCARGA ELÉCTRICA**

5 VDC / 2.0 A
BLUE IRON HOLDINGS LTD
BI12T-050200-BdU

Leer todas las instrucciones antes de usar este mobiliario.

PELIGRO – Para reducir el riesgo de descarga eléctrica:

1. Siempre desenchufe este accesorio de la toma de corriente eléctrica antes de limpiarlo o repararlo.

ADVERTENCIA: para reducir el riesgo de quemaduras, incendios, descargas eléctricas o lesiones a personas:

1. Desenchufe del tomacorriente antes de colocar o quitar partes.
2. Nunca opere este accesorio si tiene un cable o enchufe eléctrico dañado, si no funciona correctamente, o si el cable o el enchufe eléctrico se ha dañado o se ha caído al agua. Deje de usar este equipamiento y llame a un centro de servicio para que lo examinen y lo reparen.
3. Mantenga el cable eléctrico y el enchufe lejos de superficies calientes y otras fuentes de calor.
4. Para desconectar, gire todos los controles a la posición de apagado, luego retire el enchufe del tomacorriente.
5. Al operar, asegúrese de que el cable eléctrico no esté debajo de la base, las patas o el mecanismo de movimiento para evitar dañar el cable eléctrico o el enchufe.
6. No fuerce ni estire el cable eléctrico.
7. No utilizar cables de extensión o tomas de corriente.
8. Mantener fuera del alcance de los niños. Esto no es un juguete
9. Enchúfelo directamente a una toma de corriente compatible.
10. No modifique el enchufe ni utilice adaptadores.

DO NOT USE SUBSTITUTE PARTS. PLEASE CONTACT YOUR RETAIL STORE OR WWW.ROOMSTOGO.COM WITH SERVICE OR PARTS REPLACEMENT REQUEST

This product is manufactured by (BLMD) for
Version#:2022.8

ROOMS TO GO | KIDS™
Page:7