

ROOMS  
TO GO ►




## ASSEMBLY INSTRUCTION

TEAE AD279 SOFA

SKU# 38002793,38102795,38202797,38302799



Thank you for purchasing this quality product. Be sure to check all packing material carefully for small parts which may have come loose inside the carton during shipment. Identify and count all parts and compare with the hardware list below.

### Part List

Item	Description		QTY
A	SOFA		1
B	PILLOW		1
C	WOOD LEGS		4

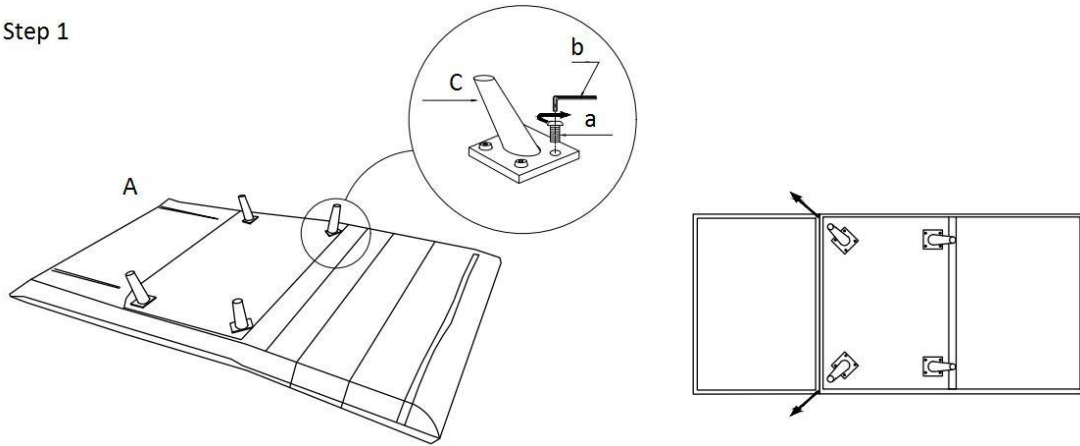


### Hardware List

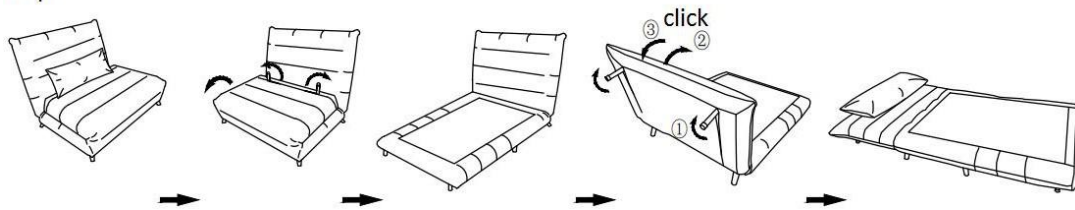
Item	Description		QTY
a	Screw	M6*20MM 	16
b	Wrench	M5 (8MM*2MM) 	1

MADE IN CHINA

Step 1

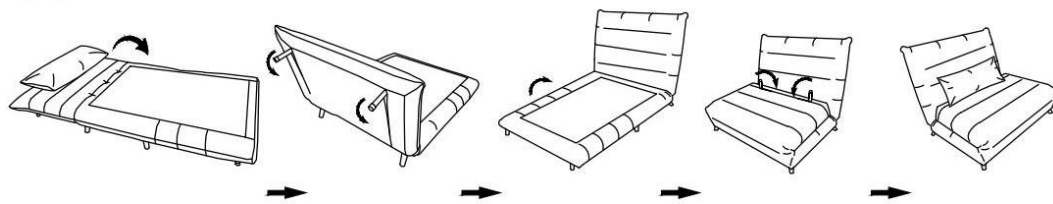


Step 2



There are 2 metal legs inside the pouch on both ends.

Step 3



There is an adjustable mechanism frame inside the sleeper back, please push the back forward before adjusting to next position.

MADE IN CHINA