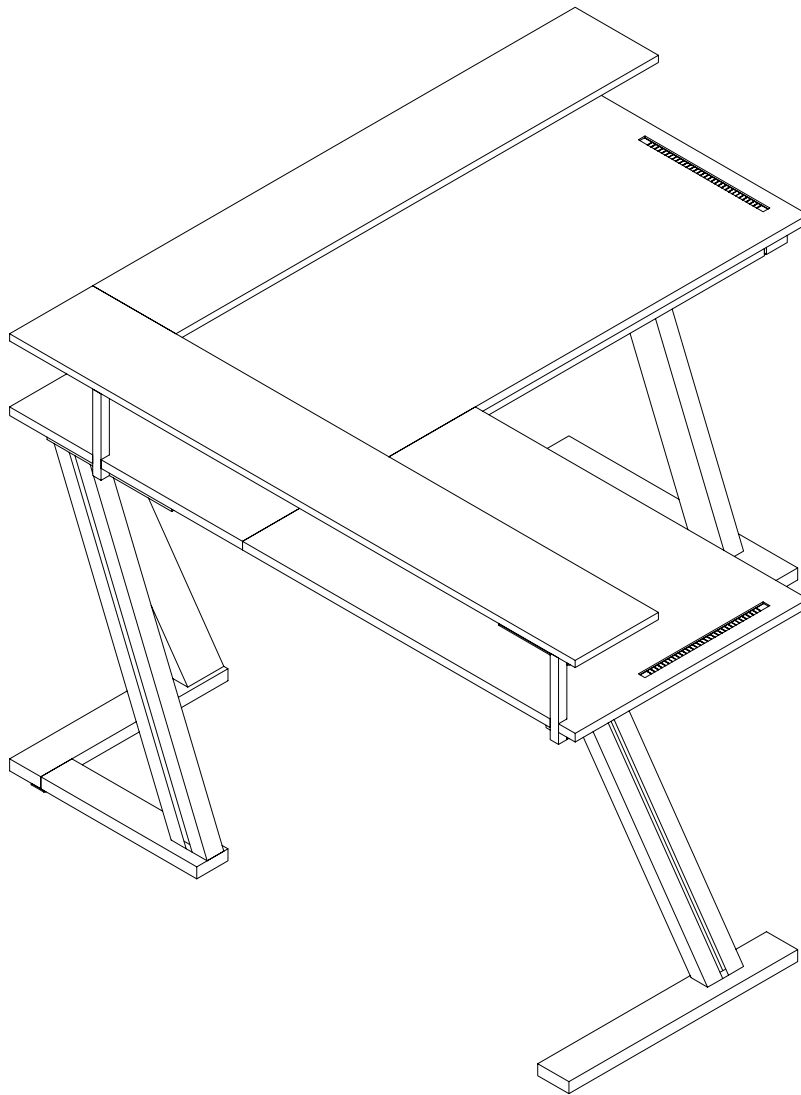




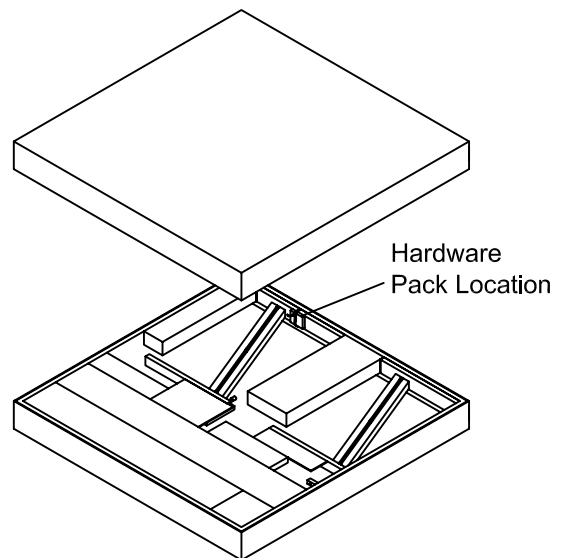


CARBON OPTIX

L SHAPED COMPUTER DESK



CPA1281(Black)/CPA1281W(White) SKU# 38112861 / 38112859 HARDWARE LIST			
NO.	ITEM DESCRIPTION	IMAGE	QTY
A	1/4"x20x1/2"		8
B	1/4"x20x1-3/16"		9
C	1/4"x20x1-3/4"		9
D	4x4x60mm		1



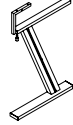



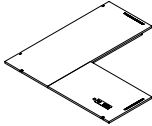
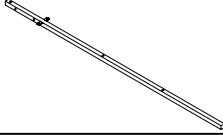
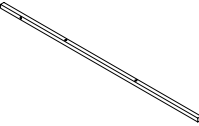
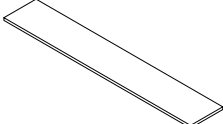
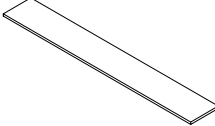


DO NOT USE SUBSTITUTE PARTS. PLEASE CONTACT YOUR RETAIL STORE OR WWW.ROOMSTOGO.COM WITH SERVICE OR PARTS REPLACEMENT REQUEST

This product is manufactured by WRLW for **ROOMS TO GO** | **KIDS**

Version 05-2024/04/15

PAGE 1 of 12

SKU# 38112861 (Black) / SKU# 38112859 (White)

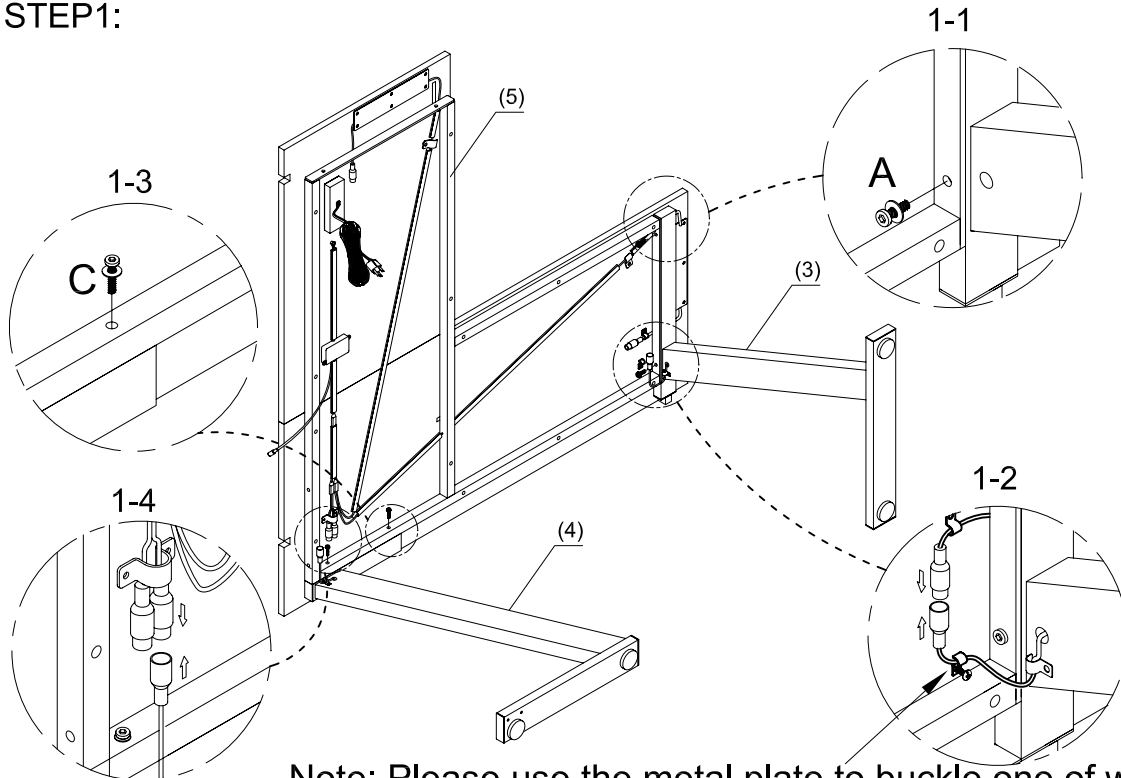
NO.	ITEM DESCRIPTION	IMAGE	QTY
1	Left front side frame		1
2	Left back side frame		1
3	Right front side frame		1
4	Right back side frame		1
5	L shaped desk top		1
6	Long cross bar		1
7	Short cross bar		1
8	Short top board		1
9	Long top board		1
10	LED Power plug		1
11	E701 REMOTE CONTROL WITH LITHIUM BATTERY Type:CR2025		1

DO NOT USE SUBSTITUTE PARTS. PLEASE CONTACT YOUR RETAIL STORE OR WWW.ROOMSTOGO.COM WITH SERVICE OR PARTS REPLACEMENT REQUEST

This product is manufactured by WRLW for **ROOMS TO GO** | **KIDS**

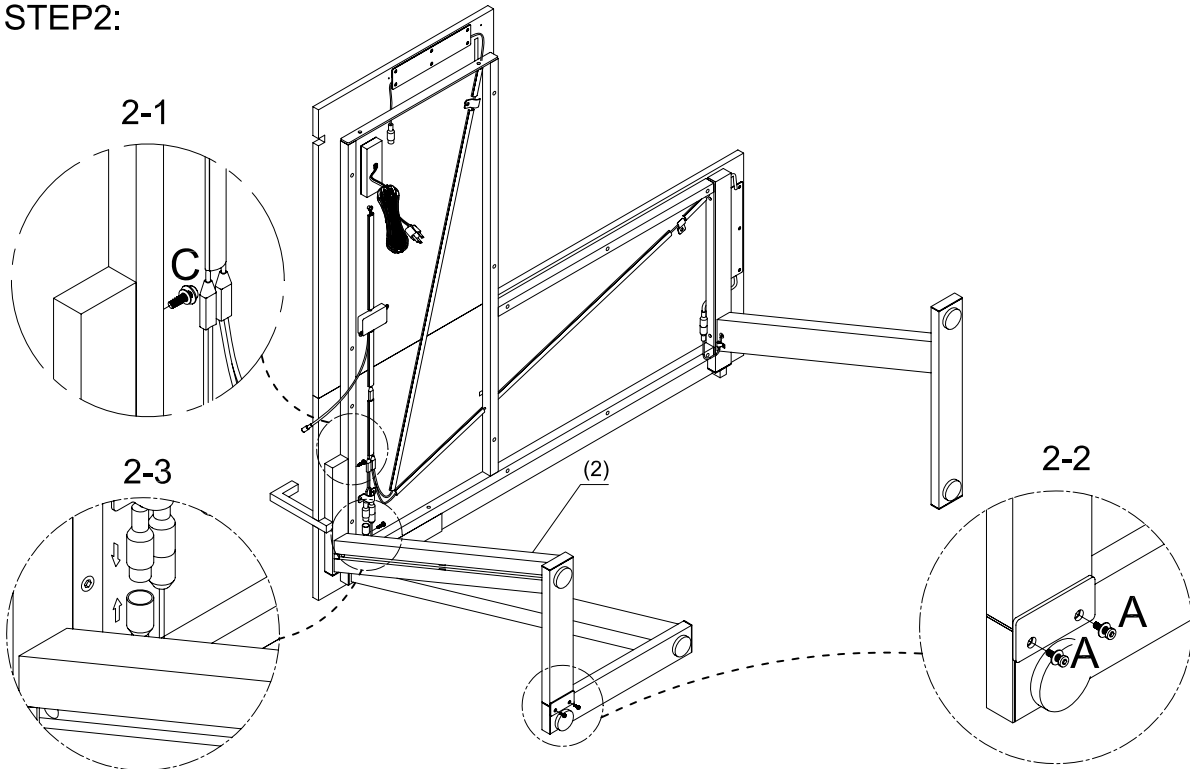
Assembly Instructions:

STEP1:



Note: Please use the metal plate to buckle one of wires after the two wires connected, then tighten the screw.

STEP2:



DO NOT USE SUBSTITUTE PARTS. PLEASE CONTACT YOUR RETAIL STORE OR WWW.ROOMSTOGO.COM WITH SERVICE OR PARTS REPLACEMENT REQUEST

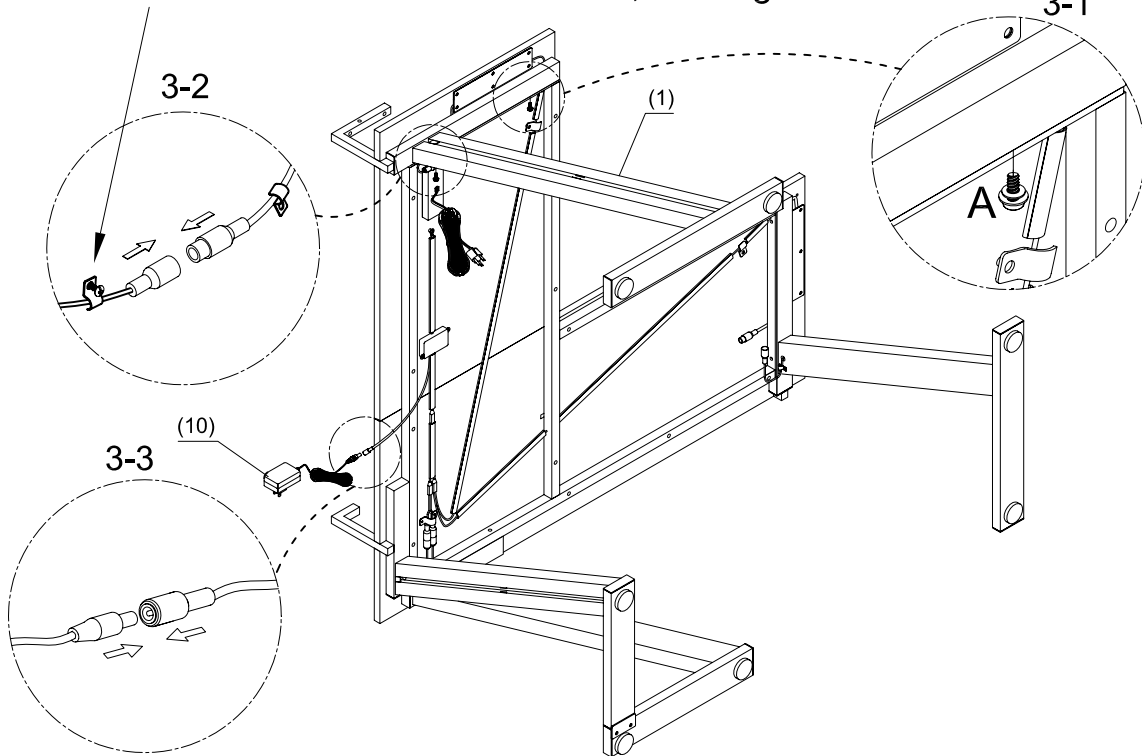
This product is manufactured by WRLW for **ROOMS TO GO** | **KIDS**

Version 05-2024/04/15

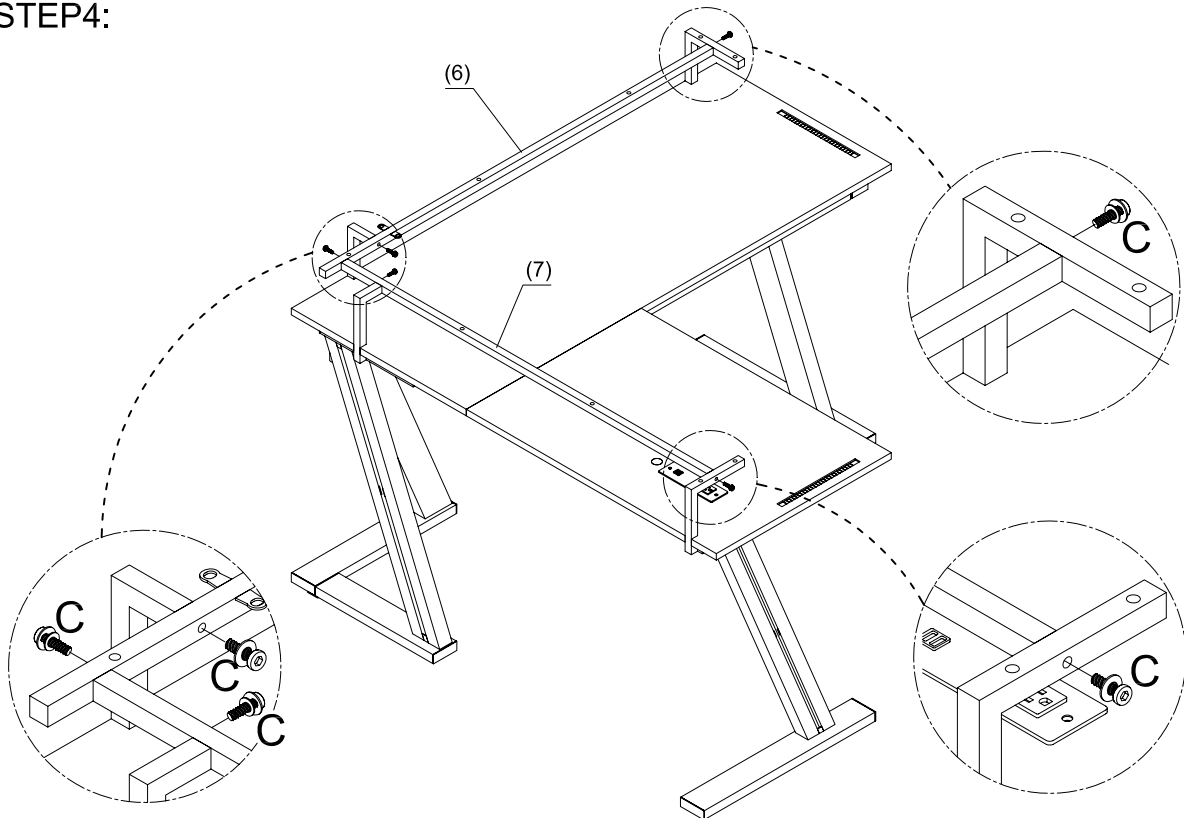
PAGE 3 of 12

Assembly Instructions:

STEP3: Note: Please use the metal plate to buckle one of wires after the two wires connected, then tighten the screw. 3-1



STEP4:



DO NOT USE SUBSTITUTE PARTS. PLEASE CONTACT YOUR RETAIL STORE OR WWW.ROOMSTOGO.COM WITH SERVICE OR PARTS REPLACEMENT REQUEST

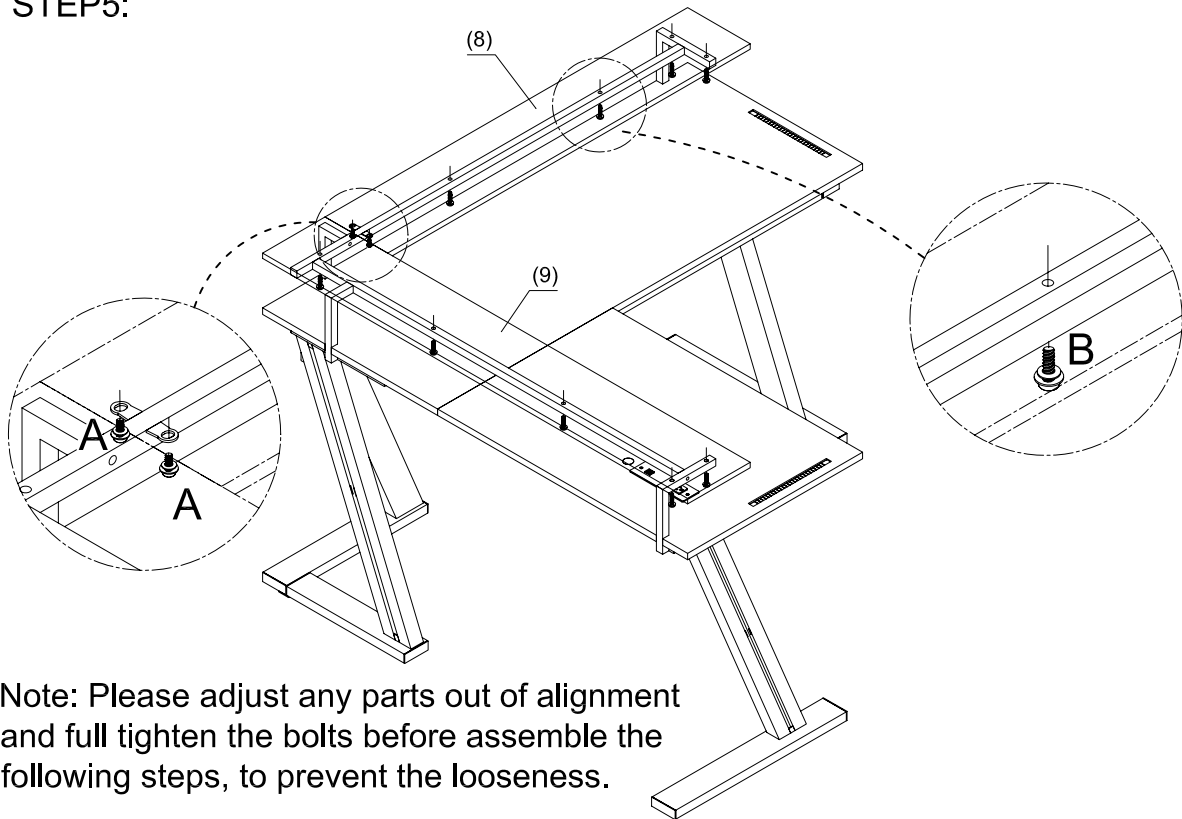
This product is manufactured by WRLW for **ROOMS TO GO** | **KIDS**

Version 05-2024/04/15

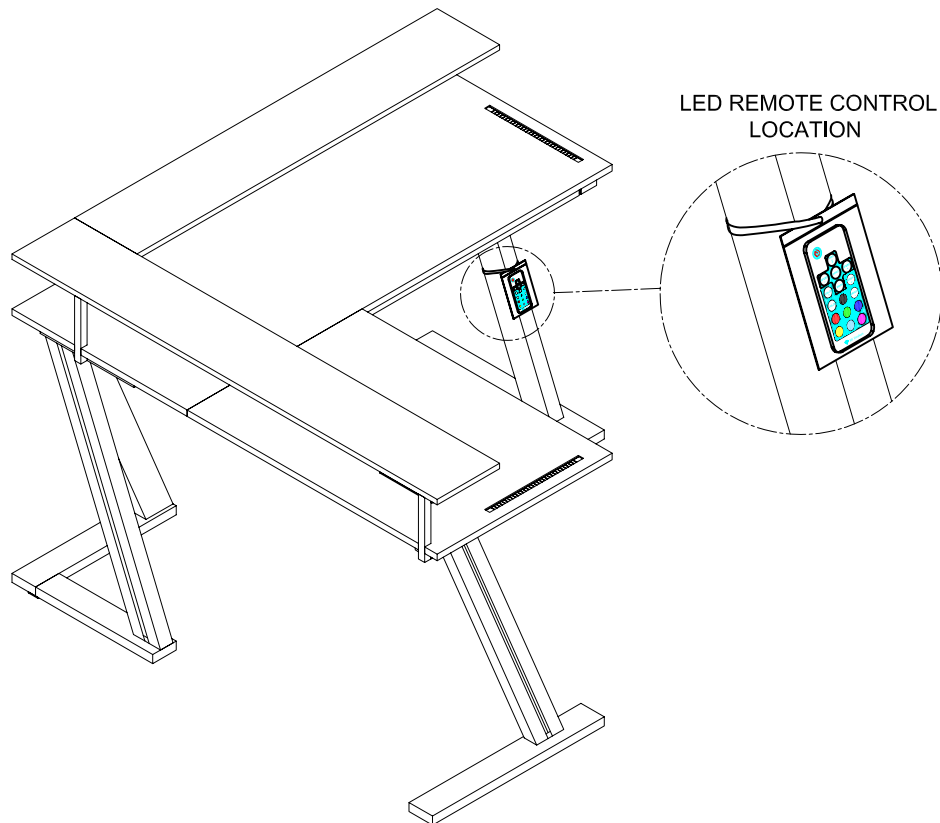
PAGE 4 of 12

Assembly Instructions:

STEP5:



STEP6:



DO NOT USE SUBSTITUTE PARTS. PLEASE CONTACT YOUR RETAIL STORE OR WWW.ROOMSTOGO.COM WITH SERVICE OR PARTS REPLACEMENT REQUEST

This product is manufactured by WRLW for **ROOMS TO GO** | **KIDS**

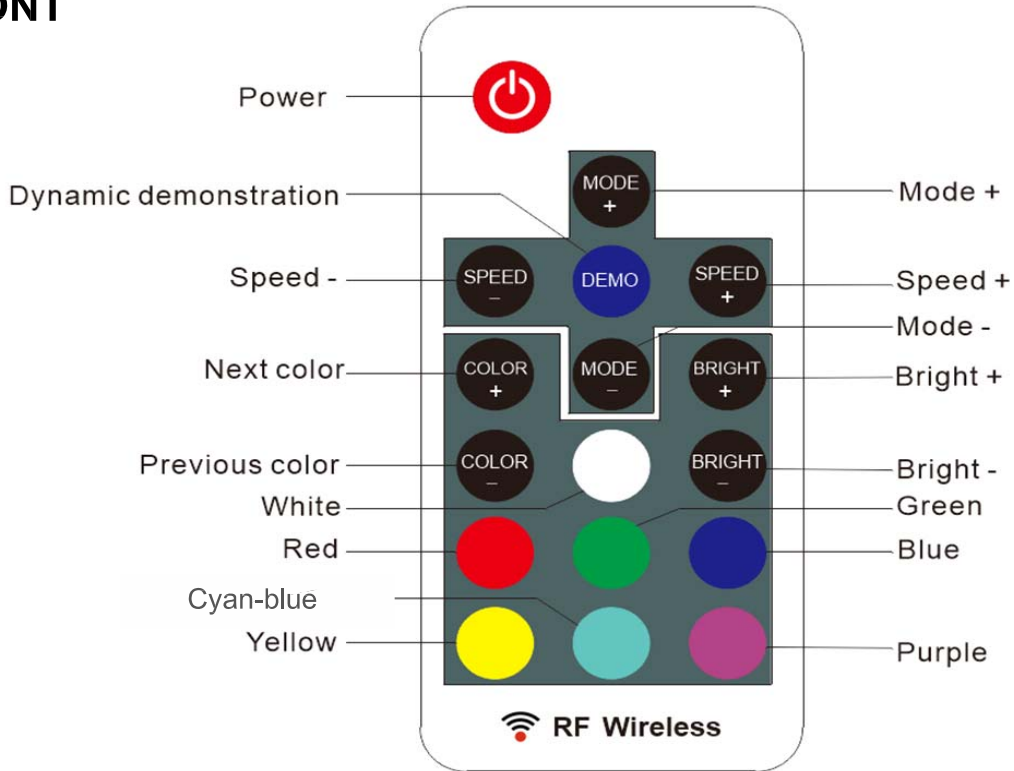
Version 05-2024/04/15

PAGE 5 of 12

Manual:

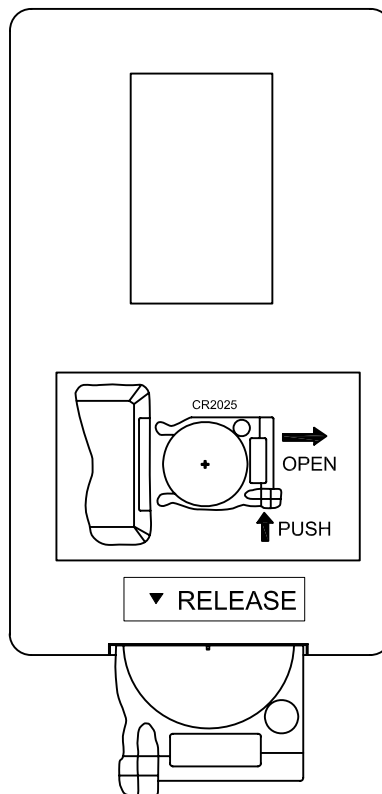
● Panel description

FRONT



BACK

TO REPLACE
3V CR2025
LITHIUM BATTERY



DO NOT USE SUBSTITUTE PARTS. PLEASE CONTACT YOUR RETAIL STORE OR WWW.ROOMSTOGO.COM WITH SERVICE OR PARTS REPLACEMENT REQUEST

This product is manufactured by WRLW for **ROOMS TO GO** | **KIDS**

Manual:

● Key description

(+ - Cycle Pick)

Key	Function	Explanation
POWER	On/Off	The status information will be saved when shutdown, and the state of the last shutdown will be restored when startup
MODE+/MODE -	Switch mode	Built-in 15 modes (static monochrome, monochrome gradient, monochrome jump 3 modes 7 colors adjustable)
COLOR+/COLOR-	Switch color	In red, green, blue, yellow, blue, purple, white 7 color cycle selection (in static monochrome, monochrome gradient, monochrome jump 3 modes adjustable)
SPEED+/SPEED-	Switch speed	Level 1-10 speed cycle selection
BRIGHT+/BRIGHT-	Adjust brightness	Level 0-9 Brightness cycle selection (0 equals off)
DEMO	Dynamic demonstration	Seven color demo mode
COLOR KEY	Color selection	Turn on the static colors of red, green, blue, yellow, Cyan-blue, purple or white.

● Button cell coin battery "WARNING"

- Remove and immediately recycle or dispose of used batteries according to local regulations and keep away from children. Do NOT dispose of batteries in household trash or incinerate.
- Even used batteries may cause severe injury or death.
- Call a local poison control center for treatment information.
- Compatible battery type: CR2025
- The nominal battery voltage : 3v
- Non-rechargeable batteries are not to be recharged.
- Do not force discharge, recharge, disassemble, heat above (above 60°C) or incinerate. Doing so may result in injury due to venting, leakage or explosion resulting in chemical burns.

- Ensure the batteries are installed correctly according to polarity (+ and -).
- Do not mix old and new batteries, different brands or types of batteries, such as alkaline, carbon-zinc, or rechargeable batteries.
- Remove and immediately recycle or dispose of batteries from equipment not used for an extended period of time according to local regulations."
- Always completely secure the battery compartment. If the battery compartment does not close securely, stop using the product, remove the batteries, and keep them away from children.



DO NOT USE SUBSTITUTE PARTS. PLEASE CONTACT YOUR RETAIL STORE OR WWW.ROOMSTOGO.COM WITH SERVICE OR PARTS REPLACEMENT REQUEST

This product is manufactured by WRLW for **ROOMS TO GO** | **KIDS**

Version 05-2024/04/15

PAGE 7 of 12

Manual:

● Mode declaration

NO	Model name	Explanation
1	Static monochrome	COLOR+/COLOR- key to select a static color
2	Single color gradient	COLOR+/COLOR- key to select a static color
3	RGB gradual change	Red, green and blue lights up slowly and fade out slowly
4	YCM gradual change	Yellow, Cyan-blue and purple lights up slowly and fade out slowly
5	RGBYCMW gradual	Red, green, blue, yellow, Cyan-blue, purple and white lights up slowly and fade out slowly
6	RGB Different color cycles light up gradually	The cycle of red, green and blue gradually lights up
7	YCM Different color cycles light up gradually	The cycle of yellow, Cyan-blue and purple gradually lights up
8	RGBYCMW Different color cycles light up gradually	The cycle of red, green, blue, yellow, Cyan-blue, purple and white gradually lights up
9	Monochrome flash and bright off cycle	COLOR+/COLOR- key to select flash color
10	RGB three colors flash and bright off cycle	Red, green and blue flash and bright off cycle
11	YCM three colors flash and bright off cycle	Yellow, Cyan-blue and purple flash and bright off cycle
12	RGBYCMW seven colors flash and bright off cycle	The cycle of red, green, blue, yellow, Cyan-blue, purple and white flash and bright off cycle
13	RGB three colors are lit up in cycles	Red, green and blue are lit up in cycles
14	YCM three colors are lit up in cycles	Yellow, Cyan-blue and purple are lit up in cycles
15	RGBYCMW seven colors are lit up in cycles	The cycle of red, green, blue, yellow, Cyan-blue, purple and white are lit up in cycles

DO NOT USE SUBSTITUTE PARTS. PLEASE CONTACT YOUR RETAIL STORE OR WWW.ROOMSTOGO.COM WITH SERVICE OR PARTS REPLACEMENT REQUEST

This product is manufactured by WRLW for **ROOMS TO GO** | **KIDS**

Version 05-2024/04/15

PAGE 8 of 12

Warning:

WARNING

Misuse can result in FIRE or DEATH by ELECTRICAL SHOCK

120VAC/12.5A
eMoMo Technology Co., Ltd
HX66P2U2

Read all instructions before using this furnishing.

DANGER – To reduce the risk of electric shock

1. Always unplug this furnishing from the electrical outlet before cleaning or servicing.

WARNING – To reduce the risk of burns, fire, electric shock, or injury to persons:

1. Unplug from outlet before putting on or taking off parts.
2. Never operate this furnishing if it has a damaged electrical cord or plug, if it is not working properly, or if the electrical cord or plug has been damaged or dropped into water. Stop using this furnishing and call a service center for examination and repair.
3. Keep the electrical cord and plug away from heated surfaces and other heat sources.
4. To disconnect, turn all controls to the off position, then remove plug from outlet.
5. When operating, ensure that electrical cord is not under the base, legs, or motion mechanism to avoid damage to electrical cord or plug.
6. Do not strain or stretch electrical cord.
7. Do not use extension cords or power strips.
8. Keep out of reach of children. This is not a toy.
9. Plug directly into a compatible electrical socket.
10. Do not modify the plug or use any adapters.

DO NOT USE SUBSTITUTE PARTS. PLEASE CONTACT YOUR RETAIL STORE OR WWW.ROOMSTOGO.COM WITH SERVICE OR PARTS REPLACEMENT REQUEST

This product is manufactured by WRLW for **ROOMS TO GO** | **KIDS**

Version 05-2024/04/15

PAGE 9 of 12

Warning:

WARNING

El mal uso puede provocar INCENDIO o MUERTE por DESCARGA ELÉCTRICA

120VAC/12.5A
eMoMo Technology Co., Ltd
HX66P2U2

Leer todas las instrucciones antes de usar este mobiliario.

PELIGRO – Para reducir el riesgo de descarga eléctrica:

1. Siempre desenchufe este accesorio de la toma de corriente eléctrica antes de limpiarlo o repararlo.

ADVERTENCIA: para reducir el riesgo de quemaduras, incendios, descargas eléctricas o lesiones a personas:

1. Desenchufe del tomacorriente antes de colocar o quitar partes.
2. Nunca opere este accesorio si tiene un cable o enchufe eléctrico dañado, si no funciona correctamente, o si el cable o el enchufe eléctrico se ha dañado o se ha caído al agua. Deje de usar este equipamiento y llame a un centro de servicio para que lo examinen y lo reparen.
3. Mantenga el cable eléctrico y el enchufe lejos de superficies calientes y otras fuentes de calor.
4. Para desconectar, gire todos los controles a la posición de apagado, luego retire el enchufe del tomacorriente.
5. Al operar, asegúrese de que el cable eléctrico no esté debajo de la base, las patas o el mecanismo de movimiento para evitar dañar el cable eléctrico o el enchufe.
6. No fuerce ni estire el cable eléctrico.
7. No utilizar cables de extensión o tomas de corriente.
8. Mantener fuera del alcance de los niños. Esto no es un juguete.
9. Enchúfelo directamente a una toma de corriente compatible.
10. No modifique el enchufe ni utilice adaptadores.

DO NOT USE SUBSTITUTE PARTS. PLEASE CONTACT YOUR RETAIL STORE OR WWW.ROOMSTOGO.COM WITH SERVICE OR PARTS REPLACEMENT REQUEST

This product is manufactured by WRLW for **ROOMS TO GO** | **KIDS**

Version 05-2024/04/15

PAGE 10 of 12

Warning:



WARNING

Misuse can result in FIRE or DEATH by ELECTRICAL SHOCK

12VDC/2A
eMoMo Technology Co.,Ltd
R241-1202000U

Read all instructions before using this furnishing.

DANGER – To reduce the risk of electric shock

1. Always unplug this furnishing from the electrical outlet before cleaning or servicing.

WARNING – To reduce the risk of burns, fire, electric shock, or injury to persons:

1. Unplug from outlet before putting on or taking off parts.
2. Never operate this furnishing if it has a damaged electrical cord or plug, if it is not working properly, or if the electrical cord or plug has been damaged or dropped into water. Stop using this furnishing and call a service center for examination and repair.
3. Keep the electrical cord and plug away from heated surfaces and other heat sources.
4. To disconnect, turn all controls to the off position, then remove plug from outlet.
5. When operating, ensure that electrical cord is not under the base, legs, or motion mechanism to avoid damage to electrical cord or plug.
6. Do not strain or stretch electrical cord.
7. Do not use extension cords or power strips.
8. Keep out of reach of children. This is not a toy.
9. Plug directly into a compatible electrical socket.
10. Do not modify the plug or use any adapters.

DO NOT USE SUBSTITUTE PARTS. PLEASE CONTACT YOUR RETAIL STORE OR WWW.ROOMSTOGO.COM WITH SERVICE OR PARTS REPLACEMENT REQUEST

This product is manufactured by WRLW for **ROOMS TO GO** | **KIDS**

Version 05-2024/04/15

PAGE 11 of 12

Warning:



WARNING

El mal uso puede provocar INCENDIO o MUERTE por DESCARGA ELÉCTRICA

12VDC/2A

eMoMo Technology Co.,Ltd

R241-120200U

Leer todas las instrucciones antes de usar este mobiliario.

PELIGRO – Para reducir el riesgo de descarga eléctrica:

1. Siempre desenchufe este accesorio de la toma de corriente eléctrica antes de limpiarlo o repararlo.

ADVERTENCIA: para reducir el riesgo de quemaduras, incendios, descargas eléctricas o lesiones a personas:

1. Desenchufe del tomacorriente antes de colocar o quitar partes.
2. Nunca opere este accesorio si tiene un cable o enchufe eléctrico dañado, si no funciona correctamente, o si el cable o el enchufe eléctrico se ha dañado o se ha caído al agua. Deje de usar este equipamiento y llame a un centro de servicio para que lo examinen y lo reparen.
3. Mantenga el cable eléctrico y el enchufe lejos de superficies calientes y otras fuentes de calor.
4. Para desconectar, gire todos los controles a la posición de apagado, luego retire el enchufe del tomacorriente.
5. Al operar, asegúrese de que el cable eléctrico no esté debajo de la base, las patas o el mecanismo de movimiento para evitar dañar el cable eléctrico o el enchufe.
6. No fuerce ni estire el cable eléctrico.
7. No utilizar cables de extensión o tomas de corriente.
8. Mantener fuera del alcance de los niños. Esto no es un juguete.
9. Enchúfelo directamente a una toma de corriente compatible.
10. No modifique el enchufe ni utilice adaptadores.

DO NOT USE SUBSTITUTE PARTS. PLEASE CONTACT YOUR RETAIL STORE OR WWW.ROOMSTOGO.COM WITH SERVICE OR PARTS REPLACEMENT REQUEST

This product is manufactured by WRLW for **ROOMS TO GO** | **KIDS**

Version 05-2024/04/15

PAGE 12 of 12