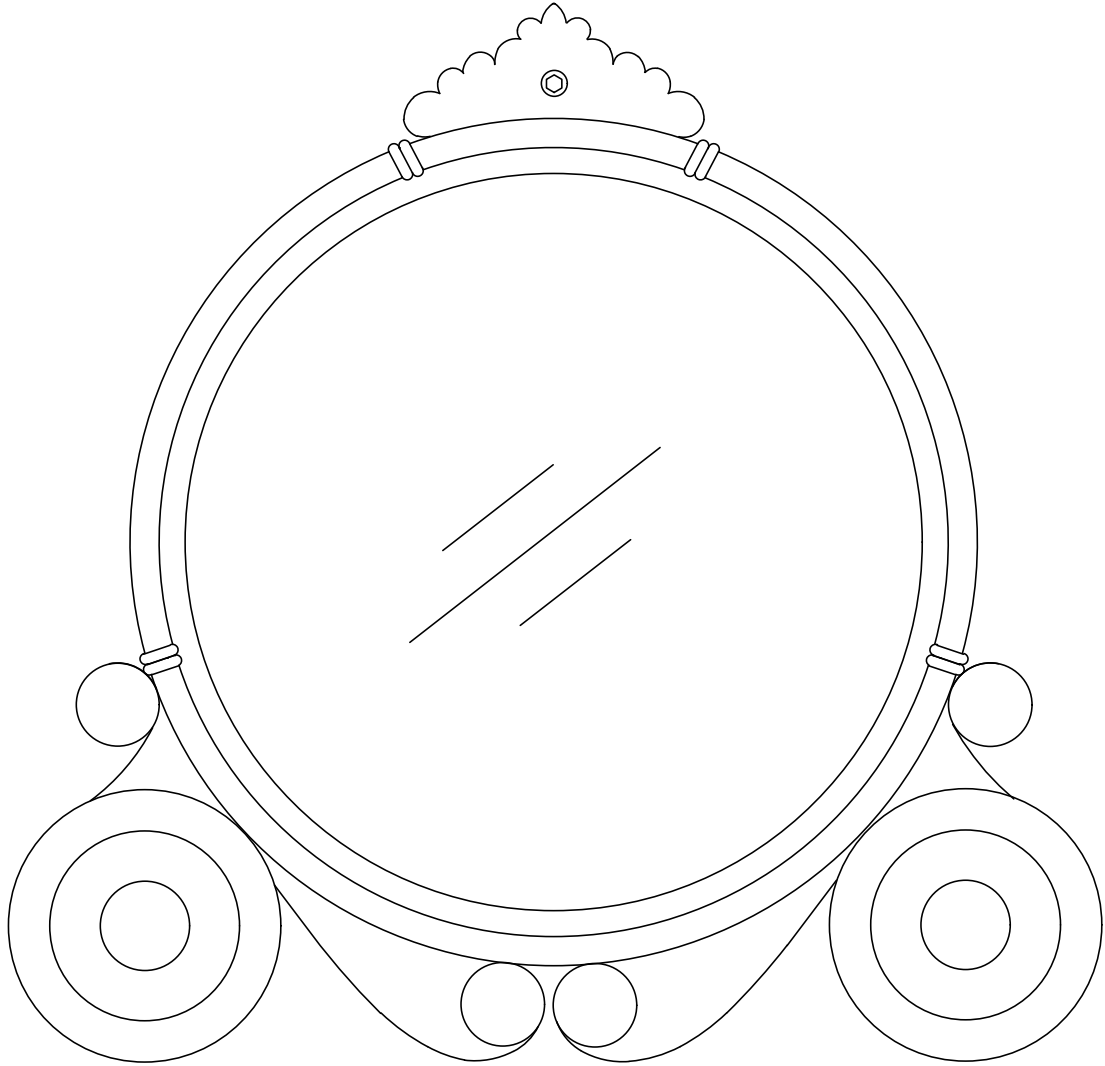


673

CARRIAGE MIRROR



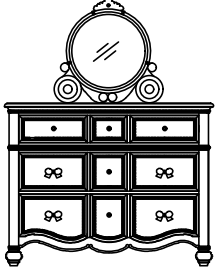

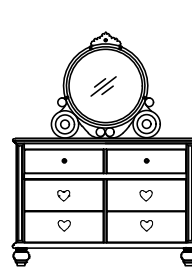
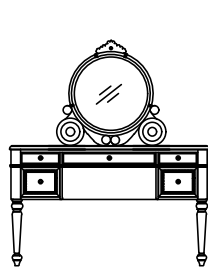
SKU #	STYLE	COLOR	ITEM DESCRIPTION
38167309	673-5A	ROYAL GOLD	CARRIAGE MIRROR

DO NOT USE SUBSTITUTE PARTS. PLEASE CONTACT YOUR RETAIL STORE OR WWW.ROOMSTOGO.COM WITH SERVICE OR PARTS REPLACEMENT REQUEST.







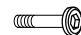
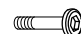



This product is manufactured by (GLOB) for **ROOMS TO GO** | **KIDS**

OPTIONS TO ASSEMBLE MIRROR

4 OPTIONS TO ASSEMBLE MIRROR

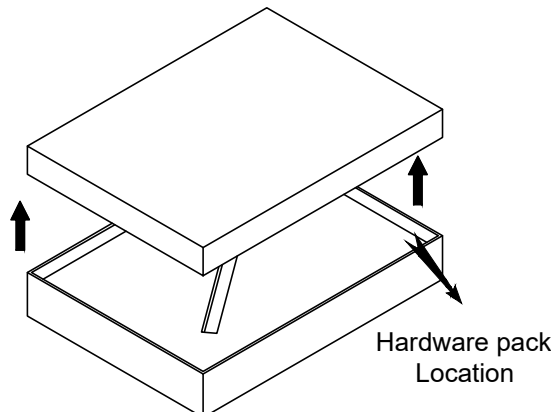
673-1A SKU#37767300 9 DRAWER DRESSER (Sold separately)	673-2A SKU#37867302 6 DRAWER DRESSER (Sold separately)	183Y-9A SKU#35501837 6 DRAWER DRESSER (Sold separately)	673-7A SKU#38267301 DESK (Sold separately)
			

PART LIST & HARDWARE LIST

MIRROR PART LIST				HARDWARE LIST			
	ITEM DESCRIPTION	IMAGE	QTY		ITEM DESCRIPTION	IMAGE	QTY
A	MIRROR		1 PC	1	ALLEN KEY 4mmL		1 PC
B	SUPPORT BARS		1 PC	PRE-ASSEMBLED HARDWARE LIST			
C	LIGHT STRIP REMOTE		1 PC		ITEM DESCRIPTION	IMAGE	QTY
D	LIGHT STRIP ADAPTOR (Pre-assembled)		1 PC	2	ALLEN BOLT 1/4"x20x1 5/16"		2 PCS
				3	ALLEN BOLT 1/4"x20x1"		2 PCS
				4	ALLEN BOLT 1/4"x20x1 5/8"		4 PCS
				5	SPRING WASHER 1/4"		8 PCS
				6	FLAT WASHER 1/4"		8 PCS
				7	THREADED WASHER 1/4"		8 PCS

HARDWARE LOCATION

SKU#	STYLE	COLOR	ITEM DESCRIPTION
38167309	673-5A	SPARKLE WHITE	CARIAGE MIRROR



DO NOT USE SUBSTITUTE PARTS. PLEASE CONTACT YOUR RETAIL STORE OR WWW.ROOMSTOGO.COM WITH SERVICE OR PARTS REPLACEMENT REQUEST.

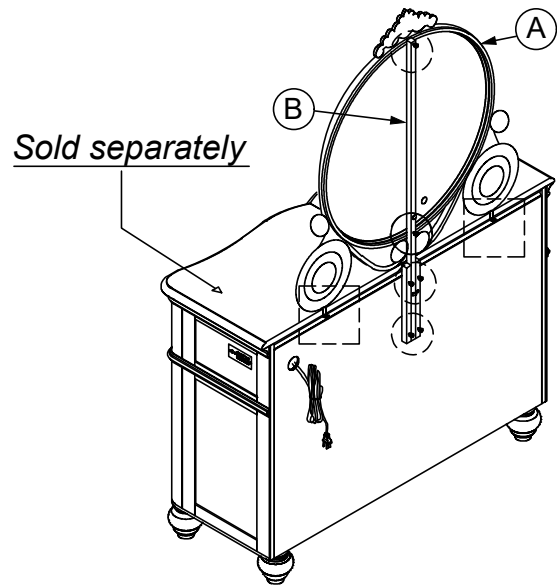
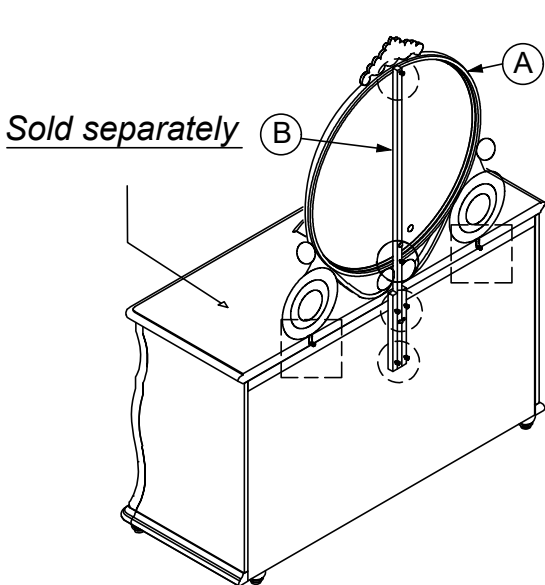
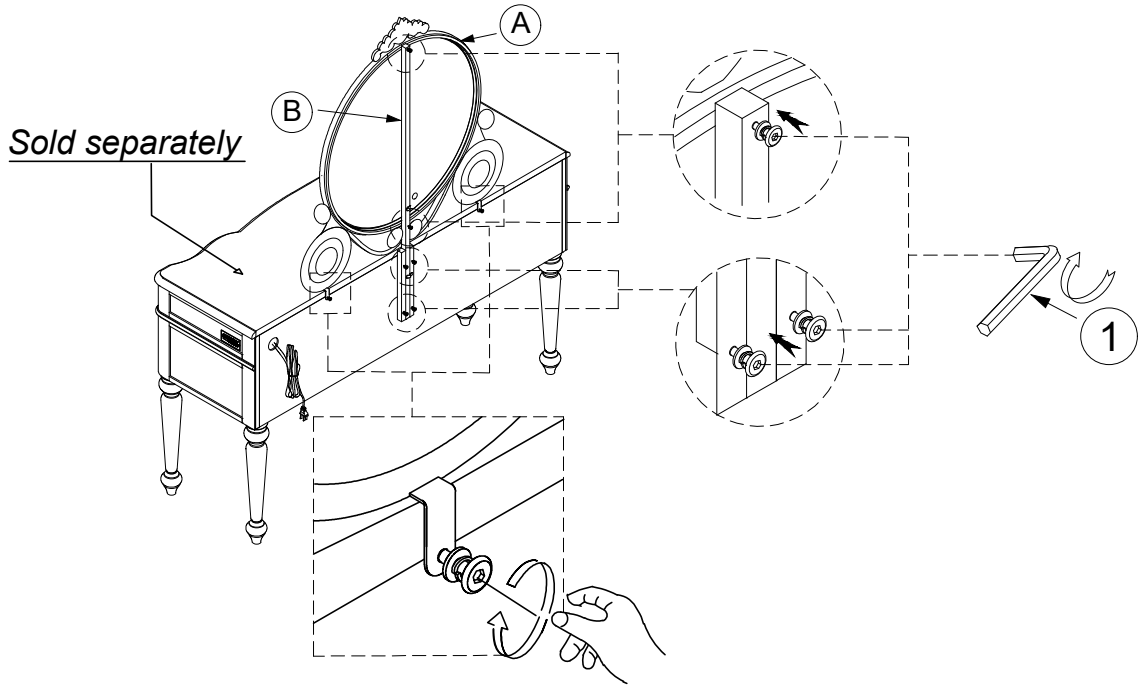
This product is manufactured by (GLOB) for **ROOMS TO GO** | **KIDS**

Thank you for purchasing this quality product. Be sure to check all packing material carefully for small parts which may have come loose inside the carton during shipment. Identify and count all parts and compare with the parts list below. Read all instructions before assembling bed and keep these instructions for future reference.

Assembly Instructions:

STEP 1

Attach Support Bar (B) to back of Dresser (or Desk) and Mirror (A): Align the pre-assembled bolts on the Support Bars (B) with the pre-drilled holes on the Dresser and Mirror, tighten the pre-assembled bolts using Allen Key (1) provided. At the same time, please also attach the pre-assembled bolts on the mirror side frame to the pre-drilled holes on the Dresser (or Desk), but do not fully tighten them.



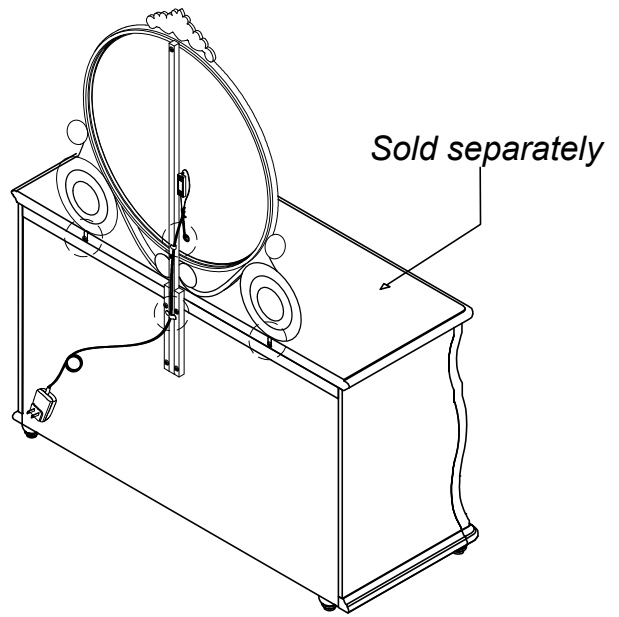
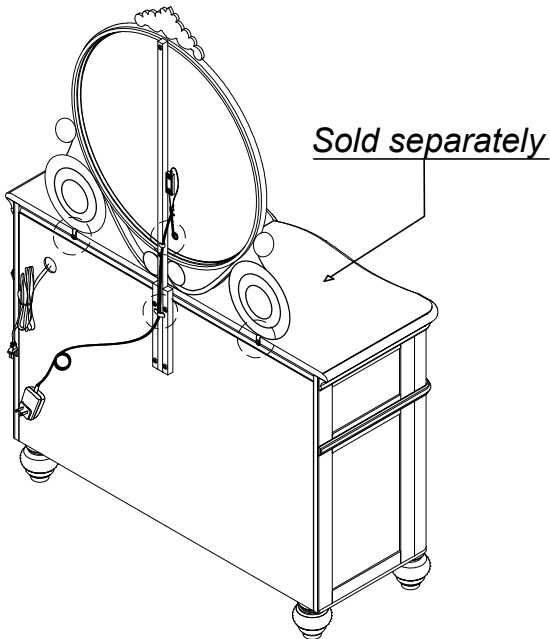
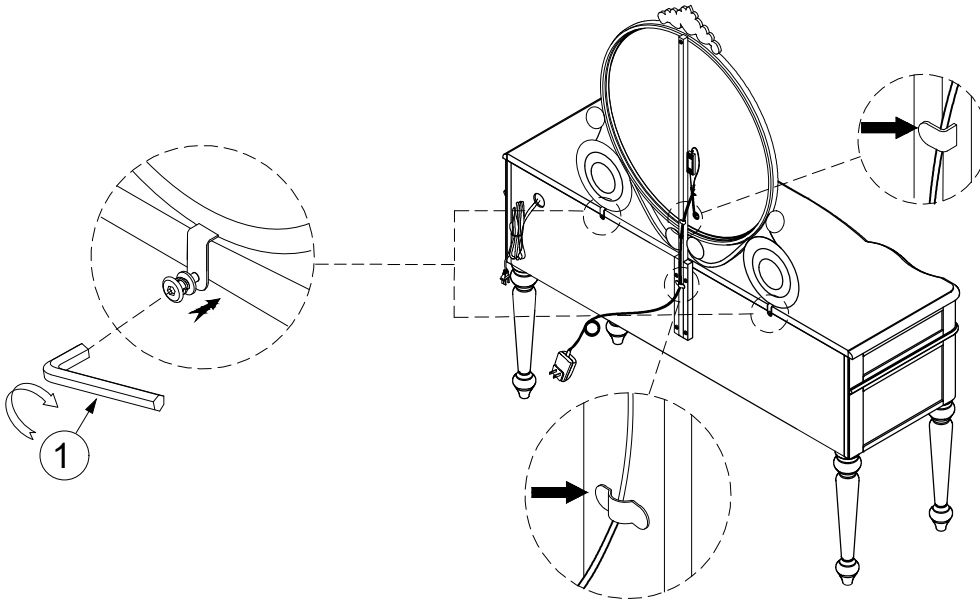
DO NOT USE SUBSTITUTE PARTS. PLEASE CONTACT YOUR RETAIL STORE OR WWW.ROOMSTOGO.COM WITH SERVICE OR PARTS REPLACEMENT REQUEST.

This product is manufactured by (GLOB) for **ROOMS TO GO** | **KIDS**

Thank you for purchasing this quality product. Be sure to check all packing material carefully for small parts which may have come loose inside the carton during shipment. Identify and count all parts and compare with the parts list below. Read all instructions before assembling bed and keep these instructions for future reference.

Assembly Instructions:

STEP 2 Tighten all the pre-assembled bolts using Allen Key (1) provided. At the same time, route the adapter cable through the buckle on the support bar to secure the cable



DO NOT USE SUBSTITUTE PARTS. PLEASE CONTACT YOUR RETAIL STORE OR WWW.ROOMSTOGO.COM WITH SERVICE OR PARTS REPLACEMENT REQUEST.

This product is manufactured by (GLOB) for **ROOMS TO GO** | **KIDS**

Thank you for purchasing this quality product. Be sure to check all packing material carefully for small parts which may have come loose inside the carton during shipment. Identify and count all parts and compare with the parts list below. Read all instructions before assembling bed and keep these instructions for future reference.

INSTRUCTIONS FOR LED LIGHTING FUNCTIONALITY

STEP 1



Insert the DC Plug end of the Power Source Cable into the RGB controller (shown above) found mounted on the back of the furniture.

STEP 2



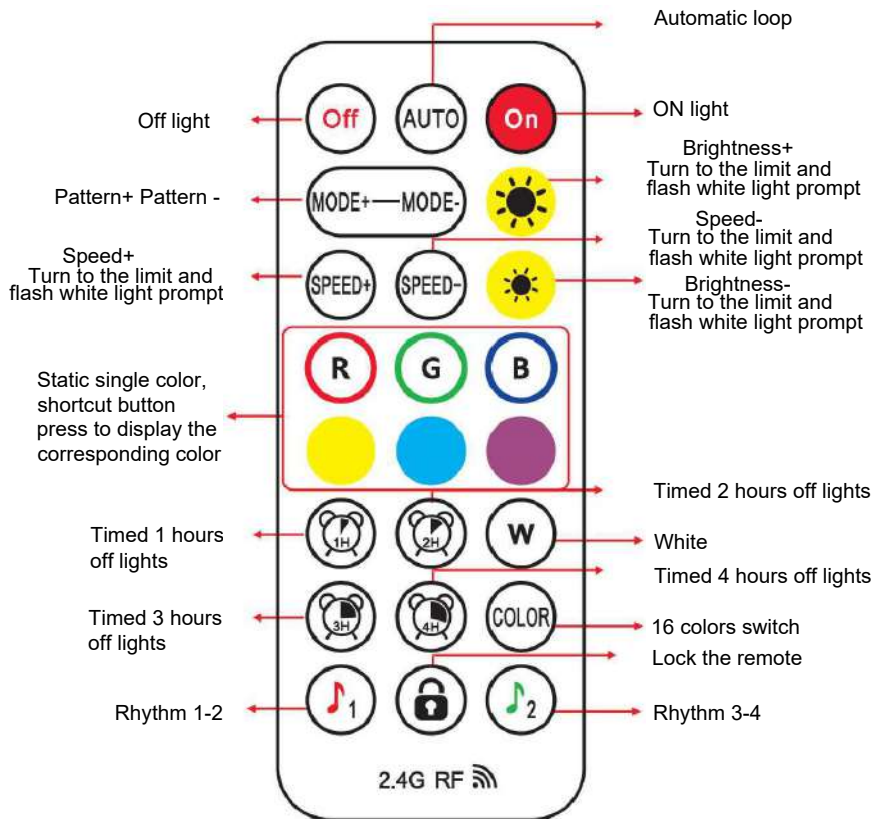
Insert Power Source Hub (wall plug) into electrical outlet.

STEP 3

Use the LED Remote Control to operate lighting functions. To operate Remote Control, pull plastic tab from battery compartment to activate remote (see below at base of remote).

Button operations shown below on the Remote Control provide a selection of functions that can be chosen at your preference.

LED Remote Control



Scan QR code to download program to control LED bed lights with your bluetooth enabled device.



LED lighting (Blue)

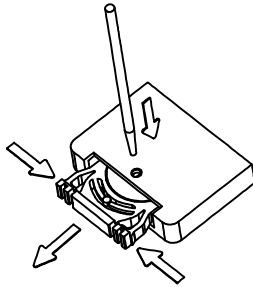
*Pull plastic tab to activate remote

For Customer Service, call Vantage: 1-844-244-3810

Thank you for purchasing this quality product. Be sure to check all packing material carefully for small parts which may have come loose inside the carton during shipment. Identify and count all parts and compare with the parts list below. Read all instructions before assembling bed and keep these instructions for future reference.

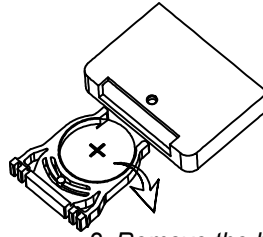
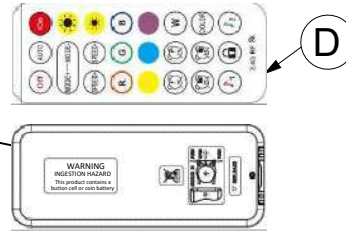
HOW TO REPLACE A NEW COIN BATTERY

STEP 4 The battery is supplied with the remote control. For replacement battery, please follow the sequence below to replace the battery.

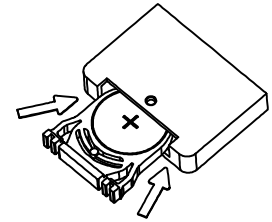


1. Use a screwdriver, push against the small hole, squeeze from both sides and pull outwards at the same time to remove the battery tray.

⚠ WARNING
INGESTION HAZARD
This product contains a button cell or coin battery



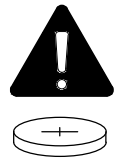
2. Remove the battery tray. Then take out the old battery and keep it away from children.



3. Press the battery bracket into the remote control, making sure it snaps into position.

⚠ WARNING

- **INGESTION HAZARD:** This product contains a button cell or coin battery.
- **DEATH** or serious injury can occur if ingested.
- A swallowed button cell or coin battery can cause **Internal Chemical Burns** in as little as **2 hours**.
- **KEEP** new and used batteries **OUT OF REACH** of **CHILDREN**
- **Seek immediate medical attention** if a battery is suspected to be swallowed or inserted inside any part of the body.



Battery type: 1 CR2025, 3V

Notice

- Remove and immediately recycle or dispose of used batteries according to local regulations and keep away from children. Do NOT dispose of batteries in household trash or incinerate.
- Even used batteries may cause severe injury or death.
- Call a local poison control center for treatment information.
- Battery type: 1 CR2025, 3V
- Non-rechargeable batteries are not to be recharged.
- Do not force discharge, recharge, disassemble, heat above 60°C or incinerate. Doing so may result in injury due to venting, leakage or explosion resulting in chemical burns.
- Ensure the batteries are installed correctly according to polarity (+ and -).
- Do not mix old and new batteries, different brands or types of batteries, such as alkaline, carbon-zinc, or rechargeable batteries.
- Remove and immediately recycle or dispose of batteries from equipment not used for an extended period of time according to local regulations.
- Always completely secure the battery compartment. If the battery compartment does not close securely, stop using the product, remove the batteries, and keep them away from children.

IMPORTANT SAFETY INSTRUCTIONS:

WARNING

Misuse can result in **FIRE** or **DEATH** by **ELECTRICAL SHOCK**

12V/ 1.5A/ 18W

Vantage City Group Limited

VAN-USAD-1812-F-DC

Read all instructions before using this furnishing.

DANGER - To reduce the risk of electric shock:

1. Always unplug this furnishing from the electrical outlet before cleaning or servicing.

WARNING - To reduce the risk of burns, fire, electric shock, or injury to persons:

1. Unplug from outlet before putting on or taking off parts.
2. Never operate this furnishing if it has a damaged electrical cord or plug, if it is not working properly, or if the electrical cord or plug has been damaged or dropped into water. Stop using this furnishing and call a service center for examination and repair.
3. Keep the electrical cord and plug away from heated surfaces and other heat sources.
4. To disconnect, turn all controls to the off position, then remove plug from outlet.
5. When operating, ensure that electrical cord is not under the base, legs, or motion mechanism to avoid damage to electrical cord or plug.
6. Do not strain or stretch electrical cord.
7. Do not use extension cords or power strips.
8. Keep out of reach of children. This is not a toy.
9. Plug directly into a compatible electrical socket.
10. Do not modify the plug or use any adapters.

WARNING

El mal uso puede provocar **INCENDIO** o **MUERTE** por **DESCARGA ELÉCTRICA**

12V/ 1.5A/ 18W

Vantage City Group Limited

VAN-USAD-1812-F-DC

Leer todas las instrucciones antes de usar este mobiliario.

PELIGRO - Para reducir el riesgo de descarga eléctrica:

1. Siempre desenchufe este accesorio de la toma de corriente eléctrica antes de limpiarlo o repararlo.

ADVERTENCIA: para reducir el riesgo de quemaduras, incendios, descargas eléctricas o lesiones a personas:

1. Desenchufe del tomacorriente antes de colocar o quitar partes.
2. Nunca opere este accesorio si tiene un cable o enchufe eléctrico dañado, si no funciona correctamente, o si el cable o el enchufe eléctrico se ha dañado o se ha caído al agua. Deje de usar este equipamiento y llame a un centro de servicio para que lo examinen y lo reparen.
3. Mantenga el cable eléctrico y el enchufe lejos de superficies calientes y otras fuentes de calor.
4. Para desconectar, gire todos los controles a la posición de apagado, luego retire el enchufe del tomacorriente.
5. Al operar, asegúrese de que el cable eléctrico no esté debajo de la base, las patas o el mecanismo de movimiento para evitar dañar el cable eléctrico o el enchufe.
6. No fuerce ni estire el cable eléctrico.
7. No utilizar cables de extensión o tomas de corriente.
8. Mantener fuera del alcance de los niños. Esto no es un juguete
9. Enchúfelo directamente a una toma de corriente compatible.
10. No modifique el enchufe ni utilice adaptadores.