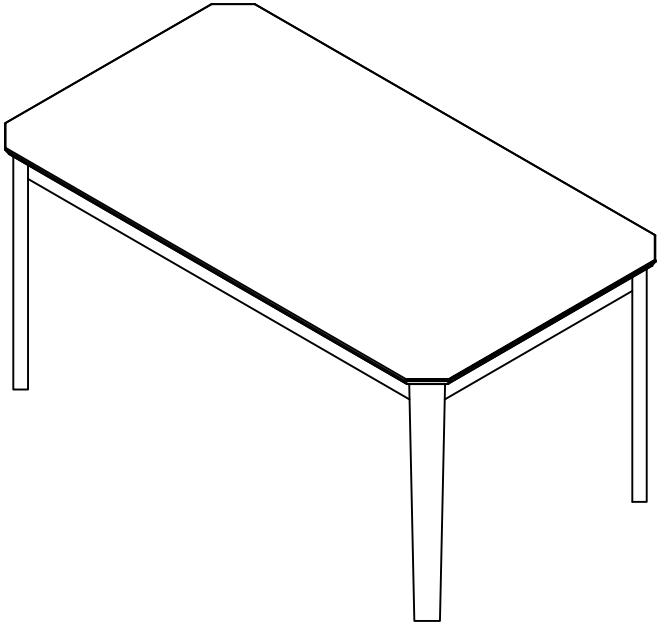

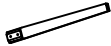
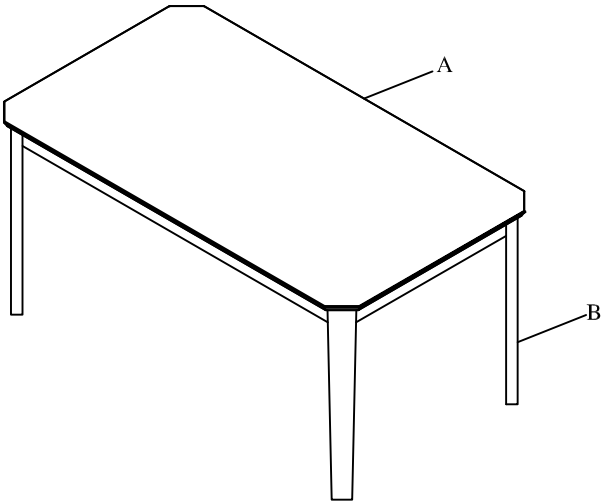


JO JO TABLE







NO.	SKU	STYLE NO.	FINISH	ITEM DESCRIPTION
A.	38091118	91110W	WHITE	91110W WHITE TABLE
B.	38191110	91110G	GRAY	91110G GRAY TABLE

PARTS LIST			
NO.	ITEM DESCRIPTION	IMAGE	QTY
A	Table Top With Apron		1PC
B	Table Leg		4PCS



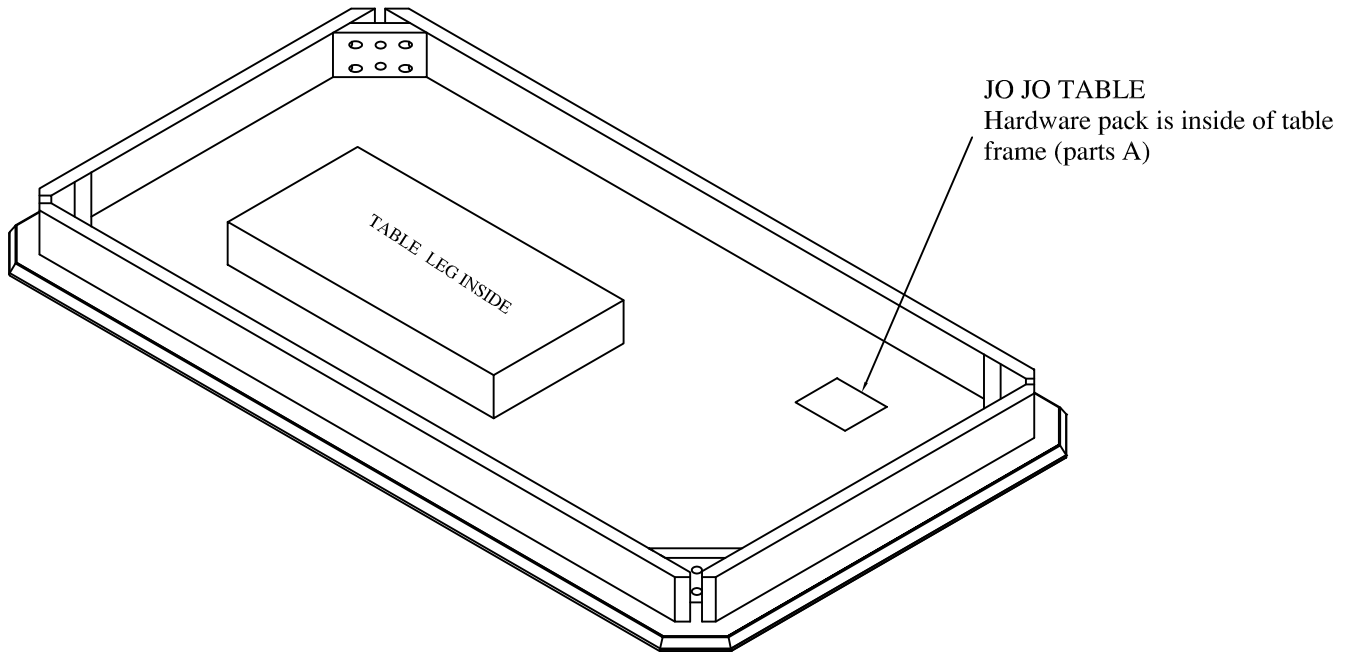
DO NOT USE SUBSTITUTE PARTS. PLEASE CONTACT YOUR RETAIL STORE OR WWW.ROOMSTOGO.COM WITH SERVICE OR PARTS REPLACEMENT REQUEST

TABLE HARDWARE LIST			
NO.	ITEM DESCRIPTION	IMAGE	QTY
1	Allen Bolt Ø5/16"*18*75mm		8pcs
2	Lock Washer Ø5/16"		8pcs
3	Flat Washer Ø5/16*19mm		8pcs
4	Allen Wrench 4mm		1PC

** SCREWDRIVER(NOT PROVIDED) 

Hardware Pack Locations:

NO.	SKU	STYLE NO.	FINISH	ITEM DESCRIPTION
A.	38091118	91110W	WHITE	91110W WHITE TABLE
B.	38191110	91110G	GRAY	91110G GRAY TABLE

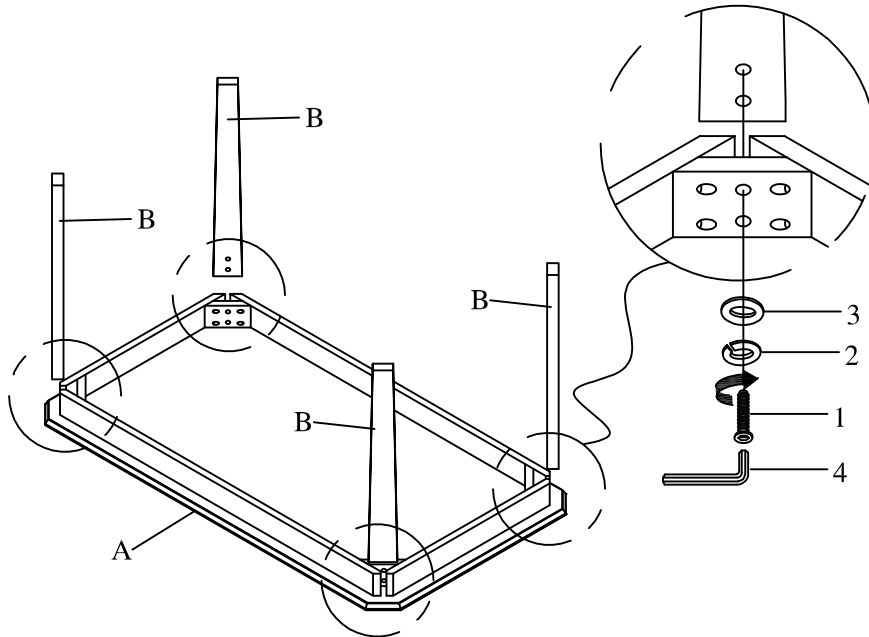


DO NOT USE SUBSTITUTE PARTS. PLEASE CONTACT YOUR RETAIL STORE OR WWW.ROOMSTOGO.COM WITH SERVICE OR PARTS REPLACEMENT REQUEST

Thank you for purchasing this quality product. Be sure to check all packing material carefully for small parts which may have come loose inside the carton during shipment. Identify and count all parts and compare with the parts list. Read all instructions before assembling furniture and keep these instructions for future reference.

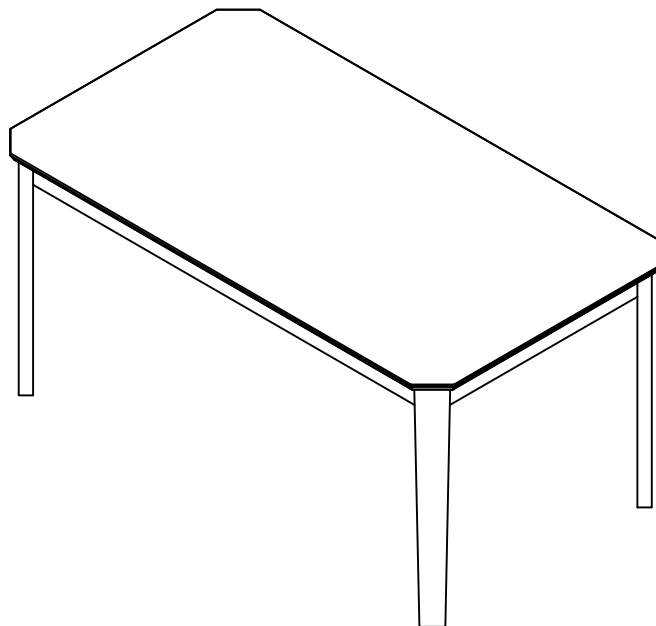
Assembly Instructions:

STEP1:



Attach table leg (B) to table top with apron (A). Tighten by allen bolt (1), lock washer (2) and flat washer (3) with allen key (4).

STEP2:



DO NOT USE SUBSTITUTE PARTS. PLEASE CONTACT YOUR RETAIL STORE OR WWW.ROOMSTOGO.COM WITH SERVICE OR PARTS REPLACEMENT REQUEST