

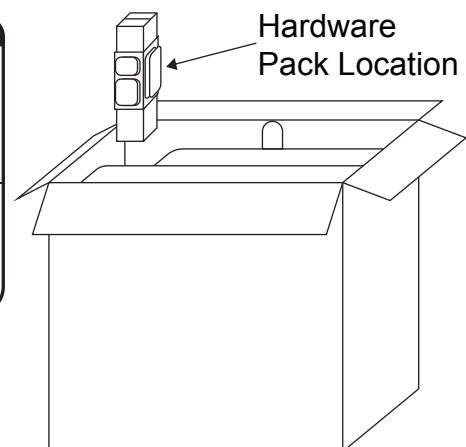


# MICROFIBER CHAIR



RTG SKU#	STYLE#	FINISH	ITEM DESCRIPTION
38205197	O-OC20-F041C	PNK MICROFIBER	MICROFIBER CHAIR-PINK

HARDWARE LIST			
A		MECHANISM SCREW 8*22*22MM	4 PCS
B		L-BAR SCREW 8*30*30MM	4 PCS



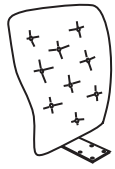


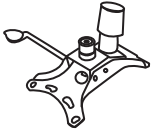


DO NOT USE SUBSTITUTE PARTS. PLEASE CONTACT YOUR RETAIL STORE OR [WWW.ROOMSTOGO.COM](http://WWW.ROOMSTOGO.COM) WITH SERVICE OR PARTS REPLACEMENT REQUEST

This product is manufactured by HEAL for ROOMS TO GO | KIDS™

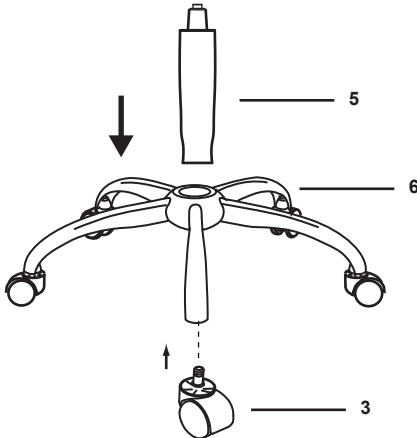
Thank you for purchasing this quality product. Be sure to check all packing material carefully for small parts which may have come loose inside the carton during shipment. Identify and count all parts and compare with the parts list below. Read all instruction before assembling chairs and keep these instructions for future reference.

## Assembly Instruction

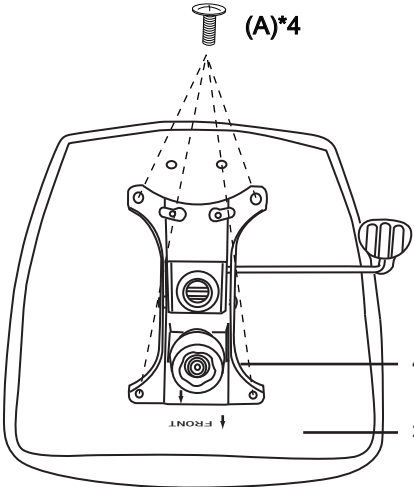
Parts List:

ITEM	DESCRIPTION	IMAGE	QTY
1	Back Cushion		1
2	Seat Cushion		1
3	Caster		5
4	Mechanism		1
5	Gas Lift		1
6	Base		1

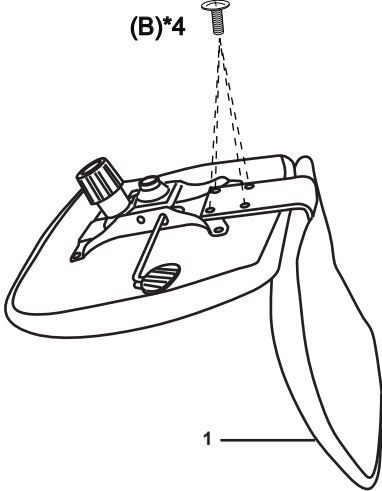
**1** Select a smooth surface to avoid scratching the parts.  
Turn the star base upright and insert gas lift with telescoping cover into the central hple of the star base.



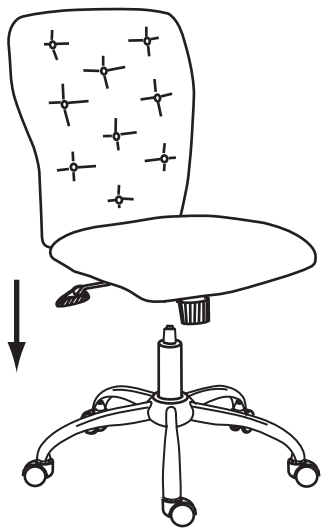
**2** Tighten the screws completely



**3** Fasten the bracket that connect with the back cushion and tighten the screws completely



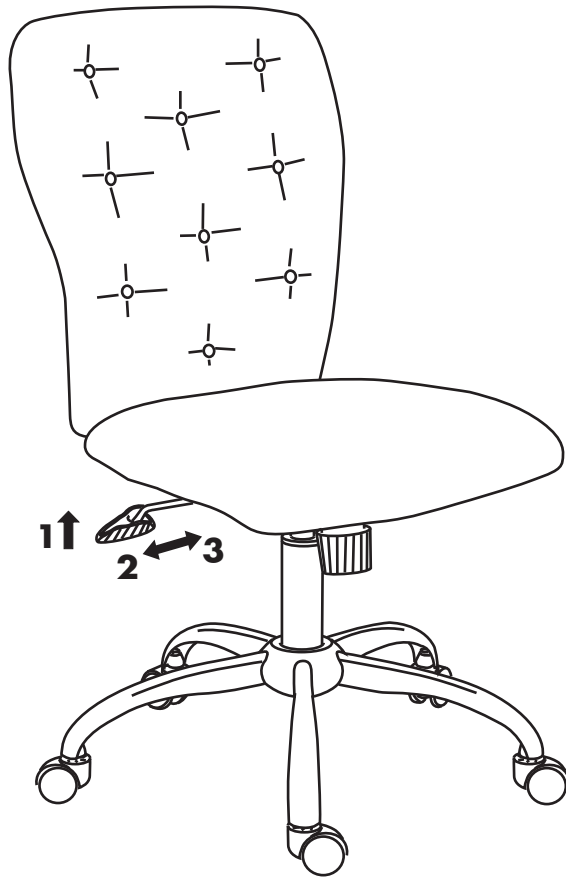
**4**



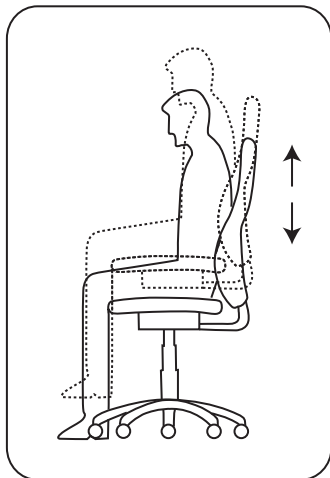
\*Hardware pack does not include screwdriver

DO NOT USE SUBSTITUTE PARTS. PLEASE CONTACT YOUR RETAIL STORE OR [WWW.ROOMSTOGO.COM](http://WWW.ROOMSTOGO.COM) WITH SERVICE OR PARTS REPLACEMENT REQUEST

This product is manufactured by HEAL for ROOMS TO GO | KIDS

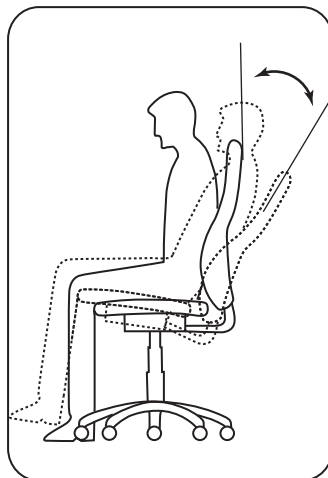


**1**



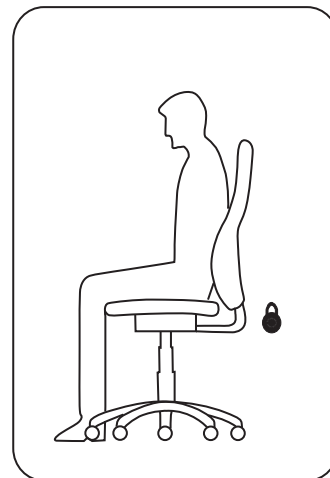
1) Lift handle to allow chair to rise up or down. Take your weight off of the chair to rise. Put your weight on the chair to lower.

**2**



2) pull handle away from the center post to allow the chair to free tilt

**3**



3) push handle toward the center post to lock in the upright position. You but be in the upright position and not leaning back in order for it to lock.

DO NOT USE SUBSTITUTE PARTS. PLEASE CONTACT YOUR RETAIL STORE OR [WWW.ROOMSTOGO.COM](http://WWW.ROOMSTOGO.COM) WITH SERVICE OR PARTS REPLACEMENT REQUEST

This product is manufactured by HEAL for ROOMS TO GO | KIDS