

ROOMS TO GO  
**KIDS**  
Manufactured for Rooms to Go

# CREEKSIDE 2.0 COLLECTION

THANK YOU FOR YOUR PURCHASE



**WARNING DANGER**

Failure to follow these warnings and assembly instructions could result in serious injury or death. To help prevent serious or fatal injuries from entrapment or falls:

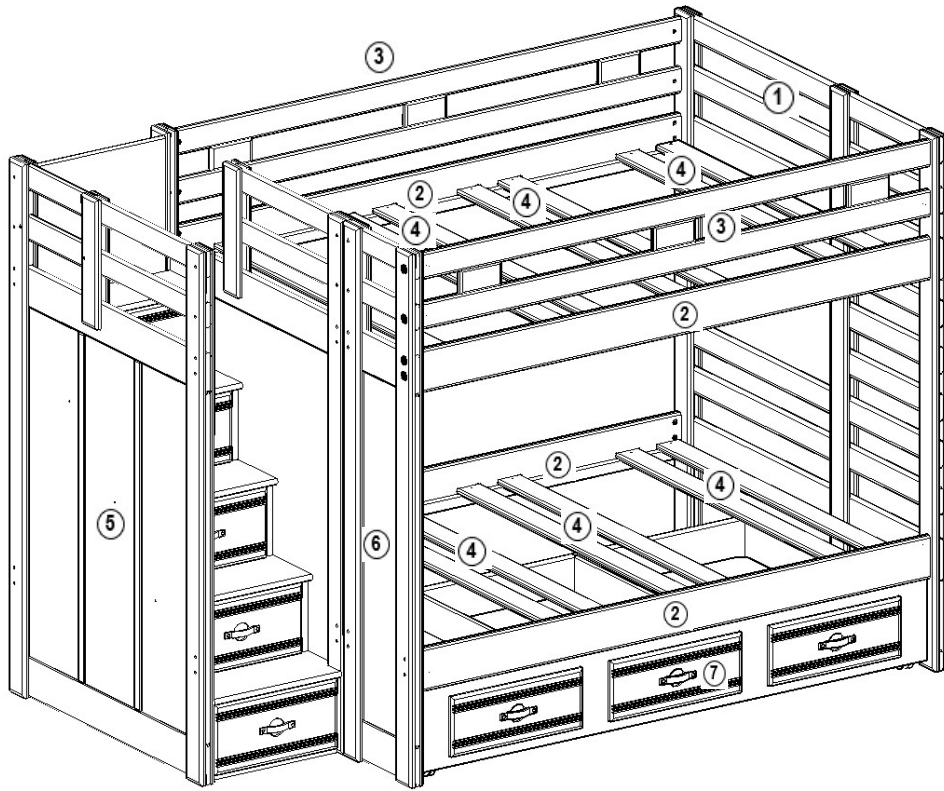
- Read all instructions before assembling bunk bed and keep these instructions for future reference.
- Before each usage or assembly, inspect bunk bed for damaged hardware, loose joints, missing parts, or sharp edges. DO NOT Use bunk bed if any parts are missing or broken.
- DO NOT Use substitute parts. Contact your local Rooms To Go or visit [www.ROOMSTOGO.COM](http://www.ROOMSTOGO.COM) for replacement parts and instructional literature if needed.
- Follow the information on the warnings appearing on the upper bunk end structure and on the carton, DO NOT REMOVE WARNING LABEL FROM BED.
- Always use the recommended size mattress or mattress supports, or both to help prevent the likelihood of entrapment or falls.
- Ensure thickness of mattress and foundation combine does not exceed **10 inches (255mm)** and mattress surface is at least **5 inches (127mm)** below upper edge of guardrails.
- Do not allow children under 6 years of age to use the upper bunk.
- Periodically check and ensure that the guardrail, ladder, and other components are in their proper position, free from damage, and that all connectors are tight.
- Do not allow horseplay on or under the bed and prohibit jumping on the bed.
- Limit top bunk use to one person.
- Always use the ladder for entering and leaving the upper bunk.
- Use of night light may provide added safety precaution for a child using the upper bunk.
- Always use guardrails on both long sides of the upper bunk. If the bunk bed will be placed next to the wall, the guardrail that runs the full length of the bed should be placed against the wall to prevent entrapment between the bed and wall.
- The use of water or sleep flotation mattress is prohibited.
- This bunk bed meets all the requirements of ASTM 1427-19.



**STRANGULATION HAZARD:**

Never attach or hang items to any part of the bunk bed that are not designed for use with the bed; for example, but not limited to, hooks, belts, and jump ropes.

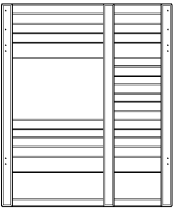
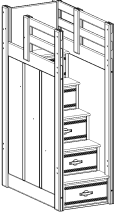







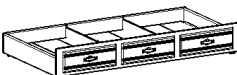
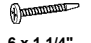
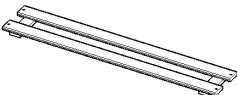
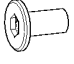

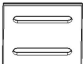
# PARTS LIST



3824040P FULL/FULL STEP BUNK WALNUT		
RTG SKU #	STYLE #	ITEM DESCRIPTION
35840405	40G-160	STEP STORAGE UNIT
36540400	40G-702	FULL EXT KIT
35640401	40G-704	1 PC BUNKBED END FULL
36640402	40G-730	6 PC RAILS (2 GUARD & 4 SIDE RAILS)
38300238	100-648	FULL/FULL SLAT PACK
38300238	100-648	FULL/FULL SLAT PACK
35440407	40G-744	TRUNDLE BED ADD ON

3824041P FULL/FULL STEP BUNK WHITE		
RTG SKU #	STYLE #	ITEM DESCRIPTION
35840417	40B-160	STEP STORAGE UNIT
36540412	40B-702	FULL EXT KIT
35640413	40B-704	1 PC BUNKBED END FULL
36640414	40B-730	6 PC RAILS (2 GUARD & 4 SIDE RAILS)
38300238	100-648	FULL/FULL SLAT PACK
38300238	100-648	FULL/FULL SLAT PACK
35440419	40B-744	TRUNDLE BED ADD ON

**WARNING**  
The bed slats included with this bed will not support a mattress alone, this bed requires Bunkie boards (sold separately)

PARTS LIST		QTY	PARTS LIST		QTY	HARDWARE LIST		QTY	TOOLS NEEDED	
<b>1</b>		1 Pcs	<b>5</b>		1 Pcs	<b>A</b>	 5/16"-18 x 3 3/8" Bolt	24 Pcs	Phillips screwdriver (not included) 	
<b>2</b>		4 Pcs	<b>6</b>		1 Pcs	<b>B</b>	 5 mm Hex key	1 Pcs	Allen wrench (included) 	
<b>3</b>		2 Pcs	<b>7</b>		1 Pcs	<b>C</b>	 6 x 1 1/4" Drywall screw	16 Pcs		
<b>4</b>		8 Pcs			<b>D</b>	 Cup nut	8 Pcs			
				<b>E</b>	 35 mm bolts	8 Pcs				
				<b>F</b>	 Metal plates	2 Pcs				

**TWO PEOPLE ARE NEEDED TO ASSEMBLE  
DO NOT TIGHTEN COMPLETELY UNTIL ALL PIECES  
ARE CONNECTED TOGETHER**

# ASSEMBLY INSTRUCTIONS

**TIPS : SEE ILLUSTRATION BELOW**

- 1- Use the long end of the allen wrench to fasten bolts loosely and quickly.
- 2- Use the short end of the allen wrench for final tightening

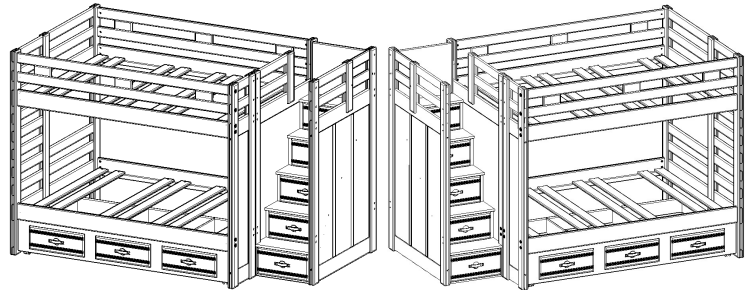
**TIPS # 1**



**TIPS # 2**



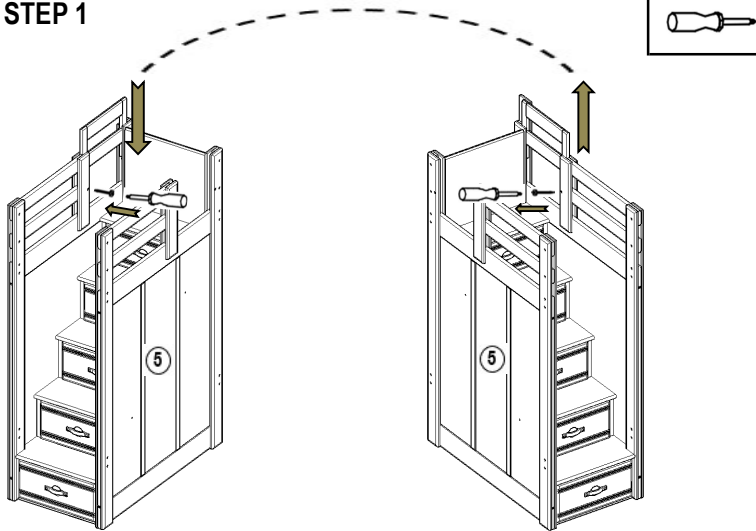
FIRST DETERMINE THE CONFIGURATION THAT FITS YOUR ROOM



STAIRS ON THE RIGHT  
(Factory setting)

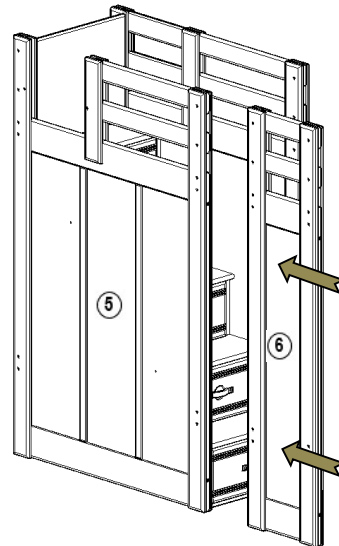
STAIRS ON THE LEFT

**STEP 1**



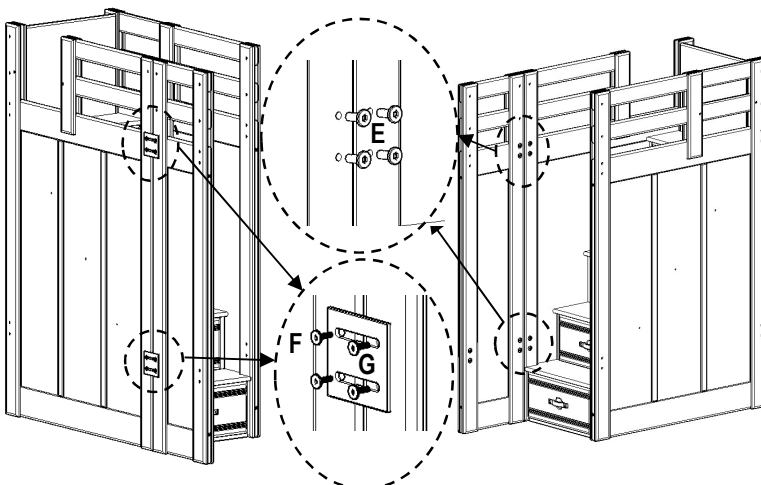
For stairs on the left, first remove the screw, then remove the panel and install it on the other side and secure with the screw.

**STEP 2**



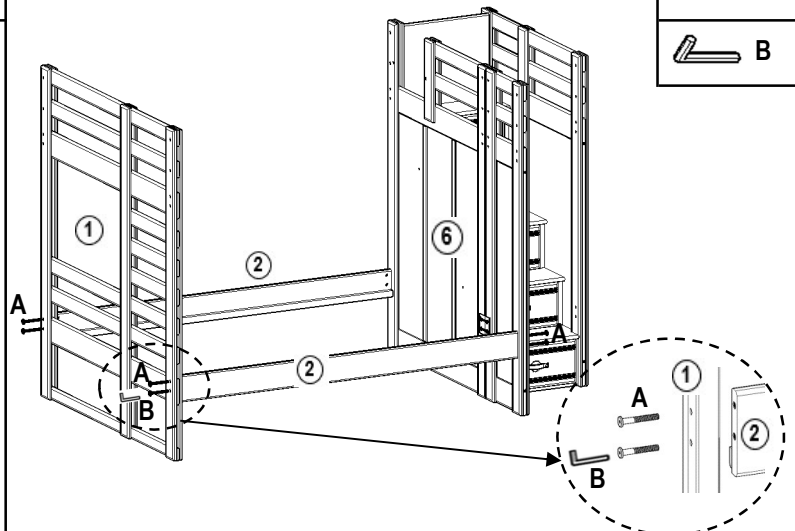
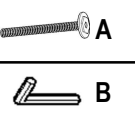
Assemble step bunk unit and extension kit, aligning inside and outside pattern and holes.

**STEP 3**



Fasten and make sure all bolts are tightened completely.

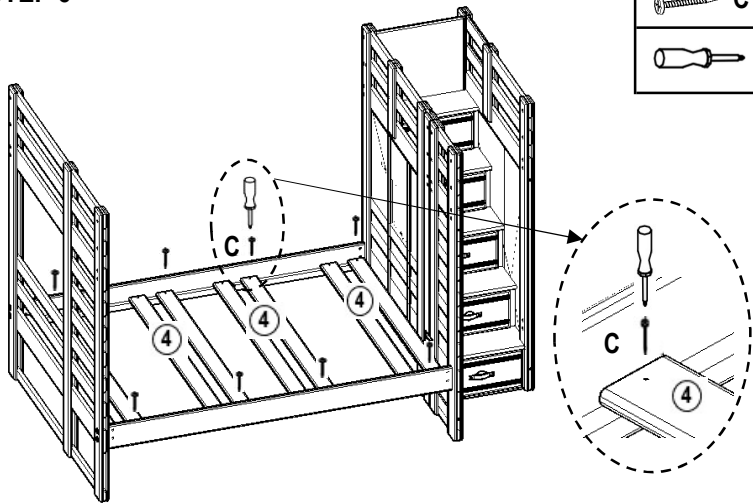
**STEP 4**



Assemble bottom side rails.

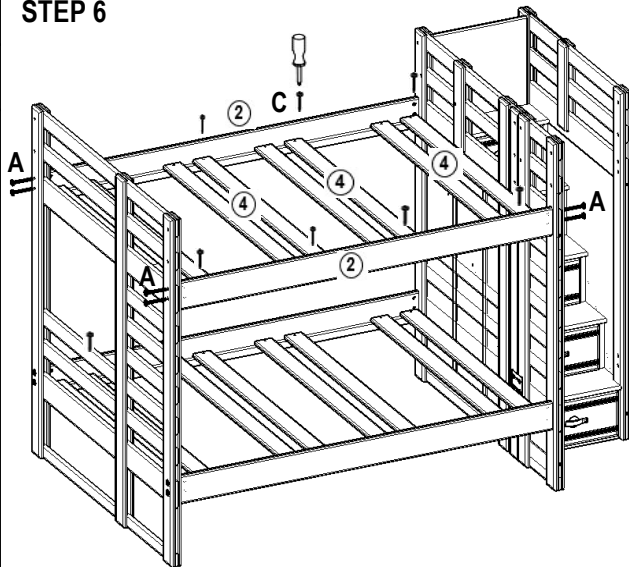
# ASSEMBLY INSTRUCTIONS

**STEP 5**

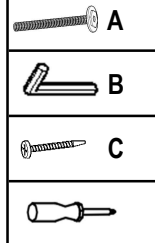


Install slats, one on each end, two equally spaced in the middle, then fasten with 1 1/4" screws.

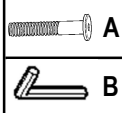
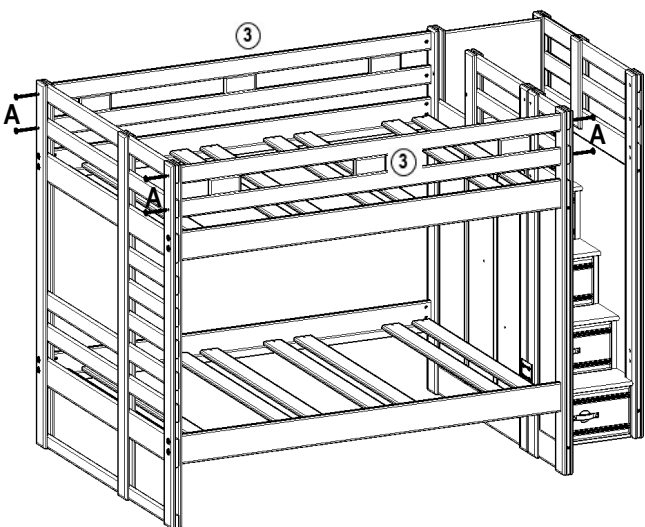
**STEP 6**



Repeat step 1 & 2 for top set of side rails



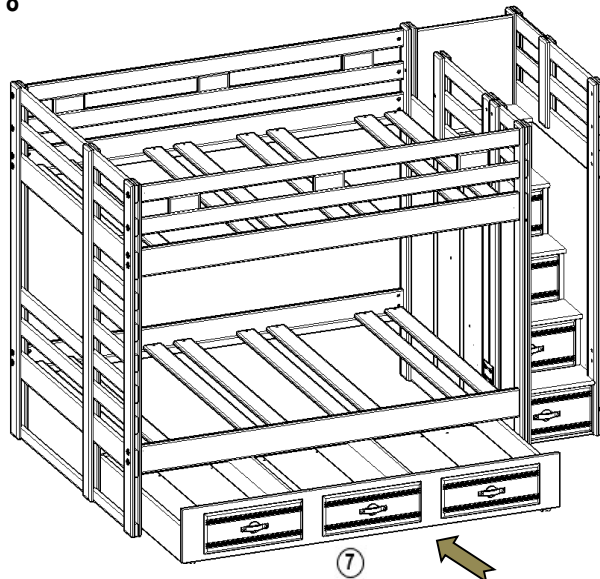
**STEP 7**



Assemble guardrails and tighten all bolts.

**MAKE SURE ALL BOLTS ARE TIGHTENED COMPLETELY**

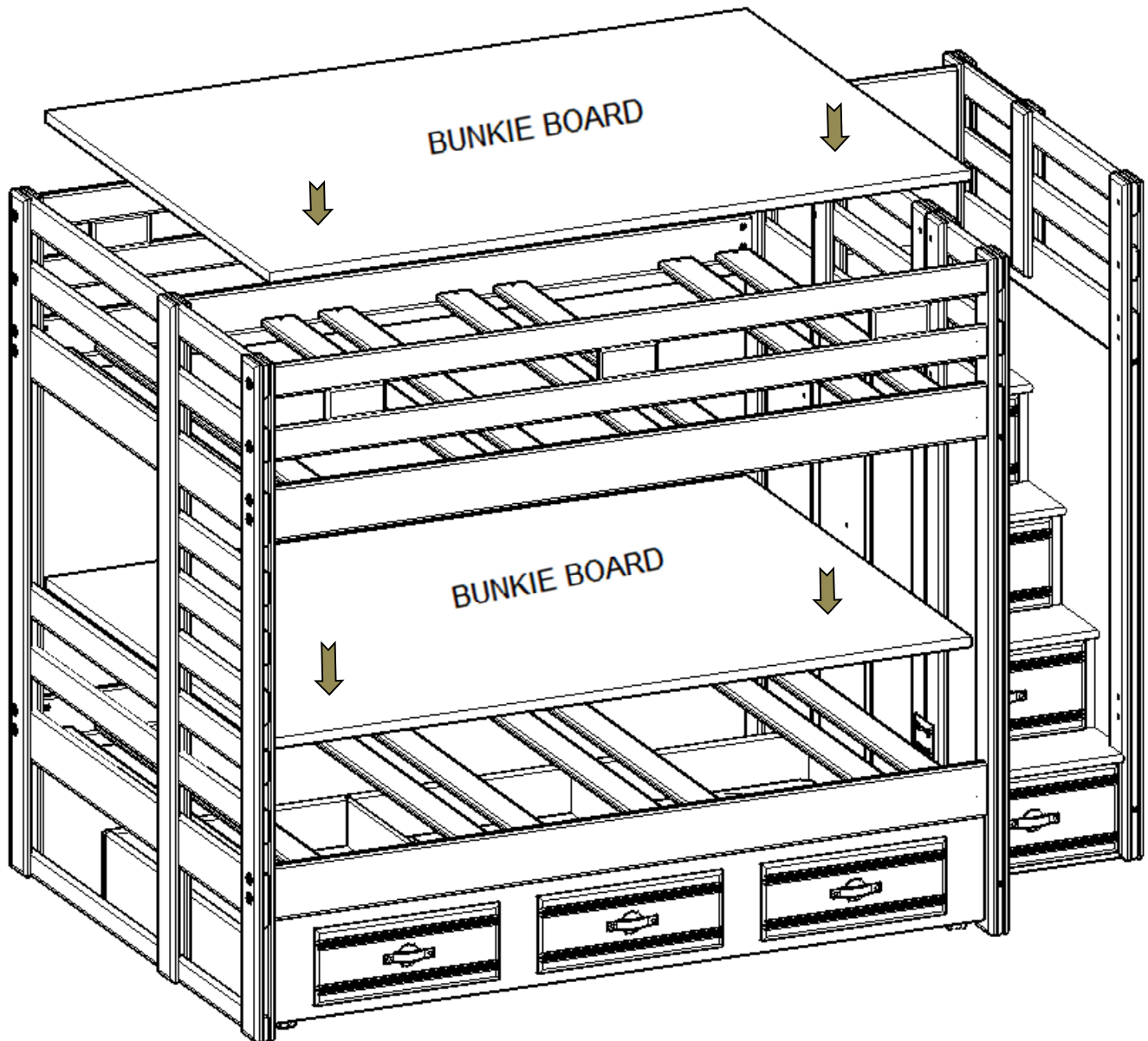
**STEP 8**



For **Add on Trundle** bed follow assembly instructions inside Trundle bed box, then slide under the bed as shown.

# ASSEMBLY INSTRUCTIONS

## STEP 9



**Place Bunkie boards (required, sold separately) on top of the slats**

**Use only correct mattress dimensions and Bunkie board:**

Twin size mattress- 74" - 75" long and 37-1/2" - 38-1/2" wide

Twin size Bunkie board- 74" long and 37-1/2" wide

Full size mattress- 74" - 75" long and 52-1/2" - 53-1/2" wide

Full size Bunkie board- 74" long and 52-1/2" wide

PLEASE CONTACT YOUR RETAIL STORE WITH SERVICE OR PARTS REPLACEMENT REQUEST