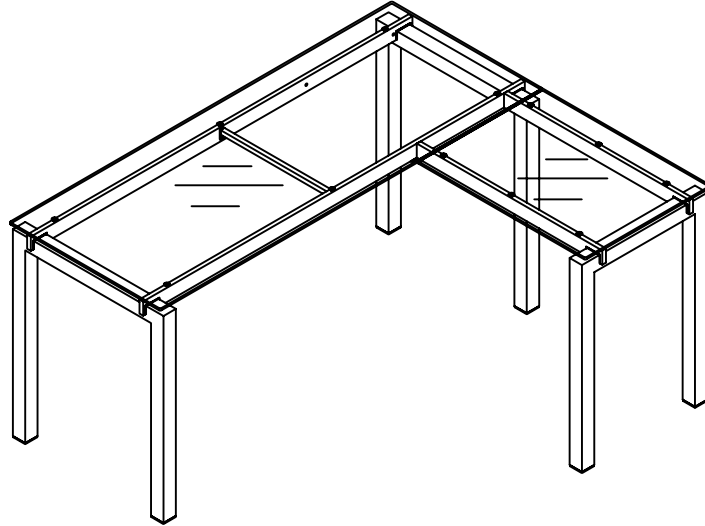


PROVO

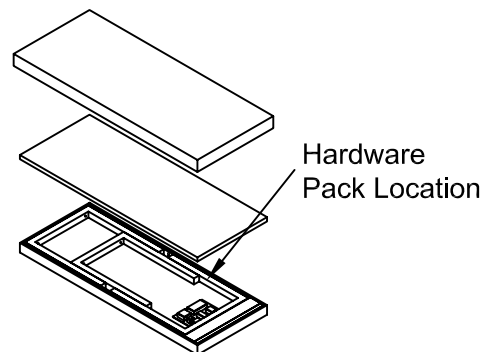
71125RW / 71125RBK

L SHAPE DESK



SKU# 38171257(WHITE)/38271259(BLACK)			
NO.	ITEM DESCRIPTION	IMAGE	QTY
A	Side frame(A)		2
B	Side frame(B)		1
C	Long cross bar(C)		1
D	Long cross bar(D)		1
E	Short cross bar(E)		1
F	Short cross bar(F)		1
G	Short cross bar(G)		1
H	Short top glass(H)		1
J	Long top glass(J)		1

HARDWARE			
NO.	ITEM DESCRIPTION	IMAGE	QTY
1	1/4"x20x2 ¹ / ₂ "		6PCS
2	1/4"x20x5/8"		4PCS
3	1/4"x20x1"		2PCS
4	Plastic suction cup		12PCS
5	4x4mm Allen Wrench		1PC



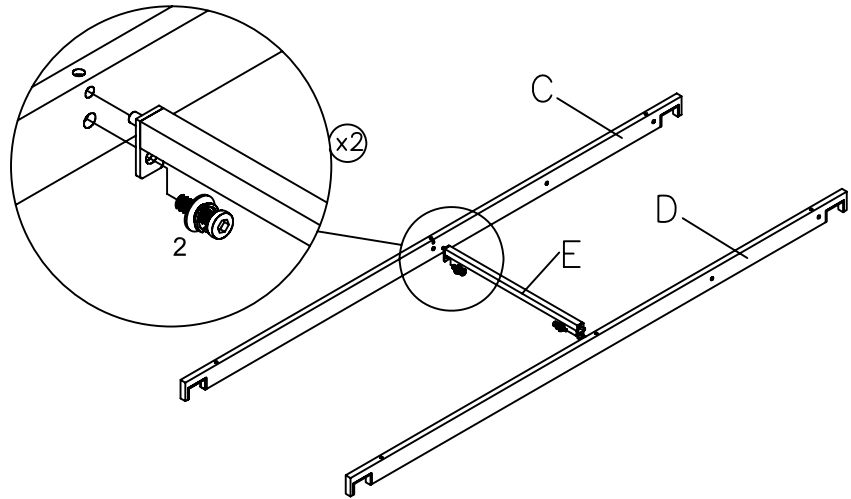
DO NOT USE SUBSTITUTE PARTS. PLEASE CONTACT YOUR RETAIL STORE OR WWW.ROOMSTOGO.COM WITH SERVICE OR PARTS REPLACEMENT REQUEST

Thank you for purchasing this quality product. Be sure to check all packing material carefully for small parts which may have come loose inside the carton during shipment. Identify and count all parts and compare with the parts list. Read all instructions before assembling furniture and keep these instructions for future reference.

Assembly Instructions:

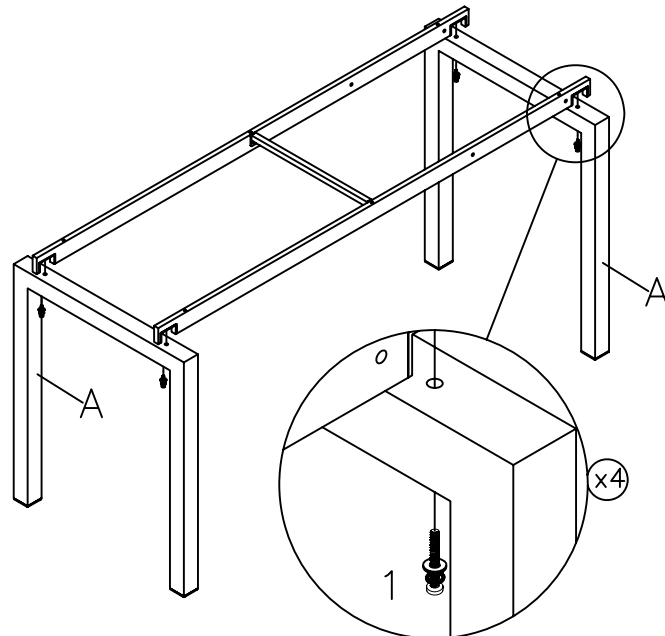
STEP1:

Attach Short Cross Bar (E) to Long Cross Bar (C), and Long Cross Bar (D) with Bolts (2) using Allen Wrench (5).



STEP2:

Attach Long Cross Bar (C) and Long Cross Bar (D) to Side Frame (A) with Bolts (1) using Allen Wrench (5).



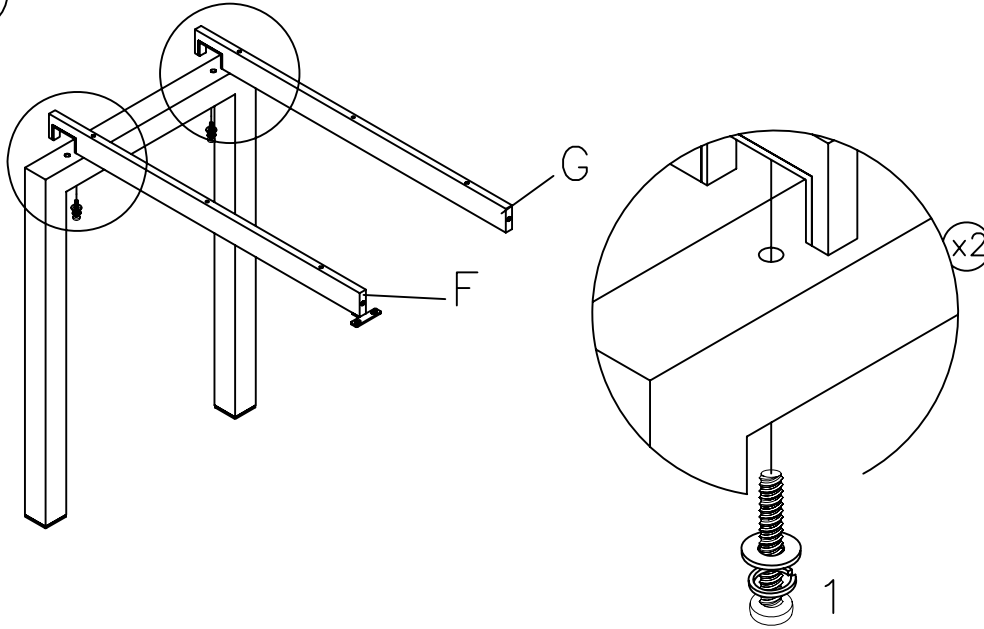
DO NOT USE SUBSTITUTE PARTS. PLEASE CONTACT YOUR RETAIL STORE OR WWW.ROOMSTOGO.COM WITH SERVICE OR PARTS REPLACEMENT REQUEST

Assembly Instructions:

STEP 4: Optional

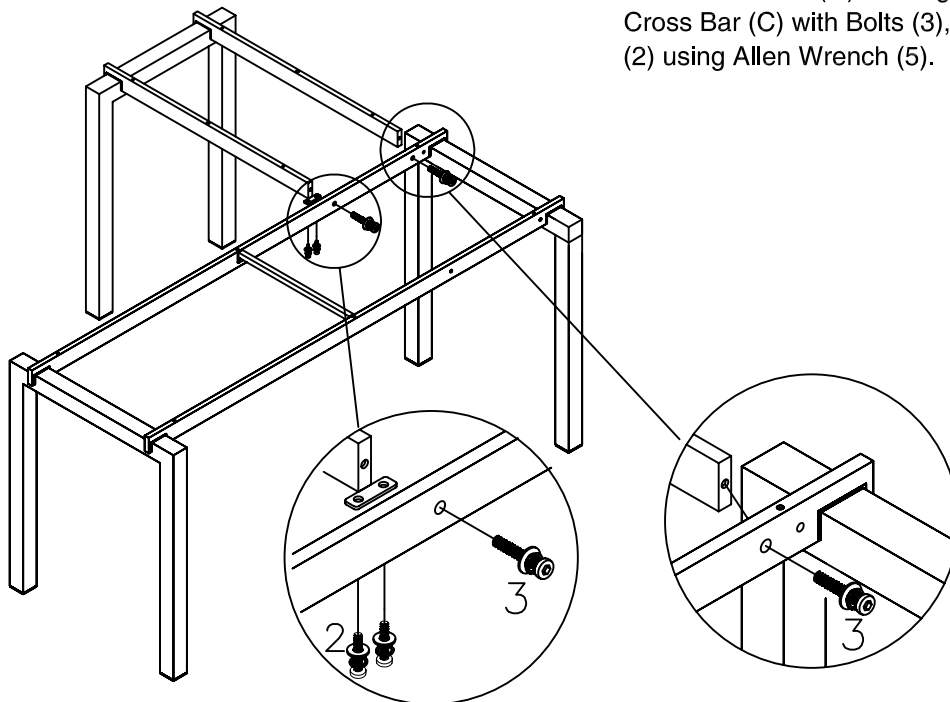
Optional: Attach Short Cross Bar (F) and Short Cross Bar (G) to Side Frame (B) with Bolts (1) using Allen Wrench (5).

(B)
4-1



(B)
4-2

Attach Short Cross Bar (F) and Short Cross Bar (G) to Long Cross Bar (C) with Bolts (3), Bolts (2) using Allen Wrench (5).

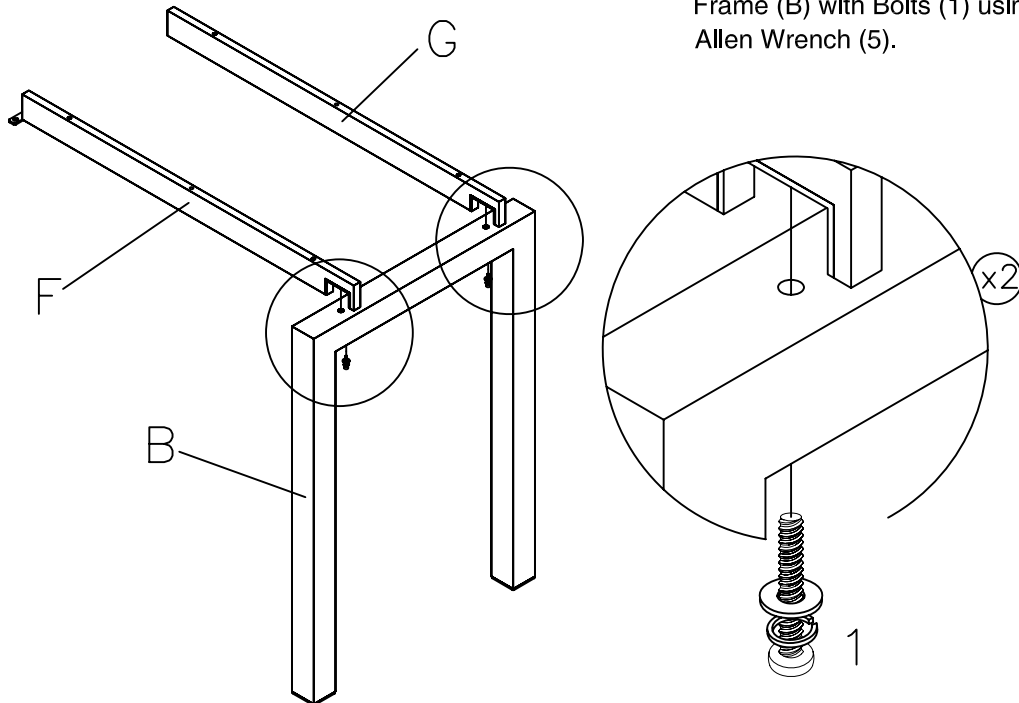


DO NOT USE SUBSTITUTE PARTS. PLEASE CONTACT YOUR RETAIL STORE OR WWW.ROOMSTOGO.COM WITH SERVICE OR PARTS REPLACEMENT REQUEST

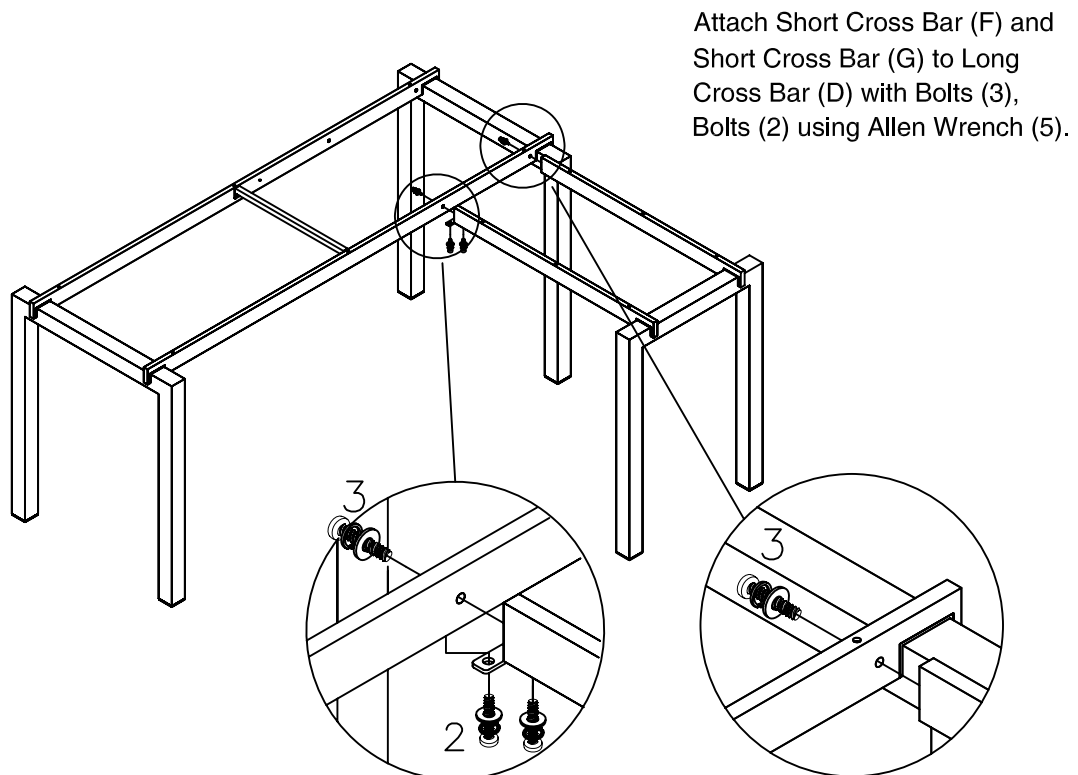
Assembly Instructions:

STEP3:

(A)
3-1



(A)
3-2

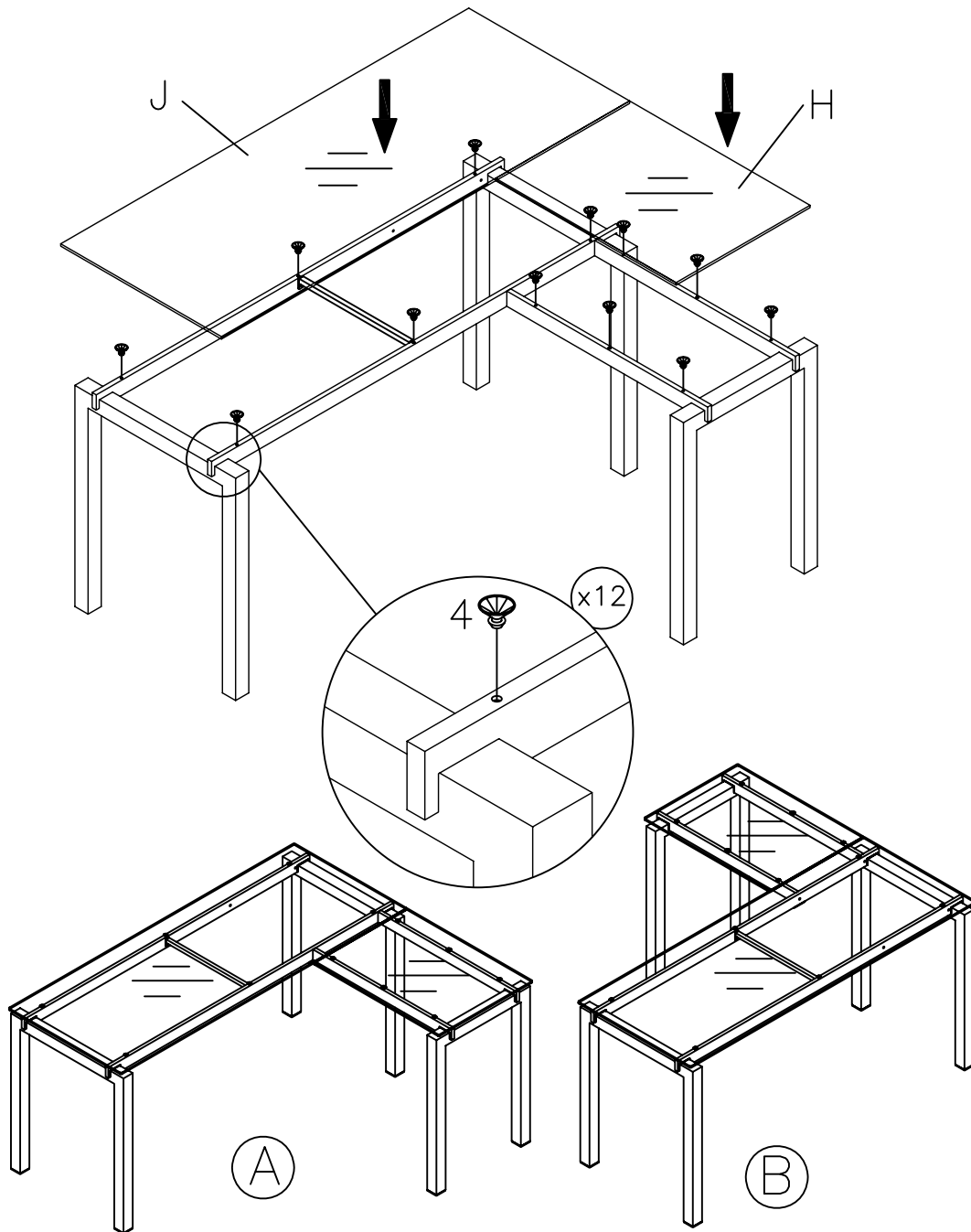


DO NOT USE SUBSTITUTE PARTS. PLEASE CONTACT YOUR RETAIL STORE OR WWW.ROOMSTOGO.COM WITH SERVICE OR PARTS REPLACEMENT REQUEST

Assembly Instructions:

STEP5:

Assemble all Plastic Suction Cups (4) into holes, then put the Long Top Glass (J) and Short Top Glass (H) on frame. Note: Please make sure all the suction cups are assembled properly before assemble the glass, and ensure fully tighten all bolts from Steps 1 through 3 (or optional Step 4).



DO NOT USE SUBSTITUTE PARTS. PLEASE CONTACT YOUR RETAIL STORE OR WWW.ROOMSTOGO.COM WITH SERVICE OR PARTS REPLACEMENT REQUEST