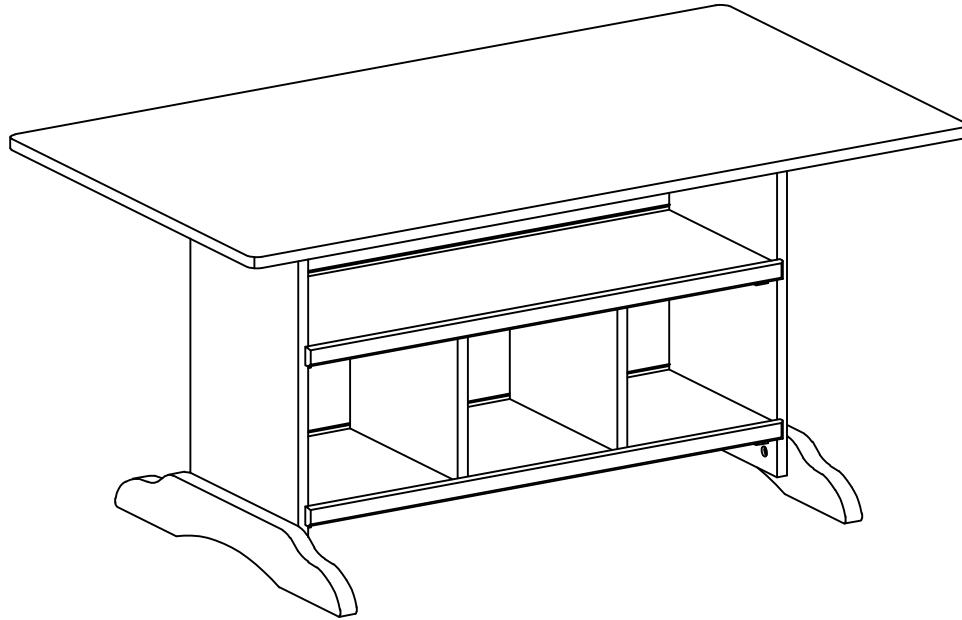

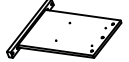




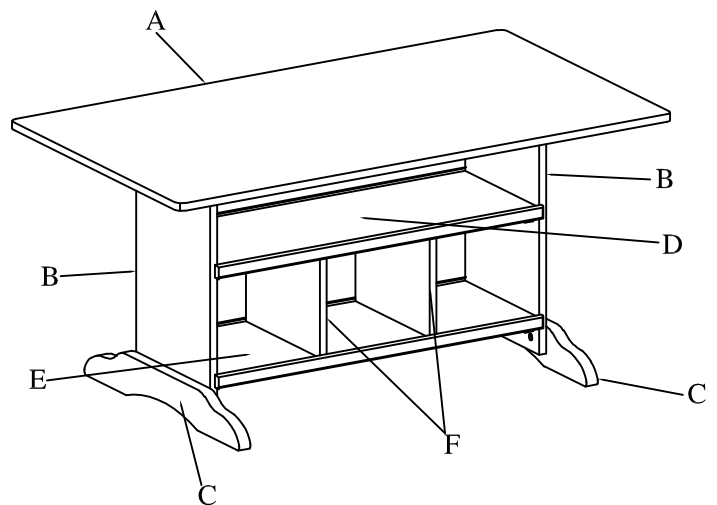


## JO JO STORAGE TABLE







NO.	SKU	STYLE NO.	FINISH	ITEM DESCRIPTION
A.	38291112	91111E	ESPRESSO	91111E STORAGE TABLE
B.	38391114	91111W	WHITE	91111W STORAGE TABLE
C.	38491116	91111G	GRAY	91111G STORAGE TABLE

PARTS LIST			
NO.	ITEM DESCRIPTION	IMAGE	QTY
A	Table Top		1PC
B	Leg Pillar		2PCS
C	Bottom Leg Bar		2PCS
D	Top Shelf		1PC
E	Bottom Shelf		1PC
F	Center Panel		2PCS



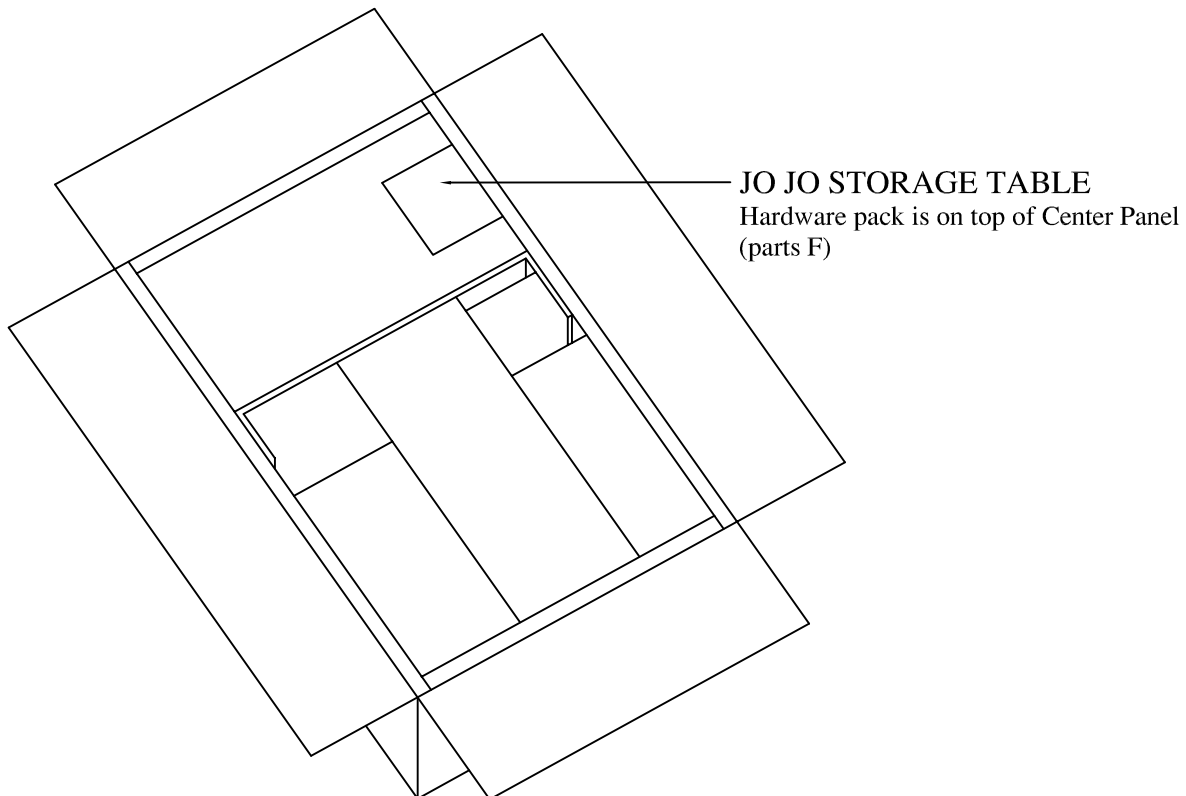
DO NOT USE SUBSTITUTE PARTS. PLEASE CONTACT YOUR RETAIL STORE OR [WWW.ROOMSTOGO.COM](http://WWW.ROOMSTOGO.COM) WITH SERVICE OR PARTS REPLACEMENT REQUEST

STORAGE TABLE HARDWARE LIST			
NO.	ITEM DESCRIPTION	IMAGE	QTY
1	Allen Bolt Ø1/4"*20*30mm		22pcs
2	Lock Washer Ø1/4"		22pcs
3	Flat Washer Ø1/4*13mm		22pcs
4	Allen Wrench 4mm		1PC

\*\* SCREWDRIVER(NOT PROVIDED) 

**Hardware Pack Locations:**

NO.	SKU	STYLE NO.	FINISH	ITEM DESCRIPTION
A.	38291112	91111E	ESPRESSO	91111E STORAGE TABLE
B.	38391114	91111W	WHITE	91111W STORAGE TABLE
C.	38491116	91111G	GRAY	91111G STORAGE TABLE

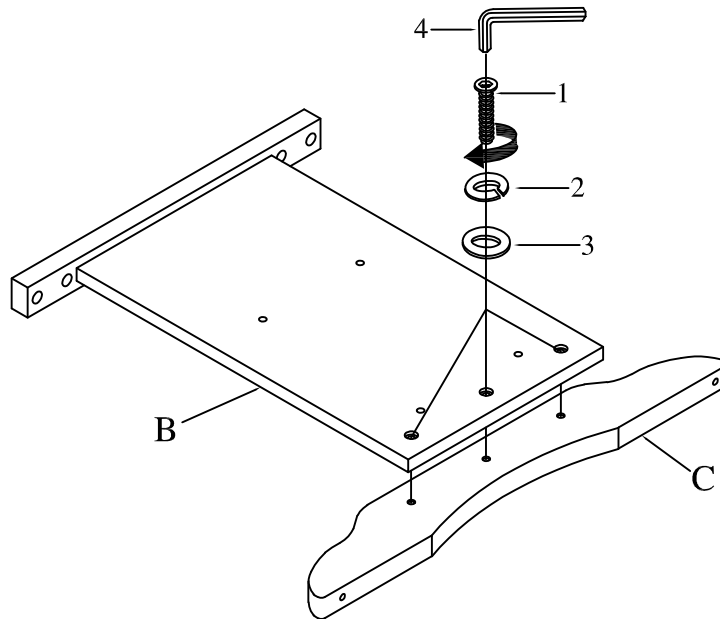


DO NOT USE SUBSTITUTE PARTS. PLEASE CONTACT YOUR RETAIL STORE OR [WWW.ROOMSTOGO.COM](http://WWW.ROOMSTOGO.COM)  
 WITH SERVICE OR PARTS REPLACEMENT REQUEST

Thank you for purchasing this quality product. Be sure to check all packing material carefully for small parts which may have come loose inside the carton during shipment. Identify and count all parts and compare with the parts list. Read all instructions before assembling furniture and keep these instructions for future reference.

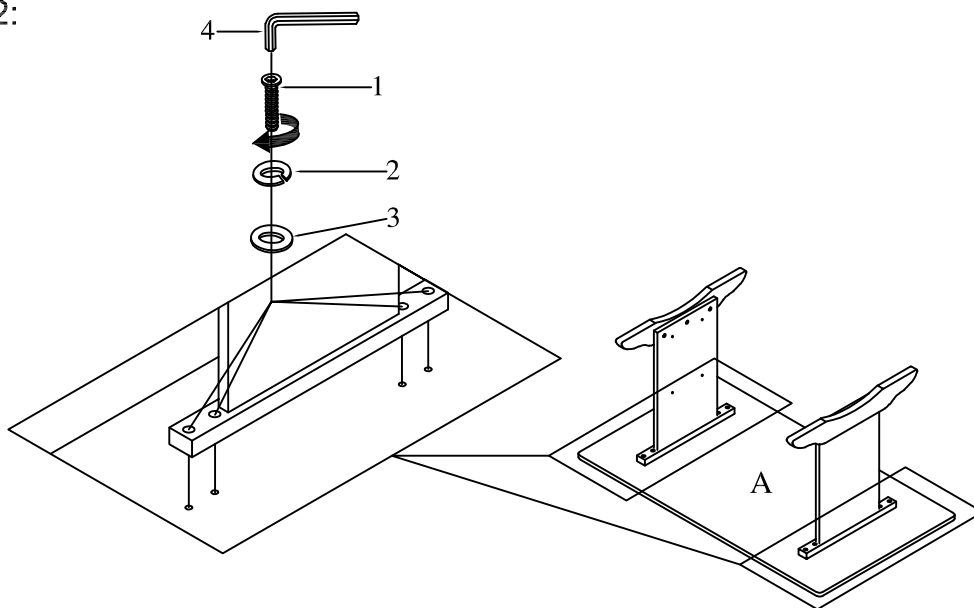
## Assembly Instructions:

### STEP1:



Attach leg pillar (B) to bottom leg bar (C) .Tighten by allen bolt (1), lock washer (2) and flat washer (3) with allen key (4).

### STEP2:

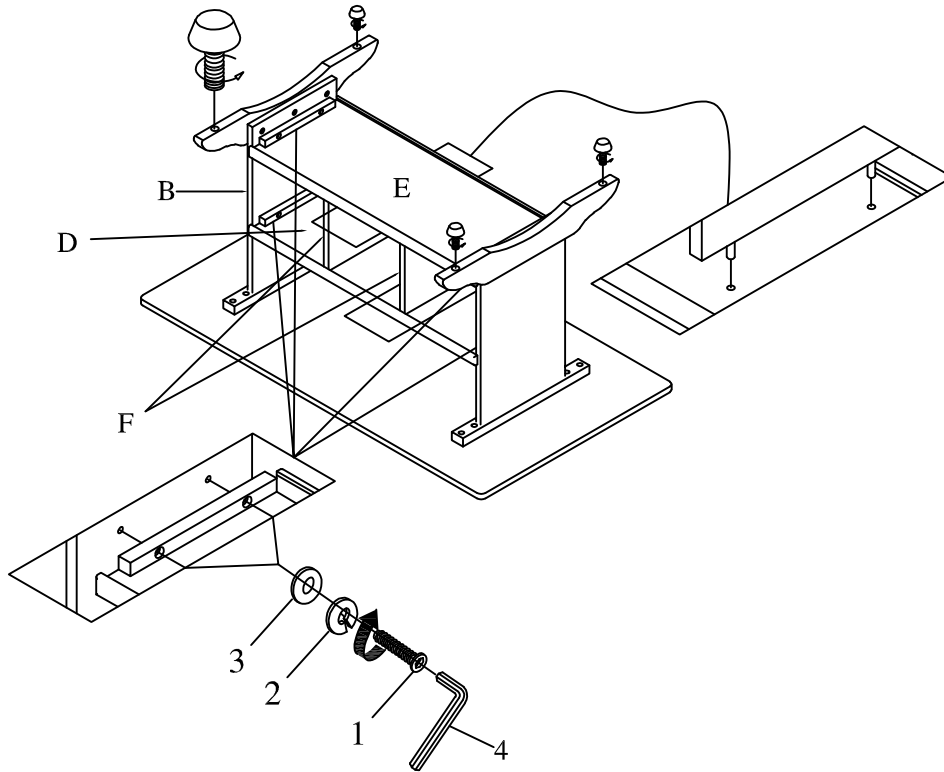


Attach leg pillar (B) to table top (A) .Tighten by allen bolt (1), lock washer (2) and flat washer (3) with allen key (4).Do not fully tighten all the bolts at this step.

DO NOT USE SUBSTITUTE PARTS. PLEASE CONTACT YOUR RETAIL STORE OR [WWW.ROOMSTOGO.COM](http://WWW.ROOMSTOGO.COM)  
WITH SERVICE OR PARTS REPLACEMENT REQUEST

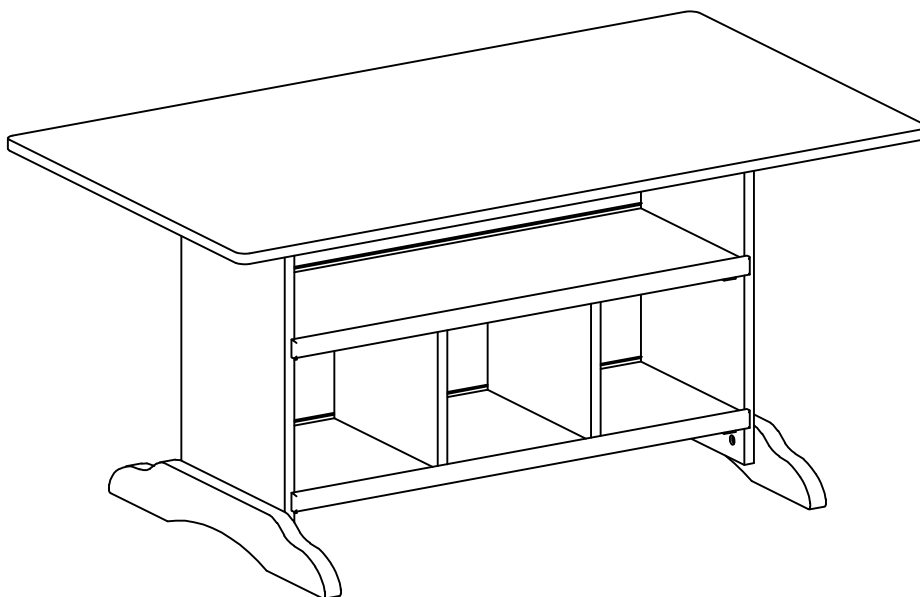
## Assembly Instructions:

### STEP3:



Attach center panel (F) to bottom shelf (E) and top shelf (D). Then attach bottom shelf (E) and top shelf (D) to top leg pillar (B). Tighten by allen bolt (1), lock washer (2) and flat washer (3) with allen key (4). Tighten all bolts at this step.

### STEP4:



DO NOT USE SUBSTITUTE PARTS. PLEASE CONTACT YOUR RETAIL STORE OR [WWW.ROOMSTOGO.COM](http://WWW.ROOMSTOGO.COM) WITH SERVICE OR PARTS REPLACEMENT REQUEST