



3834216P - Gray

3834116P - Sand

SAFETY FIRST !!!!!

4114R-4214R-4814R Mission Stair Stepper Bunk Bed

All of Discovery's Bunkbeds were designed and manufactured with your child's safety as our top priority. Their unparalleled strength is a bi-product of the safety design. Our bunks meet all compliance with ASTM F 1427-13 "Standard Consumer Safety Specification for Bunk Beds" and Code of Federal Regulations (CFR) 1213 "Safety Standards for Entrapment Hazards in Bunk Beds" and (CFR) 1513 "Requirements for Bunk Beds".

Safety is a cooperative effort between us as the manufacturer, and you as a guardian. Please read and consider the warnings listed below when choosing a mattress and discussing rules of use with your child.

SAFETY WARNINGS

1. Follow the information on the warnings appearing on the upper bunk end structure and on the carton. Do not remove warning label from bed.
2. Always use the recommended size mattress or mattress support, or both, to help prevent the likelihood of entrapment or falls.
3. Surface of mattress must be at least 5 inches (127 mm) below the upper edge of guardrails.
4. Do not allow children under 6 years of age to use the upper bunk.
5. Prohibit more than one person on the upper bunk.
6. Periodically, check and ensure that the guardrail, ladder, and other components are in their proper position, free from damage, and that all connectors are tight.
7. Do not allow horseplay on or under the bed and prohibit jumping on the bed.
8. Always use the ladder for entering and leaving the upper bunk.
9. Do not use substitute parts. Contact the manufacturer or dealer for replacement parts.
10. Use of a nightlight may provide added safety precaution for a child using the upper bunk.
11. Always use guardrails on both long sides of the upper bunk. If bunk bed will be placed next to the wall, the guardrail that runs the full length of the bed should be placed against the wall to prevent entrapment between the bed and wall.
12. The use of water or sleep flotation mattresses is prohibited.
13. Keep these instructions for future reference.

STRANGULATION HAZARD—Never attach or hang items to any part of the bunk bed that are not designed for use with the bed; for example, but not limited to, hooks, belts and jump ropes

SIZE OF MATTRESS AND FOUNDATION

Use only mattress, foundation and deck combined which is 74-75 inches long and 37 ½-38 ½ inches wide on upper bunk. Ensure thickness of mattress and foundation combined does not exceed 9 inches and mattress and is at least 5 inches below upper edge of guardrails.

*****Replacement parts, including additional guardrails, may be obtained from any Discovery dealer or directly from us at the below address.

2963 Stonewall Place, Sanford, Fl 32773

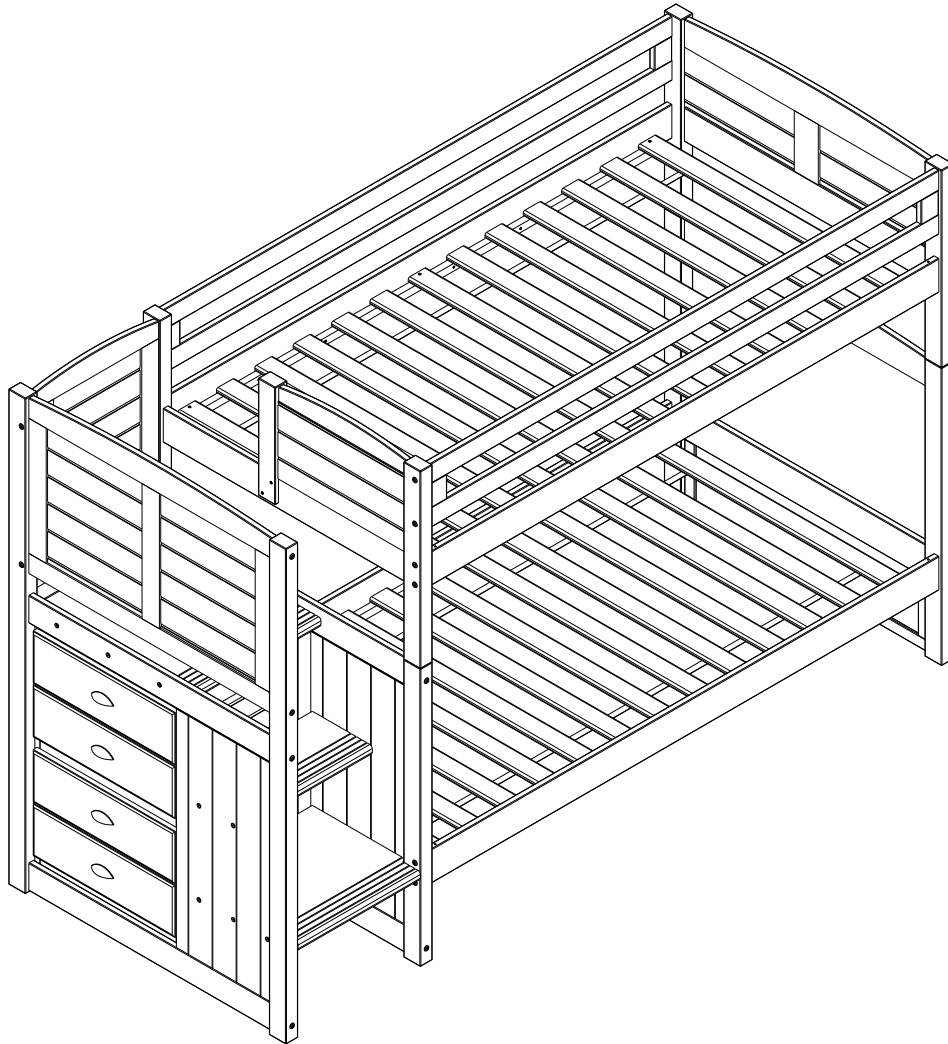
Replacement Parts & Limited Warranty


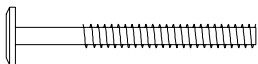

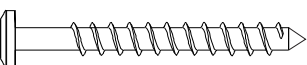



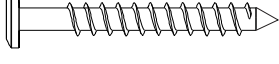


Discovery World Furniture will replace any component part free of charge for 1 full year via UPS freight collect. Discovery World Furniture will replace any component part for 50% of the then prevailing retail price plus freight for the lifetime of the product unless the product has been discontinued from our line. For service, mail your request to: Discovery World Furniture 2963 Stonewall Place, Sanford, FL 32773. (WWW.discoveryworldfurniture.com)


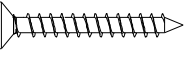



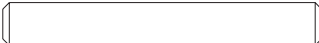
Patent # US 7,832,031 B1

Stair Stepper Bed Left Side Facing
***For Right side facing go to page 08**

Tool required
 Phillips screw driver

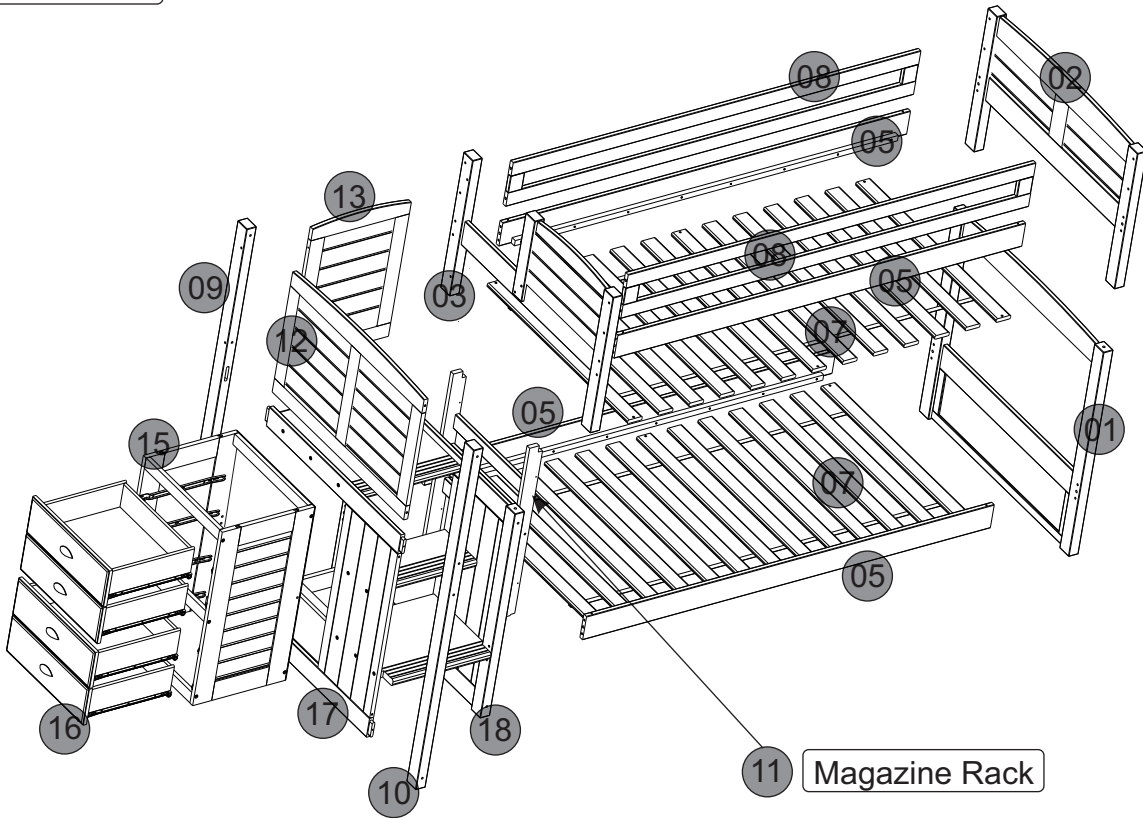


A		 3 1/2"	22
B		 4"	04
C		 3 1/2"	02
D		 3 1/2"	02
E		 3 1/2"	02

F		 1 1/4"	04
H	 ALLEN BIT (For use with power drill)		01
I	 ALLEN WRENCH		01
J	 1 3/4"		06
K	 3 1/2" x 3/8"		04

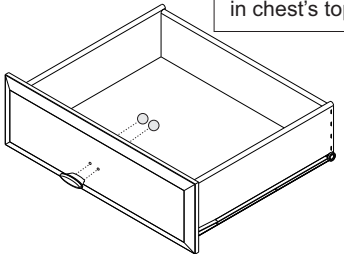
Parts List

Handles and screws
in top drawer, install
them at any time

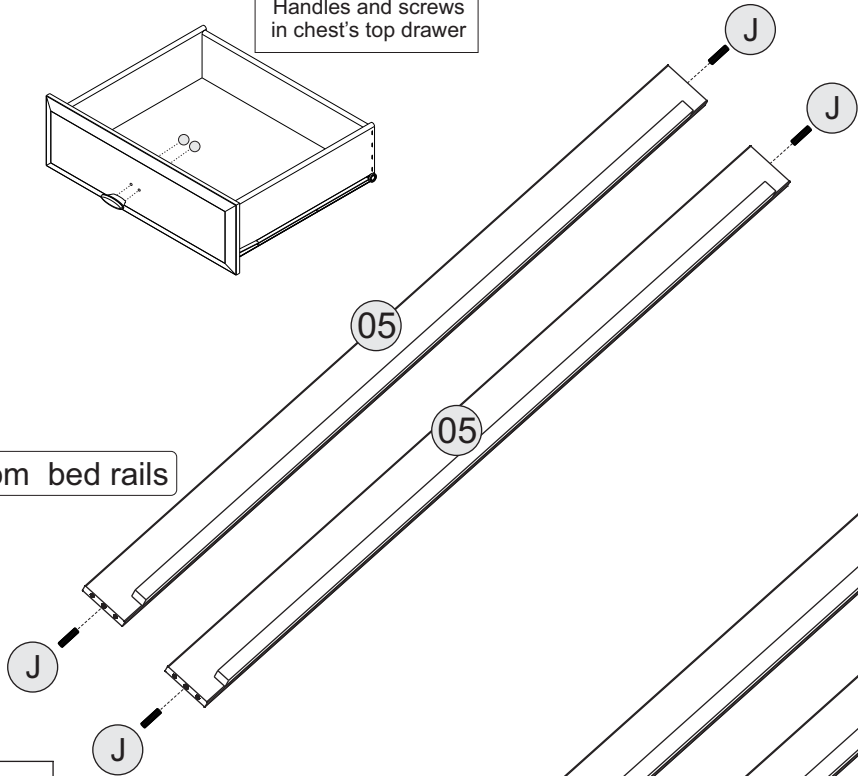


1

Handles and screws
in chest's top drawer

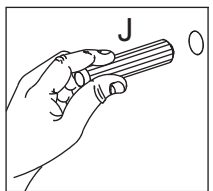
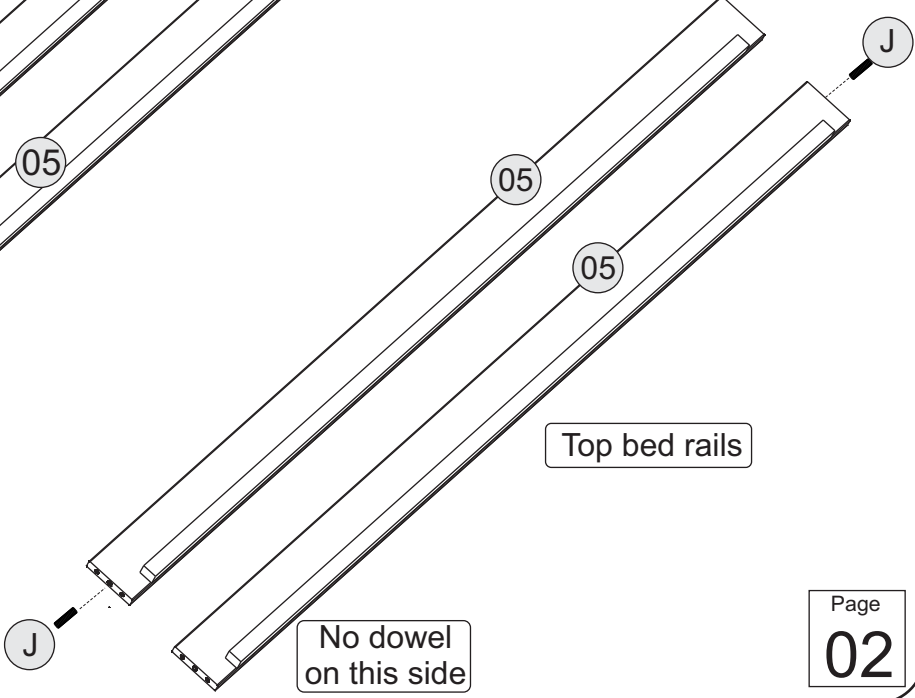


Bottom bed rails

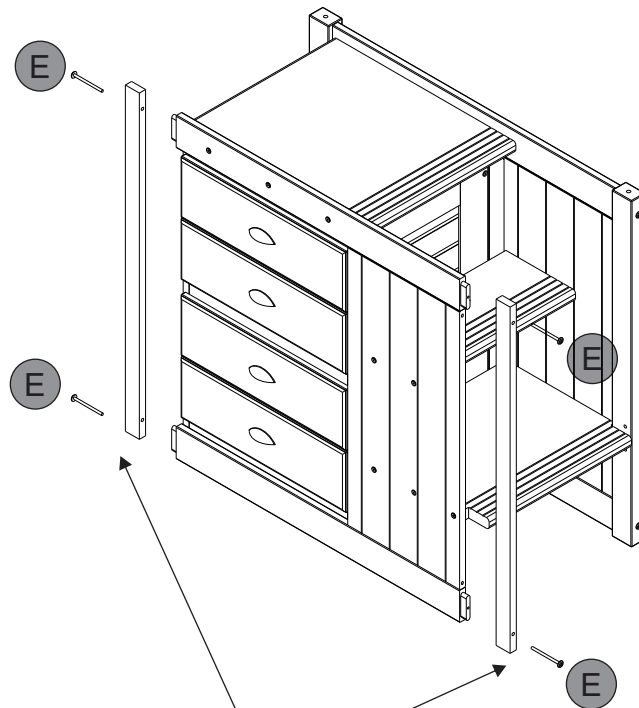


No dowel
on this side

Top bed rails



2



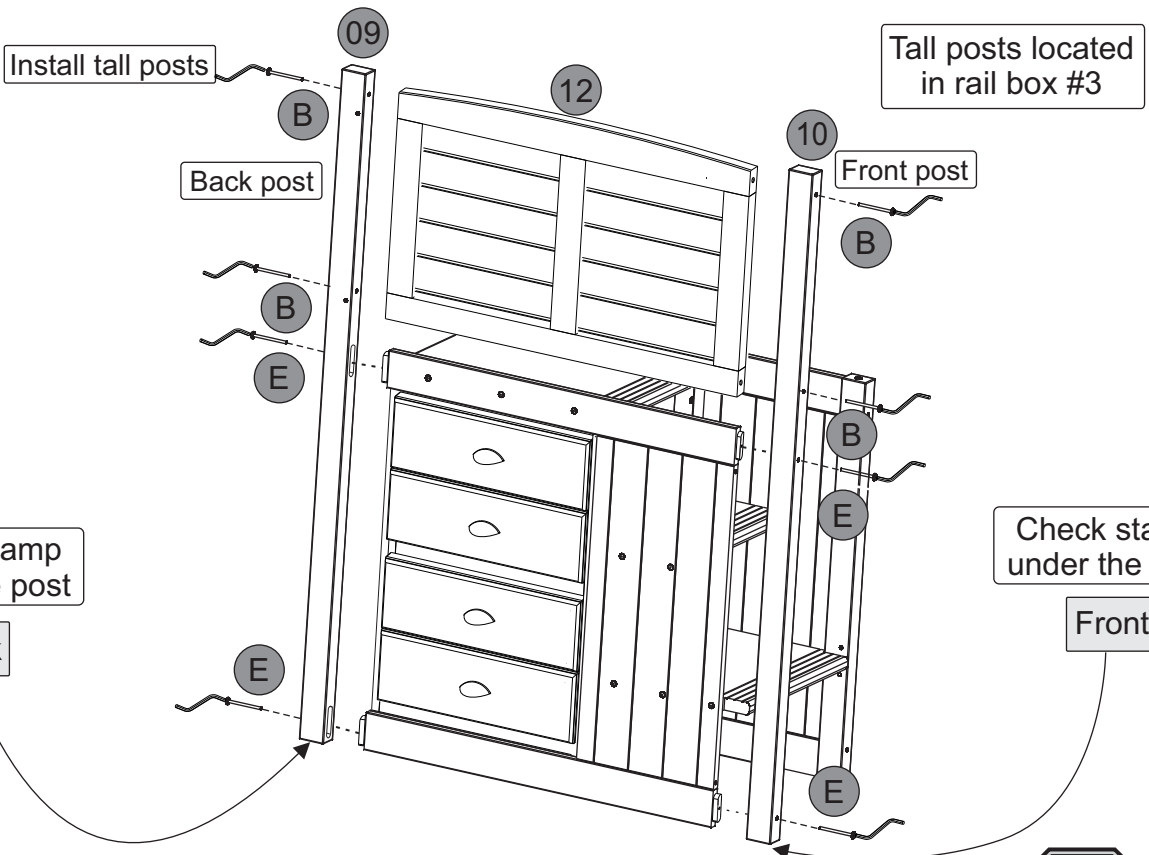
REMINDER

Important note

If you want the Stair on the right side please go to page 08

Remove shipping blocks and save screws for next step

3



Install tall posts

Tall posts located in rail box #3

Back post

Front post

Check stamp under the post

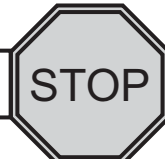
Check stamp under the post

Back

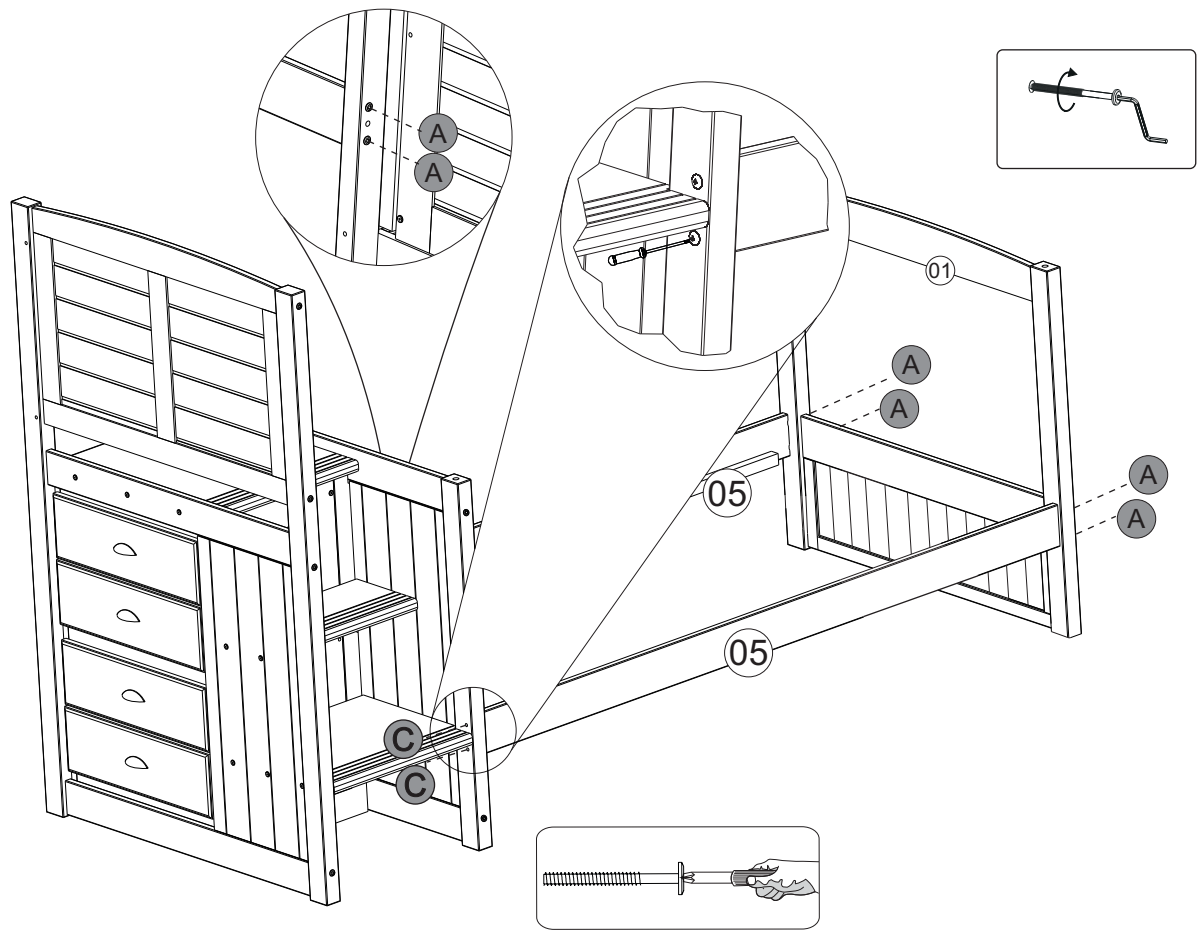
Front



If you bought the Twin/Full version please open the extension kit box and follow the instructions there before continuing



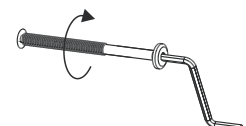
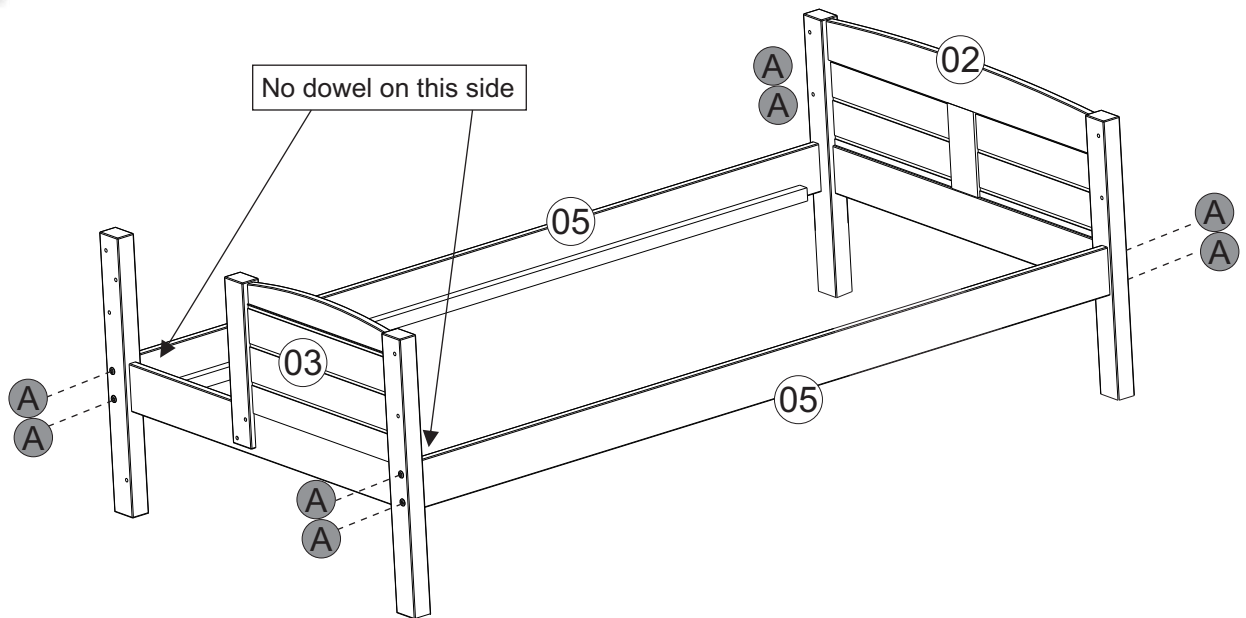
4



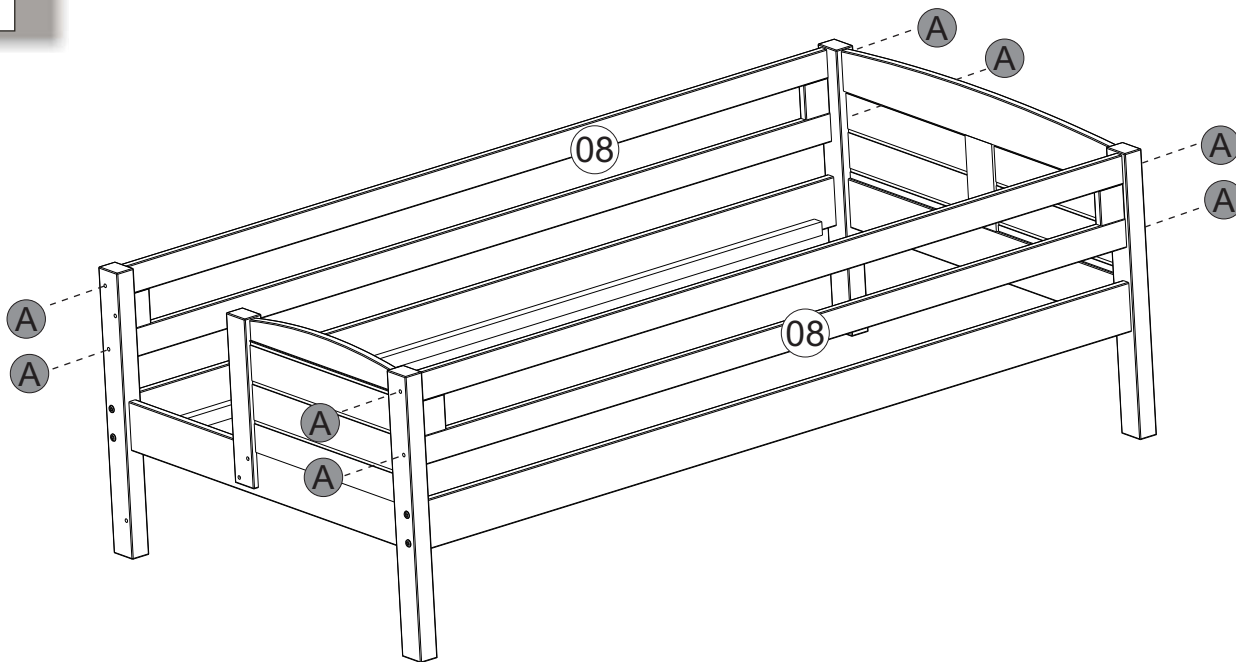
Phillips head screw, use screw driver.

5

Setup Top Bed



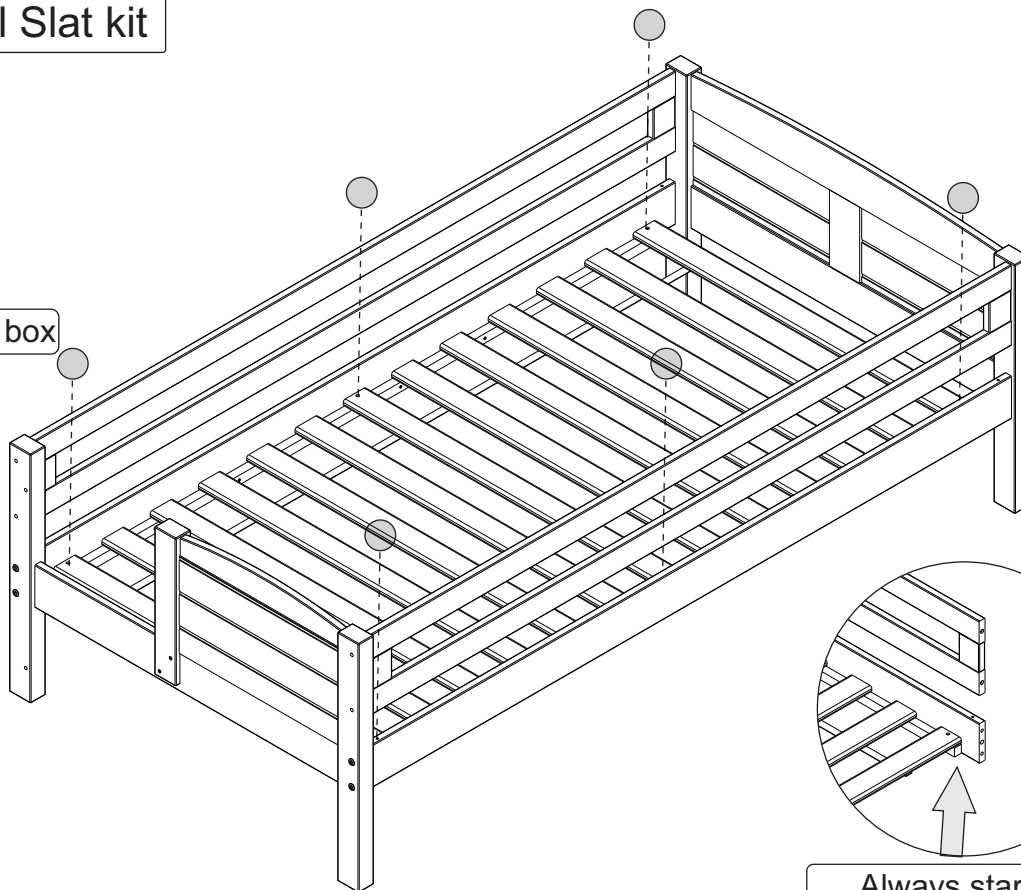
6



7

Install Slat kit

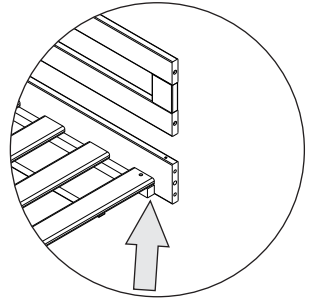
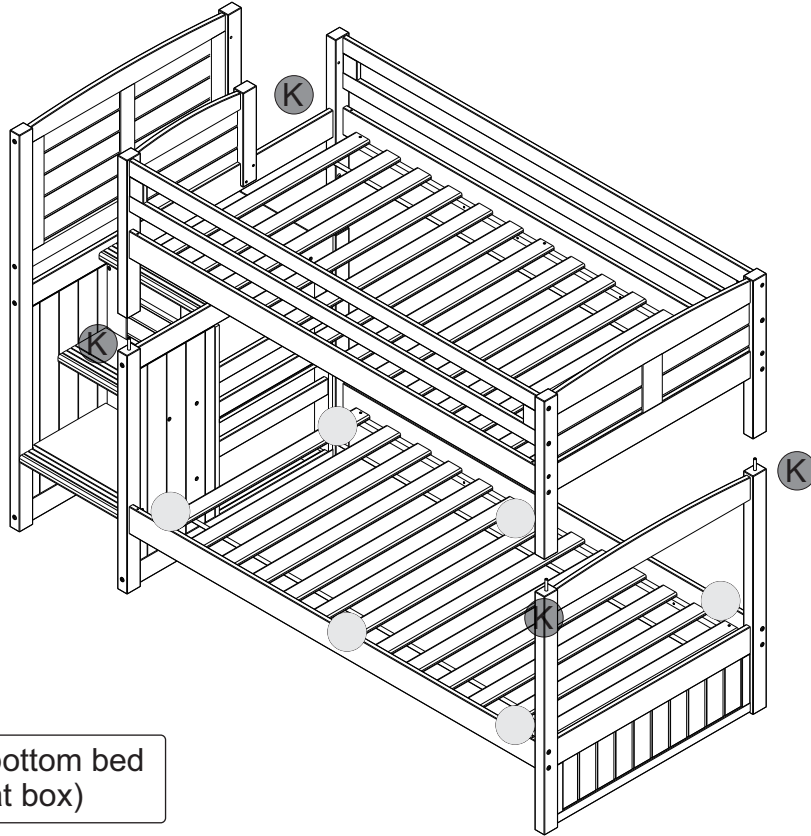
● Screws in slat box



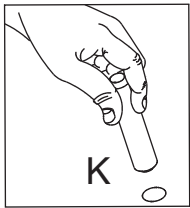
Always start assembling slat kit flush with cleat

8

Drop Top Bed in Place



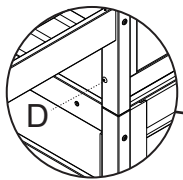
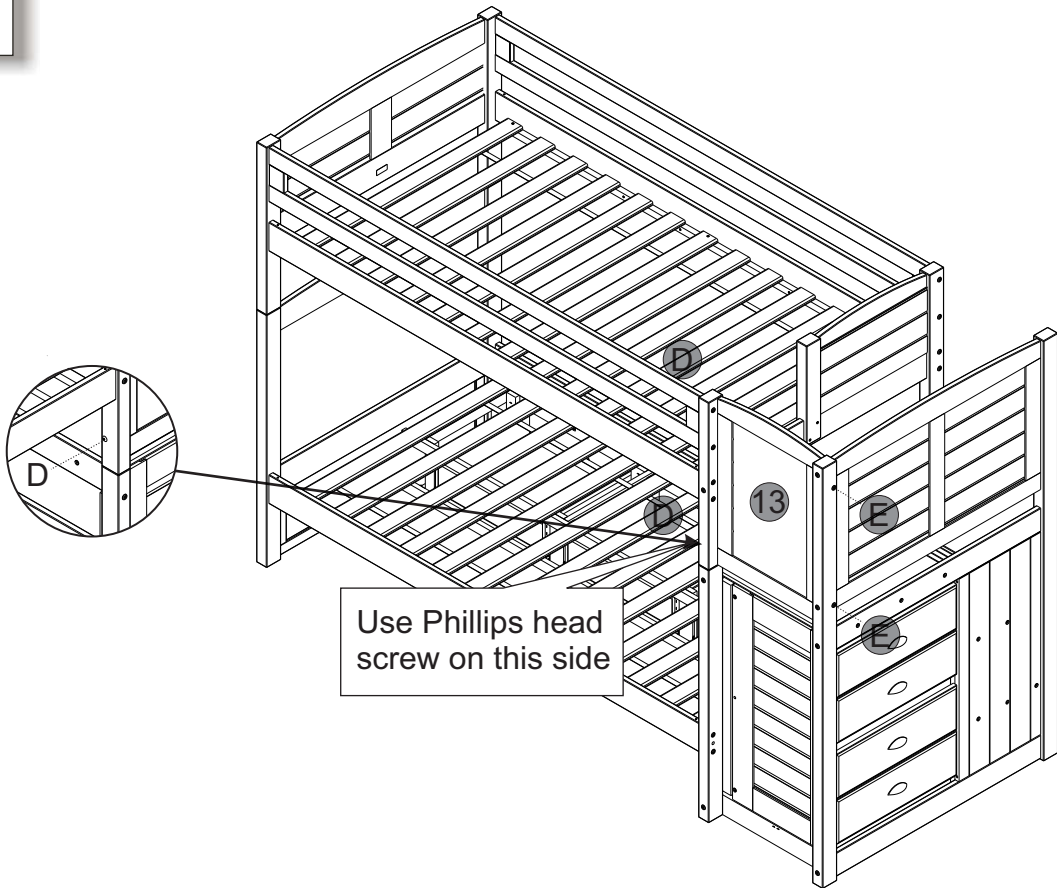
Always start assembling slat kit flush with cleat



Install Slat kit on bottom bed (Screws in slat box)

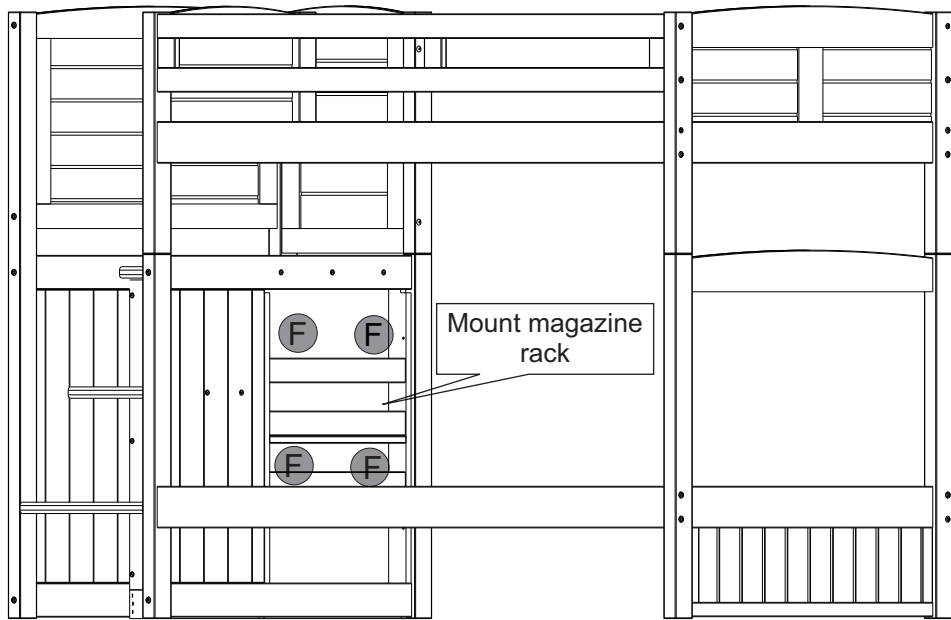
9

Install Back Panel

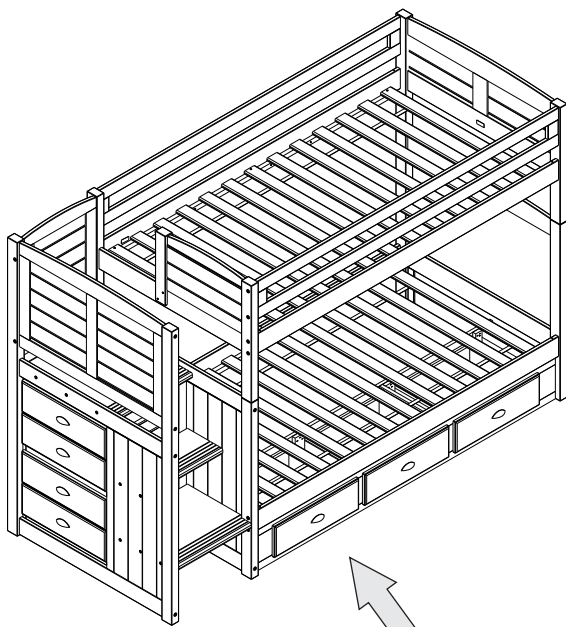


Use Phillips head screw on this side

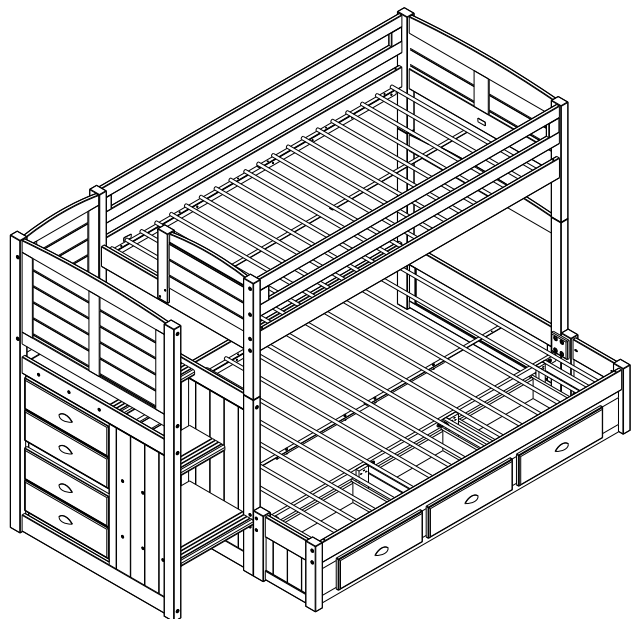
10



11

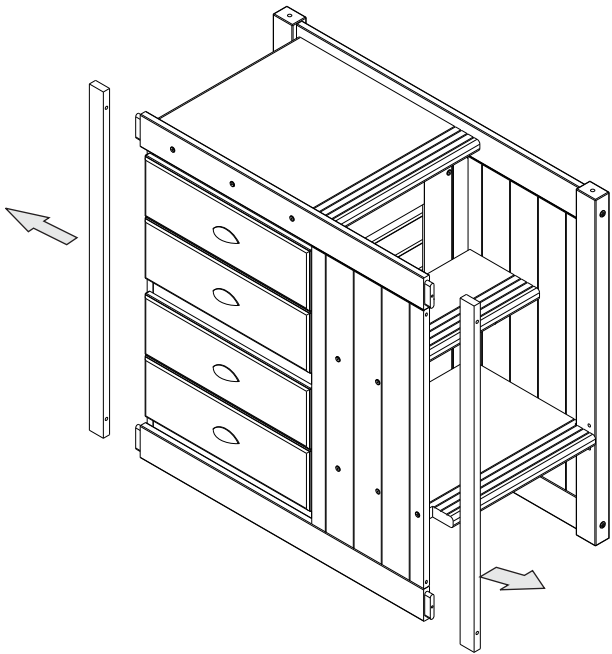


OPTIONAL
Pre-Assembled 3 Drawer Unit,
Simply Slide Under The Bunk

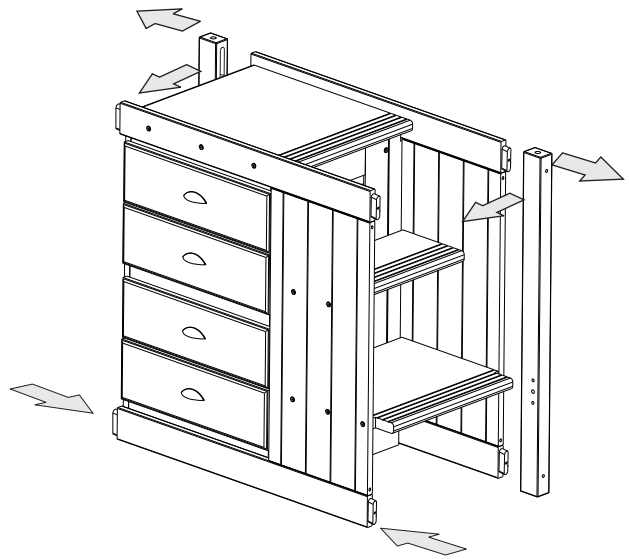


Shown With Optional Full Extension Kit

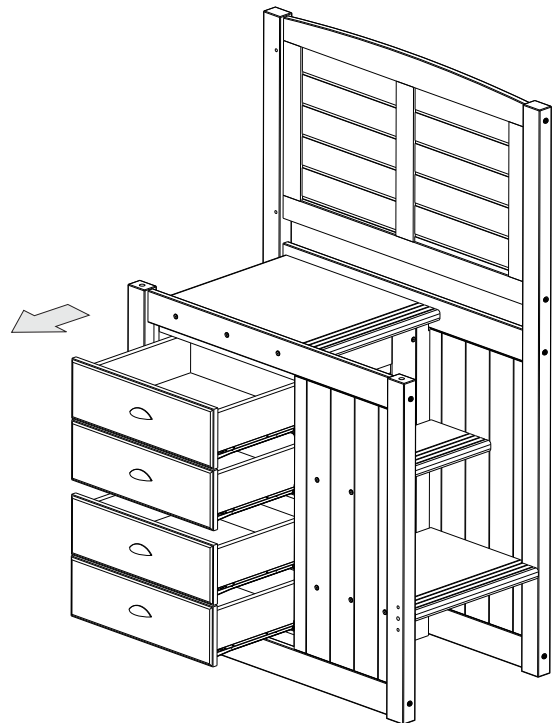
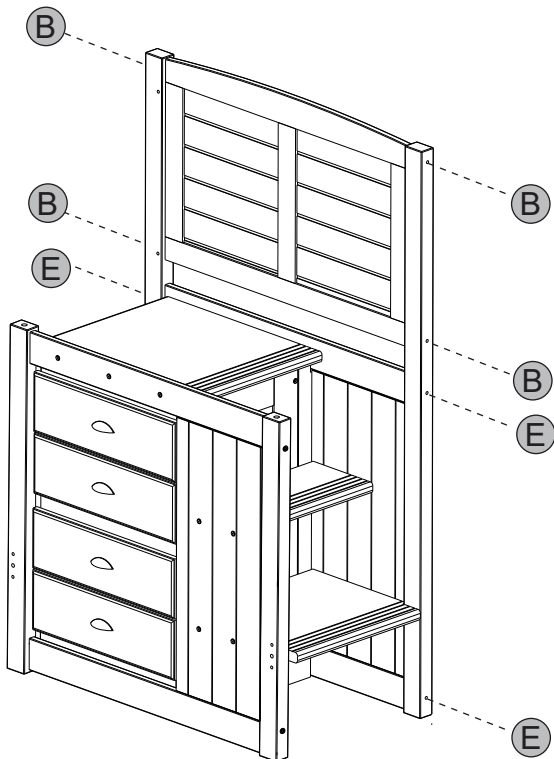
To Install stair case on the right side follow these steps



Remove and discard shipping block

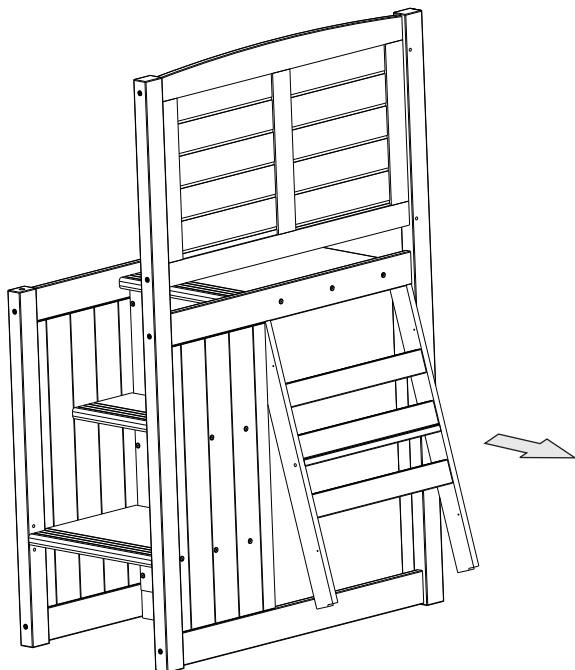


Remove both post and transfer it to this side



Remove Drawers

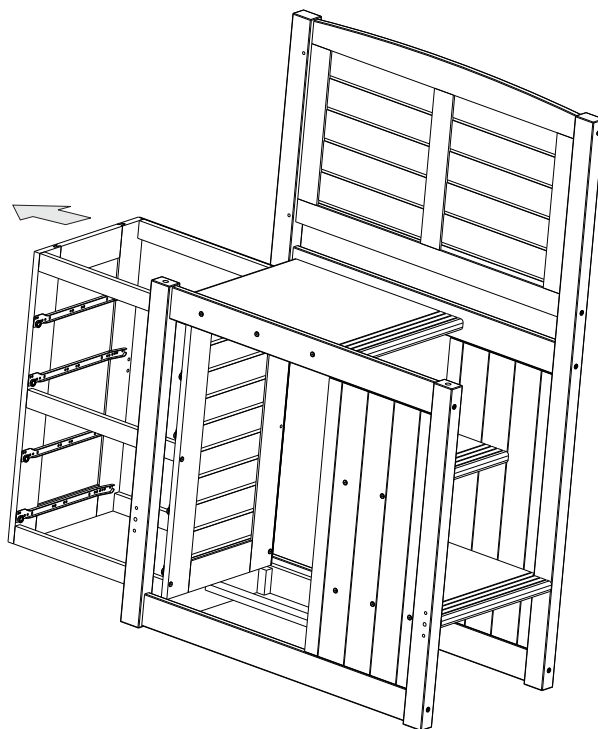
A



Remove Magazine Rack

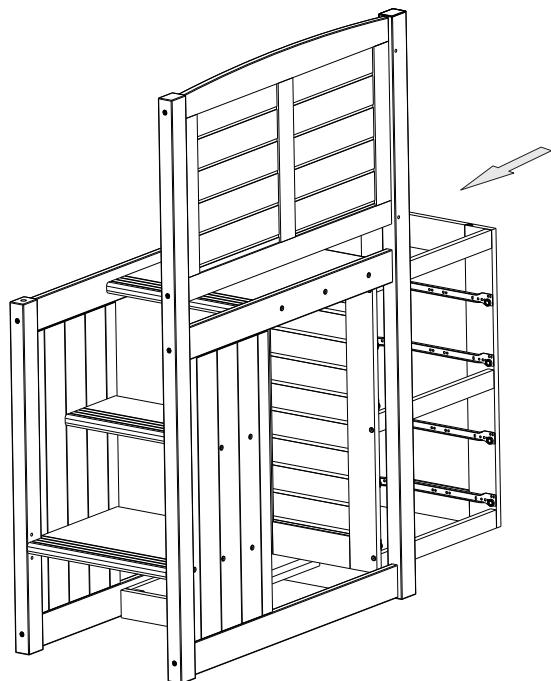
B

Slide Chest out



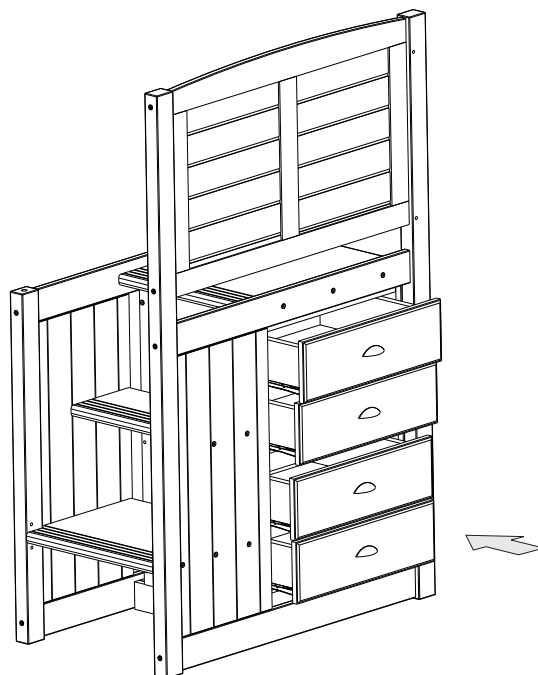
C

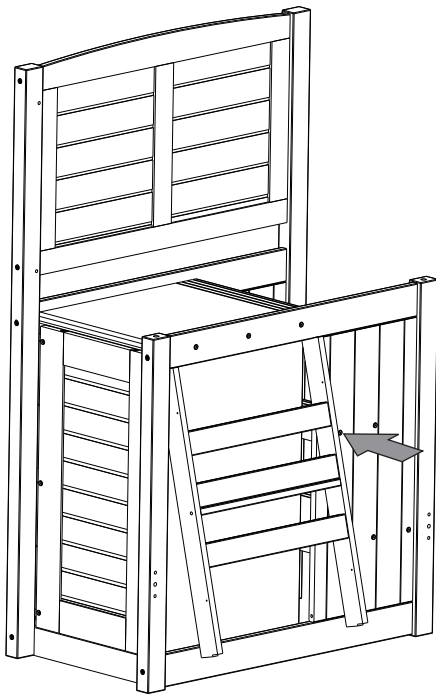
Turn chest around and slide it back in



D

Slide Drawers back in

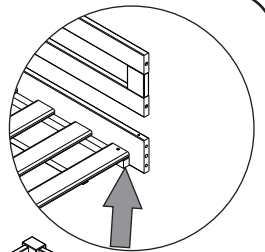




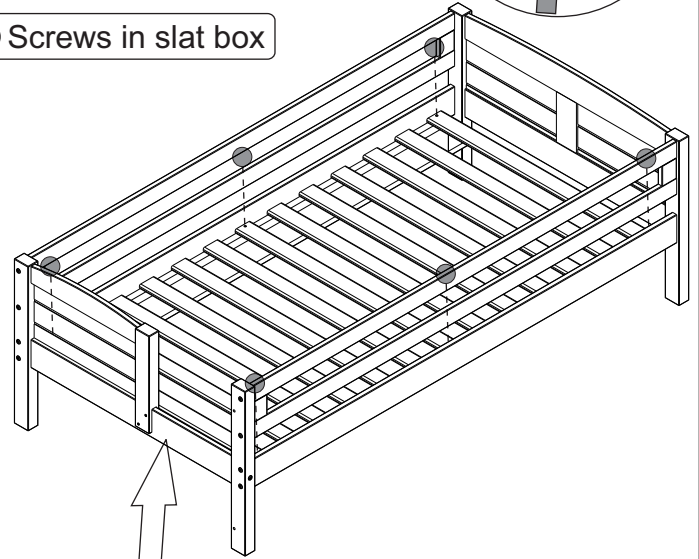
Insert Magazine Rack back in and screw it in place

Setup top bed

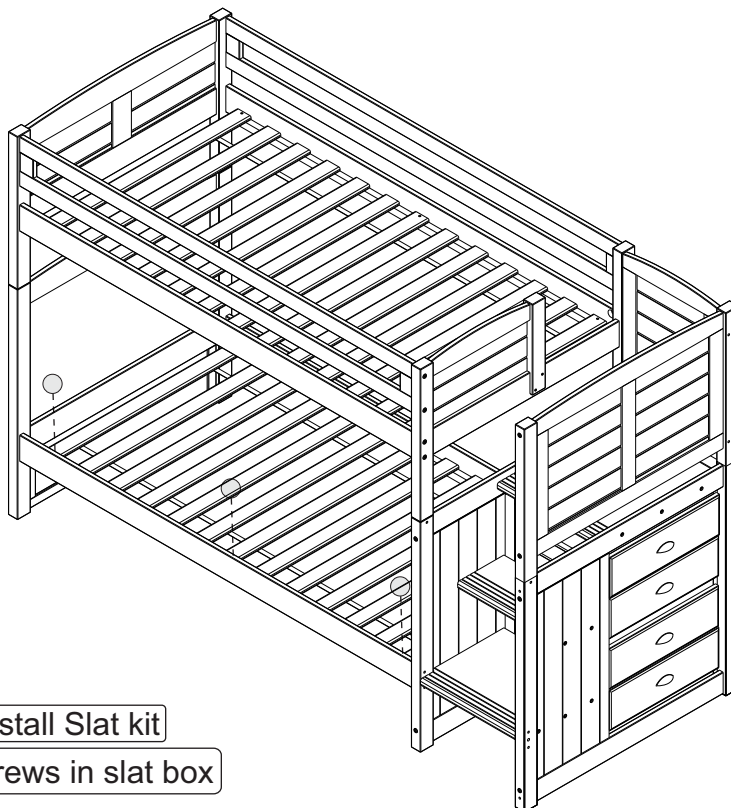
Always start assembling slat kit flush with cleat



● Screws in slat box

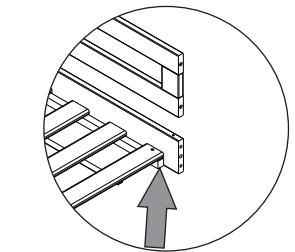


Make sure that the opening is on the right side as shown



Install Slat kit

● Screws in slat box



Always start assembling slat kit flush with cleat

Return to page 7 and follow the rest of the steps