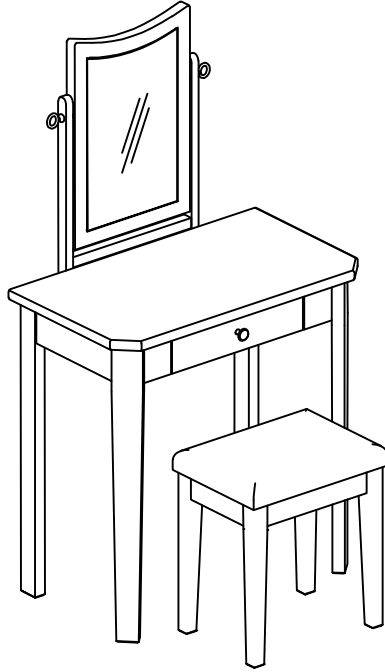
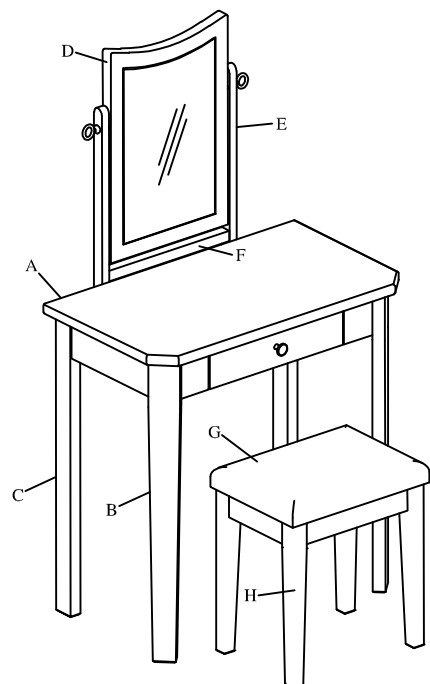


# JO JO VANITY SET






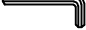
NO.	SKU	STYLE NO.	FINISH	ITEM DESCRIPTION
A.	38291124	1502	WHITE	1502 WHITE VANITY SET
B.	38191122	1503	GRAY	1503 GRAY VANITY SET
C.	38391126	1504	PINK	1504 PINK VANITY SET

PARTS LIST			
NO.	ITEM DESCRIPTION	IMAGE	QTY
A	Table Top		1PC
B	Table Leg (Front)		2PCS
C	Table Leg L&R (Back)		2PCS
D	Mirror		1PC
E	Mirror Post		2PCS
F	Cross Bar		1PC
G	Cushion Seat		1PC
H	Chair Leg		4PCS




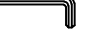


DO NOT USE SUBSTITUTE PARTS. PLEASE CONTACT YOUR RETAIL STORE OR [WWW.ROOMSTOGO.COM](http://WWW.ROOMSTOGO.COM) WITH SERVICE OR PARTS REPLACEMENT REQUEST








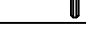

**CHAIR HARDWARE LIST**

NO.	ITEM DESCRIPTION	IMAGE	QTY
1	Allen Bolt Ø1/4"*20*50mm		8pcs
2	Lock Washer Ø1/4"		8pcs
3	Flat Washer Ø1/4*19mm		8pcs
4	Allen Wrench 4mm		1PC

**TABLE HARDWARE LIST**

NO.	ITEM DESCRIPTION	IMAGE	QTY
5	Allen Bolt Ø5/16"*18*60mm		8pcs
6	Lock Washer Ø5/16"		8pcs
7	Flat Washer Ø5/16"*19mm		8pcs
8	Allen Wrench 4mm		1PC

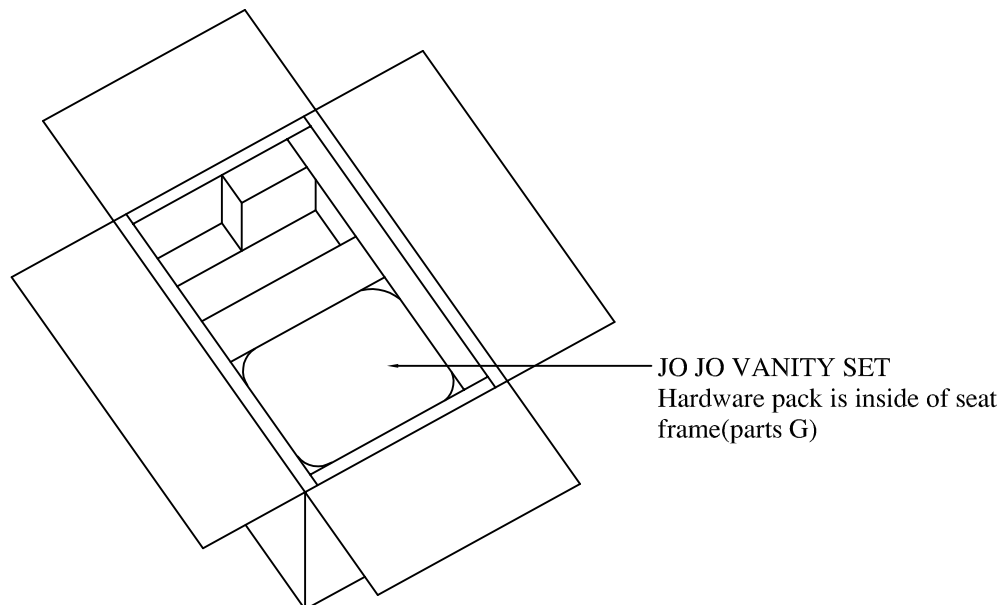
**MIRROR HARDWARE LIST**

NO.	ITEM DESCRIPTION	IMAGE	QTY
9	Allen Bolt Ø1/4"*20*50mm		4pcs
10	Lock Washer Ø1/4"		4pcs
11	Flat Washer Ø1/4"*19mm		4pcs
12	Cylinder		2pcs
13	Threaded Rod		2pcs
14	Washer Ø18*3		2pcs
15	Washer Ø18*6		2pcs
16	Allen Wrench 4mm		1PC
17	Screw #4*30mm		2PCS

\*\* SCREWDRIVER(NOT PROVIDED) 

**Hardware Pack Locations:**

NO.	SKU	STYLE NO.	FINISH	ITEM DESCRIPTION
A.	38291124	1502	WHITE	1502 WHITE VANITY SET
B.	38191122	1503	GRAY	1503 GRAY VANITY SET
C.	38391126	1504	PINK	1504 PINK VANITY SET

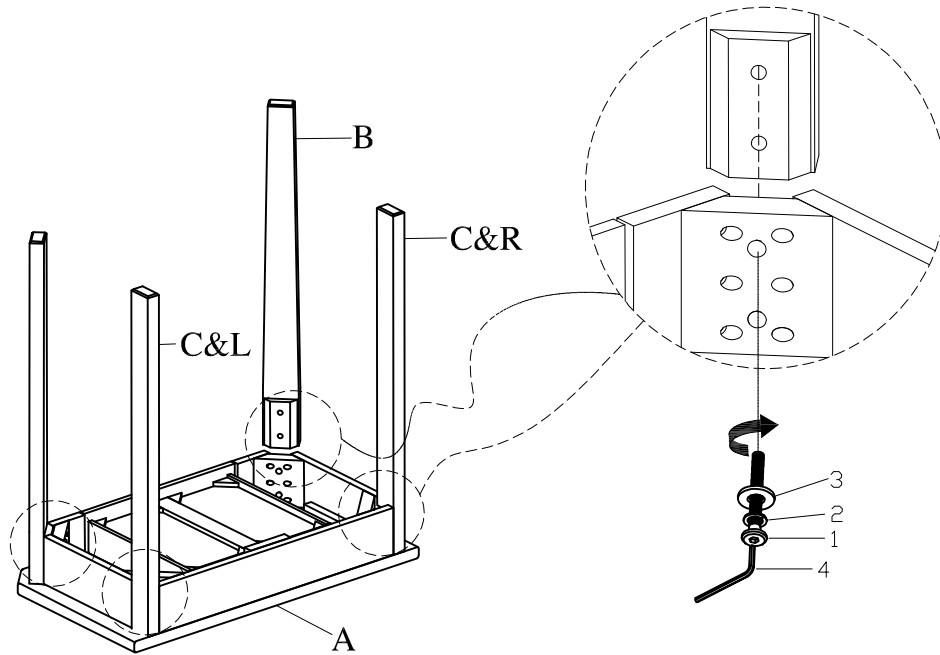


DO NOT USE SUBSTITUTE PARTS. PLEASE CONTACT YOUR RETAIL STORE OR WWW.ROOMSTOGO.COM WITH SERVICE OR PARTS REPLACEMENT REQUEST

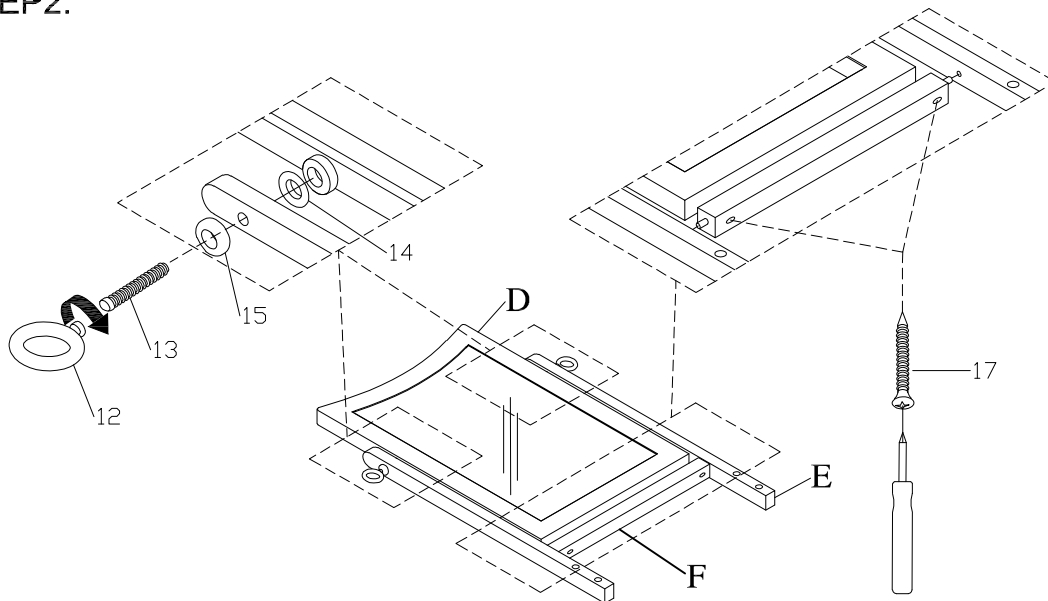
Thank you for purchasing this quality product. Be sure to check all packing material carefully for small parts which may have come loose inside the carton during shipment. Identify and count all parts and compare with the parts list. Read all instructions before assembling furniture and keep these instructions for future reference.

## Assembly Instructions:

### STEP 1:



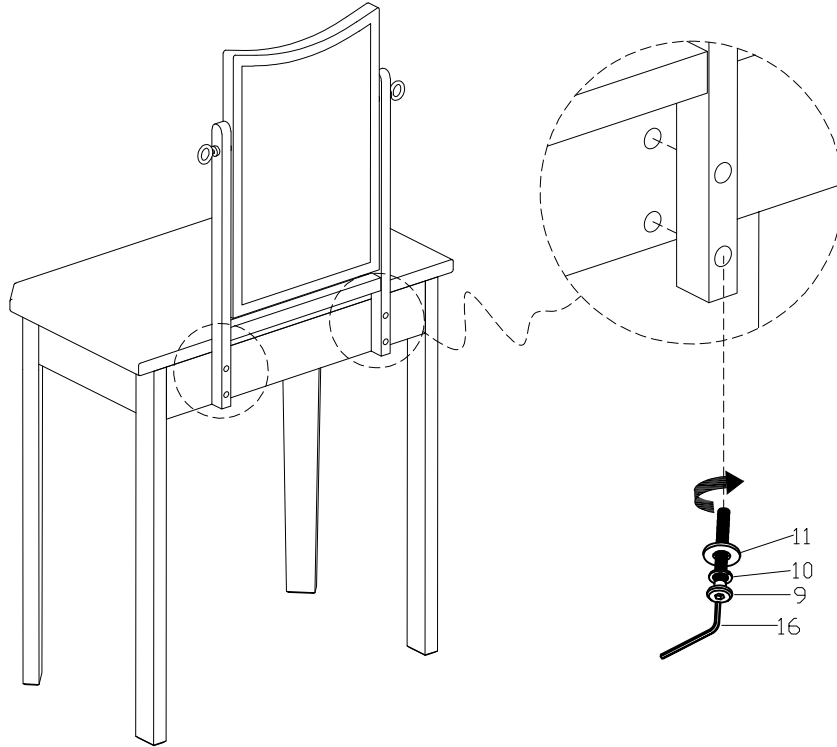
### STEP 2:



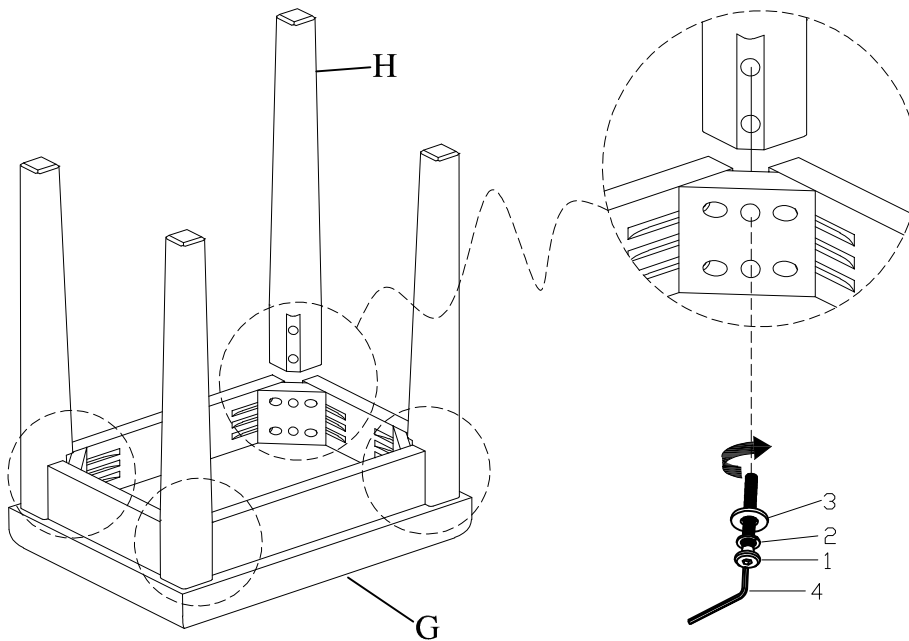
DO NOT USE SUBSTITUTE PARTS. PLEASE CONTACT YOUR RETAIL STORE OR [WWW.ROOMSTOGO.COM](http://WWW.ROOMSTOGO.COM) WITH SERVICE OR PARTS REPLACEMENT REQUEST

## Assembly Instructions:

### STEP3:

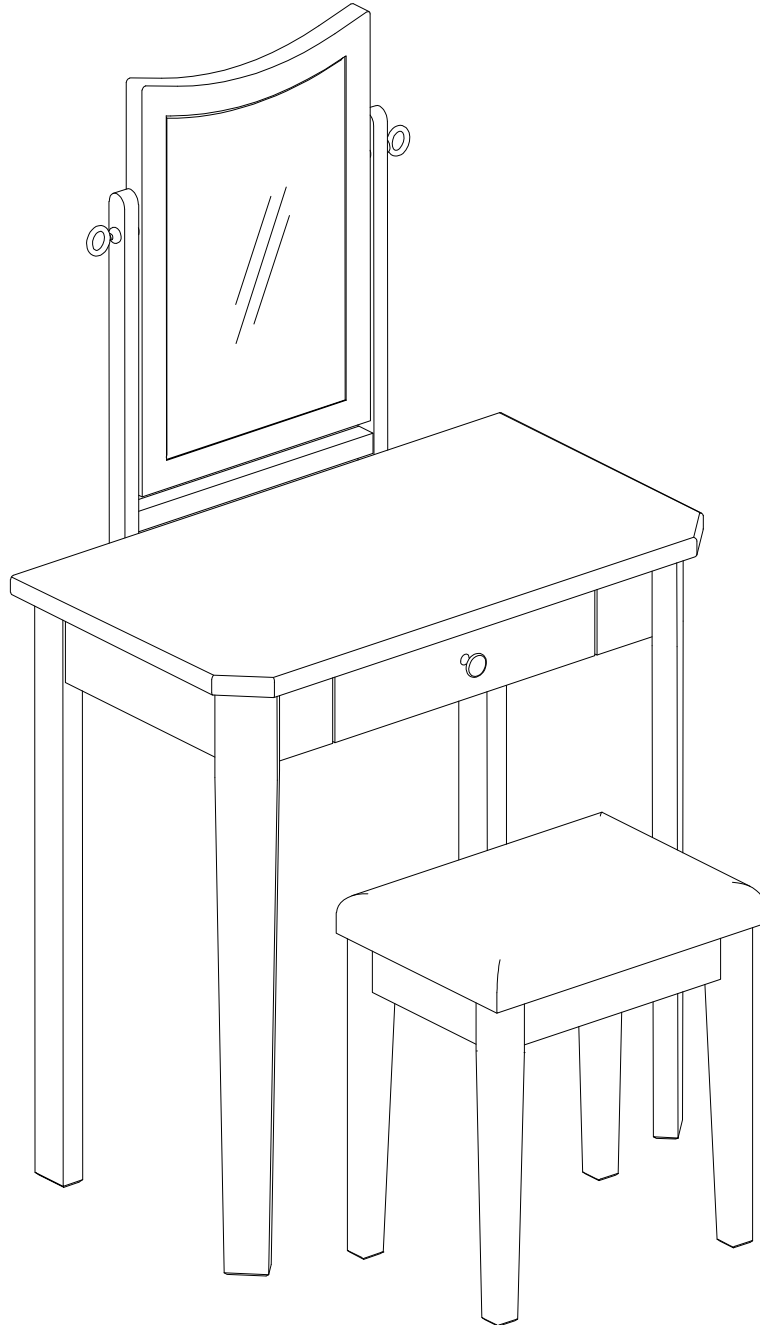


### STEP4:



DO NOT USE SUBSTITUTE PARTS. PLEASE CONTACT YOUR RETAIL STORE OR [WWW.ROOMSTOGO.COM](http://WWW.ROOMSTOGO.COM) WITH SERVICE OR PARTS REPLACEMENT REQUEST

## Assembly Instructions:



DO NOT USE SUBSTITUTE PARTS. PLEASE CONTACT YOUR RETAIL STORE OR [WWW.ROOMSTOGO.COM](http://WWW.ROOMSTOGO.COM)  
WITH SERVICE OR PARTS REPLACEMENT REQUEST