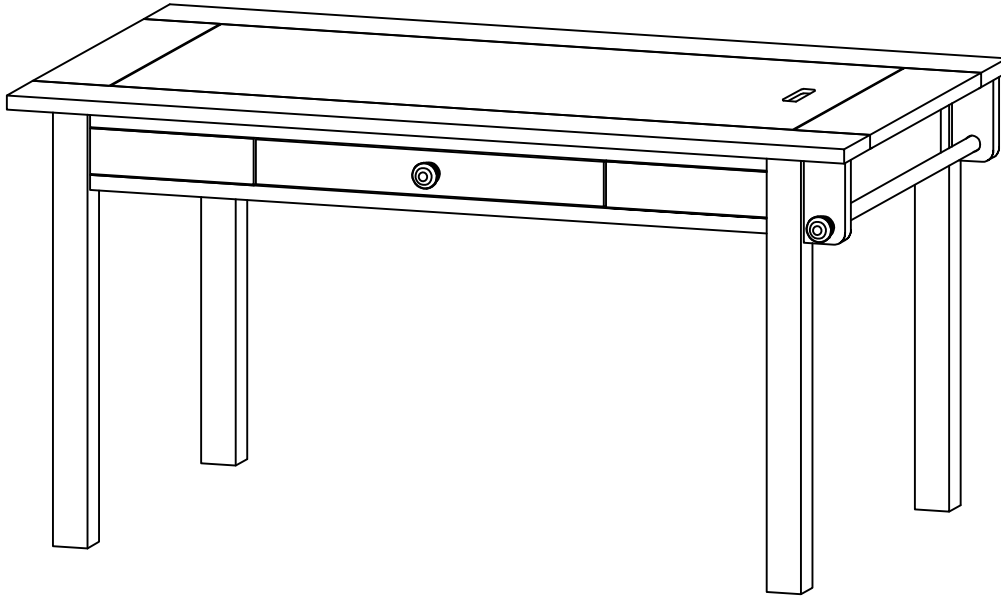

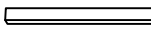



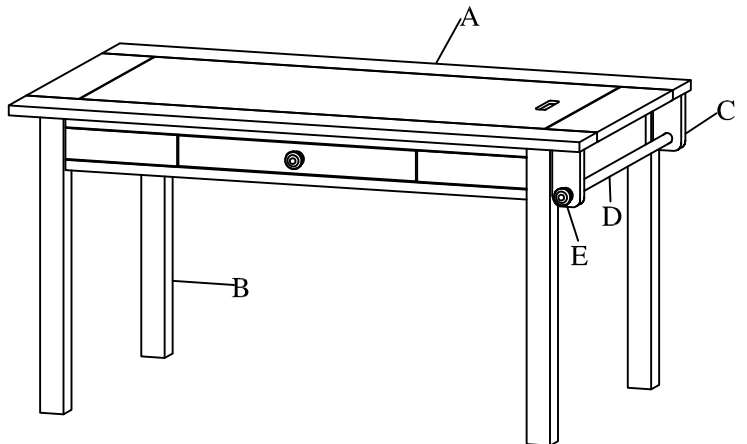


JO JO CREATIVITY TABLE







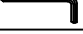

NO.	SKU	STYLE NO.	FINISH	ITEM DESCRIPTION
A.	39691111	9697-2G	GRAY	9697-2G GRAY CREATIVITY TABLE
B.	39791113	9697-2W	WHITE	9697-2W WHITE CREATIVITY TABLE
C.	39891115	9697-2C	CHARCOAL	9697-2C CHARCOAL CREATIVITY TABLE

PARTS LIST			
NO.	ITEM DESCRIPTION	IMAGE	QTY
A	Top panel		1PC
B	Leg		4PCS
C	Wooden block		2PCS
D	Round stretcher		1PC
E	Knob		2PCS



DO NOT USE SUBSTITUTE PARTS. PLEASE CONTACT YOUR RETAIL STORE OR WWW.ROOMSTOGO.COM WITH SERVICE OR PARTS REPLACEMENT REQUEST

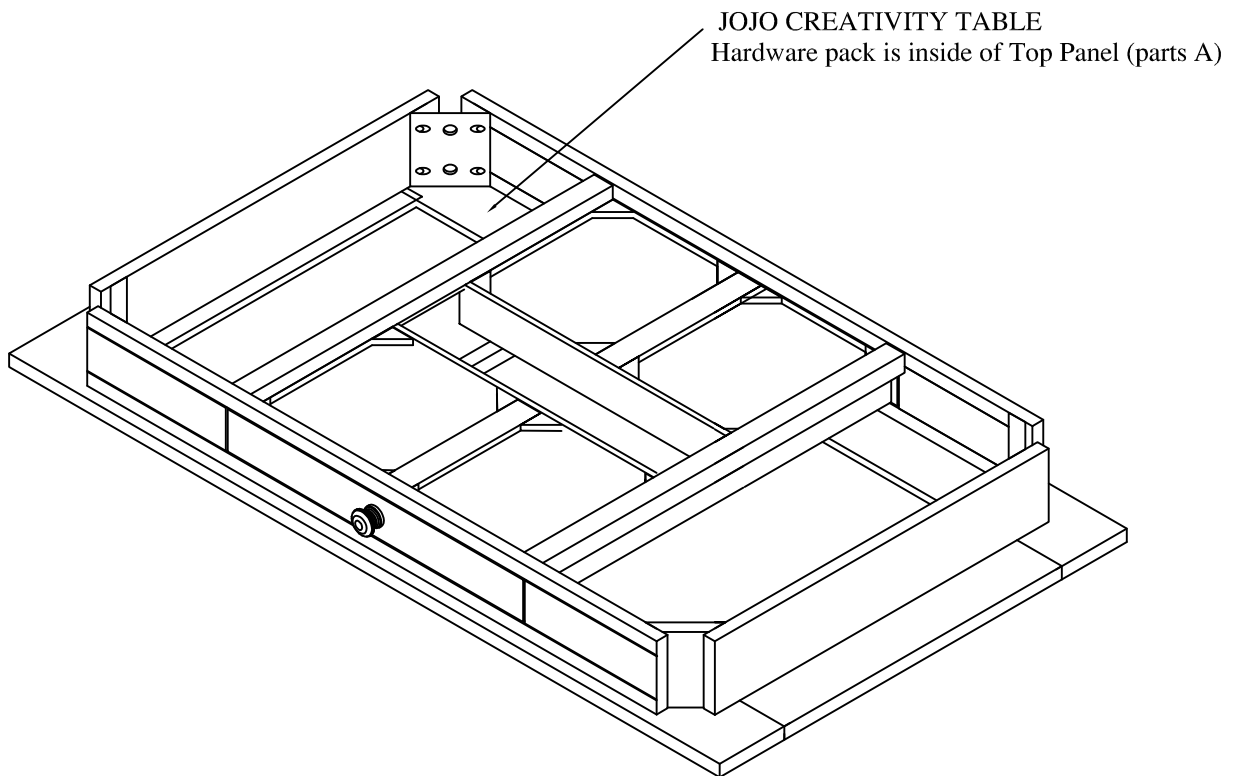
CREATIVITY TABLE HARDWARE LIST

NO.	ITEM DESCRIPTION	IMAGE	QTY
1	Allen Bolt Ø1/4"*20*15mm		8pcs
2	Allen Bolt Ø5/16"*18*60mm		8pcs
3	Lock Washer Ø5/16"		8pcs
4	Flat Washer Ø5/16*19mm		8pcs
5	Allen Wrench 4mm		1pc
6	Bracket		2pcs

** SCREWDRIVER(NOT PROVIDED) 

Hardware Pack Locations:

NO.	SKU	STYLE NO.	FINISH	ITEM DESCRIPTION
A.	39691111	9697-2G	GRAY	9697-2G GRAY CREATIVITY TABLE
B.	39791113	9697-2W	WHITE	9697-2W WHITE CREATIVITY TABLE
C.	39891115	9697-2C	CHARCOAL	9697-2C CHARCOAL CREATIVITY TABLE

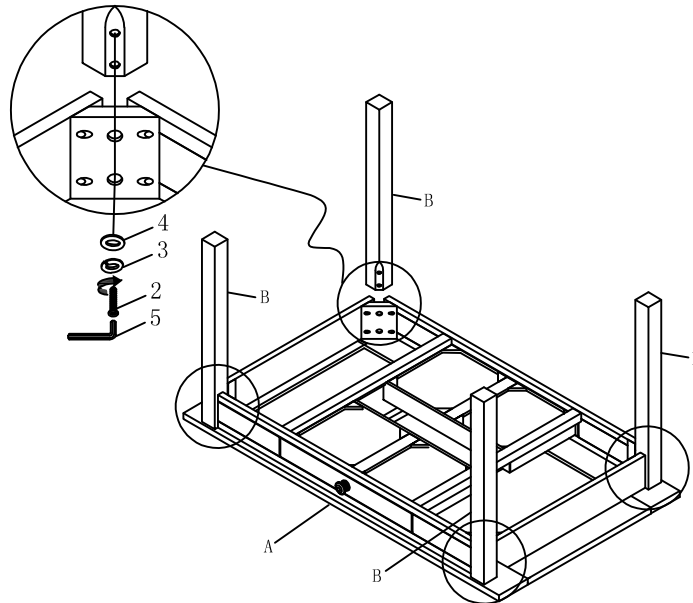


DO NOT USE SUBSTITUTE PARTS. PLEASE CONTACT YOUR RETAIL STORE OR WWW.ROOMSTOGO.COM WITH SERVICE OR PARTS REPLACEMENT REQUEST

Thank you for purchasing this quality product. Be sure to check all packing material carefully for small parts which may have come loose inside the carton during shipment. Identify and count all parts and compare with the parts list. Read all instructions before assembling furniture and keep these instructions for future reference.

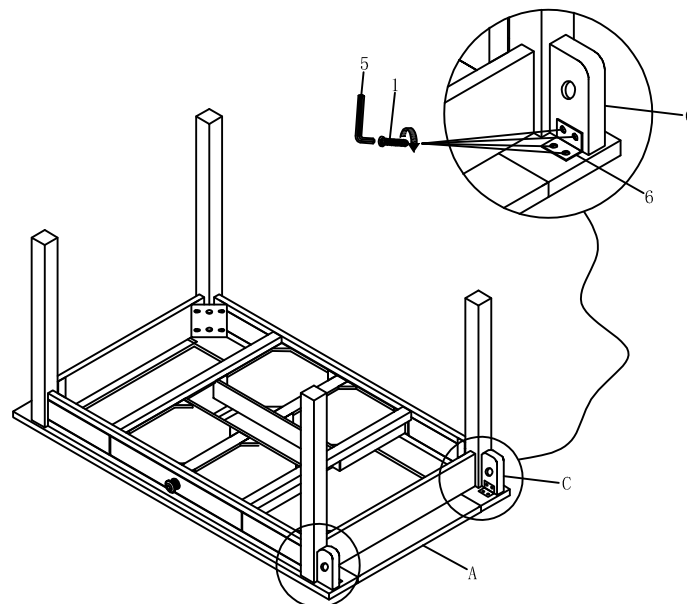
Assembly Instructions:

STEP1:



Attach leg (B) to top panel(A) .Tighten by allen bolt (2), lock washer (3) and flat washer (4) with allen wrench (5).

STEP2:

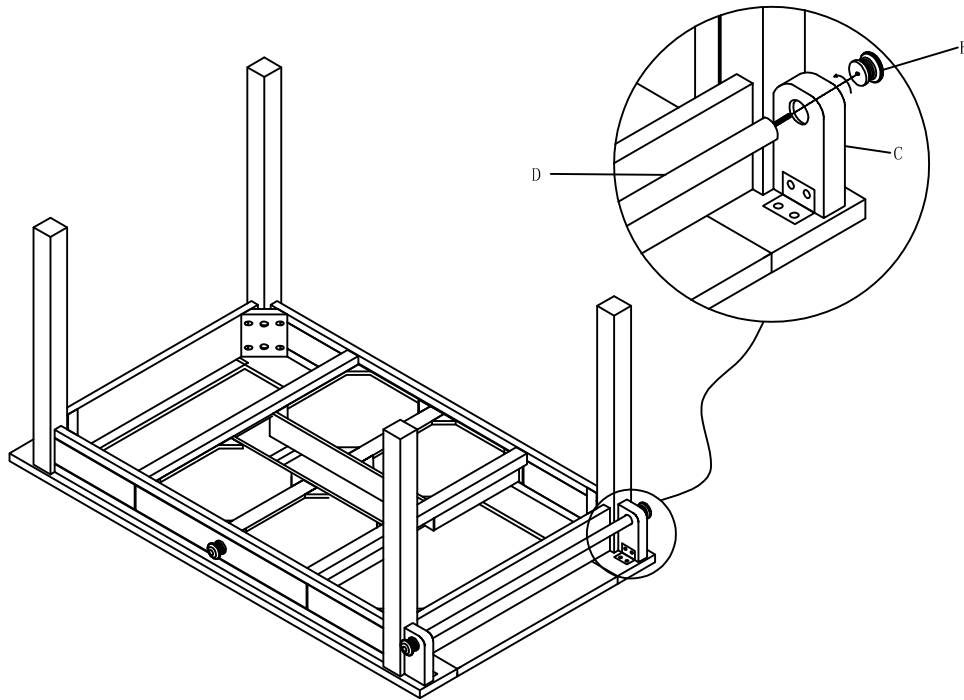


Attach wooden block (C) to top panel(A) .Tighten by allen bolt (1), bracket (6), with allen wrench (5).

DO NOT USE SUBSTITUTE PARTS. PLEASE CONTACT YOUR RETAIL STORE OR WWW.ROOMSTOGO.COM WITH SERVICE OR PARTS REPLACEMENT REQUEST

Assembly Instructions:

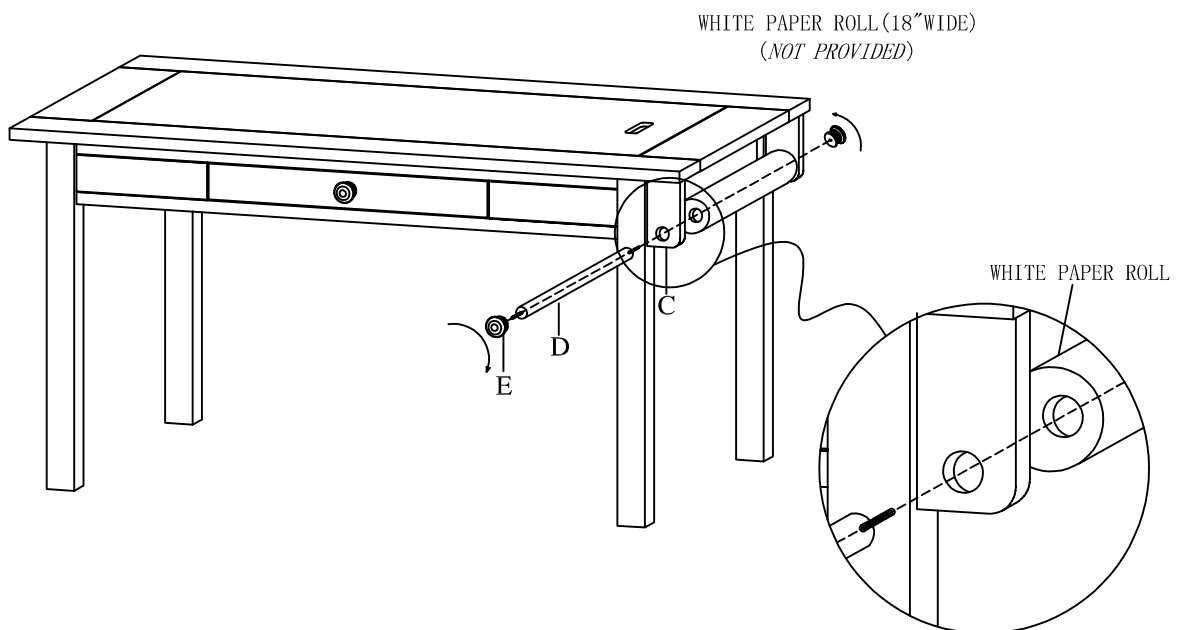
STEP3:



Attach round stretcher (D) to wooden block (C) .Tighten by knob (E).

STEP4.

(Additional steps with the paper roll)



Attach round stretcher (D) to wooden block (C) and white paper roll .Tighten by knob (E).

DO NOT USE SUBSTITUTE PARTS. PLEASE CONTACT YOUR RETAIL STORE OR WWW.ROOMSTOGO.COM
WITH SERVICE OR PARTS REPLACEMENT REQUEST