

ROOMS TO GO  
**KIDS**  
Manufactured for Rooms to Go

# CREEKSIDE 2.0 COLLECTION

THANK YOU FOR YOUR PURCHASE



**WARNING DANGER**

Failure to follow these warnings and assembly instructions could result in serious injury or death. To help prevent serious or fatal injuries from entrapment or falls:

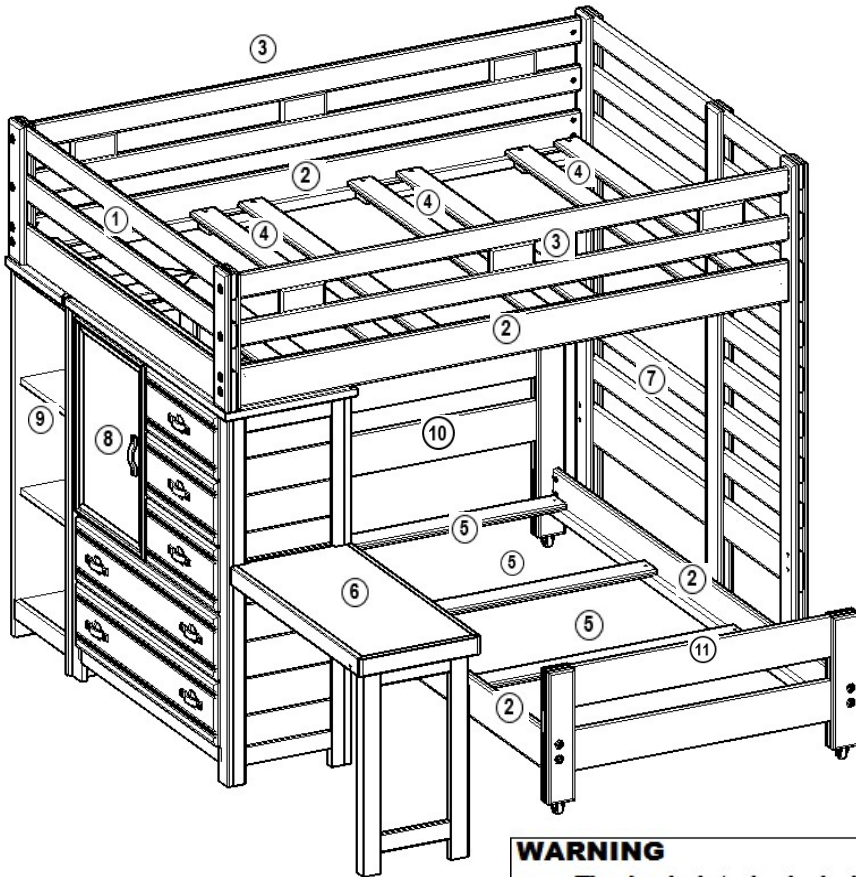
- Read all instructions before assembling bunk bed and keep these instructions for future reference.
- Before each usage or assembly, inspect bunk bed for damaged hardware, loose joints, missing parts, or sharp edges. DO NOT Use bunk bed if any parts are missing or broken.
- DO NOT Use substitute parts. Contact your local Rooms To Go or visit [www.ROOMSTOGO.COM](http://www.ROOMSTOGO.COM) for replacement parts and instructional literature if needed.
- Follow the information on the warnings appearing on the upper bunk end structure and on the carton, DO NOT REMOVE WARNING LABEL FROM BED.
- Always use the recommended size mattress or mattress supports, or both to help prevent the likelihood of entrapment or falls.
- Ensure thickness of mattress and foundation combine does not exceed **10 inches (255mm)** and mattress surface is at least **5 inches (127mm)** below upper edge of guardrails.
- Do not allow children under 6 years of age to use the upper bunk.
- Periodically check and ensure that the guardrail, ladder, and other components are in their proper position, free from damage, and that all connectors are tight.
- Do not allow horseplay on or under the bed and prohibit jumping on the bed.
- Limit top bunk use to one person.
- Always use the ladder for entering and leaving the upper bunk.
- Use of night light may provide added safety precaution for a child using the upper bunk.
- Always use guardrails on both long sides of the upper bunk. If the bunk bed will be placed next to the wall, the guardrail that runs the full length of the bed should be placed against the wall to prevent entrapment between the bed and wall.
- The use of water or sleep flotation mattress is prohibited.
- This bunk bed meets all the requirements of ASTM 1427-19.



**STRANGULATION HAZARD:**

Never attach or hang items to any part of the bunk bed that are not designed for use with the bed; for example, but not limited to, hooks, belts, and jump ropes.

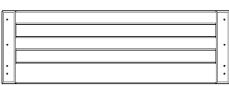
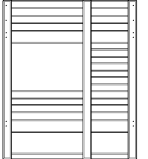

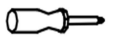

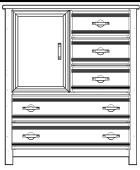

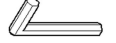

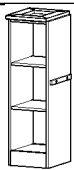
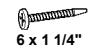

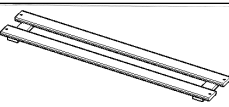
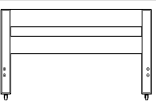
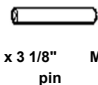

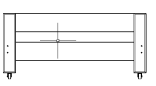

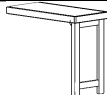
# PARTS LIST



389440P FULL/TWIN LOFT W/CHEST & BOOKCASE CHARCOAL		
RTG SKU #	STYLE #	ITEM DESCRIPTION
35640401	40G-704	1 PC BUNKBED END FULL
35940407	40G-703	FULL TOP BUNKBED END
36640402	40G-730	4 SIDE RLS/2 GUARD RLS
36840406	40G-707	TWIN BOTTOM HD/FT
36040400	40G-711	5 DRW. LOFT CHEST
36340406	40G-760	LOFT BOOKSHELF
38000232	100-645	TWIN SLAT PACK (4)
38300238	100-648	FULL/FULL SLAT PACK
36240404	40G-601	FOLDING DESK (Add on)

389441P FULL/TWIN LOFT W/CHEST & BOOKCASE CHESTNUT		
RTG SKU #	STYLE #	ITEM DESCRIPTION
35640413	40B-704	1 PC BUNKBED END FULL
35940419	40B-703	FULL TOP BUNKBED END
36640414	40B-730	4 SIDE RLS/2 GUARD RLS
36840418	40B-707	TWIN BOTTOM HD/FT
36040412	40B-711	5 DRW. LOFT CHEST
36340418	40B-760	LOFT BOOKSHELF
38000232	100-645	TWIN SLAT PACK (4)
38300238	100-648	FULL/FULL SLAT PACK
36240416	40B-601	FOLDING DESK (Add on)

**WARNING**  
The bed slats included with this bed will not support a mattress alone, this bed requires Bunkie boards (sold separately)

PARTS LIST	QTY	PARTS LIST	QTY	HARDWARE LIST	QTY	TOOLS NEEDED
 Full top bunk bed end	1 Pc	 Full bunkbed end	1 Pc	<b>A</b>  5/16"-18 x 3 3/8" Bolt	24 Pcs	Phillips screwdriver (not included) 
 Side rails	4 Pc	 5 Drw Loft chest	1 Pc	<b>B</b>  5 mm Hex key	1 Pc	Allen wrench (included) 
 Guardrails	2 Pc	 Loft Bookshelf	1 Pc	<b>C</b>  6 x 1 1/4" Drywall screw	16 Pcs	FOLDING DESK HARDWARE <b>C</b>  6 x 1 1/4" Drywall screw
 Full slats	4 Pc	 Headboard	1 Pc	<b>D</b>  3/8" x 3 1/8" Metal pin	2 Pcs	
 Twin slats	4 Pc	 Footboard	1 Pc	<b>E</b>  Casters	4 Pcs	
 Folding desk (Add on)	1 Pc			<b>TWO PEOPLE ARE NEEDED TO ASSEMBLE DO NOT TIGHTEN COMPLETELY UNTIL ALL PIECES ARE CONNECTED TOGETHER</b>		

# ASSEMBLY INSTRUCTIONS

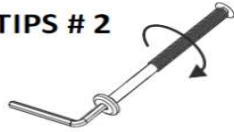
TIPS : SEE ILLUSTRATION BELOW

- 1- Use the long end of the allen wrench to fasten bolts loosely and quickly.
- 2- Use the short end of the allen wrench for final tightening

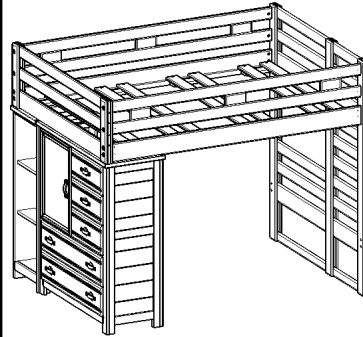
TIPS # 1



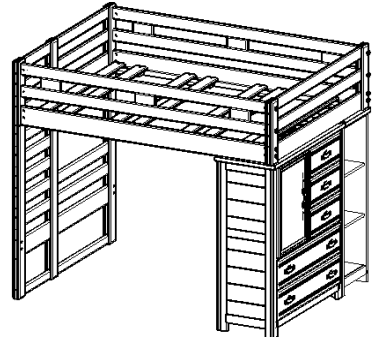
TIPS # 2



FIRST DETERMINE THE CONFIGURATION THAT FITS YOUR ROOM

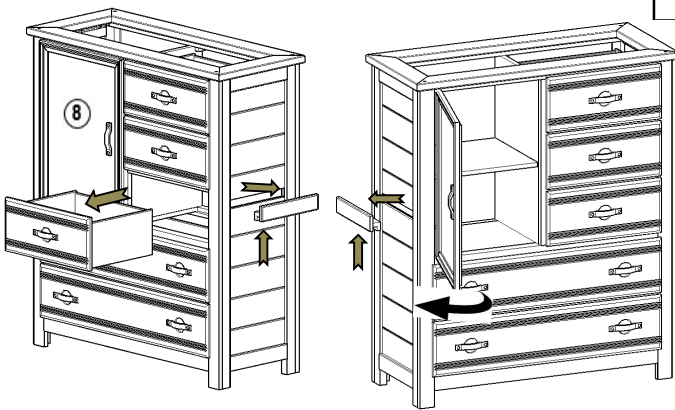


CASES ON THE LEFT



CASES ON THE RIGHT

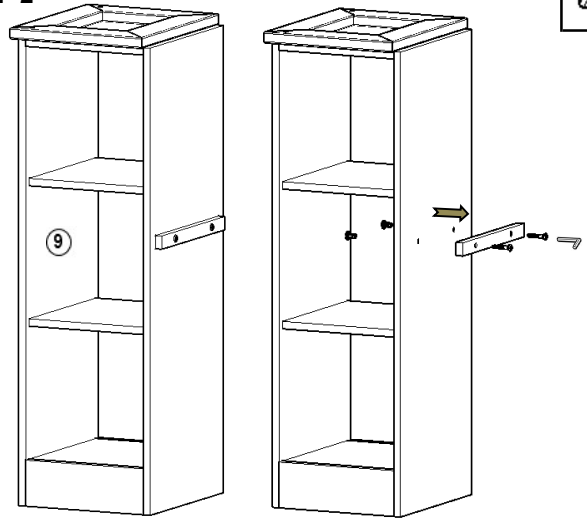
STEP 1



CASES ON THE RIGHT

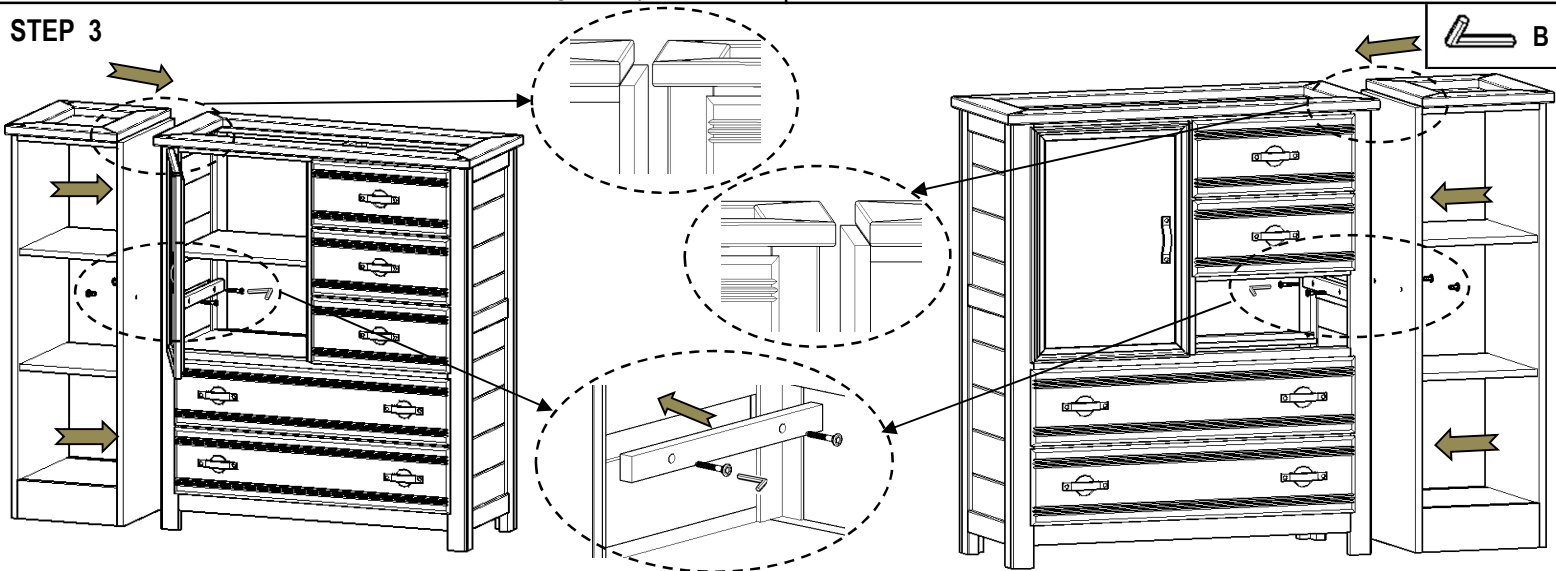
CASES ON THE LEFT

STEP 2



Remove fastening board and save for next step.

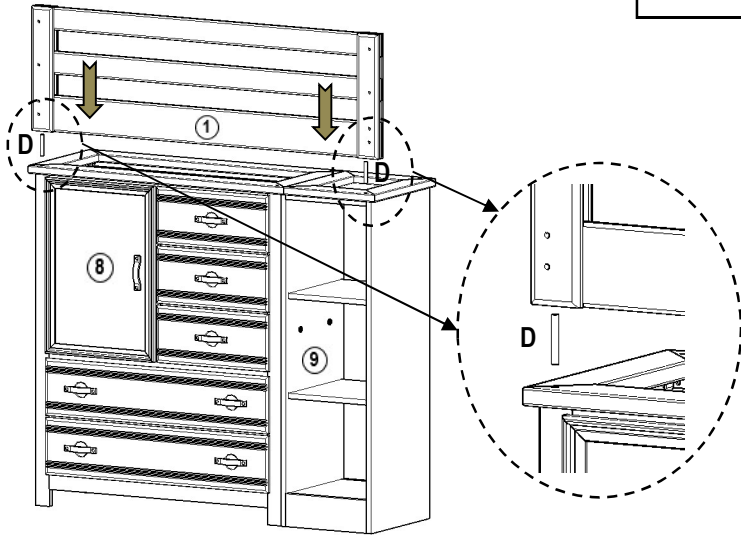
STEP 3



Assemble bookshelf and chest, using the fastening board and bolts previously removed, align both pieces and tight completely as shown.

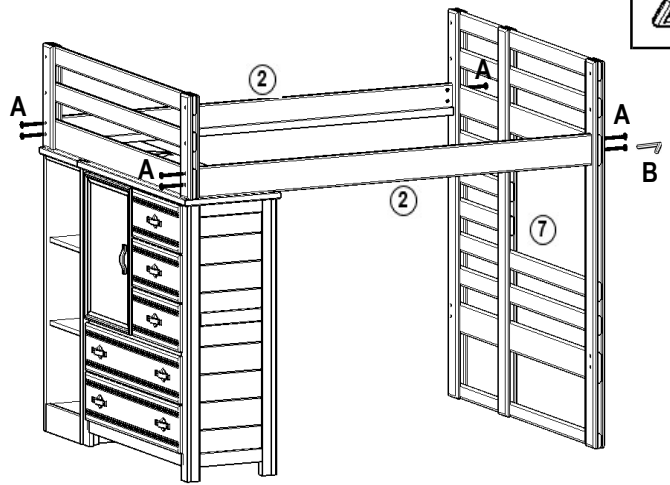
# ASSEMBLY INSTRUCTIONS

## STEP 4



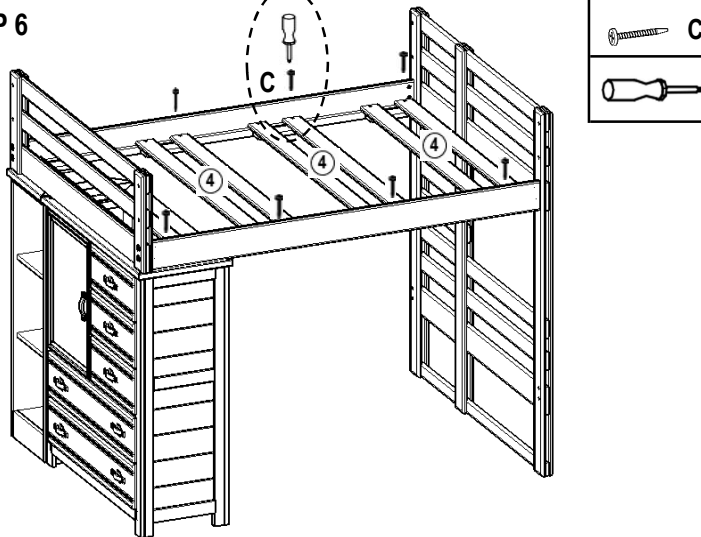
Assemble loft chest, left bookshelf and top bunk bed end.

## STEP 5



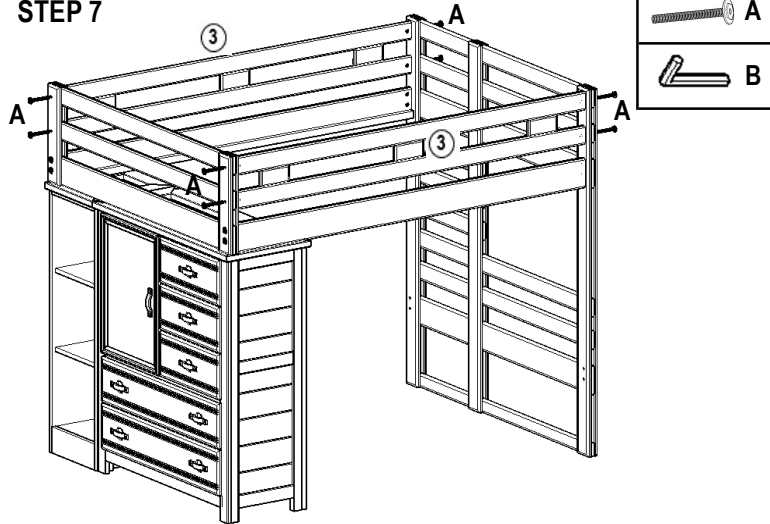
Assemble top side rails.

## STEP 6



Install slats, one on each end, two equally spaced in the middle, then fasten with 1 1/4" screws.

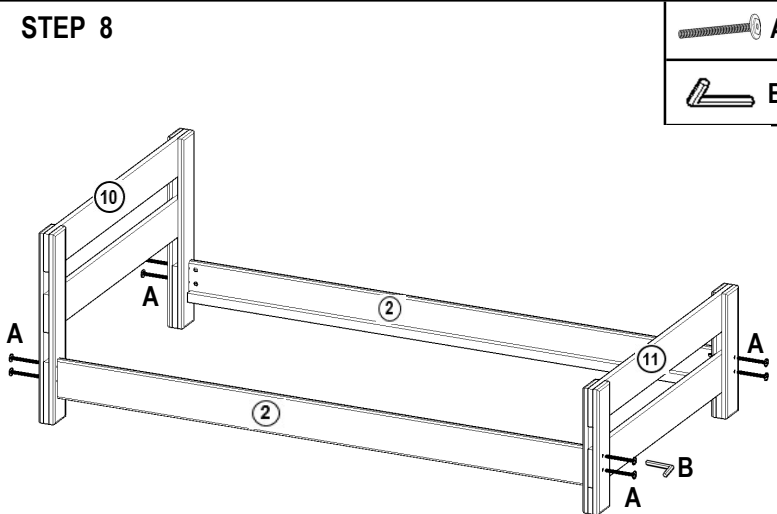
## STEP 7



Assemble guardrails and tighten all bolts.

**MAKE SURE ALL BOLTS ARE TIGHTENED COMPLETELY**

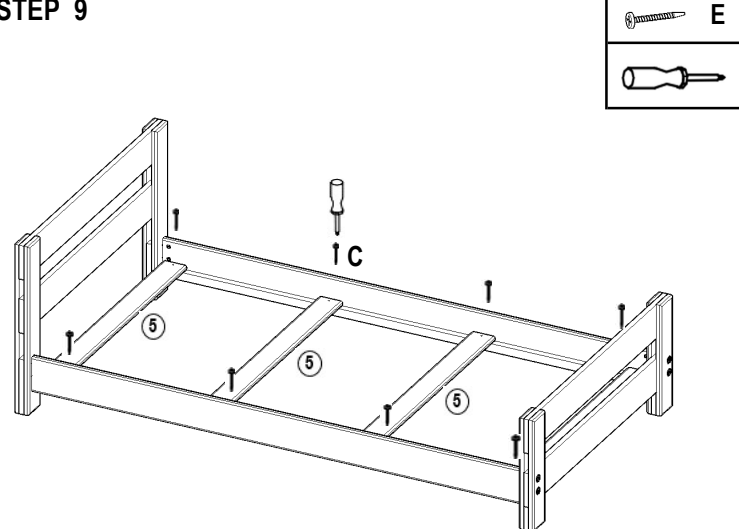
## STEP 8



Assemble side rails

**MAKE SURE ALL BOLTS ARE TIGHTENED COMPLETELY**

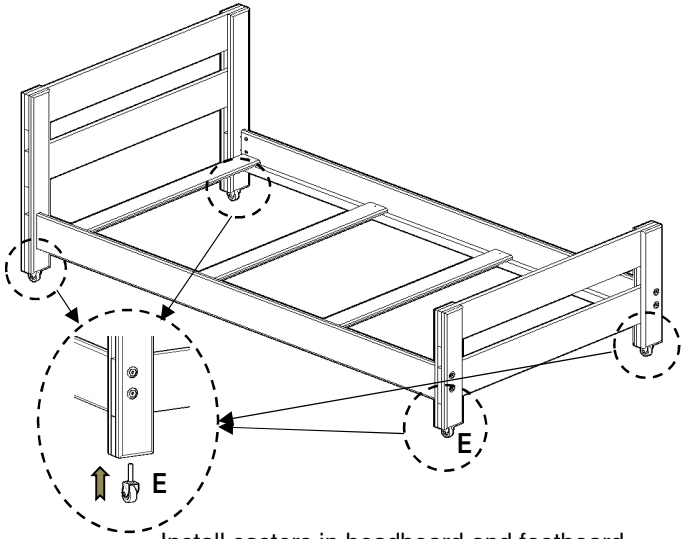
## STEP 9



Install slats, one on each end and two equally spaced in the middle, then fasten with 1 1/4" screws

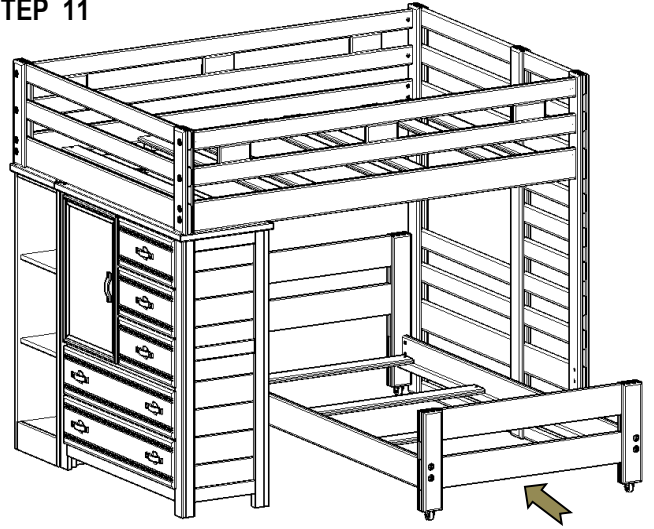
# ASSEMBLY INSTRUCTIONS

## STEP 10



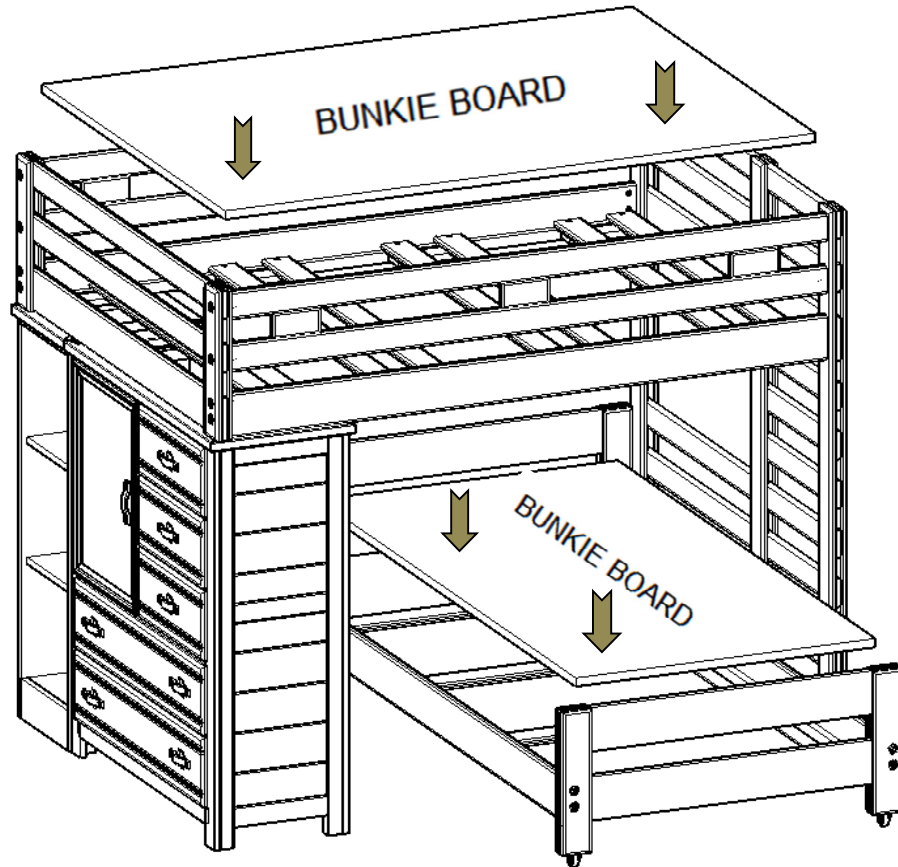
Install casters in headboard and footboard.

## STEP 11



Slide Caster bed under Loft bed as shown.

## STEP 12



**Place Bunkie boards (required, sold separately) on top of the slats**

**Use only correct mattress dimensions and Bunkie board:**

Twin size mattress- 74" - 75" long and 37-1/2" - 38-1/2" wide

Twin size Bunkie board- 74" long and 37-1/2" wide

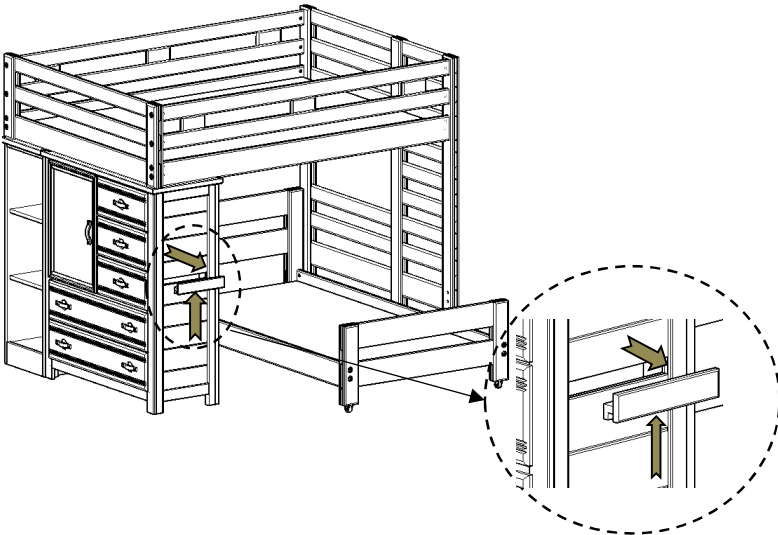
Full size mattress- 74" - 75" long and 52-1/2" - 53-1/2" wide

Full size Bunkie board- 74" long and 52-1/2" wide

PLEASE CONTACT YOUR RETAIL STORE WITH SERVICE OR PARTS REPLACEMENT REQUEST

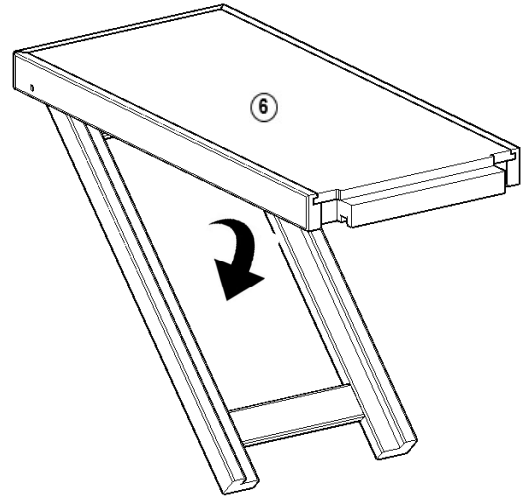
# ASSEMBLY INSTRUCTIONS

## STEP 10



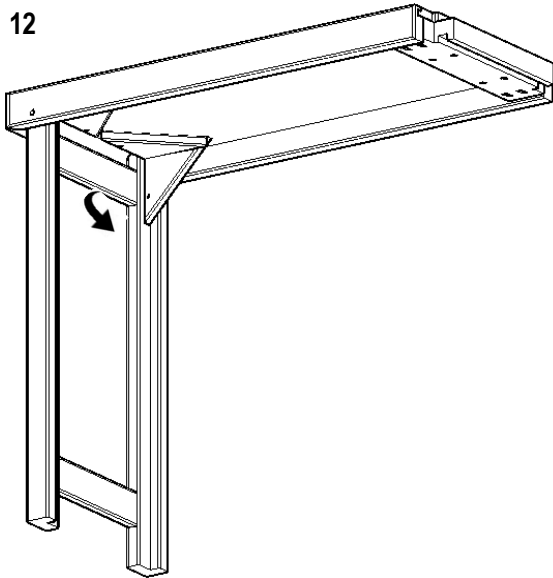
Remove center molding by lifting up then pulling out

## STEP 11



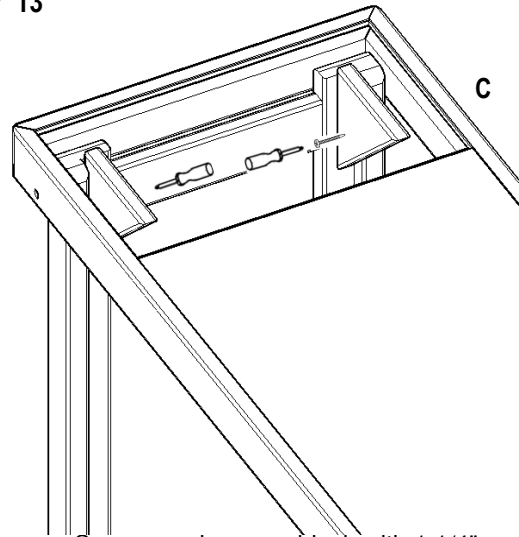
Unfold desk leg and look for hardware pack inside desk box.

## STEP 12



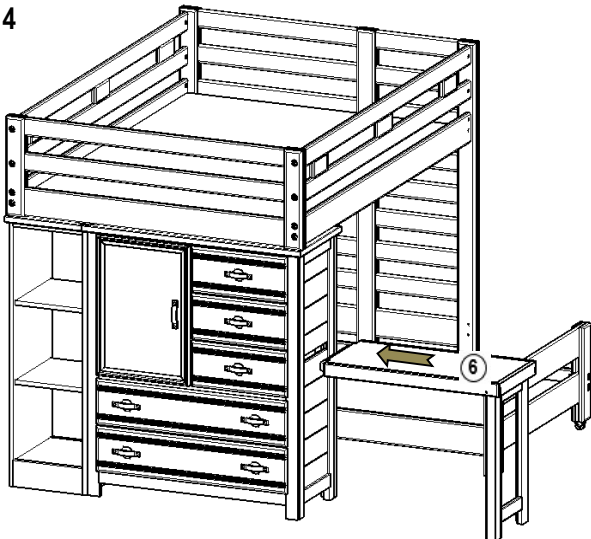
Unfold corner supports

## STEP 13



Secure each corner block with 1 1/4" screw (from desk box hardware pack) in the pre-bore hole.

## STEP 14



Place folding desk by sliding into the opening of loft chest then push down

