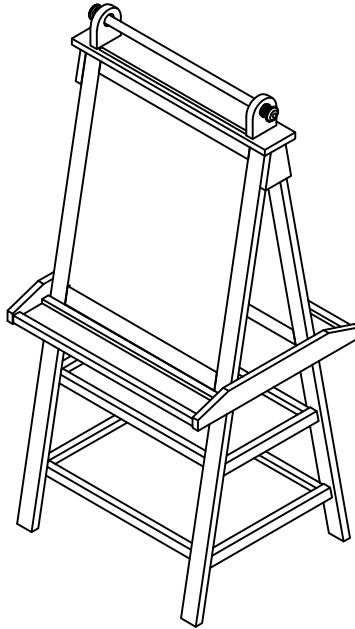
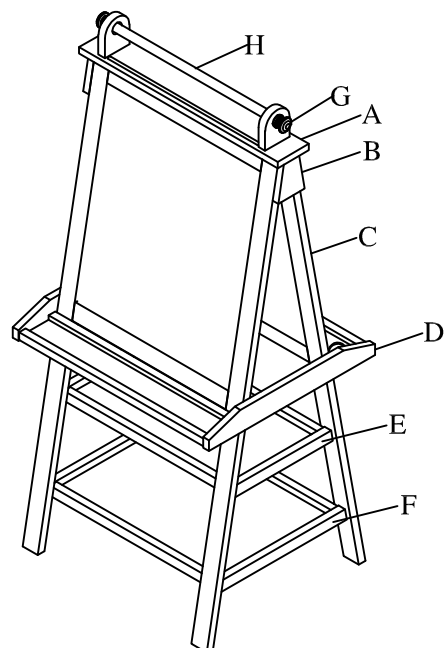


JO JO EASEL

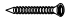



NO.	SKU	STYLE NO.	FINISH	ITEM DESCRIPTION
A.	38791124	9697-4G	GRAY	9697-4G GRAY EASEL
B.	38891126	9697-4W	WHITE	9697-4W WHITE EASEL
C.	38991128	9697-4C	CHARCOAL	9697-4C CHARCOAL EASEL

PARTS LIST			
NO.	ITEM DESCRIPTION	IMAGE	QTY
A	Top panel		1PC
B	Wooden block		2PCS
C	Side panel		1PC
D	Top Rack		1PC
E	Middle Rack		1PC
F	Bottom Rack		1PC
G	Knob		2PCS
H	Round stretcher		1PC



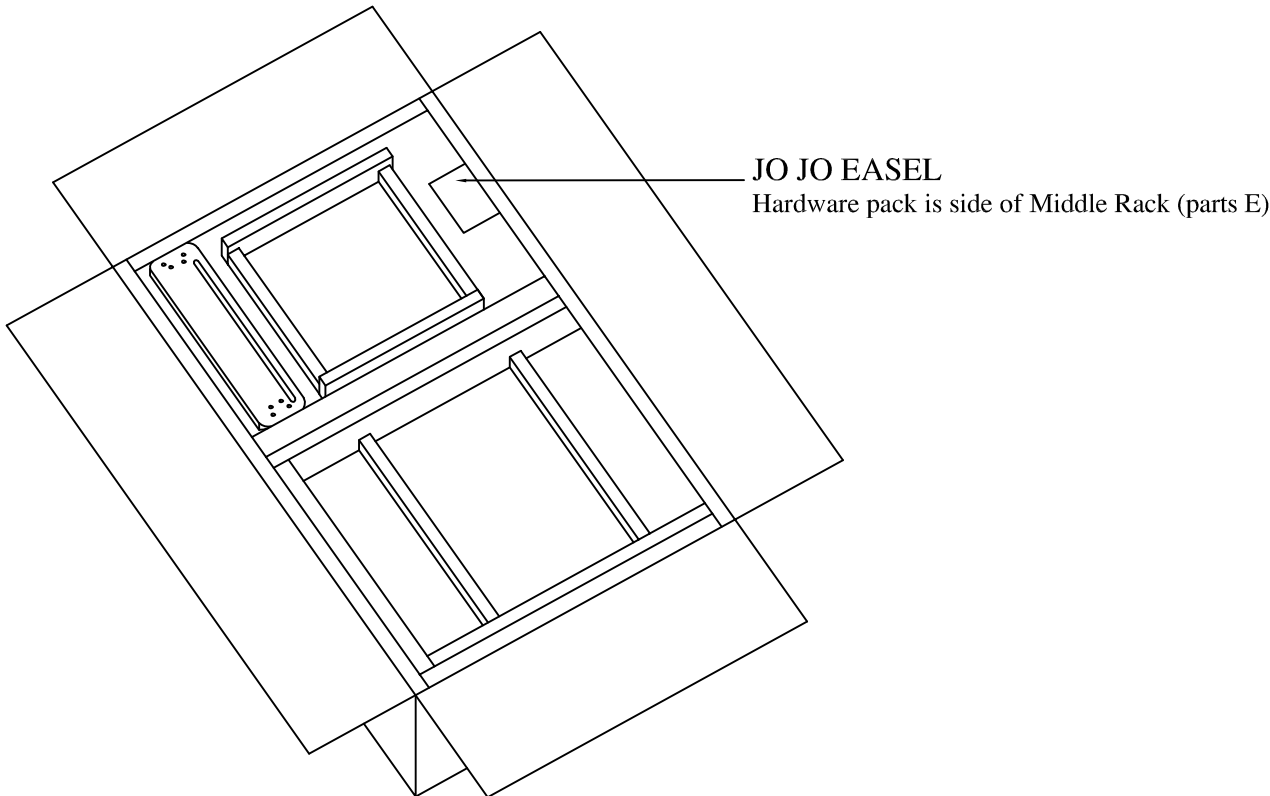
DO NOT USE SUBSTITUTE PARTS. PLEASE CONTACT YOUR RETAIL STORE OR WWW.ROOMSTOGO.COM WITH SERVICE OR PARTS REPLACEMENT REQUEST

EASEL HARDWARE LIST			
NO.	ITEM DESCRIPTION	IMAGE	QTY
1	Screw M5*40mm		20pcs
2	Allen Wrench 4mm		1pc

** SCREWDRIVER(NOT PROVIDED) 

Hardware Pack Locations:

NO.	SKU	STYLE NO.	FINISH	ITEM DESCRIPTION
A.	38791124	9697-4W	WHITE	9697-4G GRAY EASEL
B.	38891126	9697-4G	GRAY	9697-4W WHITE EASEL
C.	38991128	9697-4C	CHOCOLATE	9697-4C CHOCOLATE EASEL

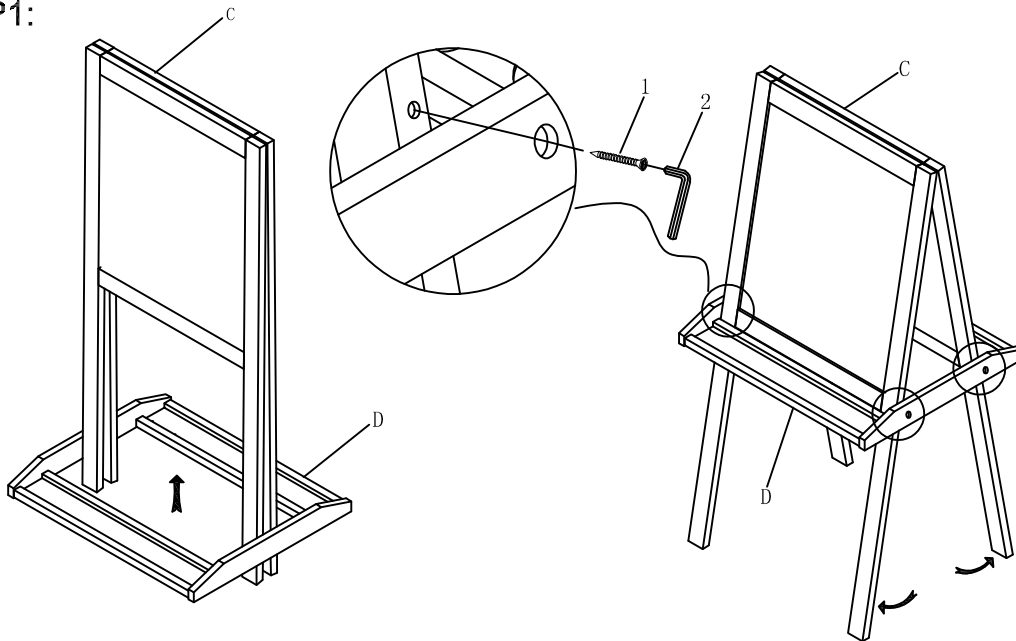


DO NOT USE SUBSTITUTE PARTS. PLEASE CONTACT YOUR RETAIL STORE OR WWW.ROOMSTOGO.COM WITH SERVICE OR PARTS REPLACEMENT REQUEST

Thank you for purchasing this quality product. Be sure to check all packing material carefully for small parts which may have come loose inside the carton during shipment. Identify and count all parts and compare with the parts list. Read all instructions before assembling furniture and keep these instructions for future reference.

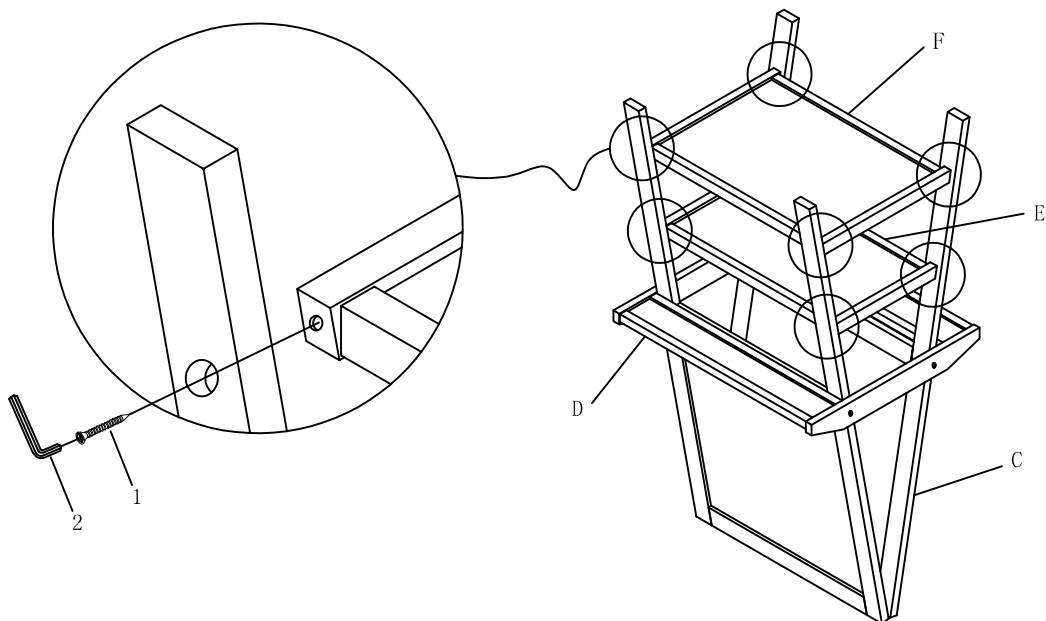
Assembly Instructions:

STEP1:



Attach side panel (C) to Top Rack (D) .Tighten by Screw (1), with allen wrench(2).

STEP2.

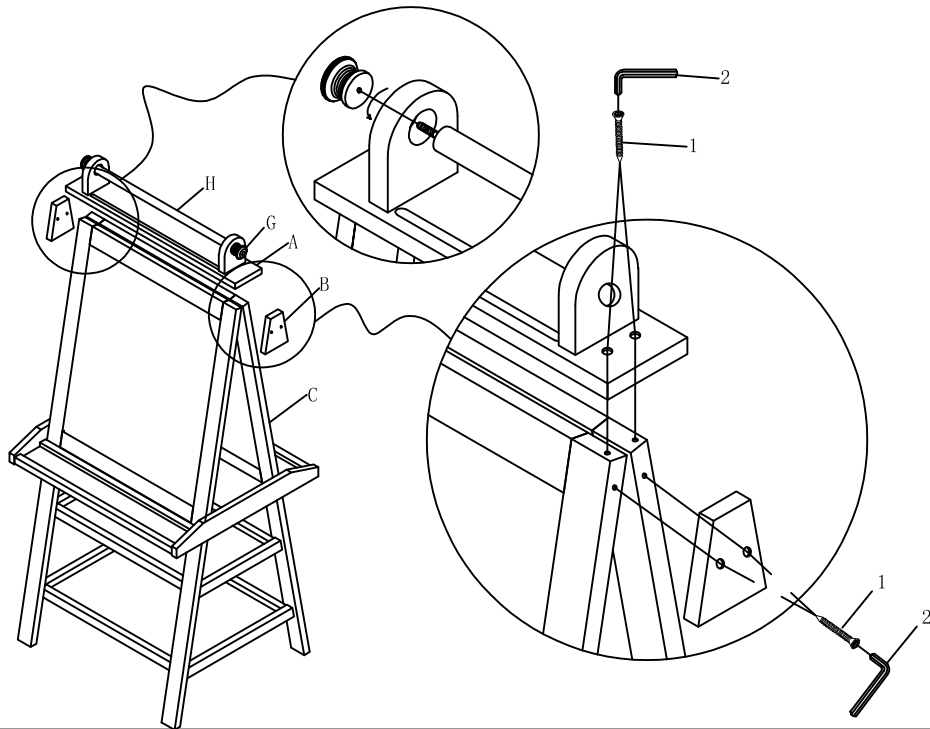


Attach middle rack (E) and bottom rack(F) to side panel (C) .Tighten by Screw (1), with allen wrench(2).

DO NOT USE SUBSTITUTE PARTS. PLEASE CONTACT YOUR RETAIL STORE OR WWW.ROOMSTOGO.COM
WITH SERVICE OR PARTS REPLACEMENT REQUEST

Assembly Instructions:

STEP3:

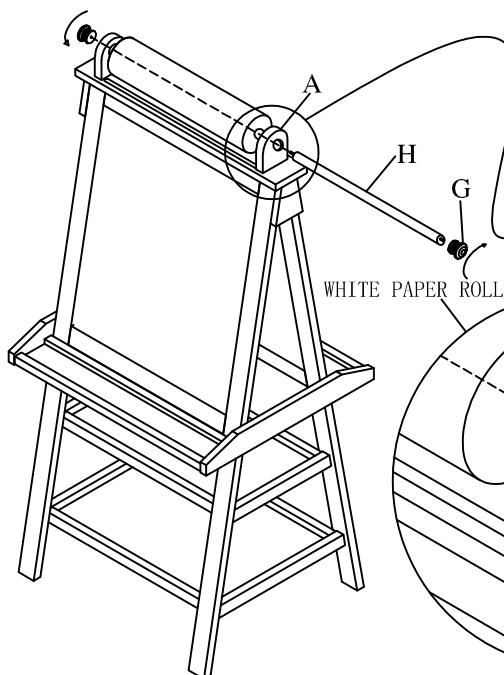


Attach wooden block (B) to side panel (C) .Tighten by Screw (1), with allen wrench(2).Then Attach top panel (A) to side panel (C) .Tighten by Screw (1), with allen wrench(2). Attach round stretcher (H) to top panel (A) .Tighten by knob (G).

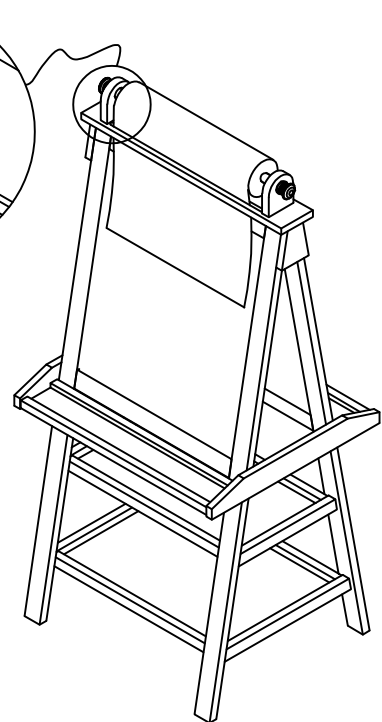
STEP4.

(Additional steps with the paper roll)

WHITE PAPER ROLL (18" WIDE)
(NOT PROVIDED)



STEP5.



Attach round stretcher (H) to top panel (A) and white paper roll .Tighten by knob (G). White paper pass through paper slot.

DO NOT USE SUBSTITUTE PARTS. PLEASE CONTACT YOUR RETAIL STORE OR WWW.ROOMSTOGO.COM WITH SERVICE OR PARTS REPLACEMENT REQUEST