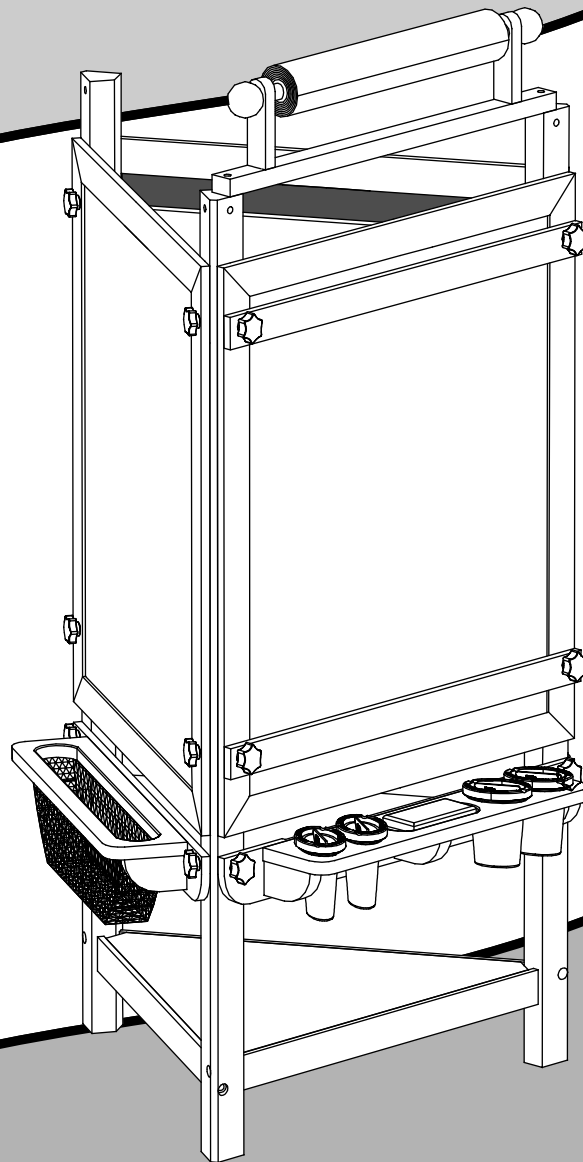


# TRI-SIDED EASEL



**Note:** Product may vary slightly from images shown.

**B**

## Important Information:

Before you begin assembly, please read these instructions. See next page for important warning statements on this product. After product is assembled make sure all bolts and screws are securely tightened.

### **WARNING:**

**CHOKING HAZARD – Small Parts. Not for children under 3 yrs.**

# A short message from Little Partners

Dear Friend,

Thank you for purchasing Learning Tower Learn and Share Easel. We pride ourselves in creating products that foster strong family bonds, while also encouraging, independence and creativity in your easel. We know you and your child will enjoy many fun and educational time as you work and play together.

Please visit our website [littlepartners.com](http://littlepartners.com). It is dedicated to sharing the JOY and WONDER of your easel. We invite you to send pictures and comments about your experiences with our product to

**CarolG@littlepartners.com**

Thank you for sharing with your friends the fun you and your child are having with Learning Tower Learn and Share Easel. Your satisfaction is our best advertising!

Sincerely,



Founder



## KEEP INSTRUCTIONS FOR FUTURE USE



NEVER use this product if there are any loose or missing fasteners, loose joints or broken parts. Check after assembly and periodically during use at least once a week



READ all instructions BEFORE assembly and USE of the product



**NEVER** substitute parts



CONTACT us for replacement parts

## WARNING

### Prevent serious injury or death from falls or tipping over



NEVER PLACE PRODUCT ON AN ELEVATED SURFACE



ALWAYS place product on a flat, level surface

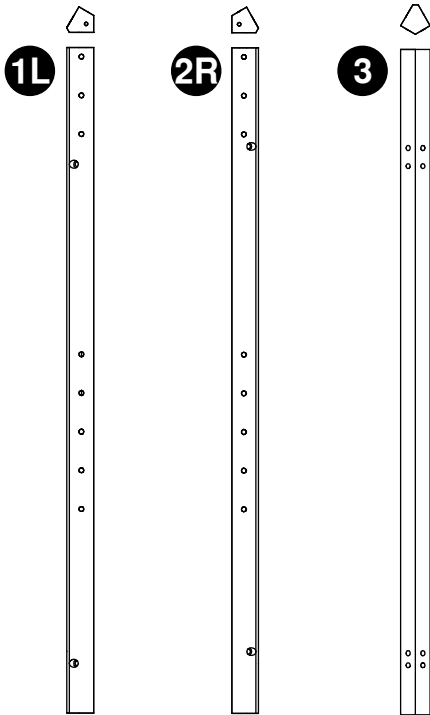


NEVER place near stairs

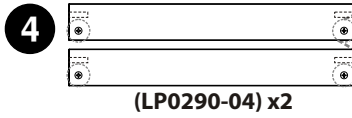
ADULT assembly required!

Choking Hazard: Unassembled small parts can be a choking hazard to children. For the safety of your child it is recommended to not assemble this unit with them in the same room due to concern they accidentally pick up and swallow small parts.

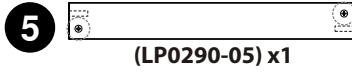
# PARTS LIST



(LP0290-1L) x1 (LP0290-2R) x1 (LP0290-03) x1



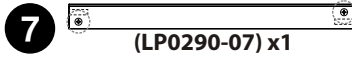
(LP0290-04) x2



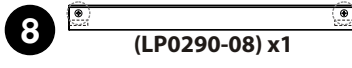
(LP0290-05) x1



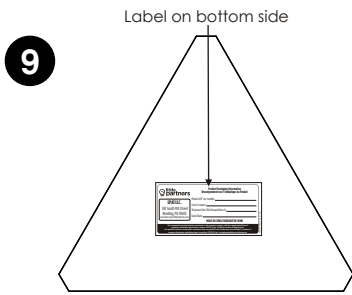
(LP0290-06) x1



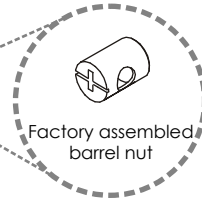
(LP0290-07) x1



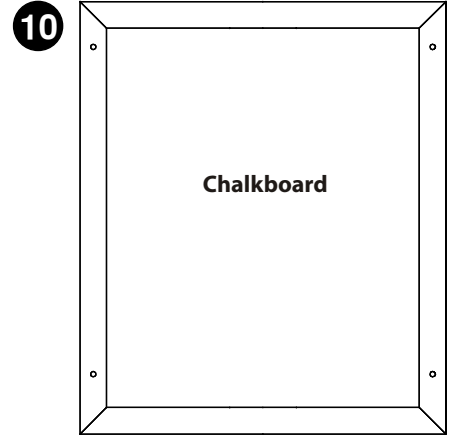
(LP0290-08) x1



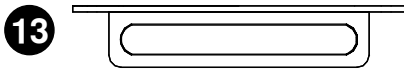
(LP0290-09) x1



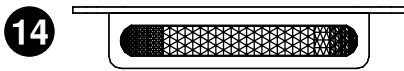
Factory assembled barrel nut



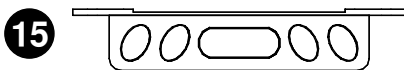
(LP0290-10) x1



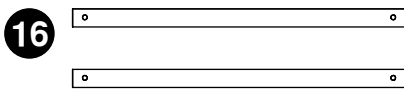
(LP0290-13) x1



(LP0290-14) x1



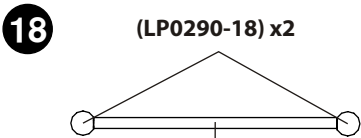
(LP0290-15) x1



(LP0290-16) x2



(LP0290-17) x2



(LP0290-18) x2



(LP0290-19) x1



(LP0290-20) x4



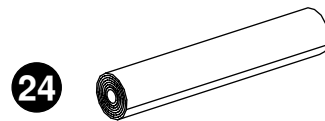
(LP0290-21) x4



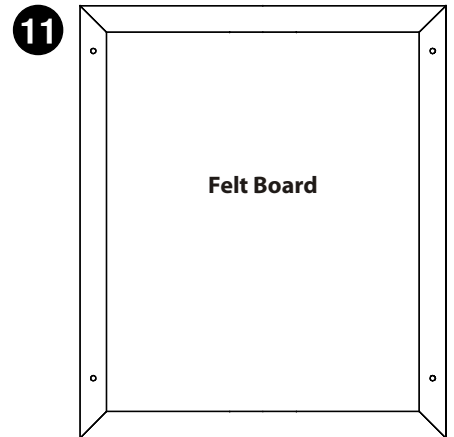
(LP0290-22) x4



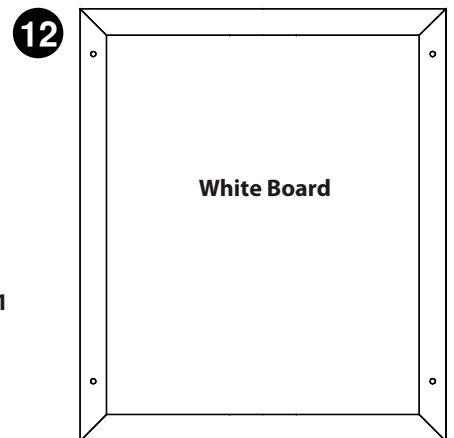
(LP0290-23) x1



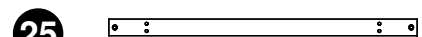
(LP0290-24) x1



(LP0290-11) x1



(LP0290-12) x1



(LP0290-25) x1

# HARDWARE

## Fixtures and Fittings supplied (actual size)

Ref.	Name	QTY	mm 10 20 30 40 50 60	Head
A	M6 x 45mm Bolt	12		
B	M5 x 30mm Bolt	18		
C	M4 x 30mm Bolt	6		
D	8 x 30mm Wood Dowel	12		

## Fixtures and Fittings (not to scale)

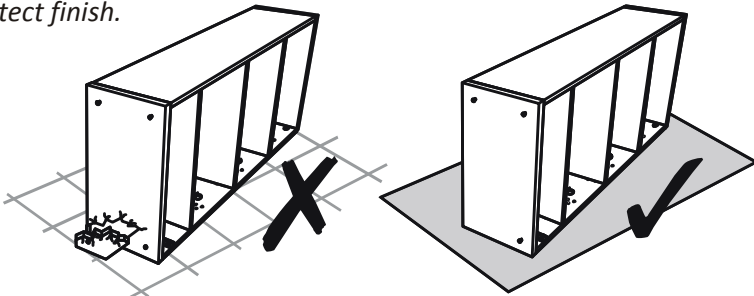
AK	Allen Key #07-00001	1	
----	------------------------	---	--

## Fixtures NOT SUPPLIED (not to scale)

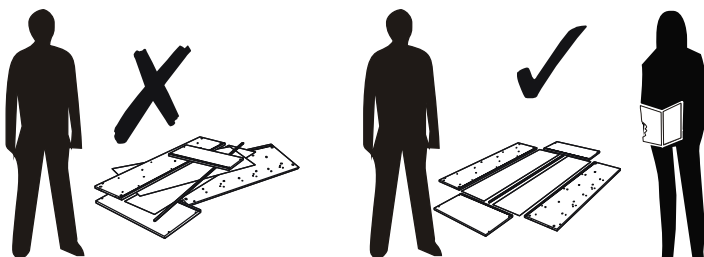
N/A	Flat Head Screwdriver	1	
-----	-----------------------	---	--

## USEFUL HINTS AND TIPS

Assemble product on a soft surface like a carpet/rug or blanket to protect finish.



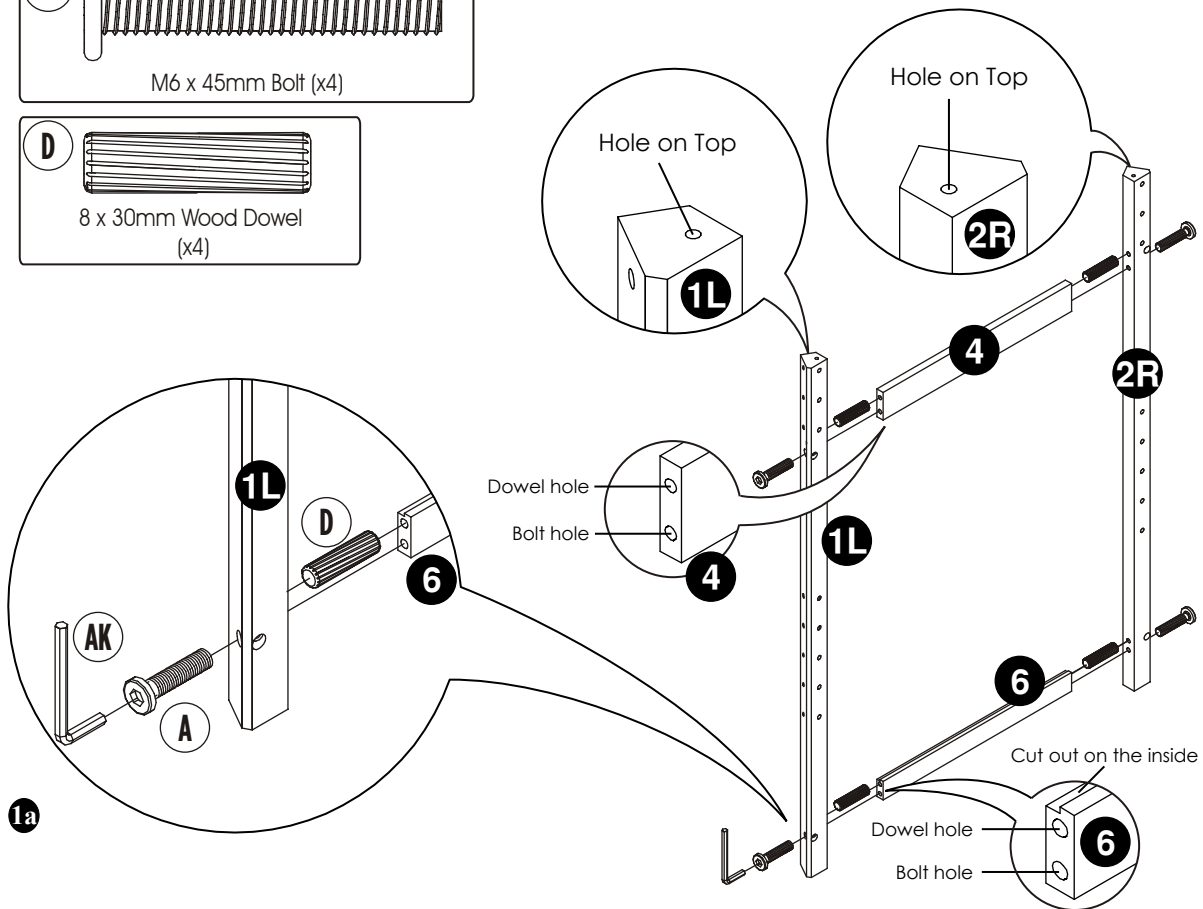
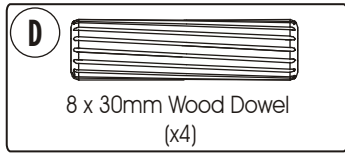
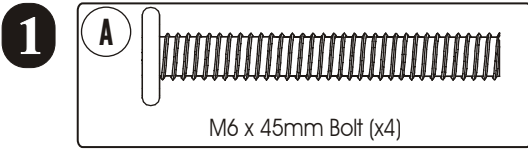
While one person can assemble this item two people are recommended



DO NOT USE POWER TOOLS TO ASSEMBLE THIS PRODUCT. USE OF POWER TOOLS WILL INVALIDATE ANY CLAIM AND MAY DAMAGE THIS PRODUCT MAKING IT UNSAFE.

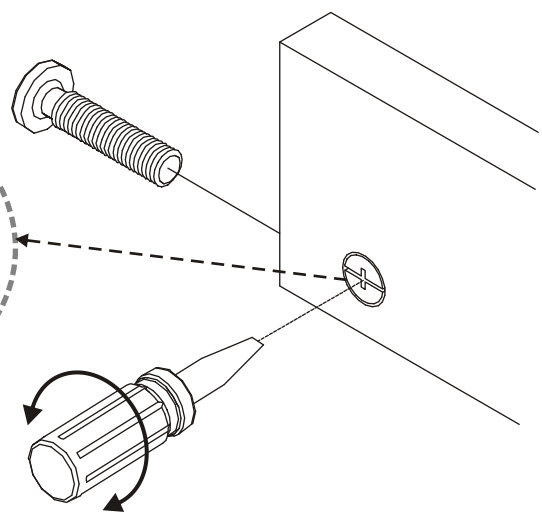
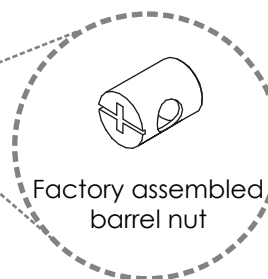
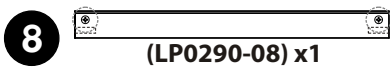
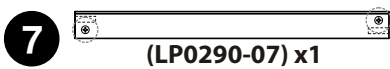
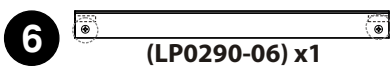
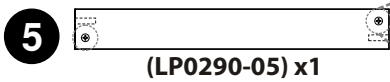
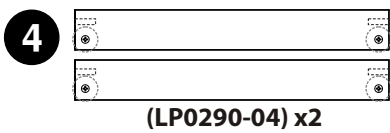
USING A POWER TOOL CAN CAUSE BOLTS AND SCREWS TO BE OVER TIGHTENED AND STRIP HOLES.

# ASSEMBLY INSTRUCTIONS



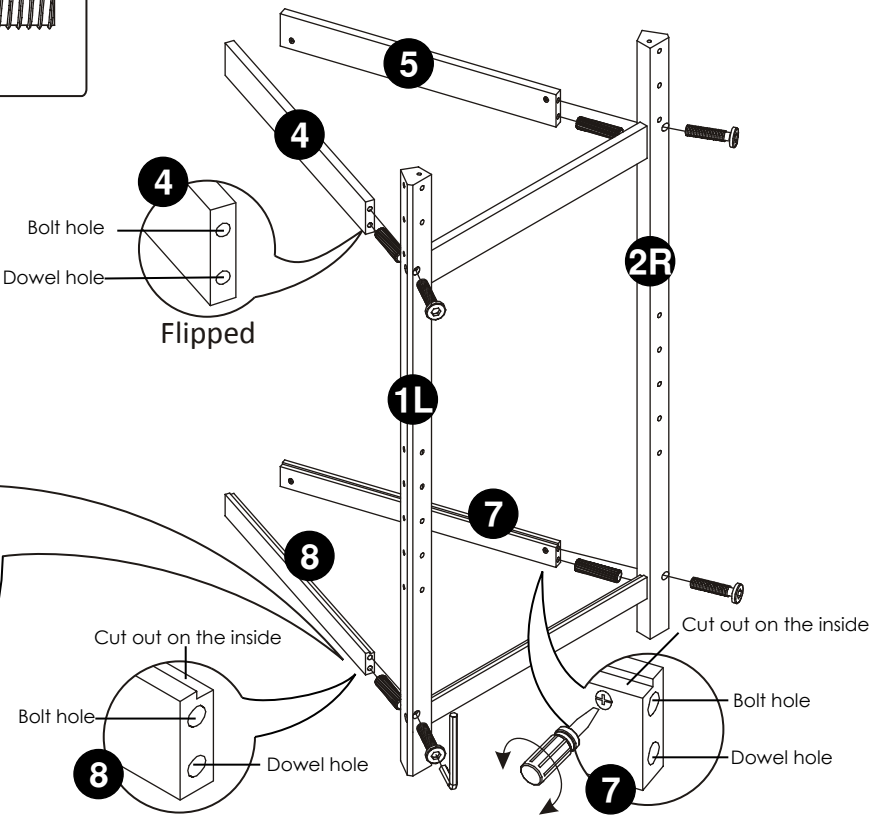
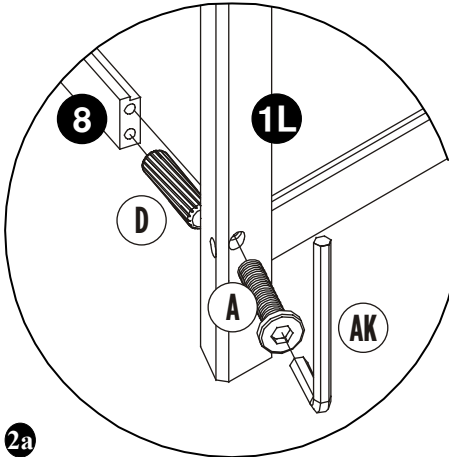
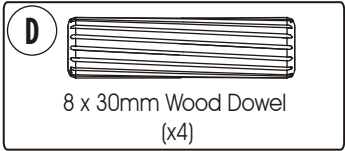
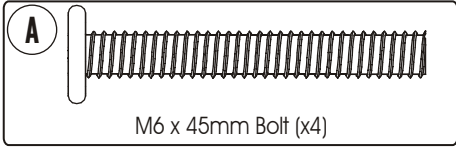
## Trouble shooting tip

If the bolts do not screw (thread) into parts 4 thru 8, using a flat head screwdriver, rotate the barrel nut till the bolt threads

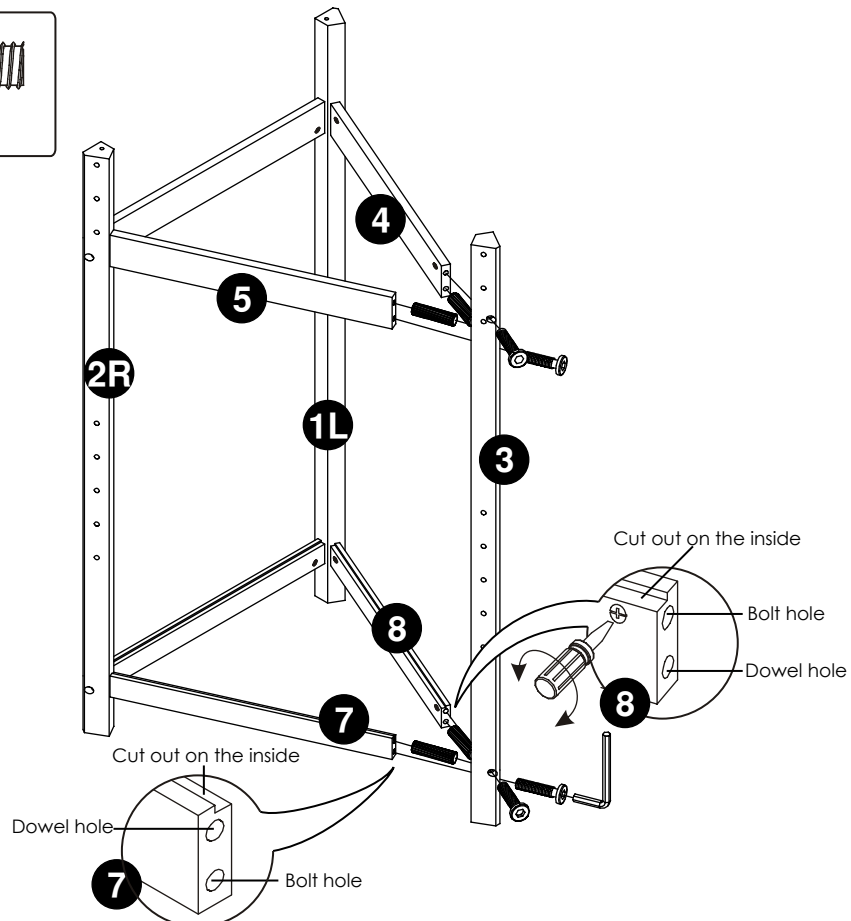
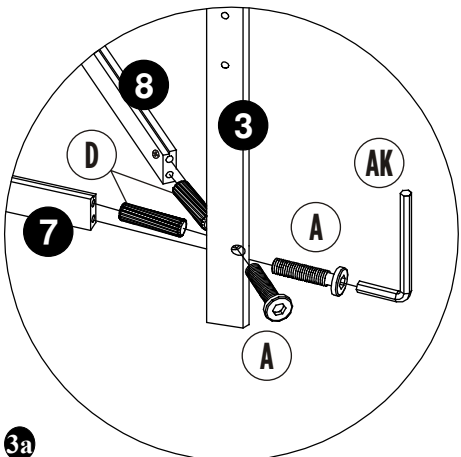
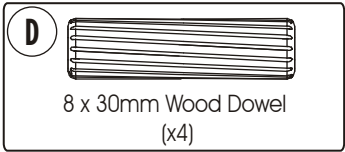
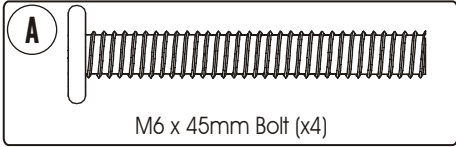


# ASSEMBLY INSTRUCTIONS

**2**

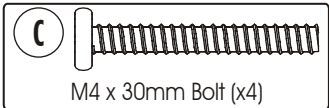


**3**

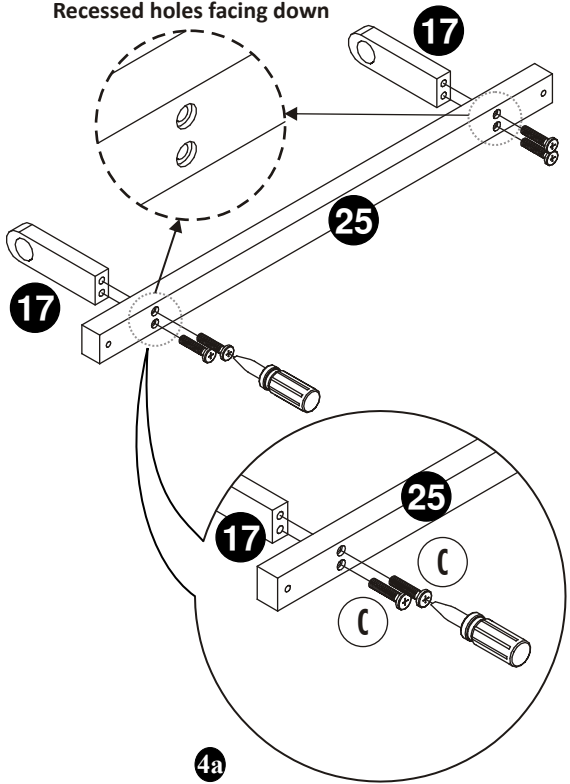


# ASSEMBLY INSTRUCTIONS

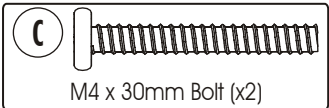
4



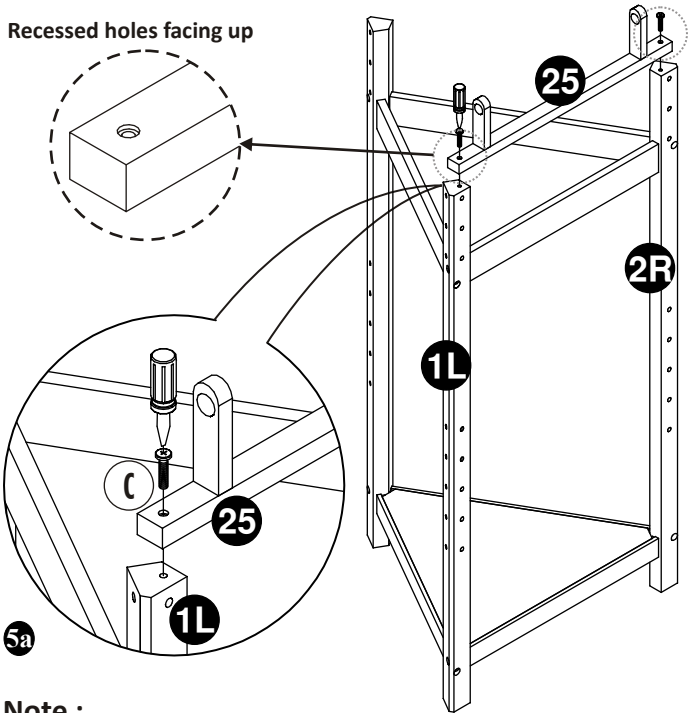
Recessed holes facing down



5



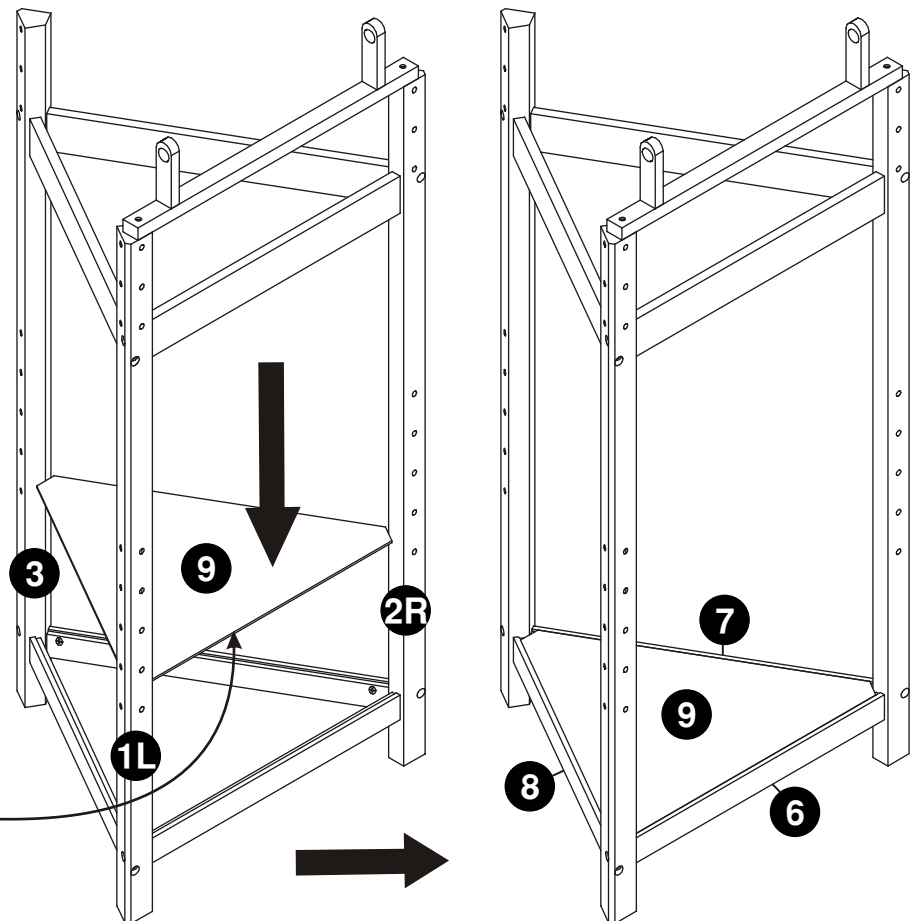
Recessed holes facing up



**Note :**  
If part 25 doesn't line up with holes on top of 1L & 2R please check to ensure you have used the correct part.

6

**Note:** If your shelf does not fit please loosen the bolts on one of the lower legs a little, push down on shelf till it fits and then re tighten.



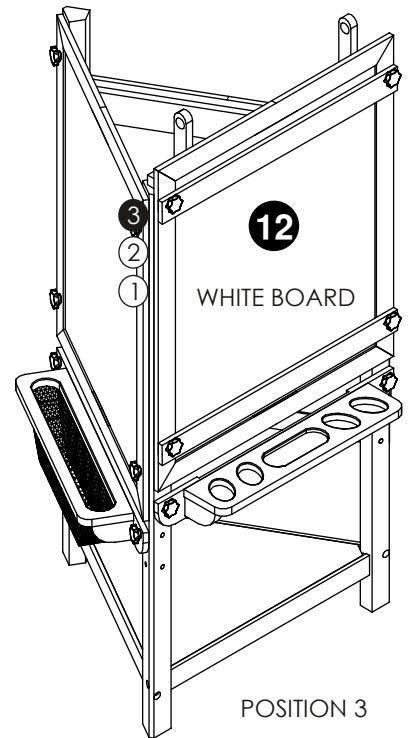
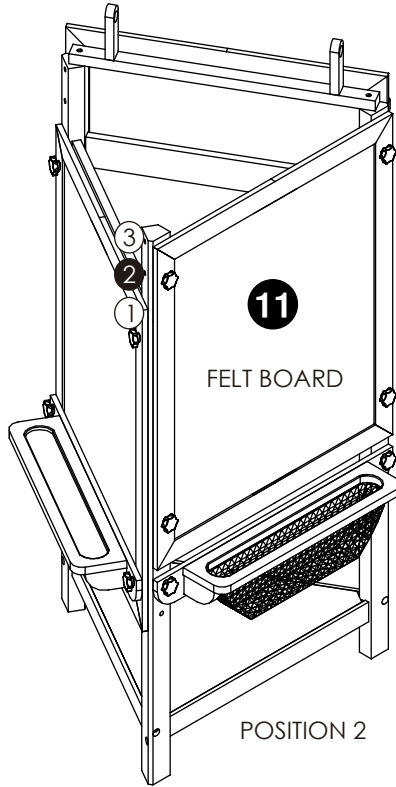
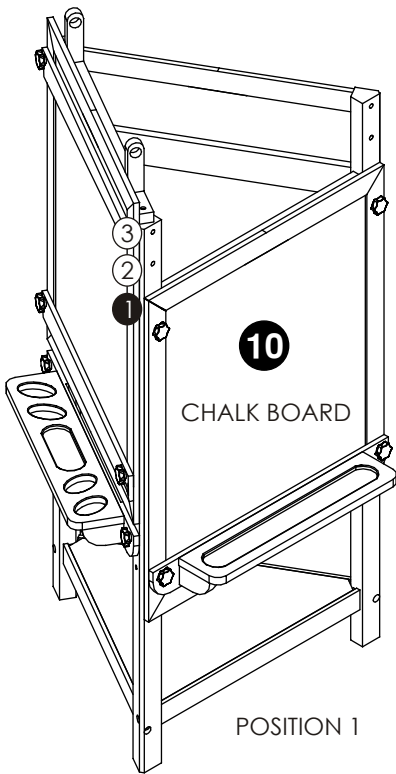
Label on bottom side

<p>LPAT LLC. 501 South 9th Street Reading, PA 19602 customercare@littlepartners.com www.littlepartners.com</p>	<p>Product Packaging Information Renseignements sur l'emballage du produit</p>
	<p>Model #/N° de modèle: _____</p>
	<p>Color/Couleur: _____</p>
	<p>Shipment Ref./Réf. d'expédition #: _____ Date/Date: _____</p>
<p>MADE IN CHINA/FABRIQUÉ EN CHINE</p>	
<p><small>The composite wood products contained in this product comply with the applicable Phase 2 emission standards specified in section 93210.2 (a), California Code of Regulations. Les produits en bois composites contenus dans ce produit sont conformes aux articles, §§ 93210.2 (a), du règlementation californienne.</small></p>	

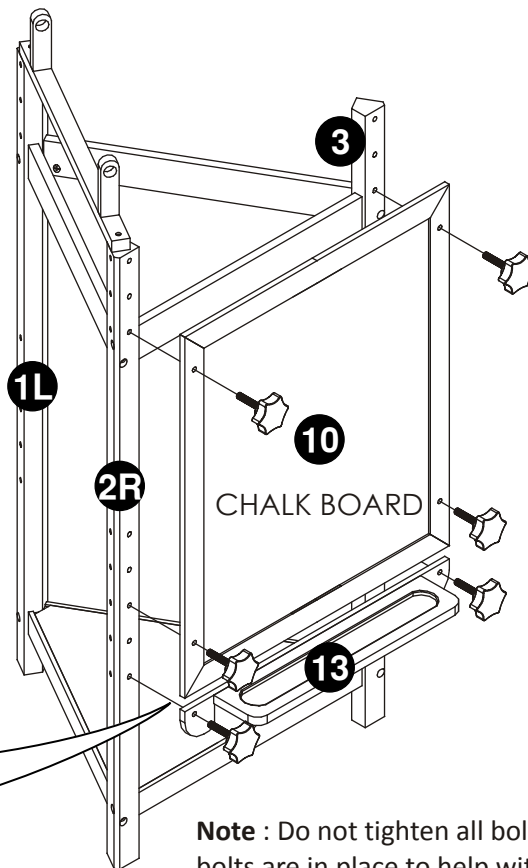
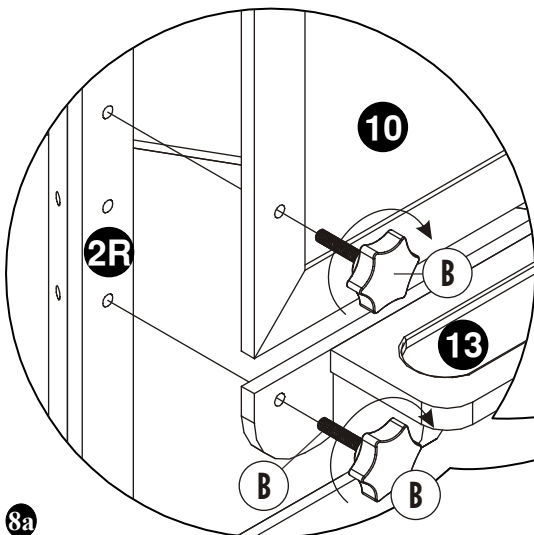
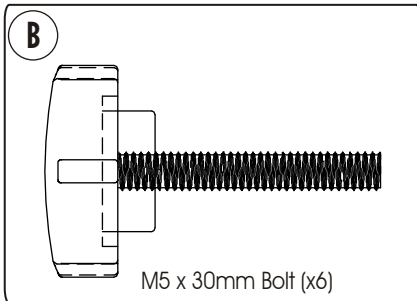
# ASSEMBLY INSTRUCTIONS

7

**Note:** Before you assemble your board to the legs, please note you have three heights available. Pick the height that works best for your child. If you wish, all three boards can be assembled at different heights as needed.



8

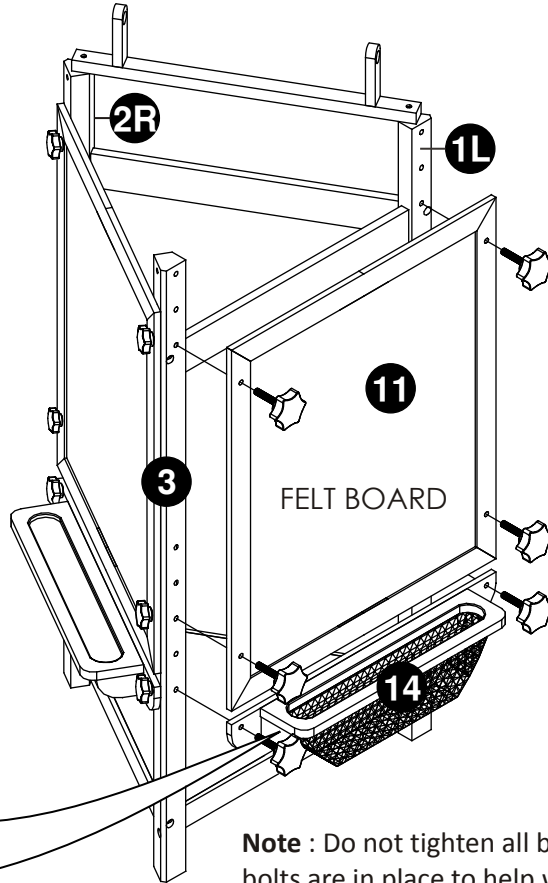
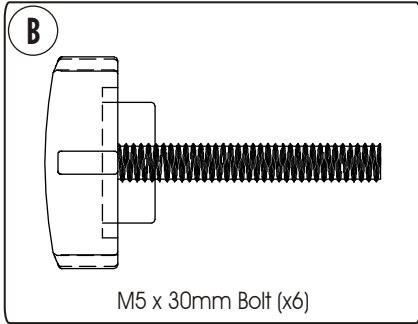


**Note :** Do not tighten all bolts until all four bolts are in place to help with alignment.

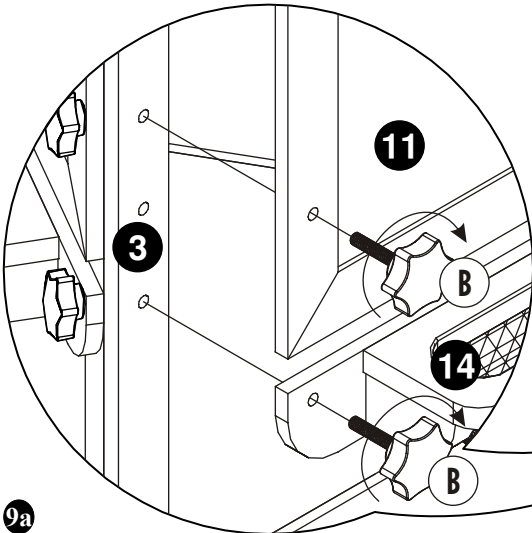


# ASSEMBLY INSTRUCTIONS

9

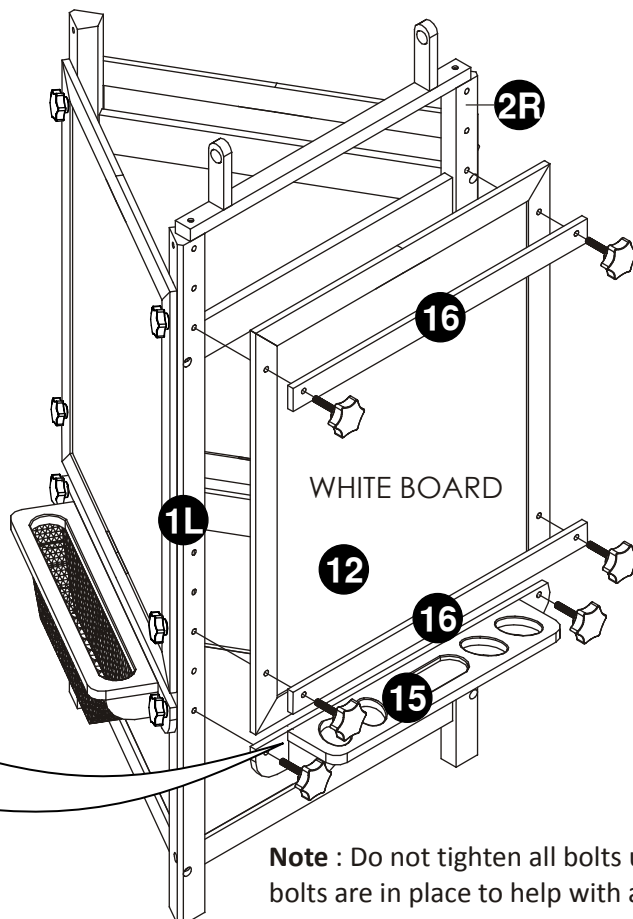
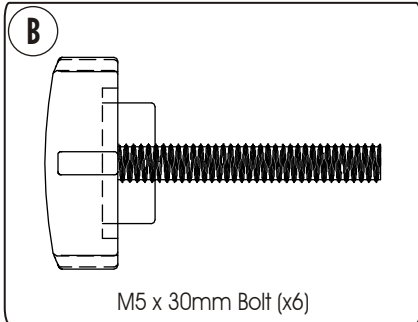


**Note :** Do not tighten all bolts until all four bolts are in place to help with alignment.

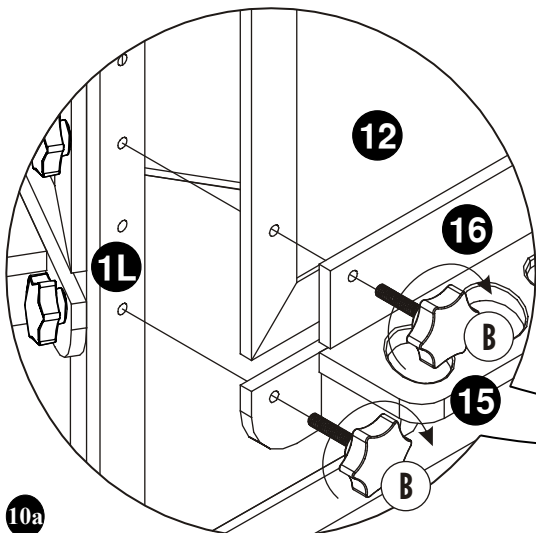


9a

10



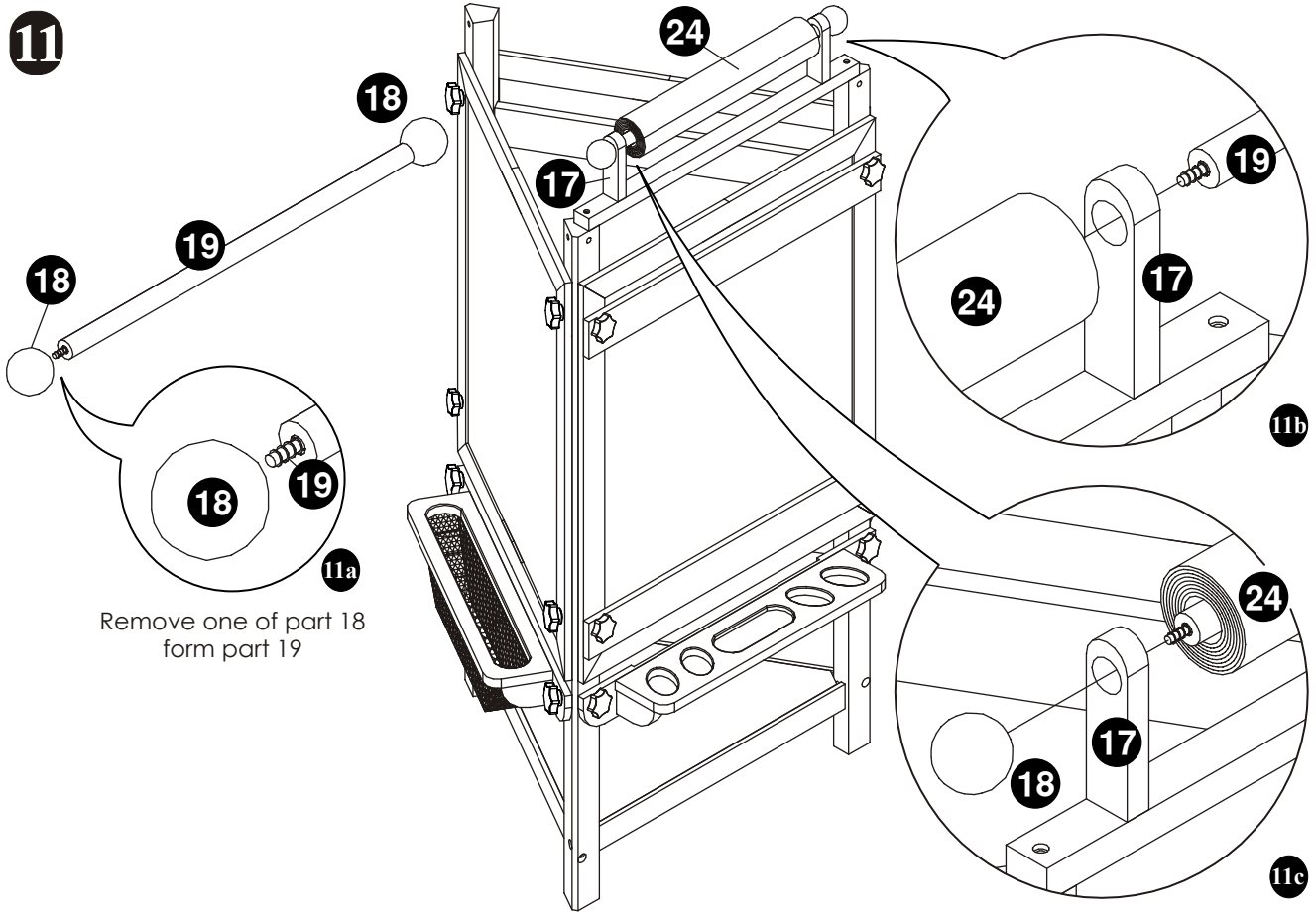
**Note :** Do not tighten all bolts until all four bolts are in place to help with alignment.



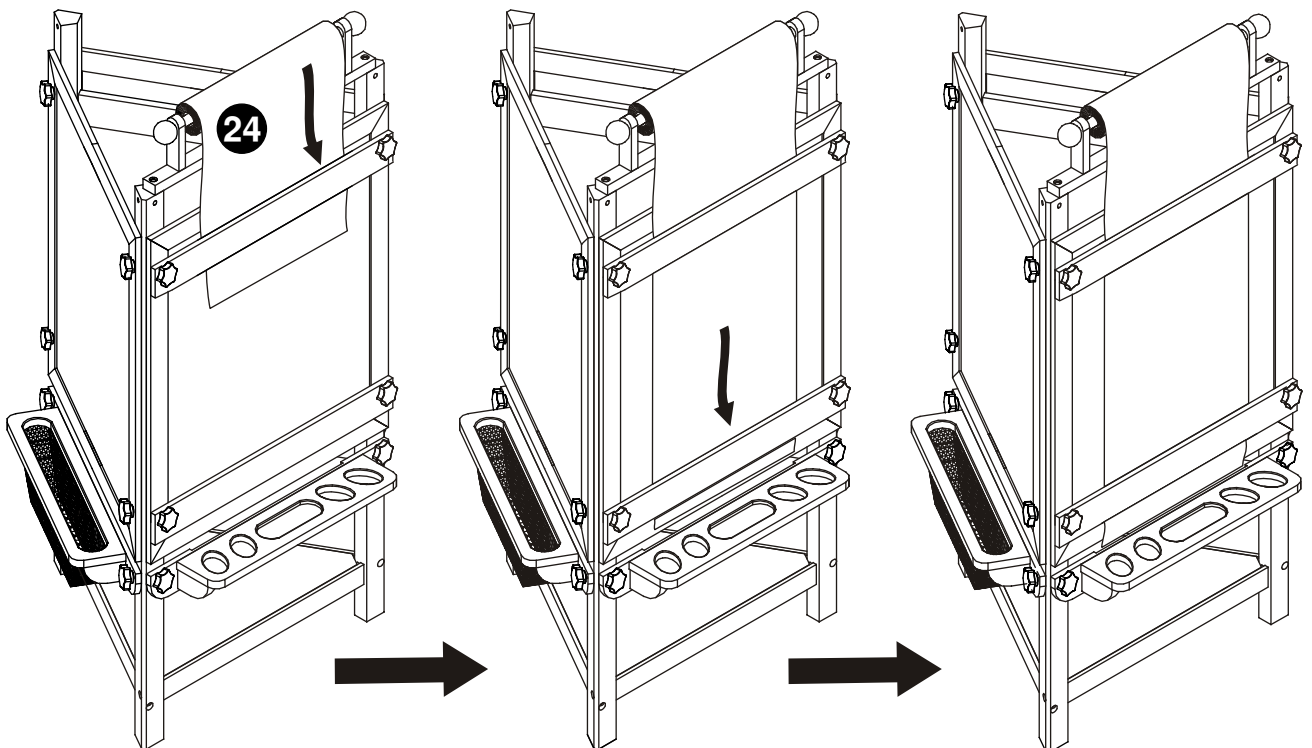
10a

# ASSEMBLY INSTRUCTIONS

11

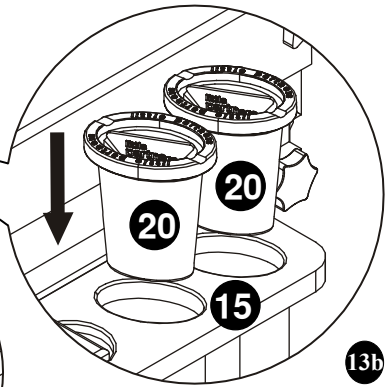
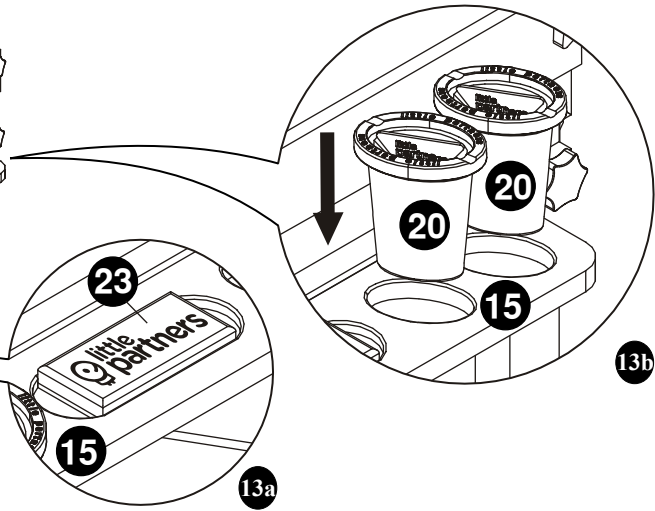
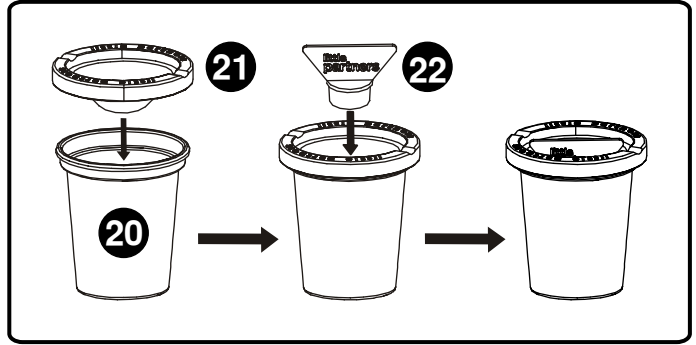
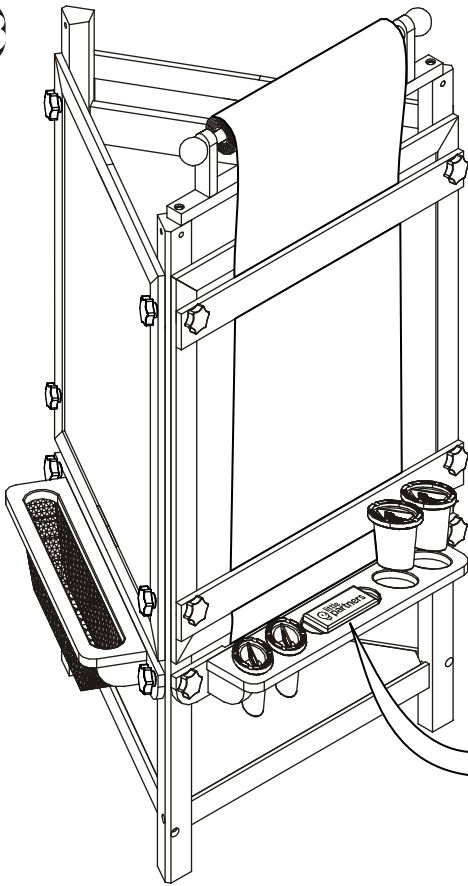


12

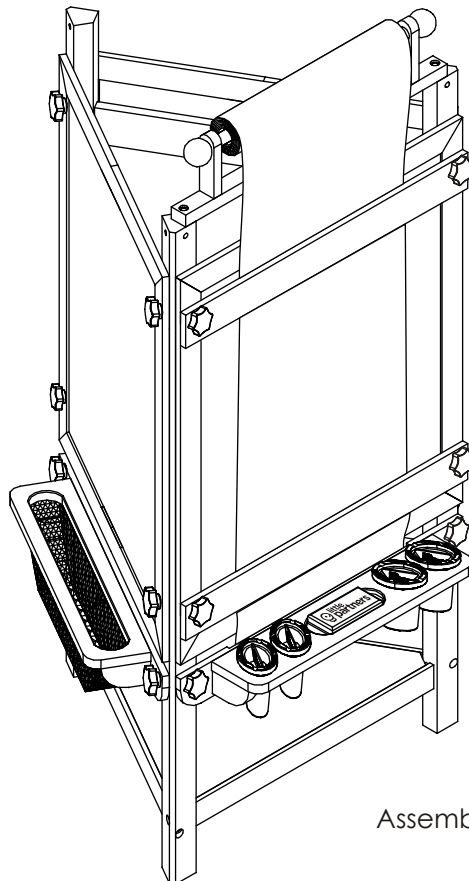


# ASSEMBLY INSTRUCTIONS

13



14



Assembly complete.

# REGISTRATION

IMPORTANT: Product Registration for safety alert or recall only.

We urge you to register your product in the event of a safety alert or recall. We will not sell, rent or share your personal information. To register this product please go to our online registration site at:

<http://www.littlepartners.com/registration>

# DISMANTLING PRODUCT AND STORAGE

- Follow directions in reverse to dismantle this product.
- Keep all hardware together in a plastic bag and store with the other parts. Store all parts in a safe and temperature controlled environment.

# PRODUCT WARRANTY

Little partners thanks you for your purchase and welcomes you to our growing family of owners and users of our products. Please retain this warranty in the event that you may need to contact us.

### Who is covered by this warranty?

This warranty extends to the original purchaser only and will need proof of purchase.

### Time period of this warranty.

The 1 year term of this warranty shall commence on the date of the original purchase.

### What is covered by this warranty?

The warranty covers any defects, malfunction or failure attributed to either the quality of materials used, workmanship of finish, or assembly. If during the first 1 year after purchase of this product under reasonable and non-commercial use, and conditions of maintained, it fails to conform to this warranty, Little Partners will at its option, repair or replace the product determined to be defective.

### What is Not Covered by this warranty?

This warranty does not cover damages or malfunctions not resulting from defects in material or workmanship. Damages or malfunctions from other than normal use, including, but not limited to, repair or tampering by unauthorized parties.

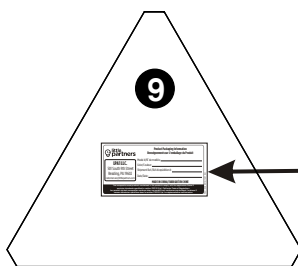
If you require service.

Find below our contact detail and Product Packaging information when calling us.

This Little Partners product is made from wood and as such slight imperfections may occur that are not manufacturing defects. These are the characteristics that make wood furniture unique and memorable. Remember, in a forest no tree is the same!

# PRODUCT PACKAGING INFORMATION

The following packaging information is also found on **Part 9**.



 <b>LPA1 LLC.</b> 501 South 9th Street Reading, PA 19602 customer@littlepartners.com www.littlepartners.com	<b>Product Packaging Information</b> Renseignements sur L'emballage du Produit	
	Model #/N° de modèle: _____	Color/Couleur: _____
	Shipment Ref./Réf. d'expédition #: _____	Date/Date: _____
	<b>MADE IN CHINA/FABRIQUÉ EN CHINE</b>	
<small>The composite wood products contained in this product comply with the applicable Phase 2 emission standards specified in section 93210.2 (a), California Code of Regulations. Les produits de bois composites contenus dans ce produit sont conformes aux échéant, la phase 2 normes d'émission spécifiées dans la section 93210.2 (a). La réglementation californienne.</small>		

PRN: 02-04015 (16-01-11)



**LPA1 LLC.**  
501 South 9th Street  
Reading, PA 19602  
www.littlepartners.com  
E-Mail: customer@littlepartners.com  
Toll free: 1.800.704.9058

Model #: **LP0190-10**

Color: **NATURAL WITH APPLE GREEN**

Shipment Ref. #: **16-17-L001**

Date: **01/2016-DTM**

**MADE IN CHINA**