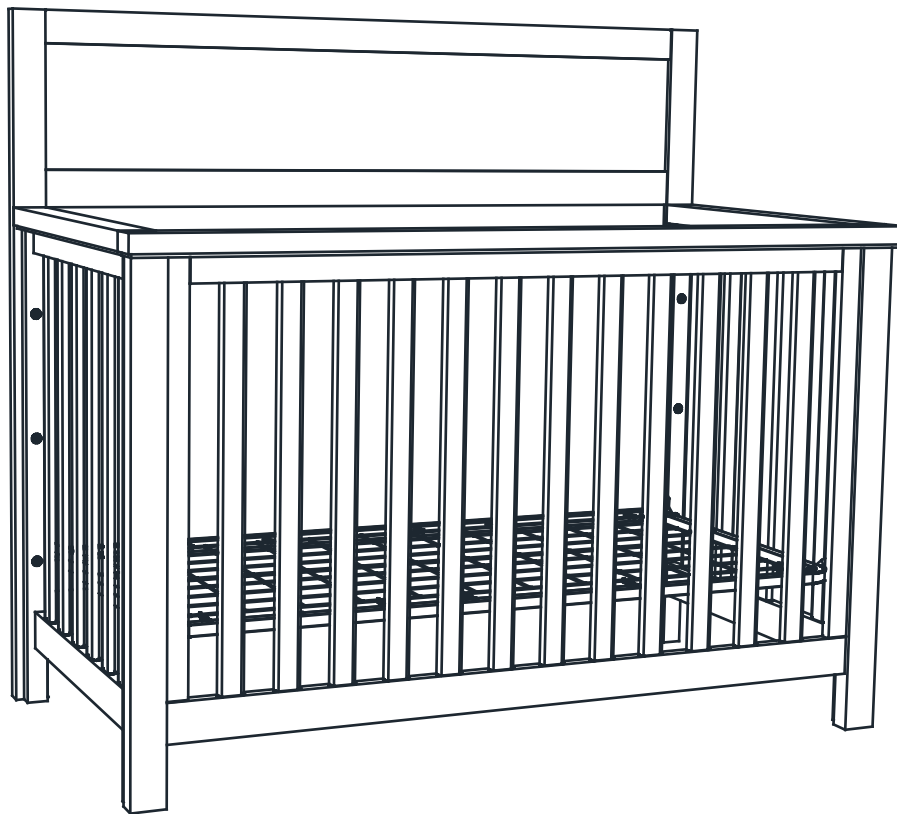


WESTWOOD DESIGN



STARRY DREAMS

Convertible Crib

Model: DW-CR-3201NR-LGY

DW-CR3201NR

RTG SKU #: 39132080

Assembly Instruction



sample tested to meet U.S. Federal
ASTM and other safety requirements

Congratulations on your purchase of a Westwood product. We take great pride in the quality and design of our furniture. The safety of your child is our highest priority. It is important that you read these instructions carefully and completely to ensure that this product functions as it was designed.

After opening the package, check to see that all the parts are present. If you think something is missing, please contact your retailer, and they can arrange to have the missing parts quickly replaced. You can also contact us directly, by calling 1-908-719-4707, or emailing support@westwoodbaby.com

If any aspect of these instructions is unclear, please contact your retailer or Westwood Design for assistance.

In addition to meeting our own extensive in-house testing and standards, this crib has been independently tested to meet JPMA certification standards.

Were you expecting more hardware?

This crib uses Westwood's ground-breaking Always There Hardware system. The hardware is permanently contained inside the crib, so it is easier to assemble, there is no hardware to misplace if you put the crib into storage, and no chance of using the wrong bolt in the wrong location.

We believe this is perhaps the easiest convertible crib in the world to assemble, but if any part of these instructions is unclear, please contact your retailer or Westwood for help. For general support and help questions, you can contact Westwood directly by calling 1-908-719-4707, or emailing support@westwoodbaby.com.

The screws and bolts on your crib are equipped with a locking mechanism under the head to help prevent loosening, but it's still a good idea to check them once in a while and tighten them if needed.



635 N. Billy Mitchell Rd.,
Salt Lake City, UT 84116
Phone: 908-719-4707

www.westwoodbaby.com



sample tested to meet U.S. Federal,
ASTM and other safety requirements



WARNING

FAILURE TO FOLLOW THESE WARNINGS AND ASSEMBLY INSTRUCTIONS COULD RESULT IN SERIOUS INJURY OR DEATH.

- READ ALL INSTRUCTIONS **BEFORE** ASSEMBLING CRIB. **KEEP INSTRUCTIONS FOR FUTURE USE.**
- TO REDUCE THE RISK OF SUDDEN INFANT DEATH SYNDROME (SIDS), PEDIATRICIANS RECOMMEND HEALTHY INFANTS BE PLACED ON THEIR BACK TO SLEEP, UNLESS OTHERWISE ADVISED BY YOUR PHYSICIAN.
- PREVENT BURNS. KEEP CRIB AWAY FROM OPEN FIRES AND OTHER HEAT SOURCES.
- ANY MATTRESS USED IN THIS CRIB MUST BE AT LEAST 27-1/4 IN. (69 CM). BY 51-5/8 IN. (131 CM), WITH A THICKNESS NOT EXCEEDING 6 IN. (15 CM). THE DIMENSIONS OF THE MATTRESS SHOULD BE TAKEN FROM SEAM TO SEAM.
- **DO NOT** USE A WATER MATTRESS WITH THIS CRIB.
- NEVER USE PLASTIC SHIPPING BAGS OR OTHER PLASTIC FILM AS A MATTRESS COVER BECAUSE THE CAUSE SUFFOCATION.
- IF REFINISHING, USE A NON-TOXIC FINISH SPECIFIED FOR CHILDREN'S PRODUCTS.
- FOLLOW WARNINGS ON ALL PRODUCTS IN CRIB.

SUFFOCATION HAZARD:

- INFANTS CAN SUFFOCATE IN GAPS BETWEEN CRIB SIDES AND A MATTRESS THAT IS TOO SMALL.
- INFANTS CAN SUFFOCATE ON SOFT BEDDING. NEVER ADD A PILLOW OR COMFORTER. NEVER PLACE ADDITIONAL PADDING UNDER AN INFANT.

STRANGULATION HAZARD:

- STRINGS CAN CAUSE STRANGULATION! DO NOT PLACE ITEMS WITH A STRING AROUND CHILD'S NECK, SUCH AS HOOD STRINGS OR PACIFIER CORDS. **DO NOT** SUSPEND STRINGS OVER A CRIB OR ATTACH STRINGS TO TOYS.
- TO PREVENT STRANGULATION, TIGHTEN ALL SCREWS AND BOLTS. A CHILD CAN TRAP PARTS OF THE BODY OR CLOTHING ON LOOSE SCREWS AND BOLTS.
- **DO NOT** PLACE CRIB NEAR A WINDOW WHERE CORDS FROM BLINDS OR DRAPES MAY STRANGLE A CHILD.

FALL HAZARD:

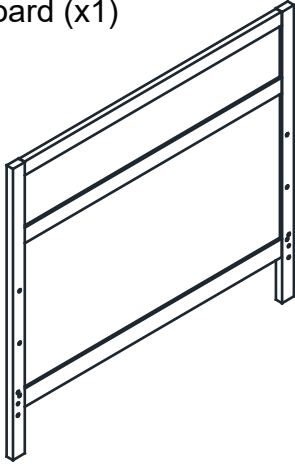
- WHEN CHILD IS ABLE TO PULL TO A STANDING POSITION, SET MATTRESS TO LOWEST POSITION AND REMOVE BUMPER PADS, LARGE TOYS AND OTHER OBJECTS THAT COULD SERVE AS STEPS FOR CLIMBING OUT.
- WHEN CHILD IS ABLE TO CLIMB OUT OR REACHES THE HEIGHT OF 35 IN. (89 CM), THE CRIB SHALL NO LONGER BE USED.

IMPORTANT:

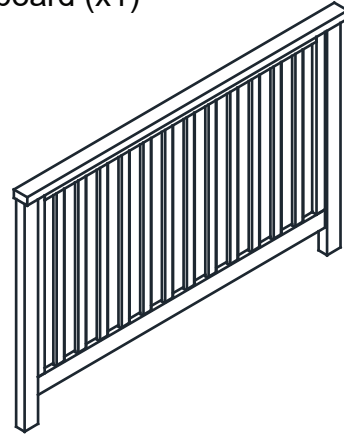
- CHECK THIS CRIB FOR DAMAGED HARDWARE, LOOSE JOINTS, MISSING PARTS OR SHARP EDGES BEFORE AND AFTER ASSEMBLY AND FREQUENTLY DURING USE. **DO NOT** USE CRIB IF ANY PARTS ARE MISSING OR BROKEN. ASK YOUR DEALER OR CONTACT WESTWOOD DESIGN: 635 N. BILLY MITCHELL RD., STE. B, SALT LAKE CITY, UTAH 84116, PHONE: 1-908-719-4707, EMAIL: SUPPORT@WESTWOODBABY.COM; FOR REPLACEMENT PARTS AND INSTRUCTIONAL LITERATURE IF NEEDED. **DO NOT** SUBSTITUTE PARTS.

Parts & Hardware Included

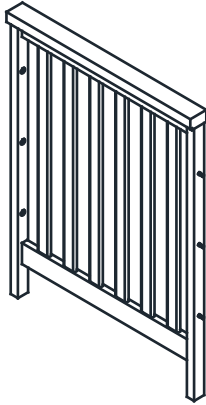
A Headboard (x1)



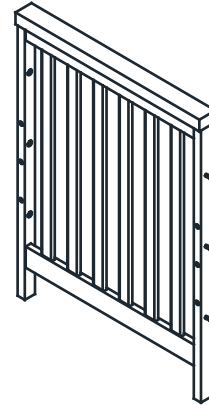
B Footboard (x1)



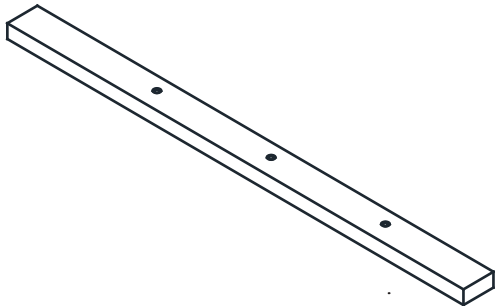
C Crib End, Left (x1)



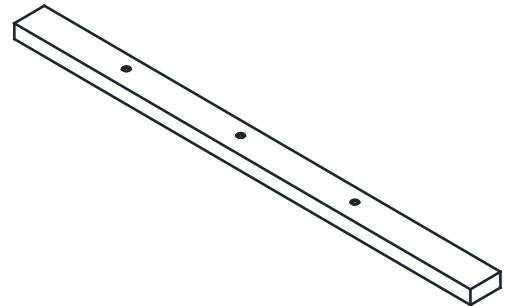
D Crib End, Right (x1)



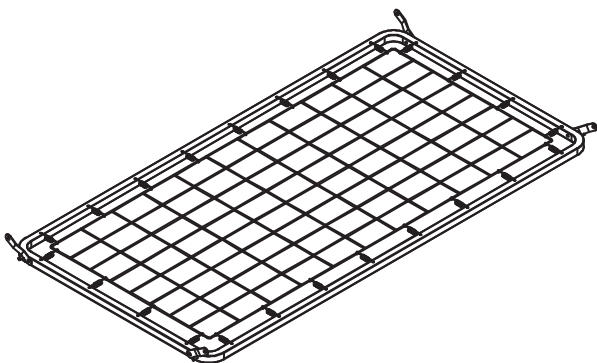
E Day Bed Cap, Left (x1)



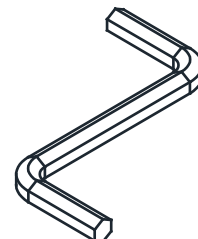
F Day Bed Cap, Right (x1)



G Mattress Support (x1)



H Allen Wrench (x1)

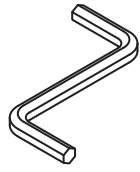


Required Parts & Hardware

(A) Headboard (x1)

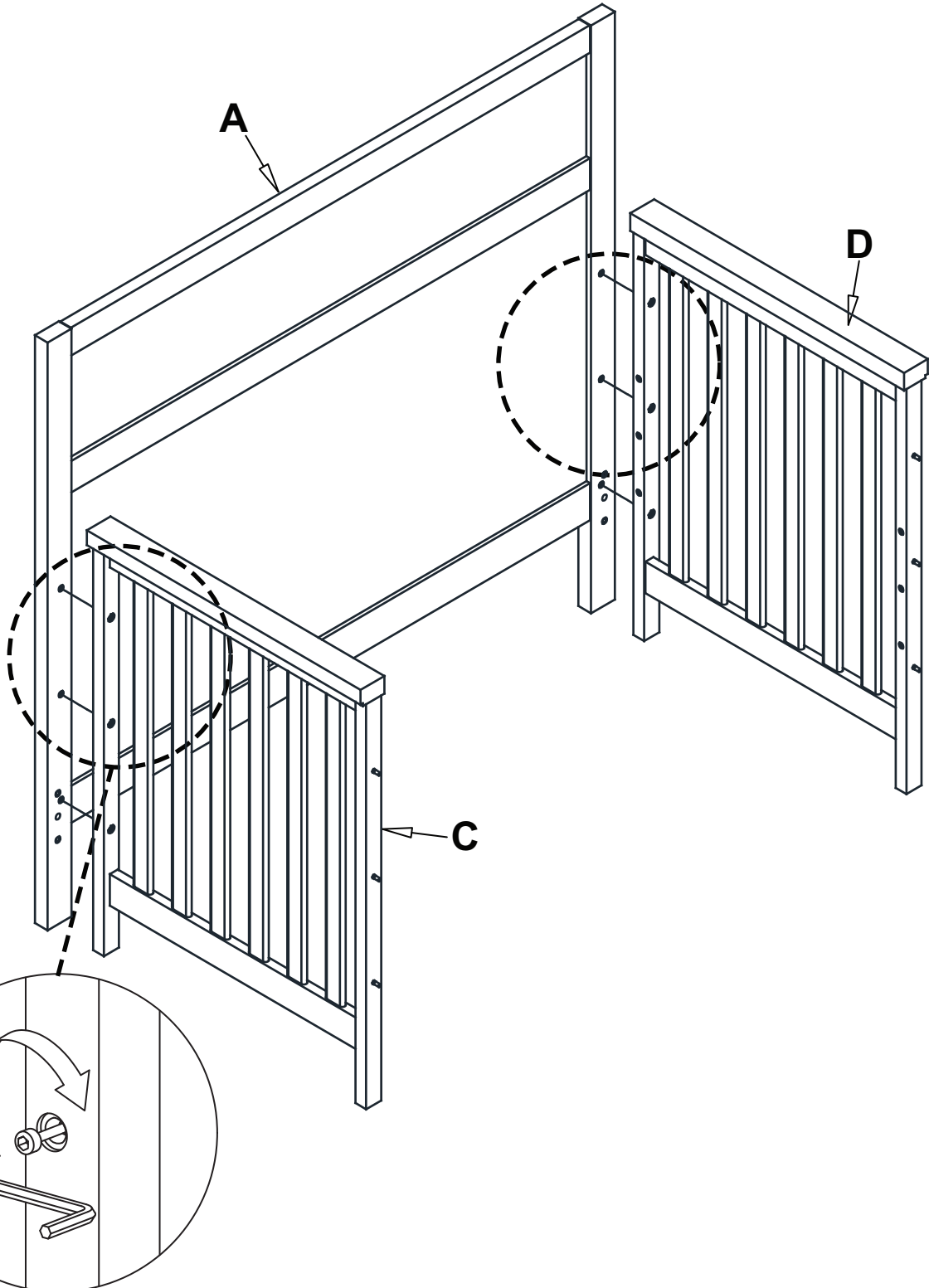
(C) Crib End, Left (x1)

(D) Crib End, Right (x1)



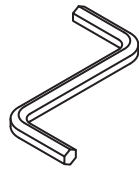
(H) Allen Wrench

Step 1



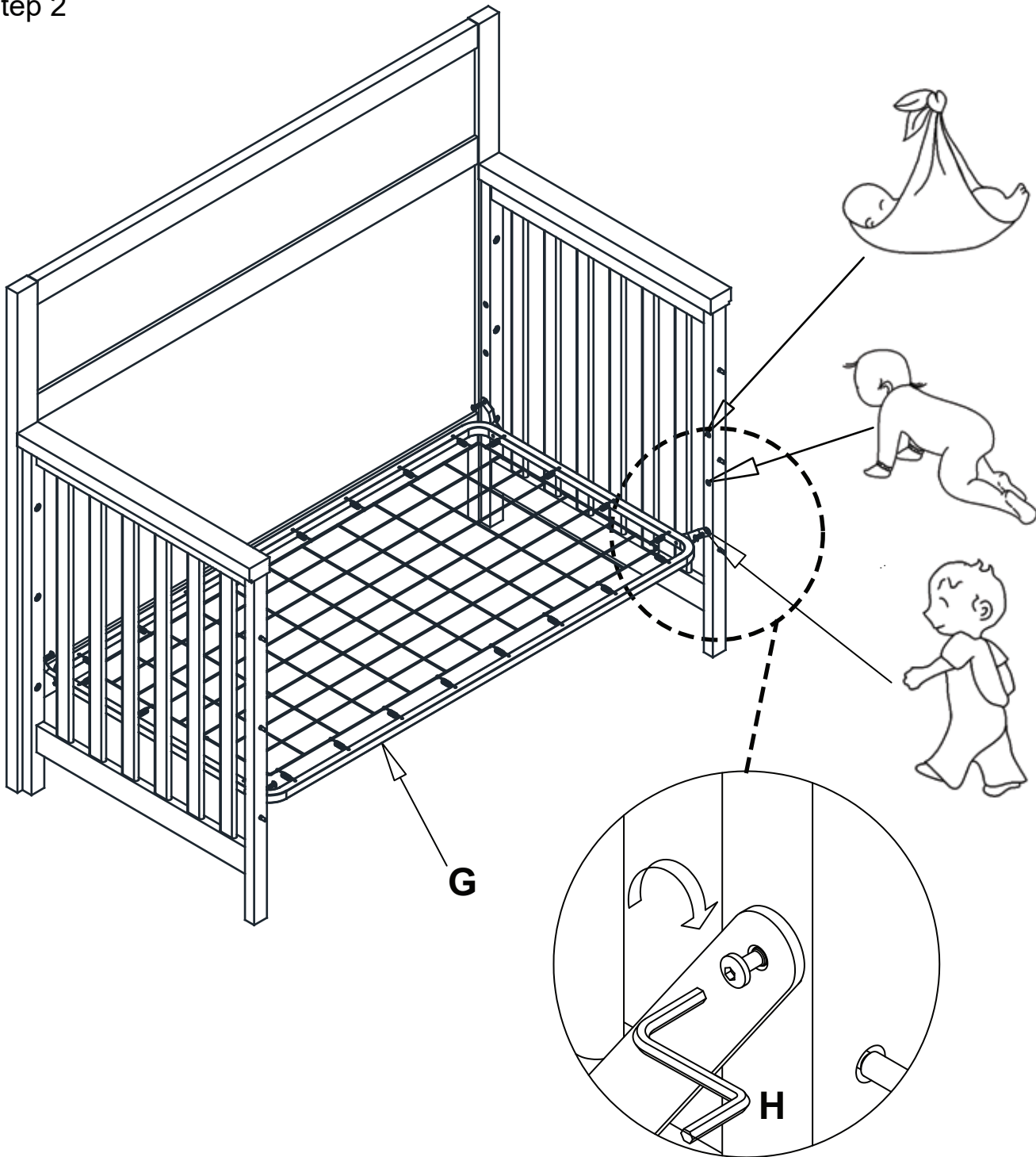
Required Parts & Hardware

(G) Mattress Support (x1)



(H) Allen Wrench

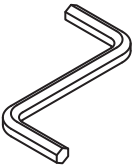
Step 2



There are three possible height settings. The mattress support should be at the highest setting for a newborn, then adjust to the lower position as the child grows and becomes mobile. Once the child is able to stand, adjust to lowest position.

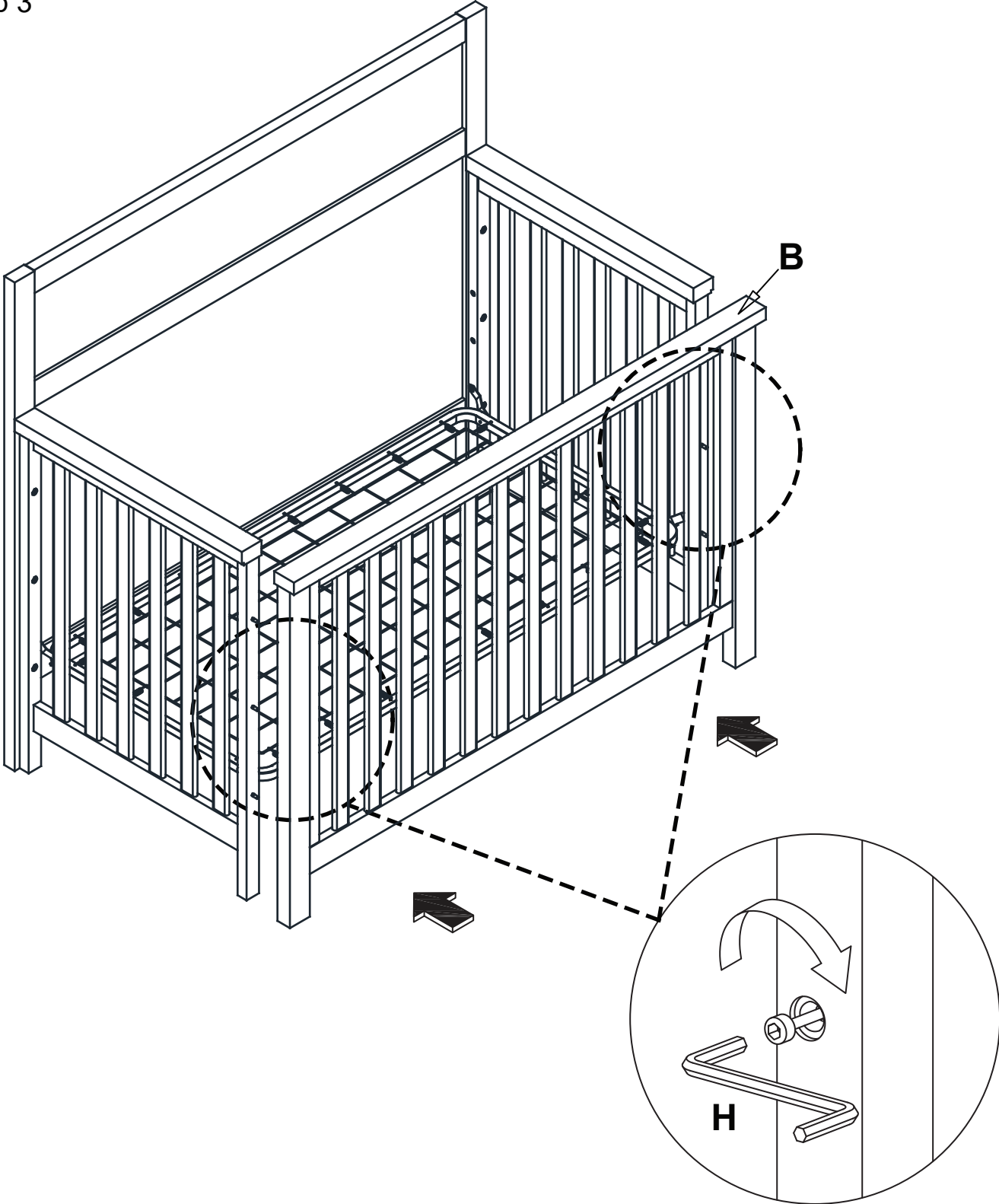
Required Parts & Hardware

(B) Footboard (x1)



(H) Allen Wrench

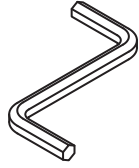
Step 3



DAY BED CONVERSION

(E) Day Bed Cap, Left (x1)

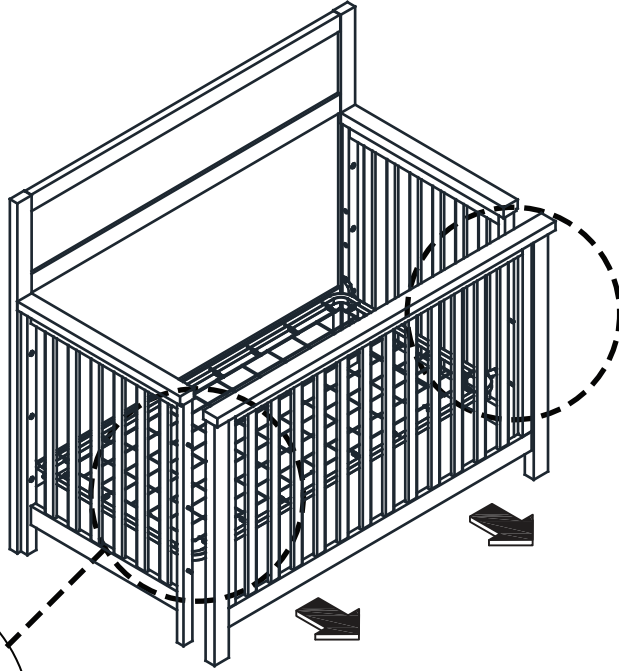
(F) Day Bed Cap, Right (x1)



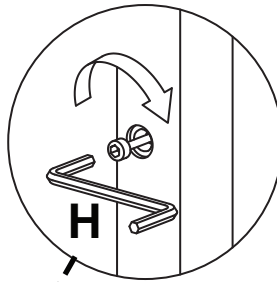
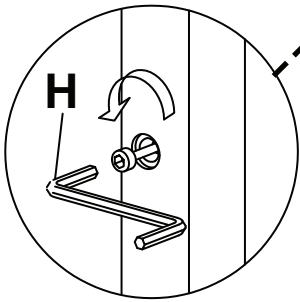
(H) Allen Wrench

Step 1

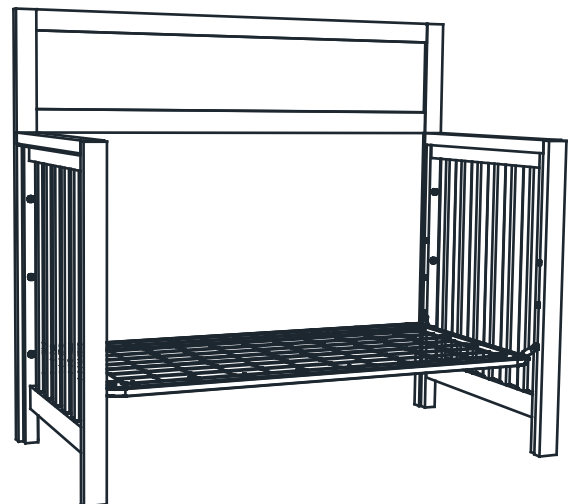
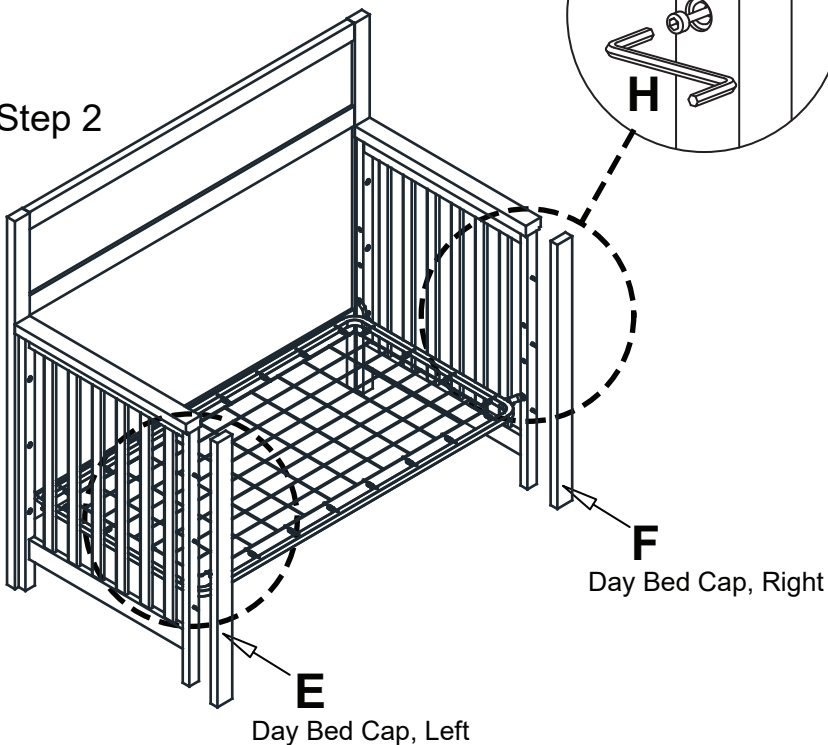
The day bed can only be used with the mattress support in its lowest position.



Remove the bolts from the footboard using the allen wrench provided. Keep the footboard and hardware for future assembly and use.



Step 2



Made in Vietnam

CARE AND MAINTENANCE

- After completing assembly, check that all bolts and screws are secure and tight. Hardware can become loose over time, so it is your responsibility to periodically check the tightness of all fasteners for as long as you use the crib.
- Wood is a natural material. As such, it can be affected by changes in temperature and humidity. Extreme changes in humidity and temperature can cause the wood to warp, swell, crack, or shrink, thus compromising the structural integrity of the crib and making it dangerous to use.
- Use caution when placing the crib in storage to avoid extremes in temperature or humidity. Cribs should always be stored indoors in climate controlled, dry locations.
- Use care when using a vaporizer or humidifier around the crib. Do not aim the vapor at the crib or any other wooden furniture in the nursery. Avoid using vaporizers or humidifiers for extended periods of time.
- To clean the crib, wipe with a damp cloth and immediately dry the surface. Do not use any chemical cleaners or polishes. Such products can leave a residue on the finish and come in contact with your child.
- Your crib has a durable and protective non-toxic finish. However, if you decide to refinish it, you must use a non-toxic finish specified for children's products. Do not use any toxic stripping methods to remove the old finish.



635 N. Billy Mitchell Rd.,
Salt Lake City, UT 84116
Phone: 908-719-4707

www.westwoodbaby.com