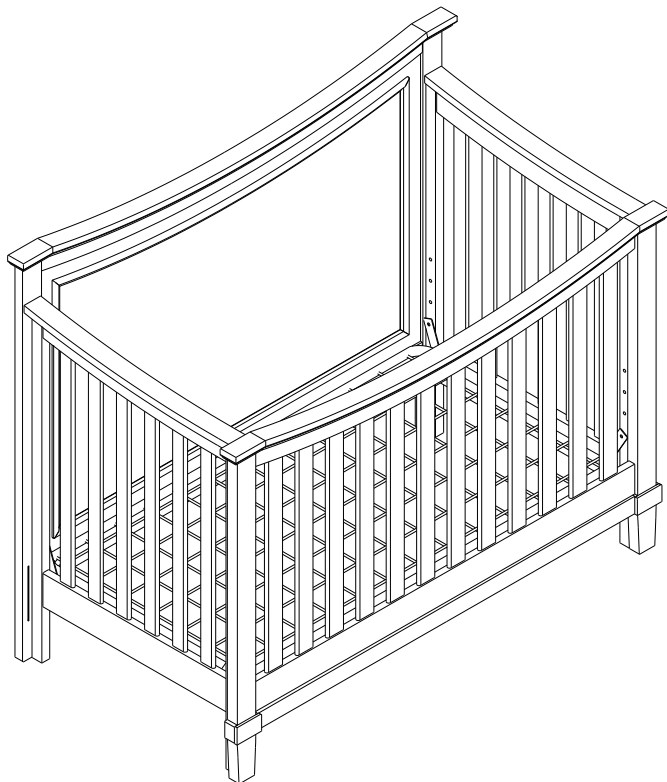


INSTRUCTION MANUAL

 **Baby Knightly**

JACLYN 5 IN 1 CRIB



Model No:

DA1504B4-B (Black)
DA1504B4-G (Gray)
DA1504B4-V (Ivory)

UPC Code

0-65857-17057-3 (Black)
0-65857-17054-2 (Gray)
0-65857-17051-1 (Ivory)

SKU Number

39144035 (Black)
39144023 (Gray)
39144009 (Ivory)

NOTE:

THIS INSTRUCTION BOOKLET
CONTAINS **IMPORTANT** SAFETY
INFORMATION. PLEASE READ AND
KEEP FOR FUTURE REFERENCE.

Lot number:

(TAKEN FROM CARTON)

Date of purchase:

____ / ____ / ____

DO NOT RETURN PRODUCT TO THE STORE.

If a part is missing or damaged, contact our customer service department. We will replace the part **FREE** of charge.



Tel #: 1-800-295-1980
E-Mail: das@dorel.com
Fax #: 514-353-7819



CUSTOMER SERVICE

If you are missing parts or have any questions about this product, contact our customer service representative first!



CALL 1-800-295-1980

You can also order parts by writing to the address listed below. Please include the product model number, color and a detailed description of the part.

**Customer Service Department No. 413
12345 Albert-Hudon Boulevard, Suite 100
Montreal, Quebec
Canada, H1G 3L1**

E-MAIL: das@dorel.com



WARNING

- * Failure to follow these warnings and assembly instructions could result in serious injury or death.
- * Read all instructions before assembling crib. **KEEP INSTRUCTIONS FOR FUTURE USE.**
- * Check this product for damaged hardware, loose joints, loose bolts or other fasteners, missing parts or sharp edges before assembly and frequently during use. Securely tighten loose bolts and other fasteners. **DO NOT** use crib if any parts are missing, damaged or broken. Contact a customer service representative at 1-800-295-1980 for replacement parts and instructional literature if needed. **DO NOT** substitute parts.
- * Infants can suffocate on soft bedding. Never add a pillow or comforter. Never place additional padding under an infant.
- * Stop using the crib when child begins to climb out or reaches the height of 35 inches (89 cm).
- * To reduce the risk of SIDS, pediatricians recommend healthy infants be placed on their backs to sleep, unless otherwise advised by your physician.
- * **DO NOT** place crib near window where cords from blinds or drapes may strangle a child.
- * Strings can cause strangulation! **DO NOT** place items with a string around a child's neck, such as hood strings or pacifier cords. **DO NOT** suspend strings over a crib or attach strings to toys.
- * To help prevent strangulation tighten all fasteners. A child can trap parts of the body or clothing on loose fasteners.
- * If refinishing, use a non-toxic finish specified for children's products.
- * When child is able to pull to standing position, set mattress to lowest position and remove bumper pads, large toys and other objects that could serve as steps for climbing out.
- * Never use plastic shipping bags or other plastic film as mattress covers because they can cause suffocation.
- * Replace teething rail if damaged or loose (if teething rail is provided for this model).
- * **CAUTION: ANY MATTRESS USED IN THIS CRIB MUST BE AT LEAST 27-1/4 INCHES BY 51-5/8 INCHES (69CM BY 131CM) WITH A THICKNESS NOT EXCEEDING 6 INCHES (15CM).**
- * Infants can suffocate in gaps between crib sides and a mattress that is too small.
- * Follow warnings on all products in a crib.
- * **INFANTS HAVE DIED IN TODDLER BEDS FROM ENTRAPMENT.** Openings in and between bed parts can entrap head and neck of a small child.
- * NEVER use bed with children under 15 months or over 50 lbs.
- * ALWAYS follow assembly instructions.
- * **STRANGUALTION HAZARD.** NEVER place bed near windows where cords from blinds or drapes may strangle a child.
- * NEVER suspend strings over a bed.
- * NEVER place items with a string, cord, or ribbon around a child's neck, such as hood strings or pacifier cords. These items can catch on bed parts.
- * **CAUTION**
ENTRAPMENT HAZARD. To avoid dangerous gaps, any mattress used on this bed shall be a full-size crib mattress at least 51-5/8 inches (1310 mm) in length, 27-1/4 inches (690 mm) in width, and a max thickness of 6 inches (150 mm).

NOTES

- * Ensure all parts and components are present before beginning assembly.
- * Assemble on a soft, smooth surface to prevent damage to product finish.
- * Phillips head screw driver is not included.
- * **DO NOT** use power tools.
- * **CAUTIONS:** Adult assembly required.
- * Assembly will require two people.
- * Estimated assembly time: 30 minutes.

CARE AND CLEANING

Dust regularly with a soft, lint-free cloth to prevent soil build-up. A damp cloth may be used occasionally to clean surface. Dry immediately. Do not use any abrasives that may damage finish. Excessive exposure to sunlight and extreme changes in temperature and moisture can damage wood furniture.

MAINTENANCE

Check bolts/screws periodically and tighten them if necessary.

LIMITED WARRANTY

Dorel warrants its product to be free from defects in material and workmanship and agrees to remedy any such defect. This warranty covers 1 year from the date of original purchase. This warranty is valid only upon presentation of proof of purchase. This is solely limited to the repair or replacement of defective furniture components and no assembly labor is included. This warranty does not apply to any product which has been improperly assembled, subjected to misuse or abuse or which has been altered or repaired in any way. This warranty gives you specific legal rights and you may also have other rights which vary from State to State.

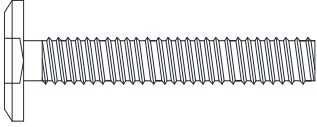
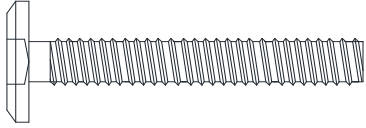
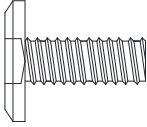
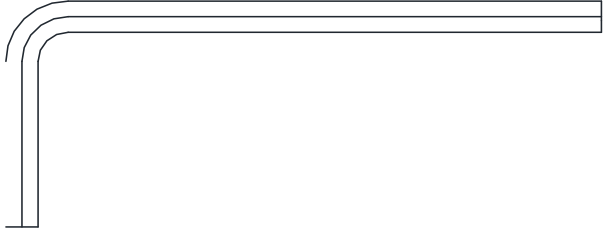





WARNING: Should this product become damaged, and/or components are broken or missing, DO NOT USE.

JACKLYN 5 IN 1 CRIB

DA1504B4-B / DA1504B4-G / DA1504B4-V

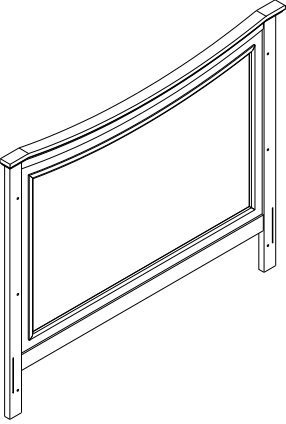
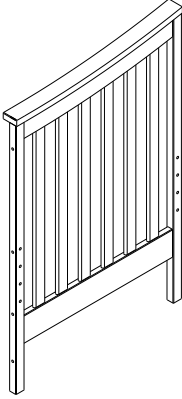
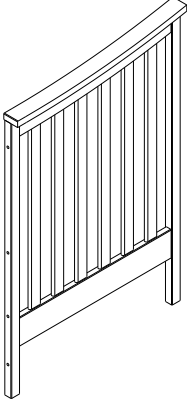
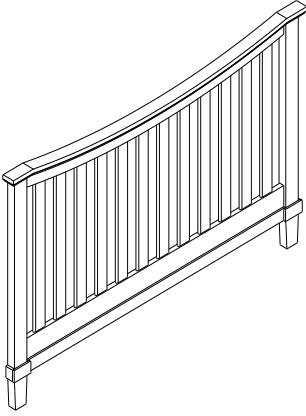
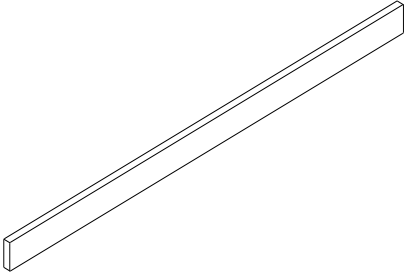
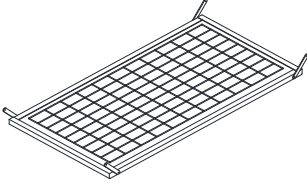
HARDWARE LIST

<div style="border: 1px solid black; padding: 5px; width: 40px; float: left; text-align: center; font-weight: bold;">1</div> <div style="text-align: center; margin-top: 20px;">  </div> <p style="text-align: center; margin-top: 10px;">Ø1/4" X 15mm X 35mm</p>	<div style="border: 1px solid black; padding: 5px; width: 40px; float: left; text-align: center; font-weight: bold;">2</div> <div style="text-align: center; margin-top: 20px;">  </div> <p style="text-align: center; margin-top: 10px;">Ø1/4" X 15mm X 40mm</p>
BOLT 6 PCS	BOLT 8 PCS
<div style="border: 1px solid black; padding: 5px; width: 40px; float: left; text-align: center; font-weight: bold;">3</div> <div style="text-align: center; margin-top: 20px;">  </div> <p style="text-align: center; margin-top: 10px;">Ø1/4" X 15mm X 15mm</p>	<div style="border: 1px solid black; padding: 5px; width: 40px; float: left; text-align: center; font-weight: bold;">4</div> <div style="text-align: center; margin-top: 20px;">  </div>
MATTRESS SUPPORT BOLT 16 PCS	ALLEN KEY 1 PC
<div style="border: 1px solid black; padding: 5px; width: 40px; float: left; text-align: center; font-weight: bold;">5</div> <div style="text-align: center; margin-top: 20px;">  </div> <p style="text-align: center; margin-top: 10px;">Ø1/4" X 11 X 1.2mmT</p>	<div style="border: 1px solid black; padding: 5px; width: 40px; float: left; text-align: center; font-weight: bold;">6</div> <div style="text-align: center; margin-top: 20px;">  </div> <p style="text-align: center; margin-top: 10px;">Ø5/16" X 13 X 1.5mmT</p>
SPRING WASHER 16 PCS	SPRING WASHER 14 PCS
<div style="border: 1px solid black; padding: 5px; width: 40px; float: left; text-align: center; font-weight: bold;">7</div> <div style="text-align: center; margin-top: 20px;">  </div> <p style="text-align: center; margin-top: 10px;">Ø8mm X 30mm</p>	
WOOD DOWEL 2 PCS	

JACLYN 5 IN 1 CRIB

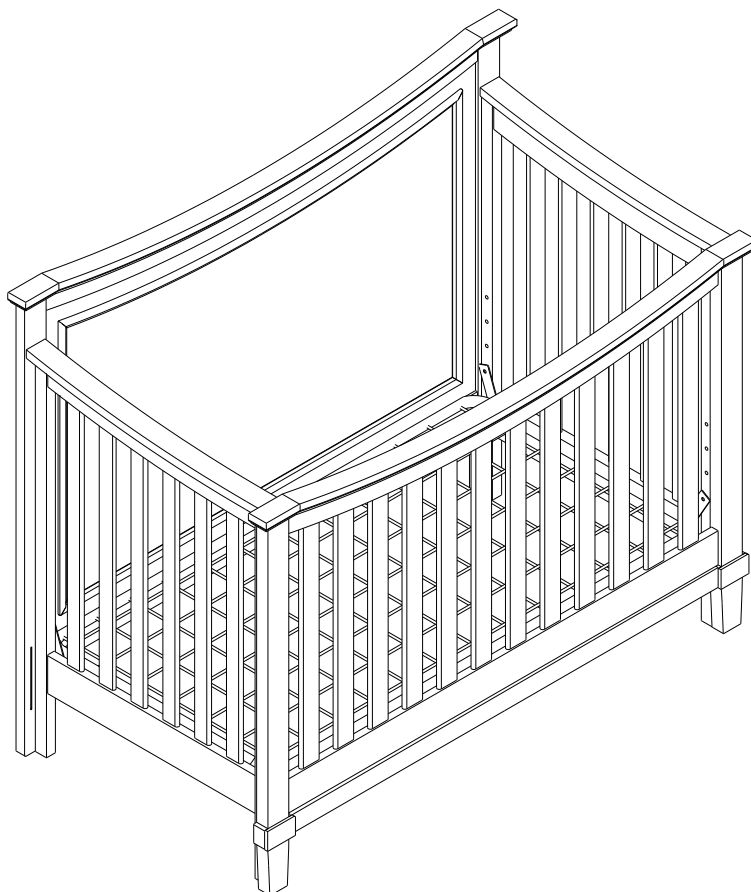
DA1504B4-B / DA1504B4-G / DA1504B4-V

PARTS LIST

A 	B 	C 
HEADBOARD 1 PC	LEFT SIDE PANEL 1 PC	RIGHT SIDE PANEL 1 PC
D 	E 	F 
FRONT PANEL 1 PC	BOTTOM RAIL 1 PC	MATTRESS SUPPORT 1 PC

JACLYN 5 IN 1 CRIB

DA1504B4-B / DA1504B4-G / DA1504B4-V



CRIB ASSEMBLY INSTRUCTION

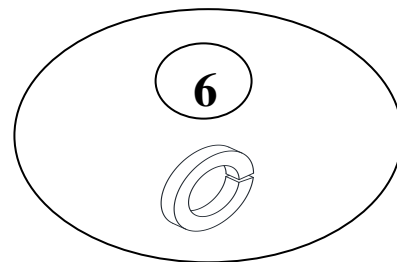
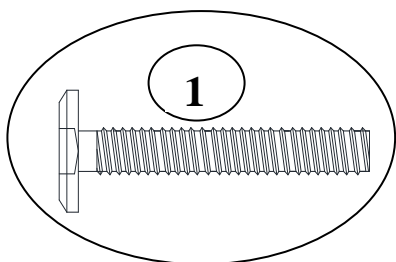
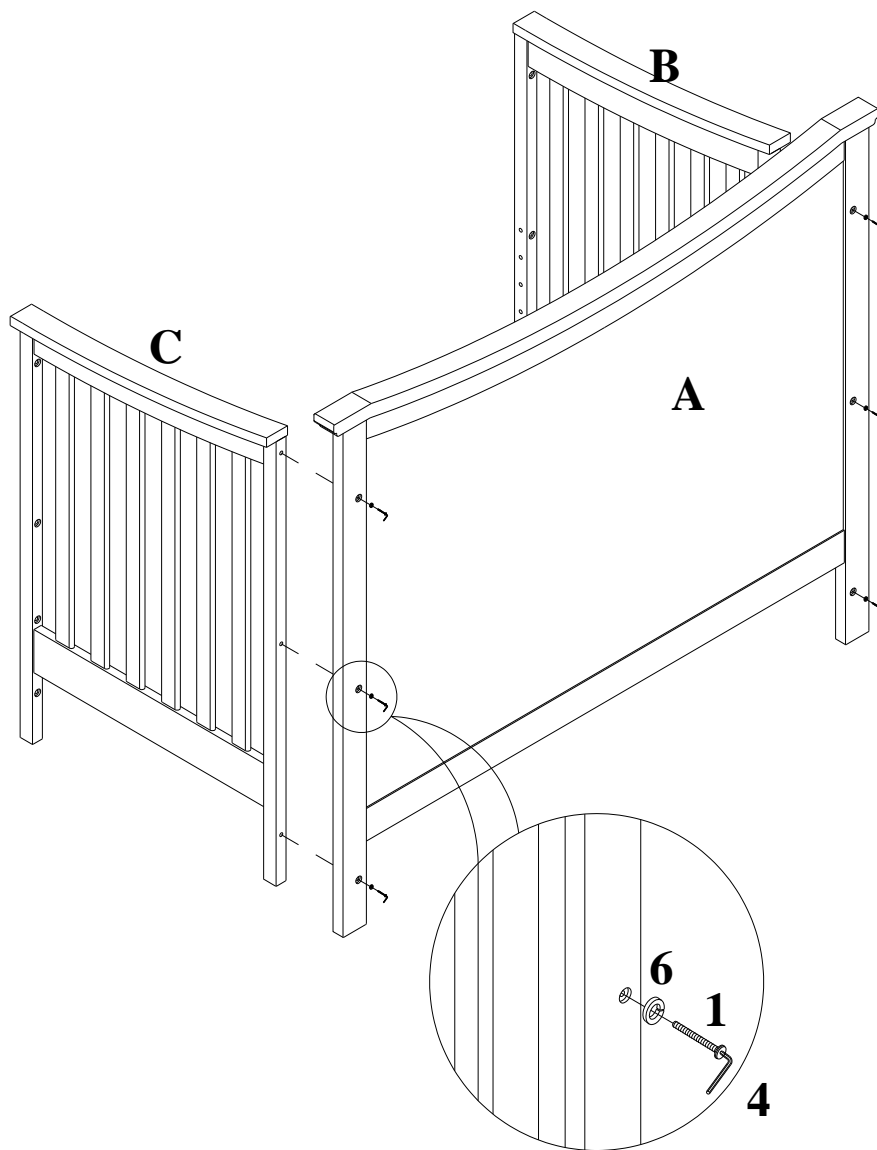
NOTE: When inserting bolts, turn clockwise until tight. Then loosen 1/2 - 3/4 of a turn. After crib is completely assembled, return to each bolt and tighten. Use wax or soap on all bolts to facilitate assembly.

JACLYN 5 IN 1 CRIB

DA1504B4-B / DA1504B4-G / DA1504B4-V

STEP 1

Attach left side panel (B) and right side panel (C) to headboard (A) with bolts (1) and spring washers (6). Use Allen Key (4) to tighten the bolts.

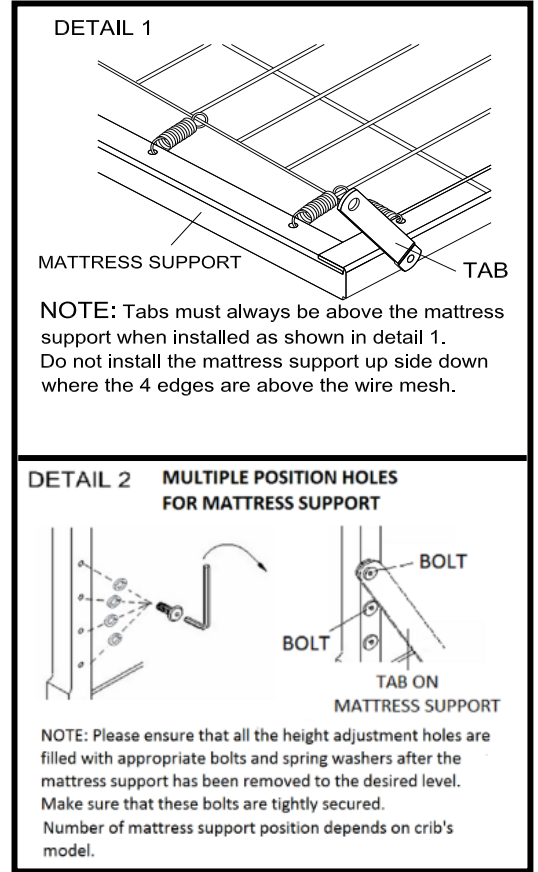
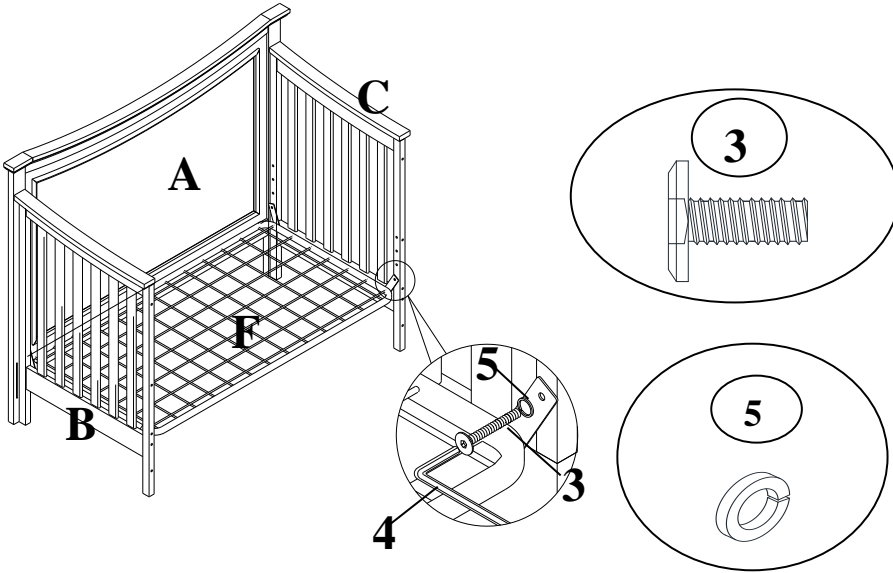


JACLYN 5 IN 1 CRIB

DA1504B4-B / DA1504B4-G / DA1504B4-V

STEP 2

Attach mattress support (F) to the headboard (A) and side panels (B) & (C) with mattress support bolts (3) and spring washers (5).
Use Allen key (4) to tighten the bolts (3).



CORRECT
"THIS SIDE UP"
label shows which
side to face



CORRECT
* Tabs on corners of
mattress support should
point up.

NOTE: The above photos and drawings showing how to properly attach the mattress support are for reference only. Crib styles and colors will vary.

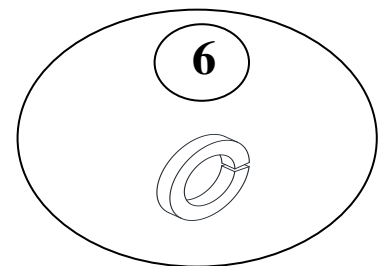
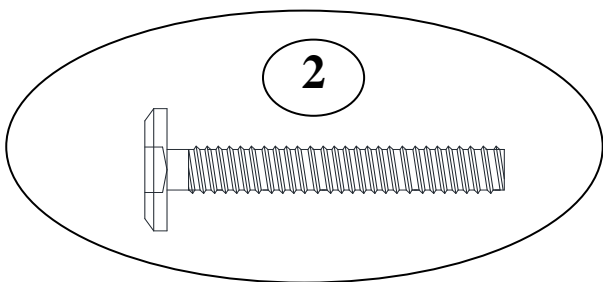
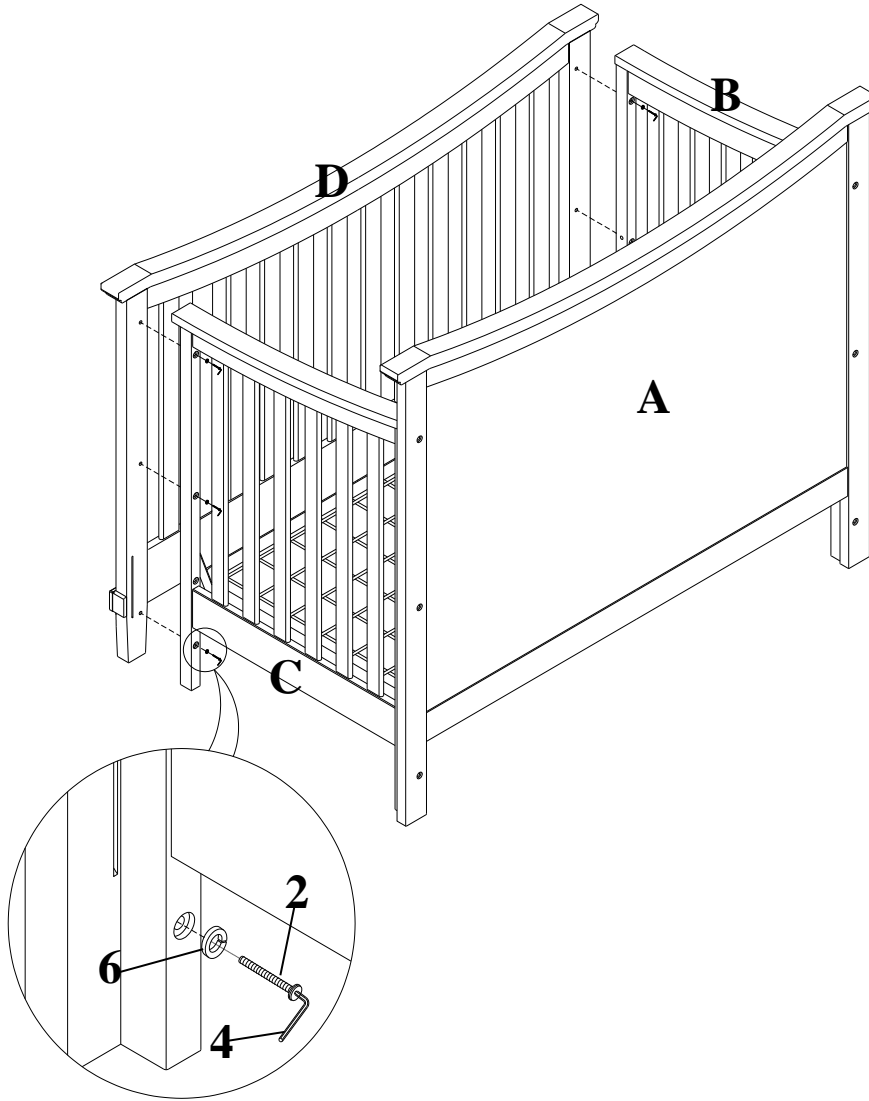
JACLYN 5 IN 1 CRIB

DA1504B4-B / DA1504B4-G / DA1504B4-V

STEP 3

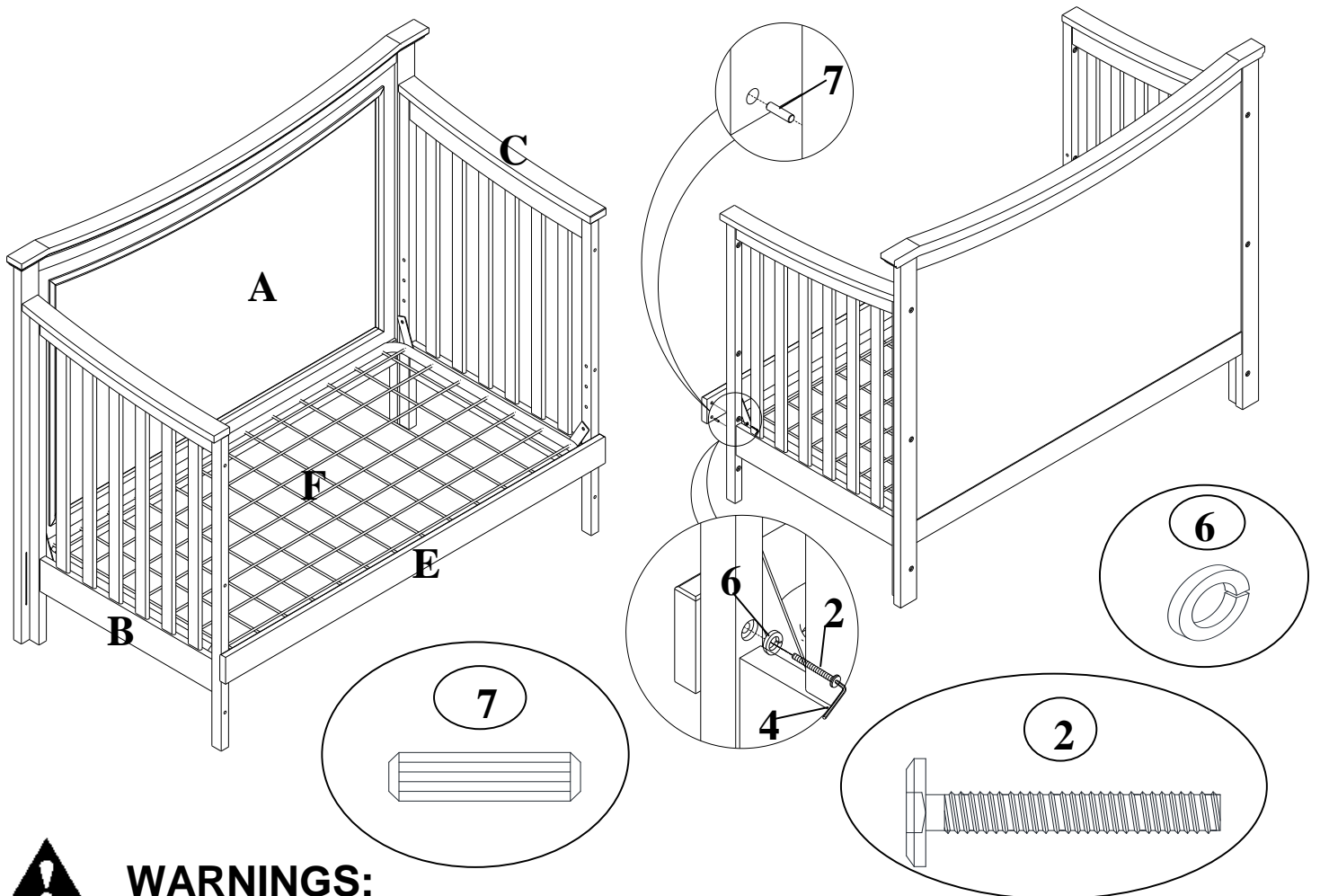
Attach front panel (D) to the left and right side panels (B) & (C) with bolts (2) and spring washers (6) as shown.

Use Allen key (4) to tighten bolts (2).



JACLYN 5 IN 1 CRIB

DA1504B4-B / DA1504B4-G / DA1504B4-V



WARNINGS:

- * ANY MATTRESS USED IN THIS CRIB MUST BE AT LEAST 27-1/4 INCHES BY 51-5/8 INCHES (69CM BY 131CM) WITH A THICKNESS NOT EXCEEDING 6 INCHES (15CM).
- * The toddler bed or day bed is not intended for children under 15 months of age or over 50 lbs (22.7 kgs).

TODDLER BED & DAY BED ASSEMBLY: STARTING FROM CRIB

STEP 1: Detach the front panel (D) from the side panels (B & C) with Allen Key (4).

STEP 2: If mattress support (F) is not in the lowest position, unscrew bolts (1) from left & right front posts (B & C) and move to the lowest position.

STEP 3: Attach bottom rail (E) to side panels (B & C) using wood dowel (7), bolts (2) and spring washers (6). Use Allen Key (4) to tighten all bolts.

STEP 4: Ensure all bolts are tightly secured.

TODDLER BED & DAY BED ASSEMBLY: STARTING FROM SCRATCH

STEP 1: Follow steps 1 to 2 of the crib assembly instruction.

STEP 2: Follow steps 2 to 3 for the day bed assembly instruction located above (starting from crib).

JACLYN 5 IN 1 CRIB

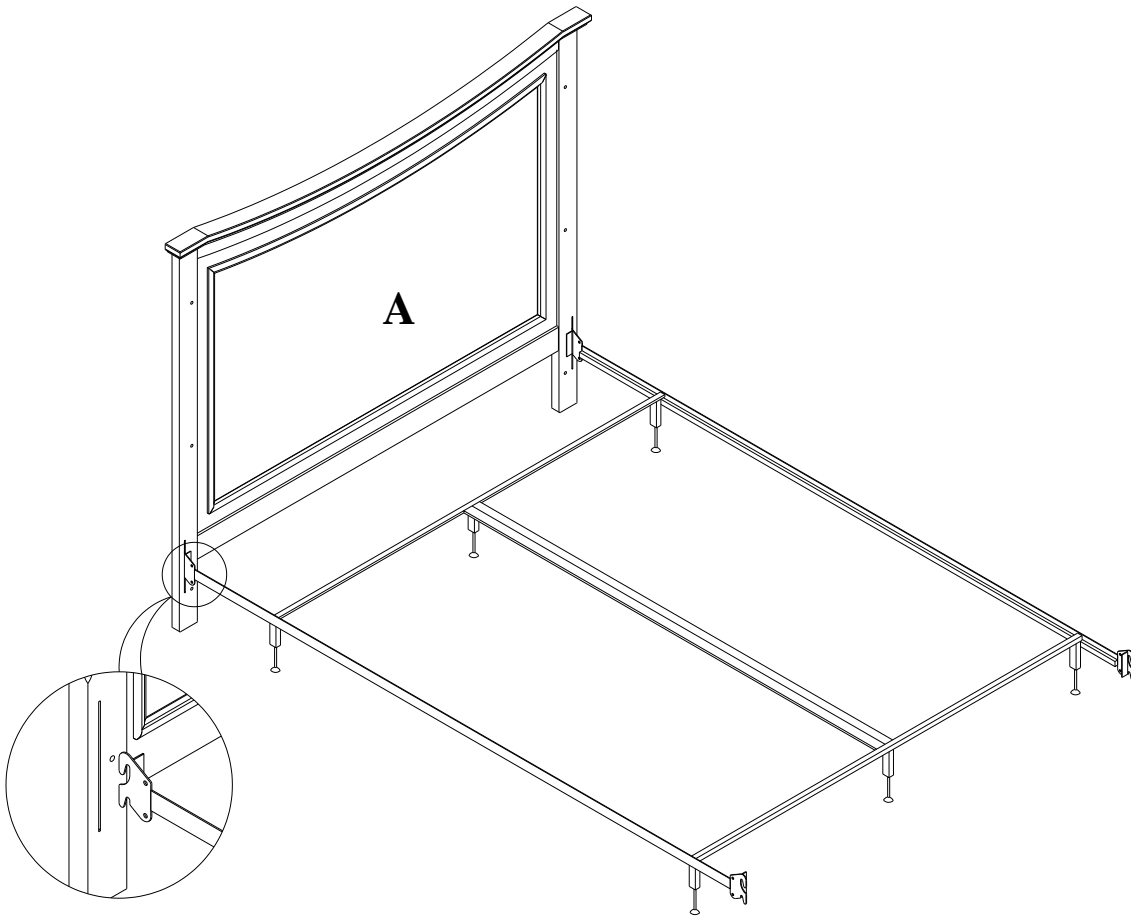
DA1504B4-B / DA1504B4-G / DA1504B4-V

FULL SIZE BED ASSEMBLY INSTRUCTION (HEADBOARD ONLY)

NOTE: FULL SIZE CONVERSION RAILS ARE NOT INCLUDED. DIAGRAMS ARE FOR REFERENCE ONLY. BED RAILS MAY DIFFER FROM ILLUSTRATION.

STEP 1

Attach a metal bedframe (not included) to the headboard (A) to convert your crib into a full size bed using the headboard only.



IMPORTANT: STORE ALL EXTRA PARTS THAT YOU ARE NOT USING FOR POSSIBLE FUTURE USE AS YOU MAY WISH TO CONVERT AGAIN. ALWAYS STORE THE ASSEMBLY INSTRUCTIONS IN THE POUCH ATTACHED TO THE MATTRESS SUPPORT (F).

JACLYN 5 IN 1 CRIB

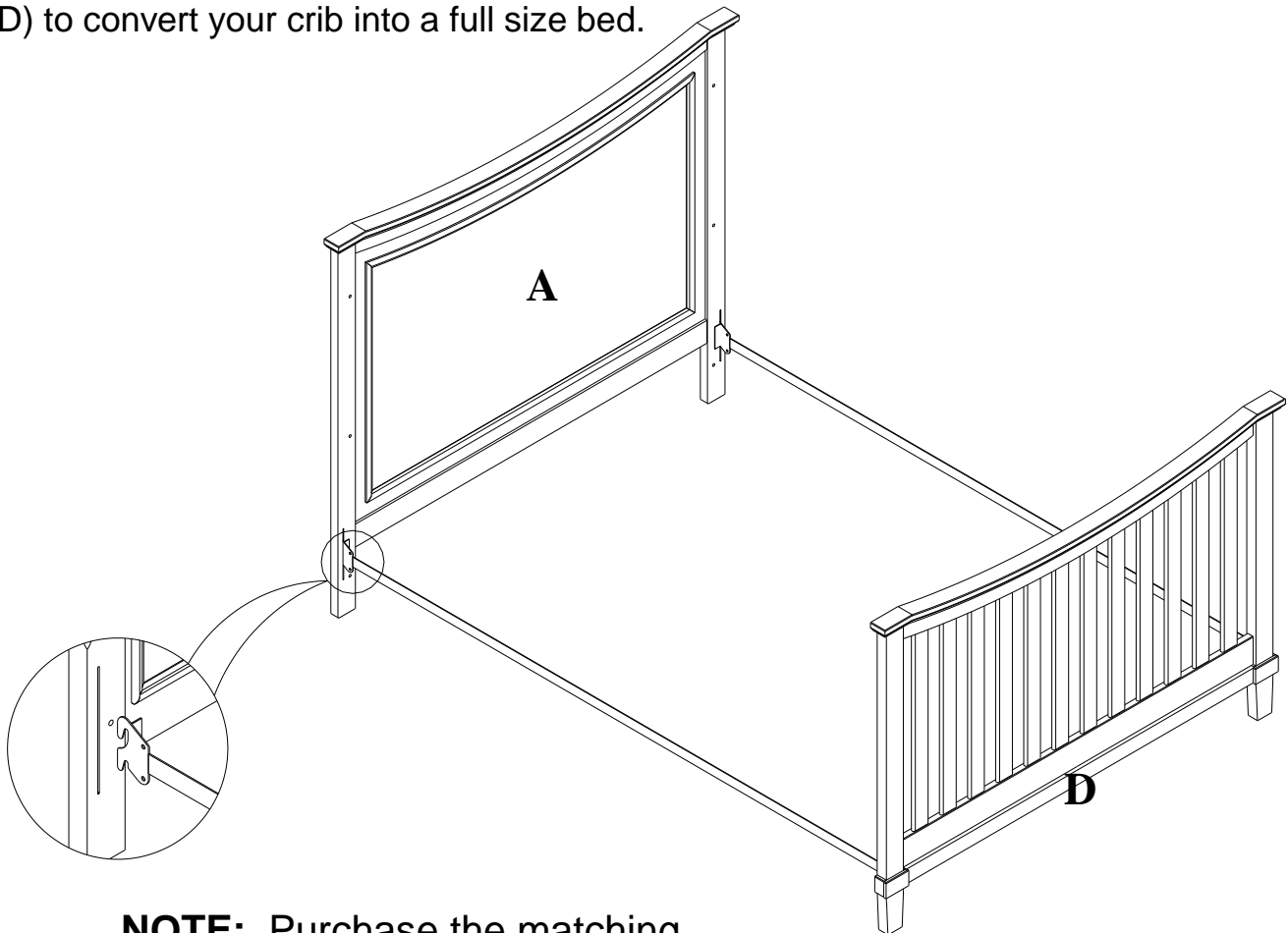
DA1504B4-B / DA1504B4-G / DA1504B4-V

FULL SIZE BED ASSEMBLY INSTRUCTION (HEADBOARD AND FOOTBOARD)

NOTE: FULL SIZE CONVERSION RAILS ARE NOT INCLUDED. DIAGRAMS ARE FOR REFERENCE ONLY. BED RAILS MAY DIFFER FROM ILLUSTRATION.

STEP 1

Attach standard size metal bedrails (not included) to headboard (A) and front panel (D) to convert your crib into a full size bed.



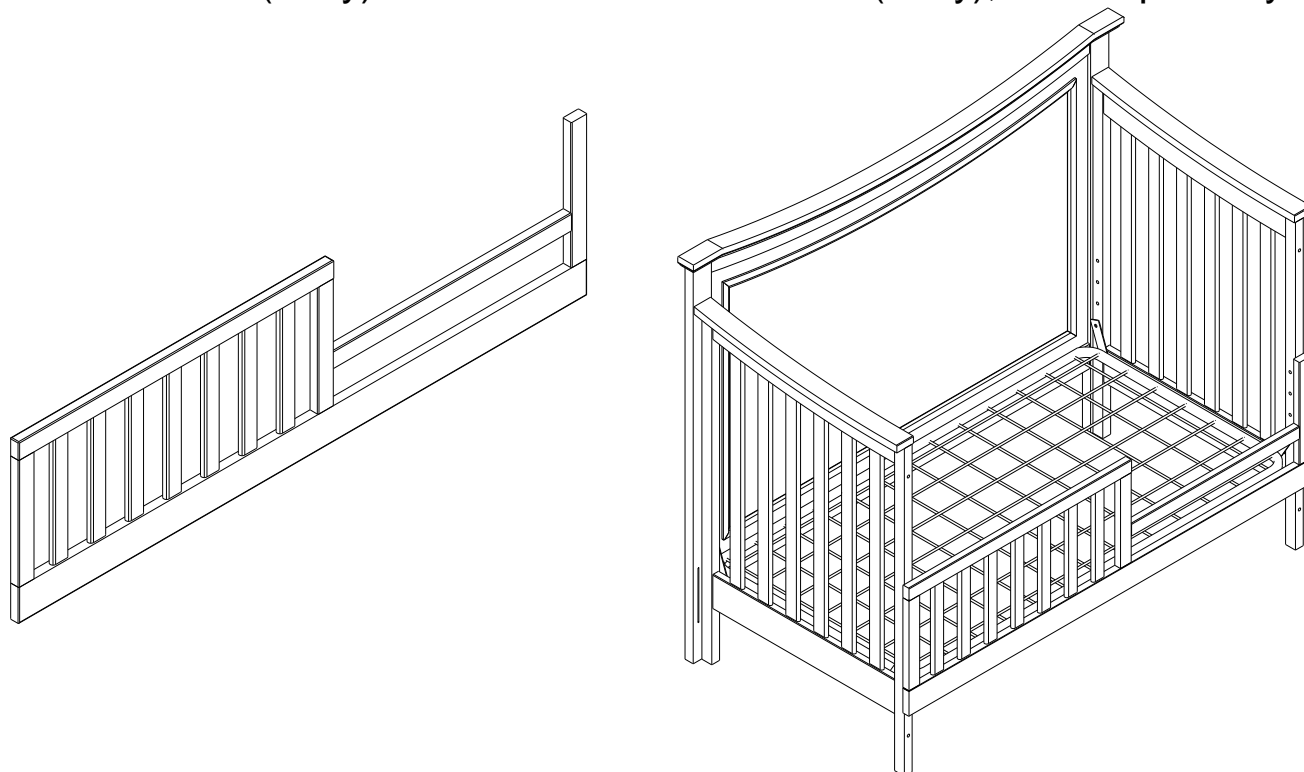
NOTE: Purchase the matching Wooden Bedrails for a coordinated look. See next page for details!

IMPORTANT: STORE ALL EXTRA PARTS THAT YOU ARE NOT USING FOR POSSIBLE FUTURE USE AS YOU MAY WISH TO CONVERT AGAIN. ALWAYS STORE THE ASSEMBLY INSTRUCTIONS IN THE POUCH ATTACHED TO THE MATTRESS SUPPORT (F).

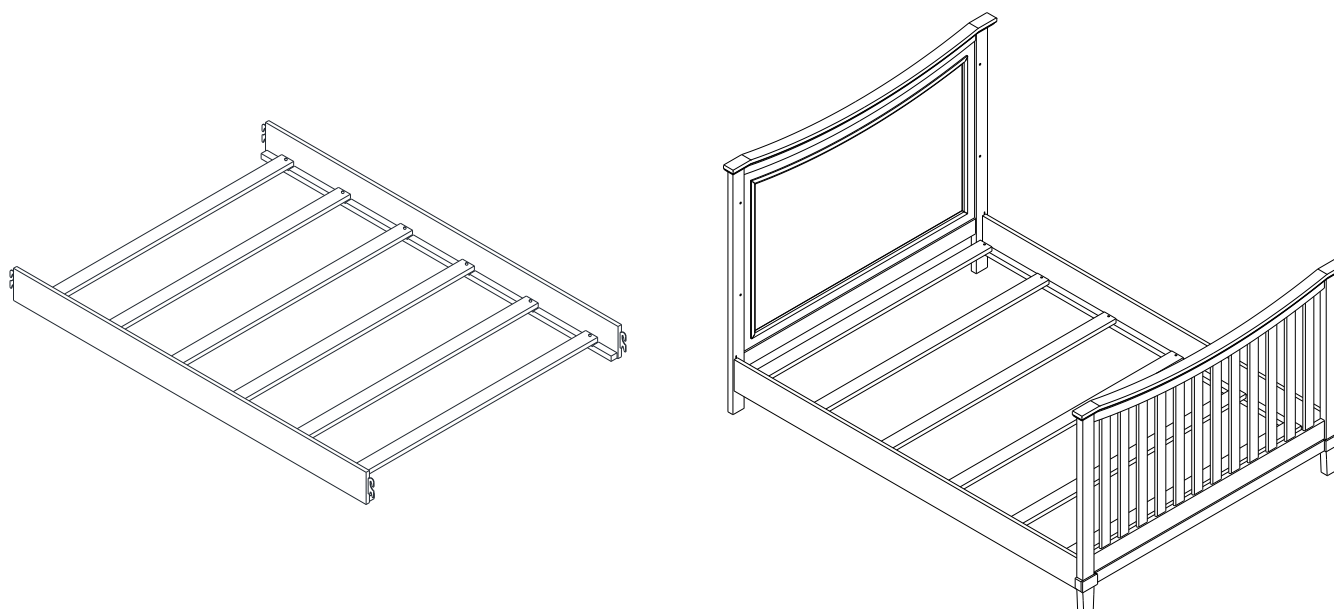
JACLYN 5 IN 1 CRIB

DA1504B4-B / DA1504B4-G / DA1504B4-V

Convert your crib into a toddler bed with the Toddler Bed Rail Conversion kit-model / SKU numbers DA1303-5-B / 39226988 (Black), DA1504-5-G / 39244025 (Gray) or DA1504-5-I / 39244001 (Ivory), sold separately.



Convert your crib into a full size platform bed with the Bedrails-model / SKU numbers DA1303-8-B / 39326980 (Black), DA1504-8-G / 39344027 (Gray) or DA1504-8-I / 39344003 (Ivory), sold separately.



JACLYN 5 IN 1 CRIB

DA1504B4-B / DA1504B4-G / DA1504B4-V

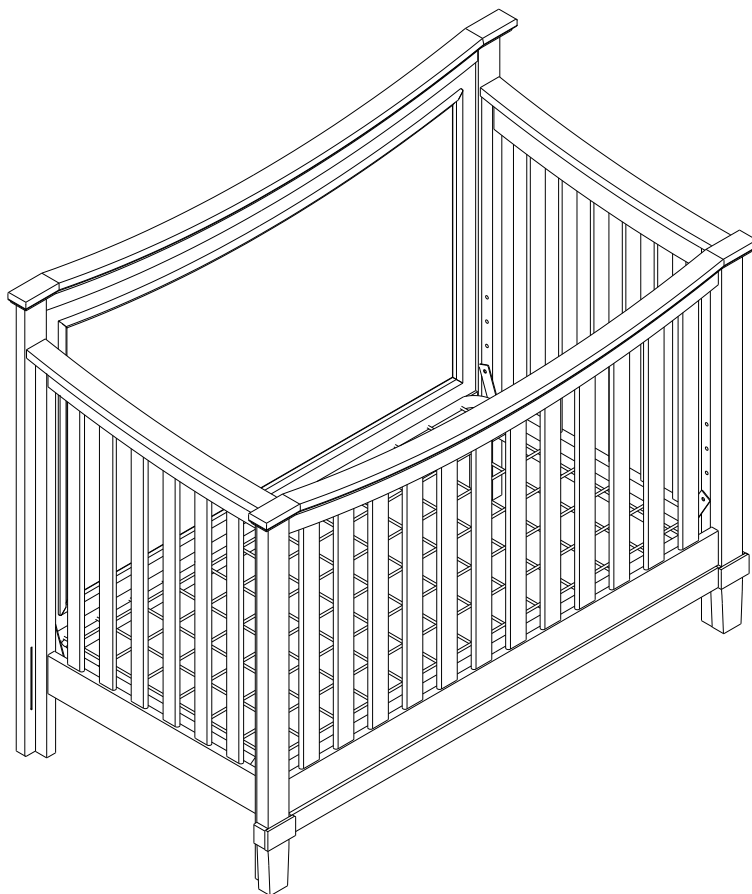


CAUTION: This unit is intended for use only with the products and/or maximum weights indicated. Use with other products and/or products heavier than the maximum weights indicated may result in instability or cause possible injury.

ANY MATTRESS USED IN THIS CRIB MUST BE AT LEAST 27-1/4 INCHES BY 51-5/8 INCHES (69CM BY 131CM) WITH A THICKNESS NOT EXCEEDING 6 INCHES (15CM).

Stop using crib when child begins to climb out or reaches the height of 35 inches (89 cm).

The TODDLER BED or DAY BED is not intended for children under 15 months of age or over 50 pounds (22.7 kgs).



That's it ! You've finished assembling your 5 in 1 convertible crib!

DO NOT RETURN PRODUCT TO THE STORE.

If a part is missing or damaged, contact our customer service department. We will replace the part **FREE** of charge.



Tel #: 1-800-295-1980
E-Mail: das@dorel.com
Fax #: 514-353-7819

Customer Service

PLEASE DO NOT RETURN THIS PRODUCT TO THE STORE

PLEASE CONTACT CUSTOMER SERVICE REPRESENTATIVES AT THE FOLLOWING NUMBERS SHOULD THERE BE ANY MISSING OR DEFECTIVE PART(S).

Customer Service Phone Number 1-800-295-1980

Email: das@dorel.com

Customer Service Fax Number 514-353-7819

Request Date:

Name:

Shipping Address:

Street & Number:

City & State:

Zip Code:

Day Time Phone Number:

(including area code)

Date & Place of Purchase:

Part(s) description and quantity: (Please be sure to list model number or SKN number)

Customer Service Representative Mailing Address:

Customer Service Department No. 413, 12345 Albert-Hudon Boulevard, Suite 100, Montreal, QC, Canada, H1G 3L1