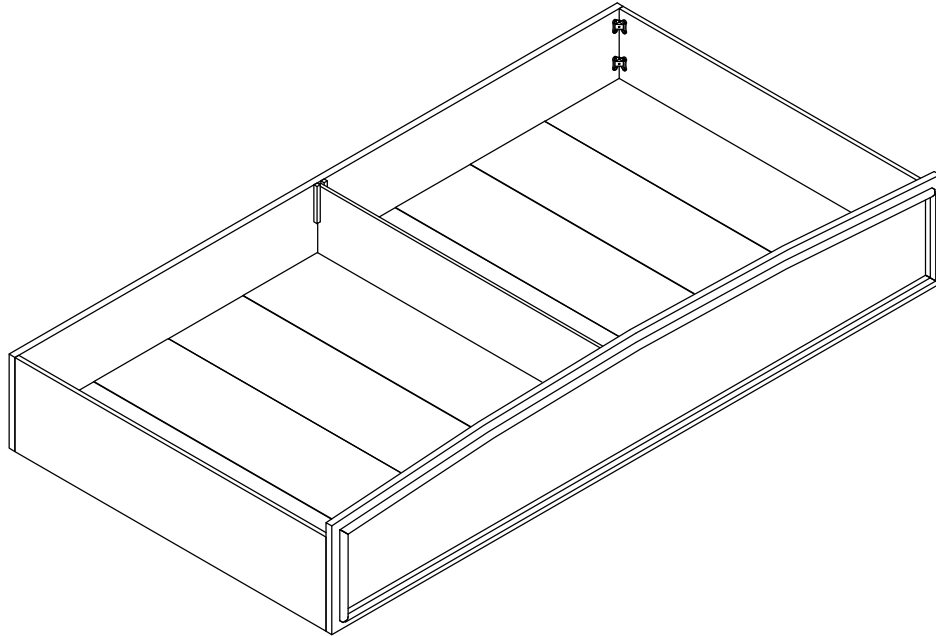


992/999 TWIN SLEIGH STORAGE TRUNDLE



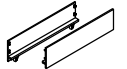
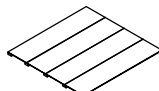
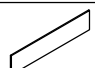


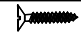


RTG SKU	STYLE #	COLOR	DESCRIPTION
39309922	992-01-4A	WHITE	TWIN SLEIGH STORAGE TRUNDLE
39309996	999-01-4A	SILVER	TWIN SLEIGH STORAGE TRUNDLE

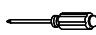
This product is manufactured by **GLOB** for

ROOMS TO GO | **KIDS™**

DO NOT USE SUBSTITUTE PARTS. PLEASE CONTACT YOUR RETAIL STORE OR WWW.ROOMSTOGO.COM WITH SERVICE OR PARTS REPLACEMENT REQUEST

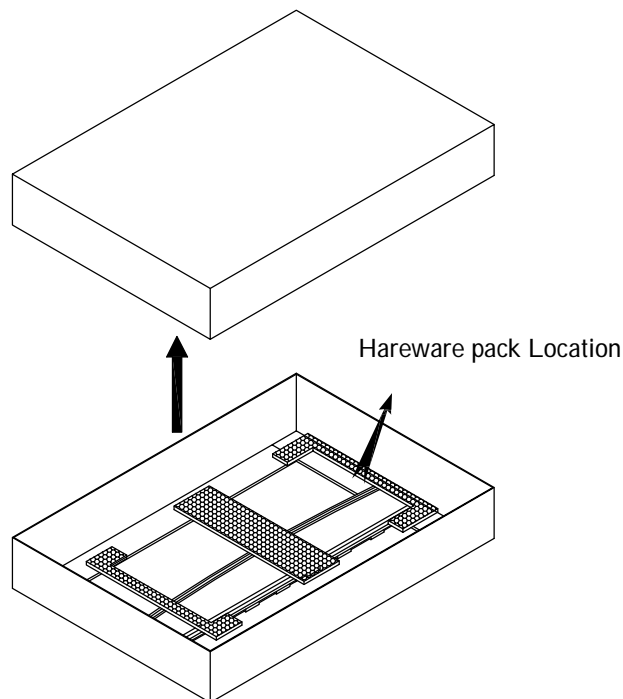
PARTS LIST :			
Parts	Picture	Description	Q'ty
A		Front Panel	1Pc
B		Back Panel	1Pc
C		Side Panel	2Pcs
D		Bottom Panel	2Pcs
E		Partition	1Pc

HARDWARE LIST			Q'TY
1		1/4"x7/8"x5/8" Screw	6Pcs
2		" L " Plastic Plate	2Pcs
3		Steel Rod	1Pc

HARDWARE REQUIRED	
	Screw driver (Not Included)

Hardware Pack Locations:

RTG SKU	STYLE #	COLOR	DESCRIPTION
39309922	992-01-4A	WHITE	TWIN SLEIGH STORAGE TRUNDLE
39309996	999-01-4A	SILVER	TWIN SLEIGH STORAGE TRUNDLE



This product is manufactured by GLOB for

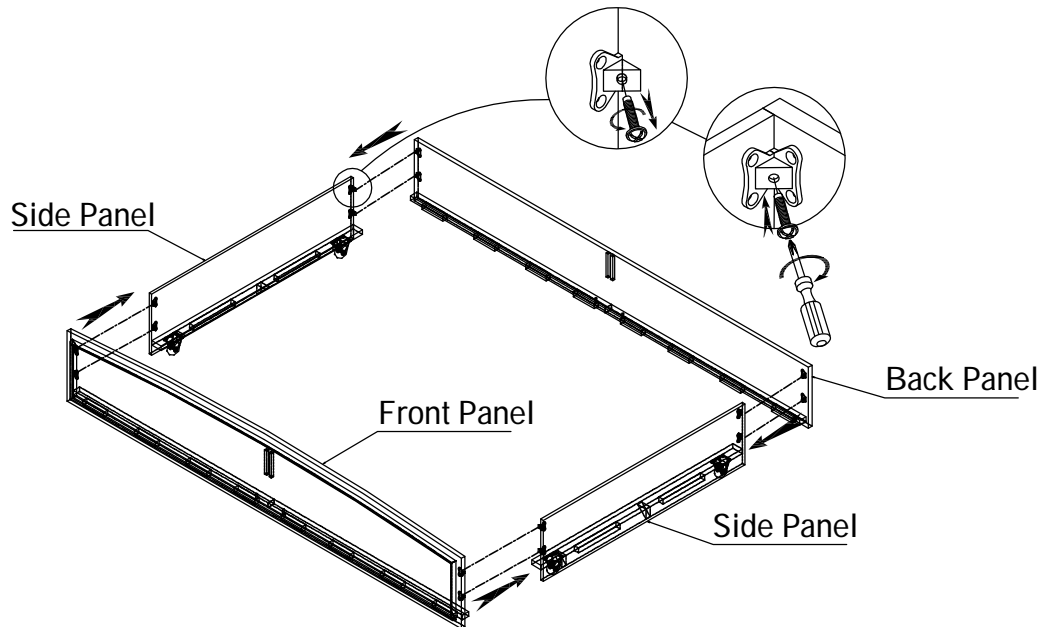
ROOMS TO GO | **KIDS™**

DO NOT USE SUBSTITUTE PARTS. PLEASE CONTACT YOUR RETAIL STORE OR WWW.ROOMSTOGO.COM WITH SERVICE OR PARTS REPLACEMENT REQUEST

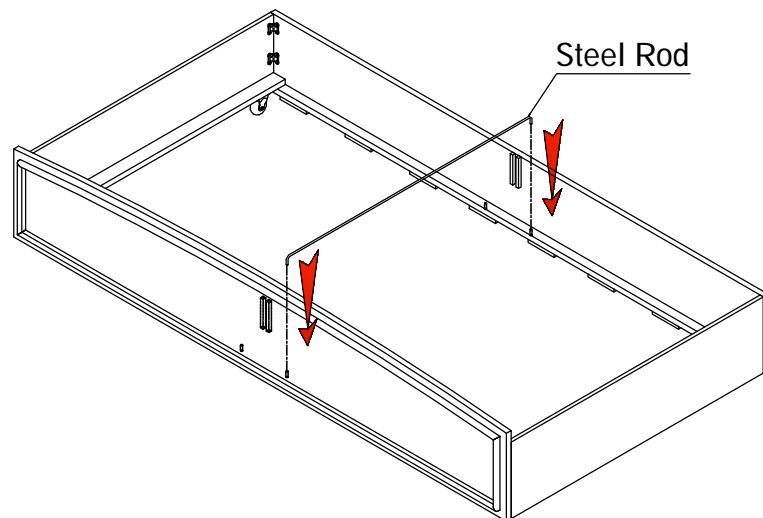
Thank you for purchasing this quality product. Be sure to check all packing materials carefully for small parts which may have come loose inside the carton during shipment. Identify and count all parts and compare with the parts list. Read all instructions before assembling furniture and keep these instructions for future reference.

ASSEMBLY INSTRUCTION

Step-1



Step-2



This product is manufactured by GLOB for

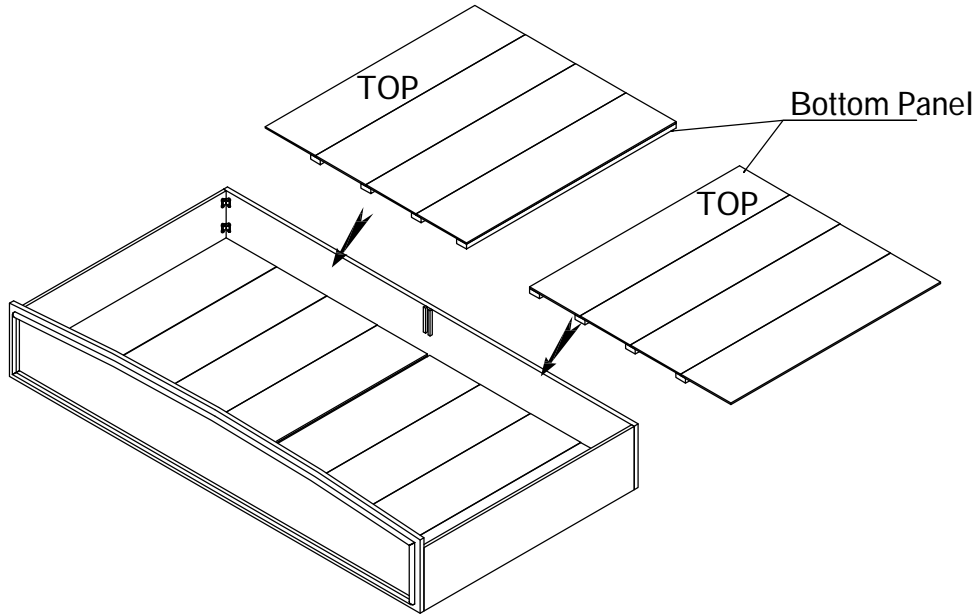
ROOMS TO GO

KIDS™

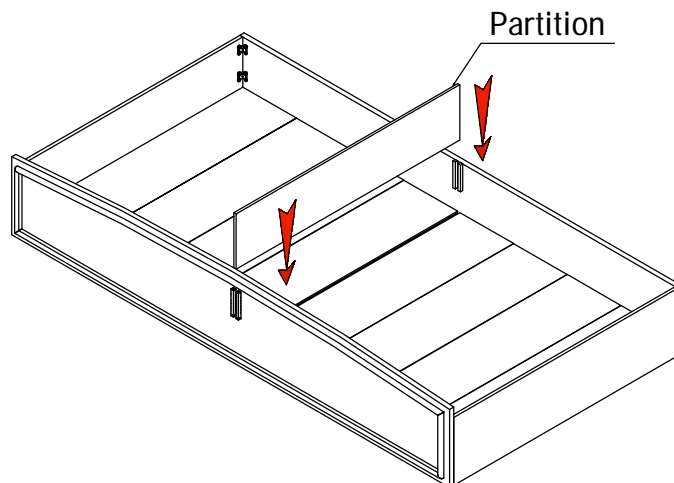
DO NOT USE SUBSTITUTE PARTS. PLEASE CONTACT YOUR RETAIL STORE OR WWW.ROOMSTOGO.COM WITH SERVICE OR PARTS REPLACEMENT REQUEST

ASSEMBLY INSTRUCTION

Step-3



Step-4



This product is manufactured by GLOB for

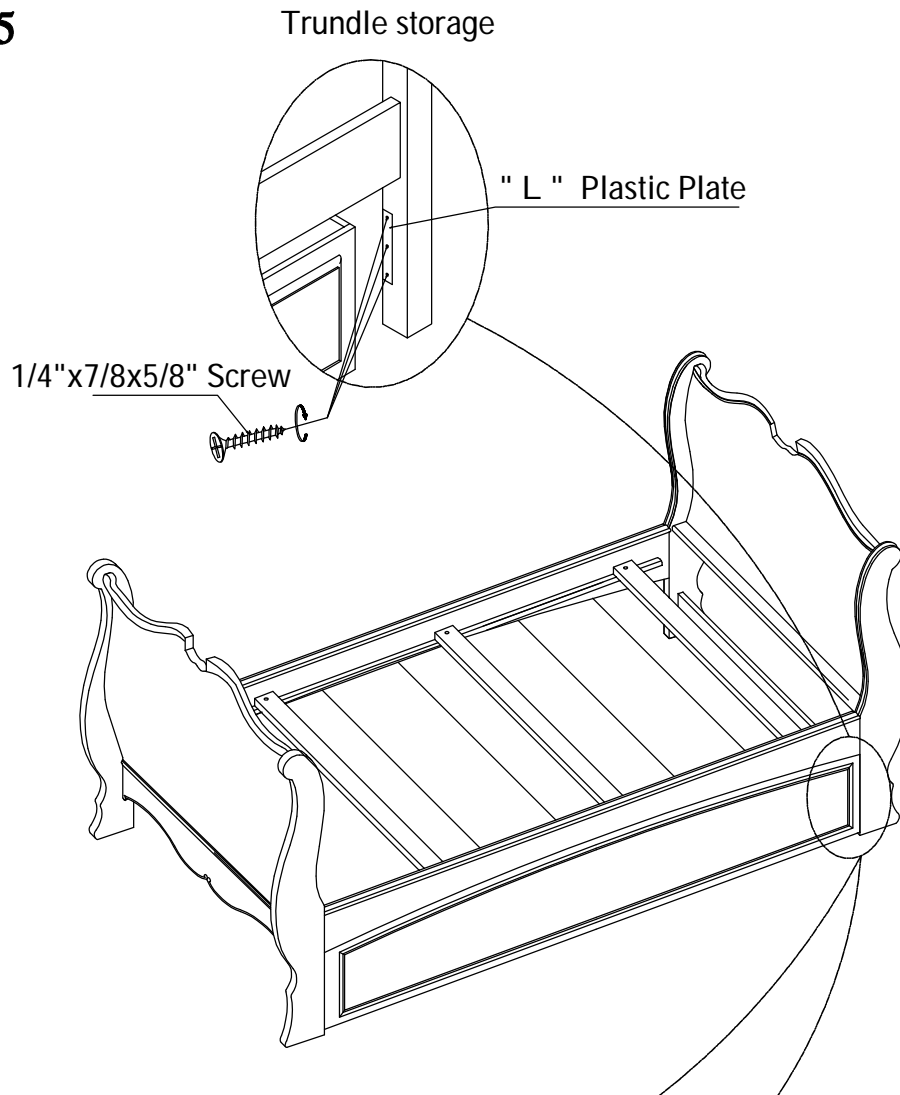
ROOMS TO GO

KIDS™

DO NOT USE SUBSTITUTE PARTS. PLEASE CONTACT YOUR RETAIL STORE OR WWW.ROOMSTOGO.COM WITH SERVICE OR PARTS REPLACEMENT REQUEST

ASSEMBLY INSTRUCTION

Step-5



NOTE:
When using a storage trundle,
please install the enclosed plastic corner protectors
to protect the bed posts from dents and scratches.

This product is manufactured by GLOB for

ROOMS TO GO

KIDS™

DO NOT USE SUBSTITUTE PARTS. PLEASE CONTACT YOUR RETAIL STORE OR WWW.ROOMSTOGO.COM
WITH SERVICE OR PARTS REPLACEMENT REQUEST