

WOODLAND ADVENTURES

Full Rail

Model: DP-BR-3107RR-ELM
(BR-3107RR)

Assembly Instruction

Congratulations on your purchase of a Westwood product. We take great pride in the quality and design of our furniture. It is important that you read these instructions carefully and completely to ensure that this product functions as it was designed.

After opening the package, check to see that all the parts are present. If you think something is missing, please contact your retailer, and they can arrange to have the missing parts quickly replaced. You can also contact us directly, by calling 1-908-719-4707, or emailing support@westwoodbaby.com

If any aspect of these instructions is unclear, please contact your retailer or Westwood Design for assistance.

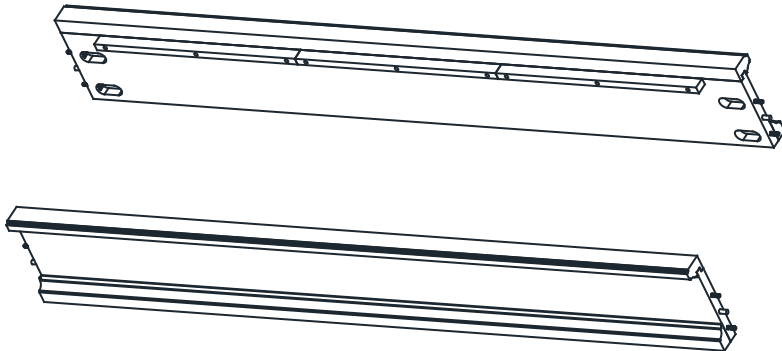


635 N. Billy Mitchell Rd.,
Salt Lake City, UT 84116
Phone: 908-719-4707

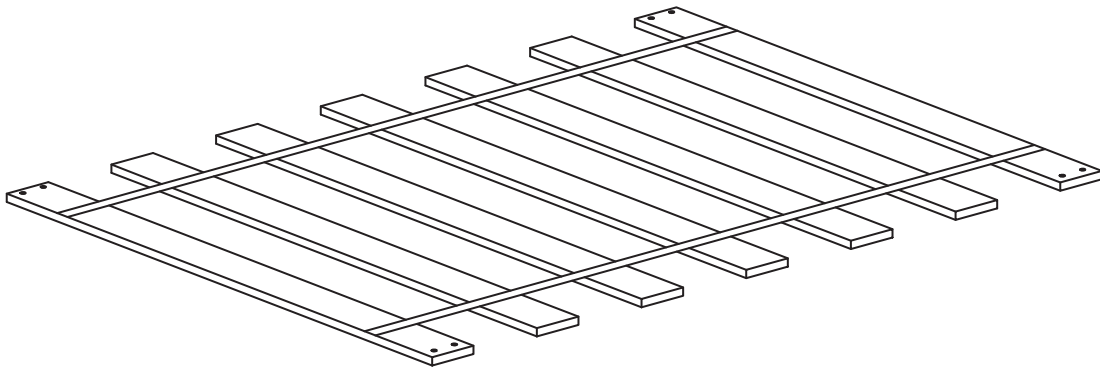
www.westwoodbaby.com

Parts & Hardware Included

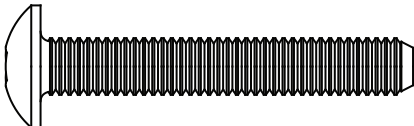
A Bed Rails



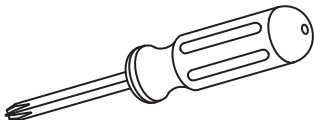
B Slat Rolls



C Allen Bolt 2" (x8)



Tool required - Screwdriver - Not provided



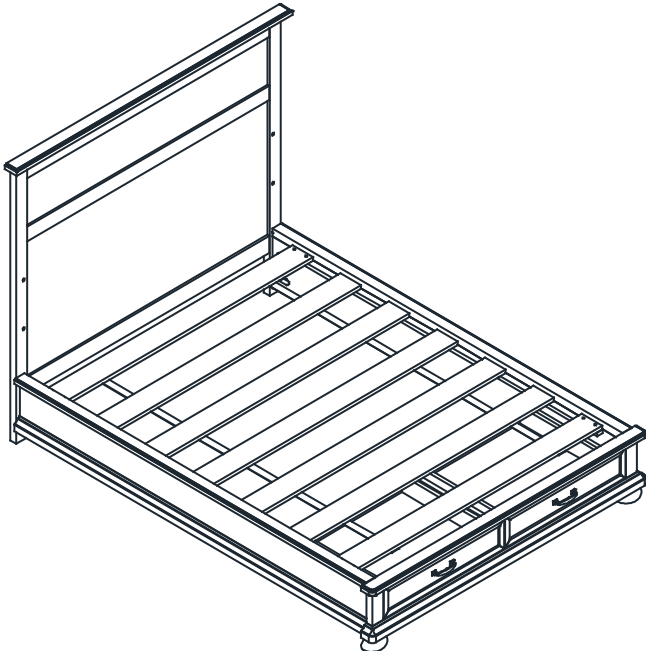
D Half Washer (x8)



E Wood Screw 1 1/4" (x8)



F Allen Wrench



Required Parts & Hardware



(C) Allen Bolt 2" (x8)

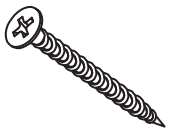
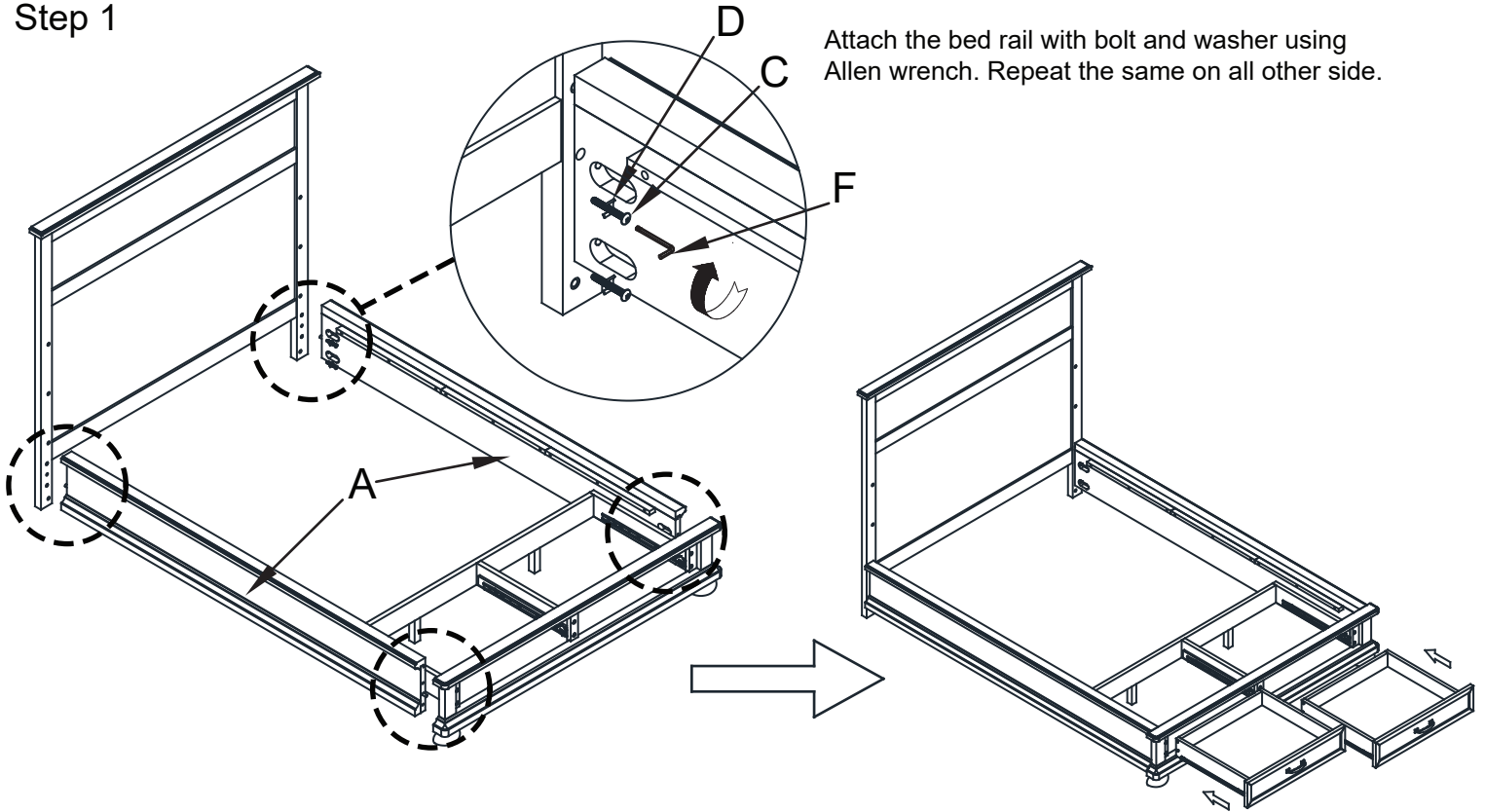


(D) Half Washer (x8)



(F) Allen Wrench (x1)

Step 1



(E) Wood Screw 1 1/4" (x8)

Screwdriver - Not provided

Step 2

