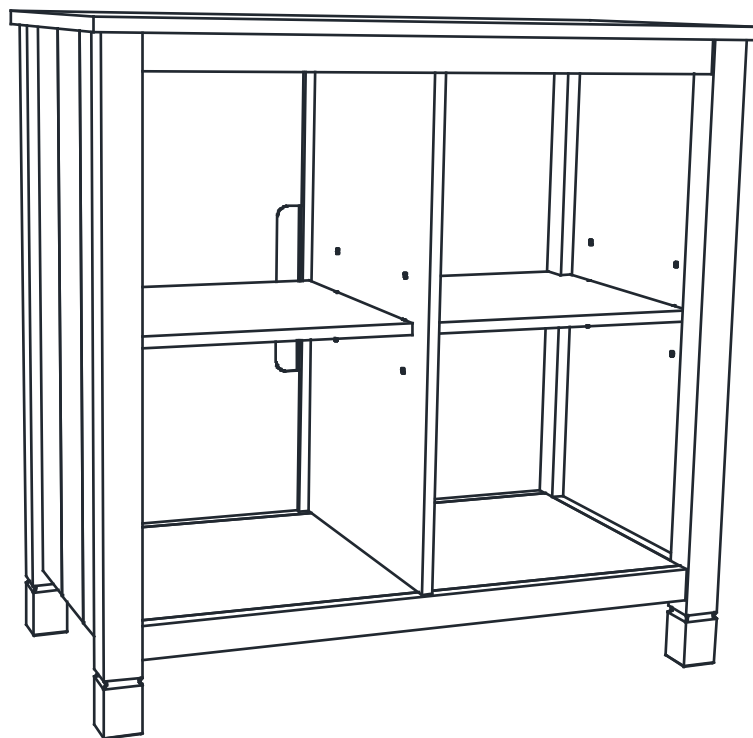


WESTWOOD DESIGN



COTTAGE COLORS

Bookcase

Model: CC-BK-2403BK-WHT (BK2403BK-W)

CC-BK-2403BK-GRY (BK2403BK-G)

RTG SKU#: 39524081 (WHT)

39524093 (GRY)

Assembly Instruction

Congratulations on your purchase of a Westwood product. We take great pride in the quality and design of our furniture. It is important that you read these instructions carefully and completely to ensure that this product functions as it was designed.

After opening the package, check to see that all the parts are present. If you think something is missing, please contact your retailer, and they can arrange to have the missing parts quickly replaced. You can also contact us directly, by calling 1-908-719-4707, or emailing support@westwoodbaby.com

If any aspect of these instructions is unclear, please contact your retailer or Westwood Design for assistance.

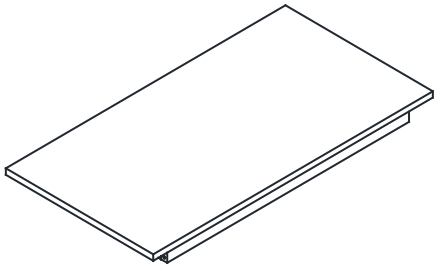


Westwood Design
635 N. Billy Mitchell Rd.,
Salt Lake City, UT 84116
Phone: 908-719-4707

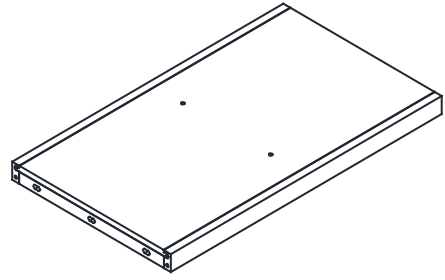
www.westwoodbaby.com

Parts & Hardware Included

A Top Panel (x1)



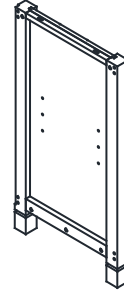
B Bottom Panel (x1)



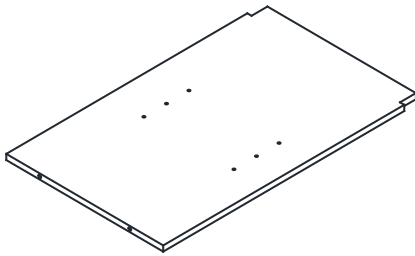
C Side Panel-Left (x1)



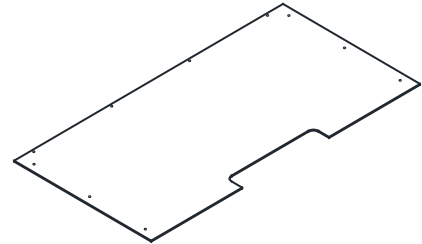
D Side Panel-Right (x1)



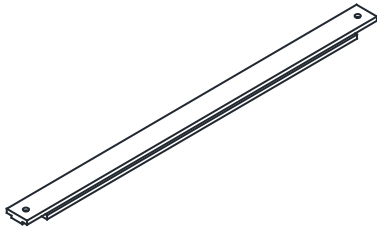
E Center Panel (x1)



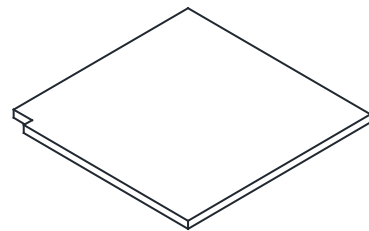
F Back Panel (x2)



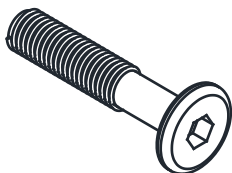
G Back Support Rail (x1)



H Shelf (x2)



I Allen Bolt (x14)
M6 x 35mm

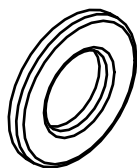


J Spring Washer (x14)
M6

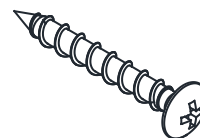


Parts & Hardware Included

K Flat Washer (x14)
M6



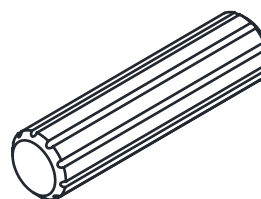
L Pan Head Screw (x2)
M4 x 25mm



M Pan Head Screw (x20)
M3.5 x 16mm



N Wood Dowel (x20)
8 x 30mm



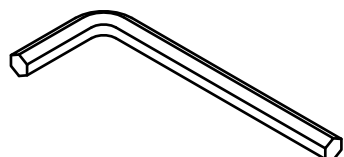
O Shelf Tab (x8)



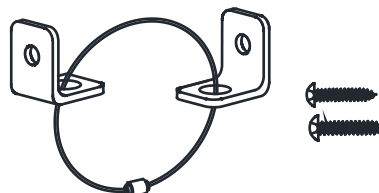
P Pan Head Screw (x8)
M3.5 x 12mm



Q Allen Key (x1)
M4



R Furniture tipping restraint (x1)

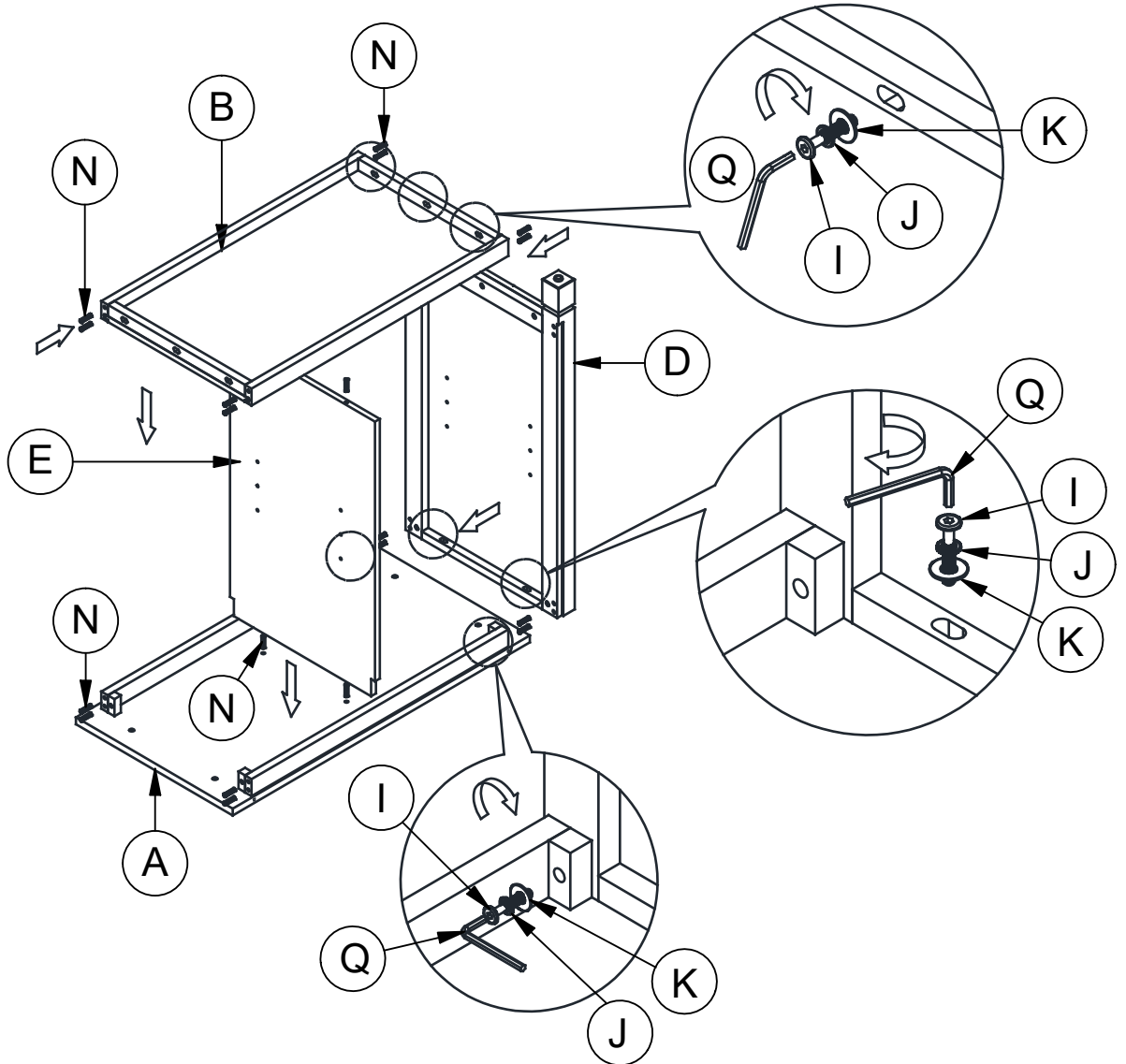


Screwdriver - Not provided

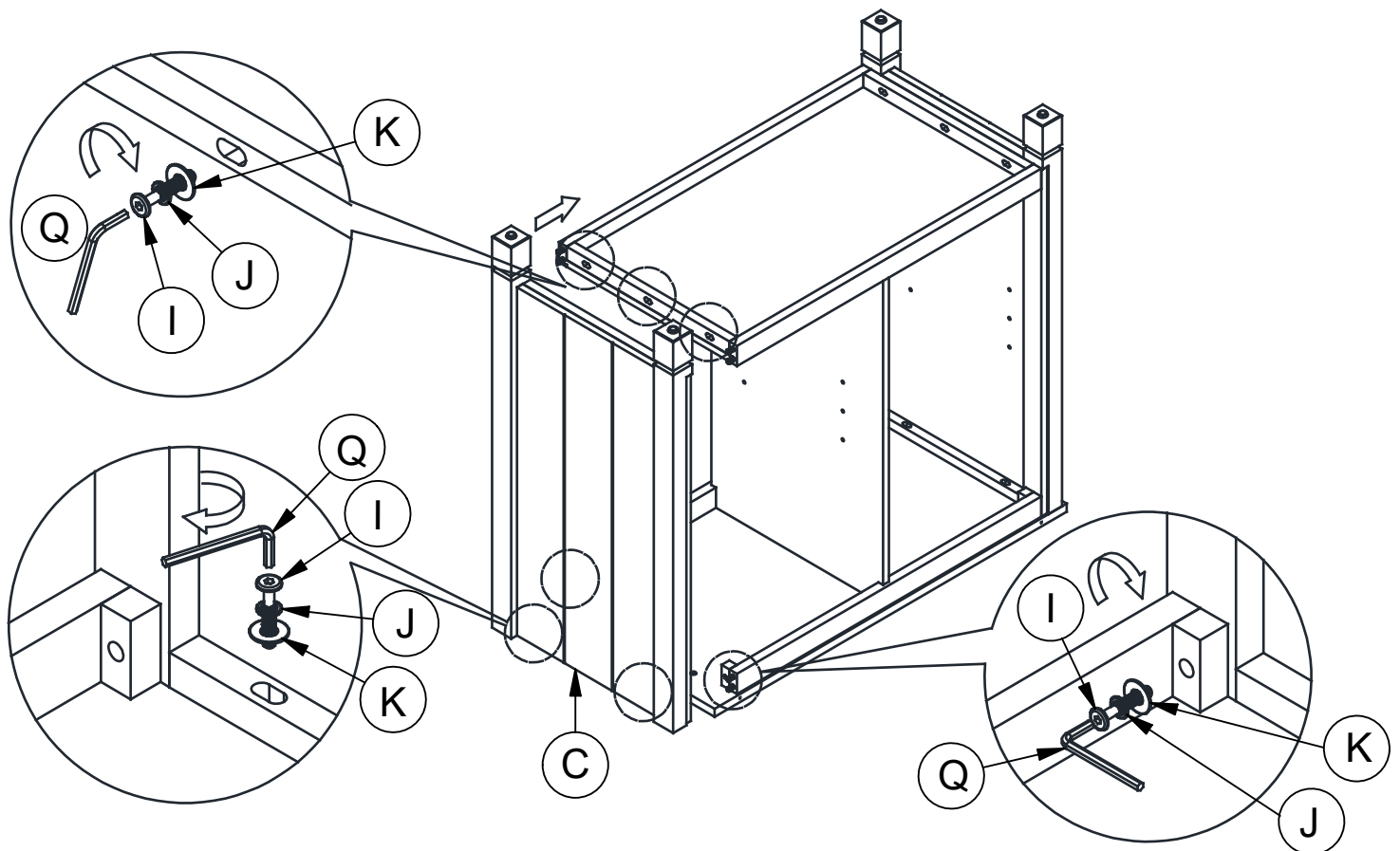


Required Parts & Hardware

Step 1

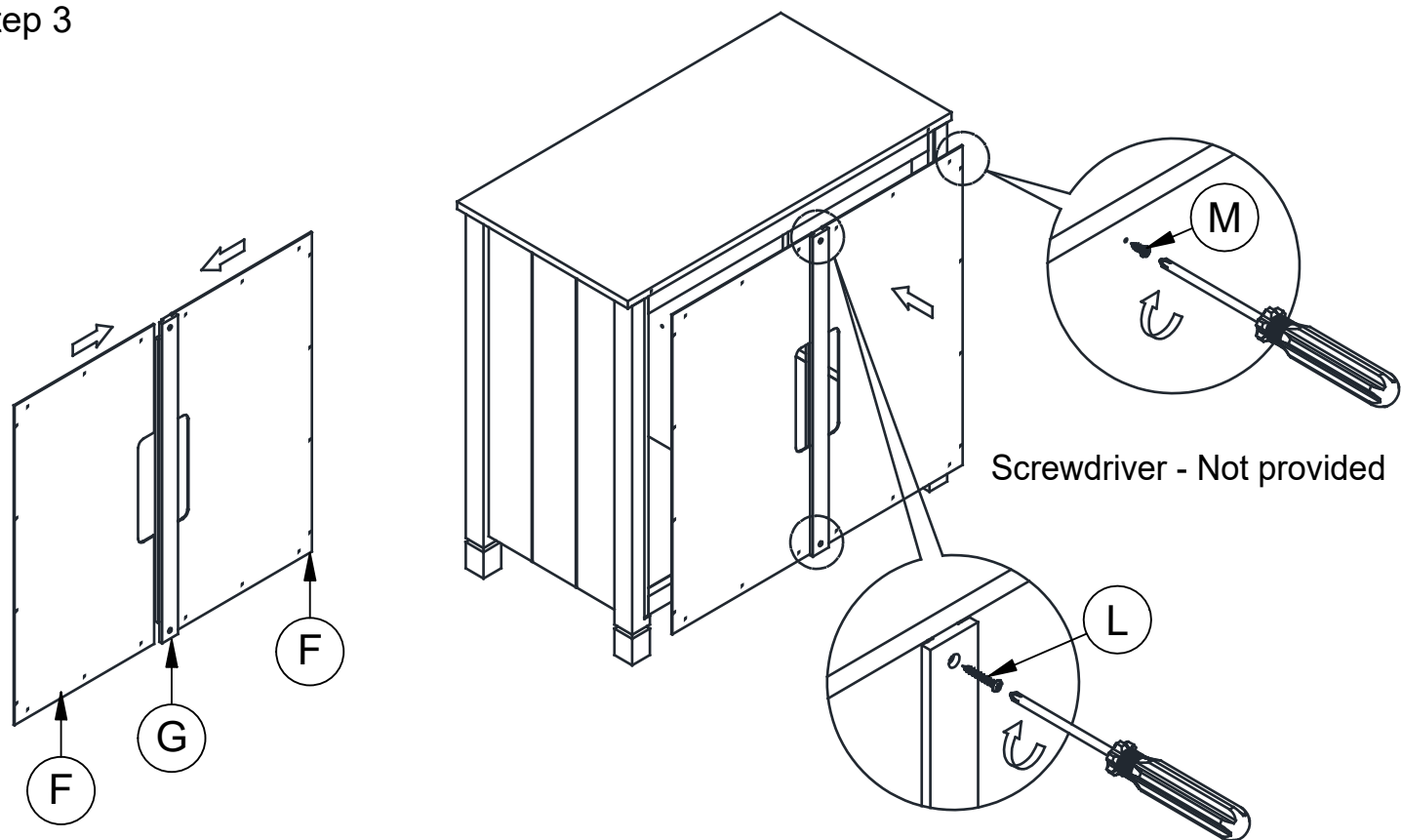


Step 2



Required Parts & Hardware

Step 3



Step 4

