

ROOMS TO GO
KIDS
Manufactured for Rooms to Go

CREEKSIDE 2.0 COLLECTION

THANK YOU FOR YOUR PURCHASE



WARNING DANGER

Failure to follow these warnings and assembly instructions could result in serious injury or death. To help prevent serious or fatal injuries from entrapment or falls:

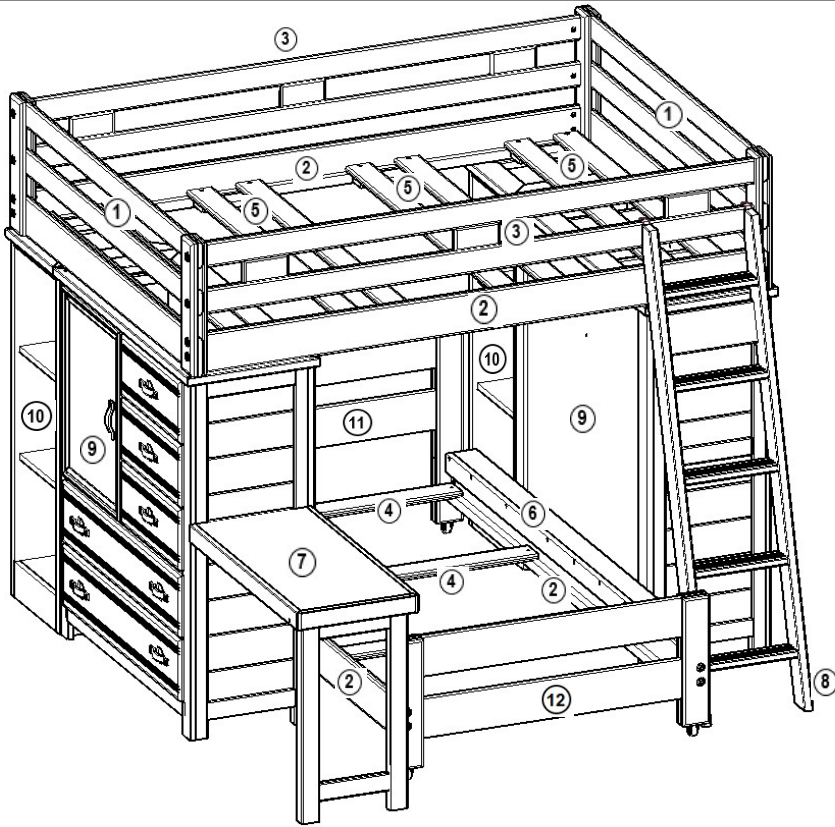
- Read all instructions before assembling bunk bed and keep these instructions for future reference.
- Before each usage or assembly, inspect bunk bed for damaged hardware, loose joints, missing parts, or sharp edges. DO NOT Use bunk bed if any parts are missing or broken.
- DO NOT Use substitute parts. Contact your local Rooms To Go or visit www.ROOMSTOGO.COM for replacement parts and instructional literature if needed.
- Follow the information on the warnings appearing on the upper bunk end structure and on the carton, DO NOT REMOVE WARNING LABEL FROM BED.
- Always use the recommended size mattress or mattress supports, or both to help prevent the likelihood of entrapment or falls.
- Ensure thickness of mattress and foundation combine does not exceed **10 inches (255mm)** and mattress surface is at least **5 inches (127mm)** below upper edge of guardrails.
- Do not allow children under 6 years of age to use the upper bunk.
- Periodically check and ensure that the guardrail, ladder, and other components are in their proper position, free from damage, and that all connectors are tight.
- Do not allow horseplay on or under the bed and prohibit jumping on the bed.
- Limit top bunk use to one person.
- Always use the ladder for entering and leaving the upper bunk.
- Use of night light may provide added safety precaution for a child using the upper bunk.
- Always use guardrails on both long sides of the upper bunk. If the bunk bed will be placed next to the wall, the guardrail that runs the full length of the bed should be placed against the wall to prevent entrapment between the bed and wall.
- The use of water or sleep flotation mattress is prohibited.
- This bunk bed meets all the requirements of ASTM 1427-19.



STRANGULATION HAZARD:

Never attach or hang items to any part of the bunk bed that are not designed for use with the bed; for example, but not limited to, hooks, belts, and jump ropes.

PARTS LIST



395440P FULL/TWIN LOFT W/ 2 CHESTS & 2 BOOKCASES CHARCOAL

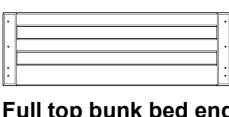
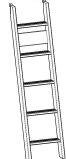

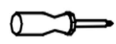


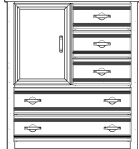


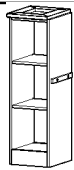



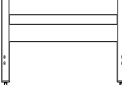
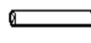


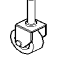


RTG SKU #	STYLE #	ITEM DESCRIPTION
35940407	40G-703	FULL TOP BUNKBED END
35940407	40G-703	FULL TOP BUNKBED END
36640402	40G-730	6 PC RAILS (2 GUARD & 4 SIDE RAILS)
36840406	40G-707	TWIN CASTER BED HD & FT
36040400	40G-711	5 DRW. LOFT CHEST
36040400	40G-711	5 DRW. LOFT CHEST
36340406	40G-760	LOFT BOOKSHELF
36340406	40G-760	LOFT BOOKSHELF
37240405	40G-736	FULL RAIL CUP
36440408	40G-721	LADDER
38000232	100-645	TWIN SLAT PACK (4)
38300238	100-648	FULL/FULL SLAT PACK
36240404	40G-601	FOLDING DESK (Add on)

395441P FULL/TWIN LOFT W/ 2 CHESTS & 2 BOOKCASES CHESTNUT

RTG SKU #	STYLE #	ITEM DESCRIPTION
35940419	40B-703	FULL LOFT END
35940419	40B-703	FULL LOFT END
36640414	40B-730	6 PC RAILS (2 GUARD & 4 SIDE RAILS)
36840418	40B-707	TWIN CASTER BED HD & FT
36040412	40B-711	5 DRW. LOFT CHEST
36040412	40B-711	5 DRW. LOFT CHEST
36340418	40B-760	LOFT BOOKSHELF
36340418	40B-760	LOFT BOOKSHELF
37240417	40B-736	FULL RAIL CUP
36440410	40B-721	LADDER
38000232	100-645	TWIN SLAT PACK (4)
38300238	100-648	FULL/FULL SLAT PACK
36240416	40B-601	FOLDING DESK (Add on)

WARNING

The bed slats included with this bed will not support a mattress alone, this bed requires Bunkie boards (sold separately)

PARTS LIST	QTY	PARTS LIST	QTY	HARDWARE LIST	QTY	TOOLS NEEDED
1  Full top bunk bed end	2 Pc	8  Ladder	1 Pc	A  5/16"-18 x 3 3/8" Bolt	24 Pcs	Phillips screwdriver (not included)  Allen wrench (included) 
2  Side rails	4 Pc	9  5 Drw Loft chest	2 Pc	B  5 mm Hex key	1 Pc	
3  Guardrails	2 Pc	10  Loft Bookshelf	2 Pc	C  6 x 1 1/4" Drywall screw	16 Pcs	<div style="border: 1px solid black; padding: 5px; width: fit-content;"> FOLDING DESK HARDWARE C  6 x 1 1/4" Drywall screw 2 Pcs </div>
4  Twin slats	4 Pc	11  Headboard	1 Pc	D  3/8" x 3 1/8" Metal pin	4 Pcs	
5  Full slats	4 Pc	12  Footboard	1 Pc	E  Casters	4 Pcs	
6  Full rail cup	1 Pc					
7  Folding desk (Add on)	1 Pc					

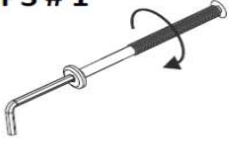
**TWO PEOPLE ARE NEEDED TO ASSEMBLE
DO NOT TIGHTEN COMPLETELY UNTIL ALL PIECES
ARE CONNECTED TOGETHER**

ASSEMBLY INSTRUCTIONS

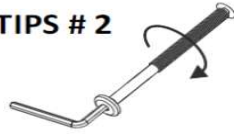
TIPS : SEE ILLUSTRATION BELOW

- 1- Use the long end of the allen wrench to fasten bolts loosely and quickly.
- 2- Use the short end of the allen wrench for final tightening

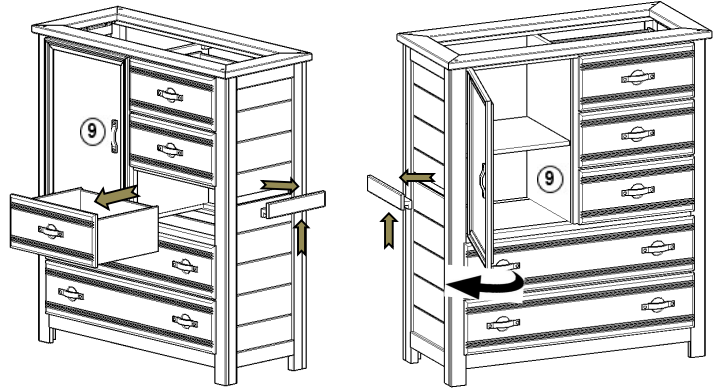
TIPS # 1



TIPS # 2



STEP 1

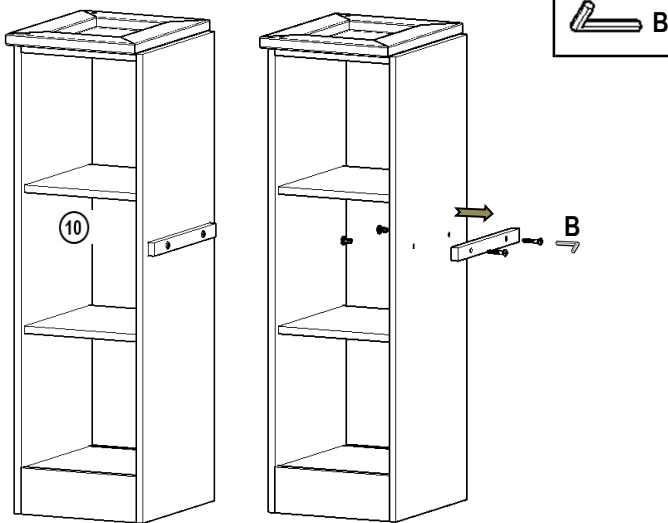


CASES ON THE RIGHT

CASES ON THE LEFT

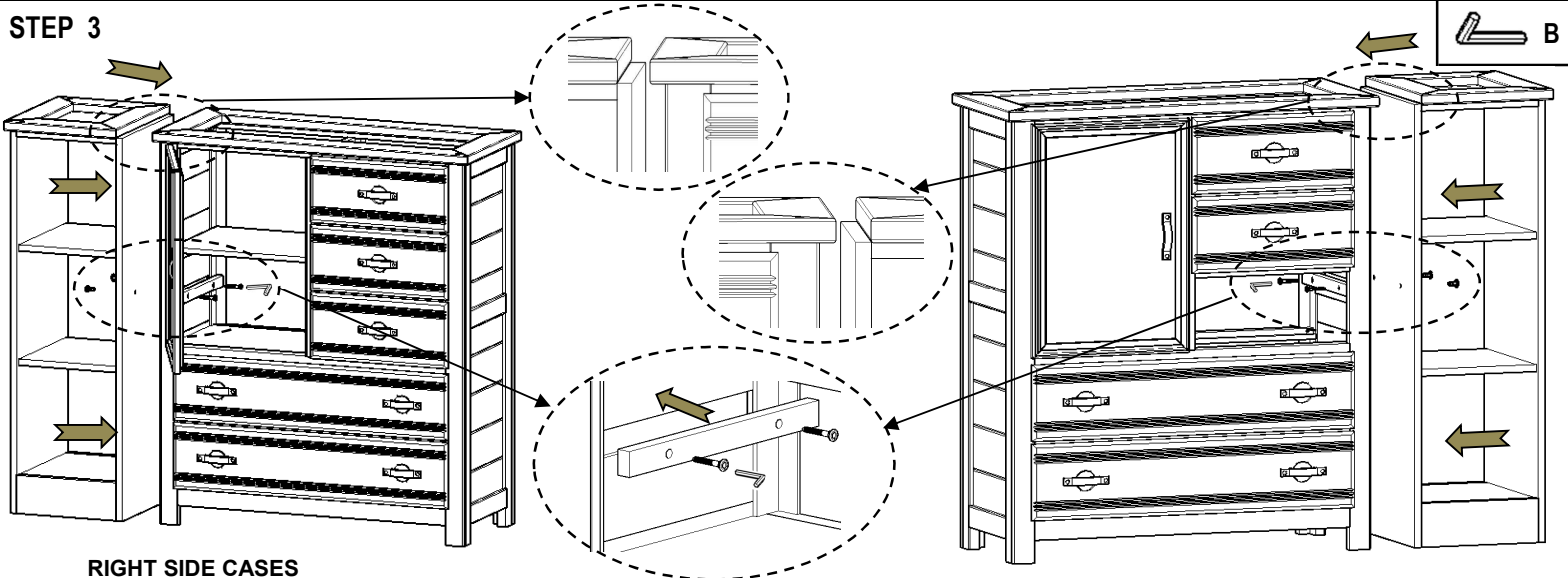
For Right remove center molding by lifting up then pulling out, then remove third drawer, for Left remove center molding and open the door.

STEP 2



Remove fastening board and save for next step.

STEP 3



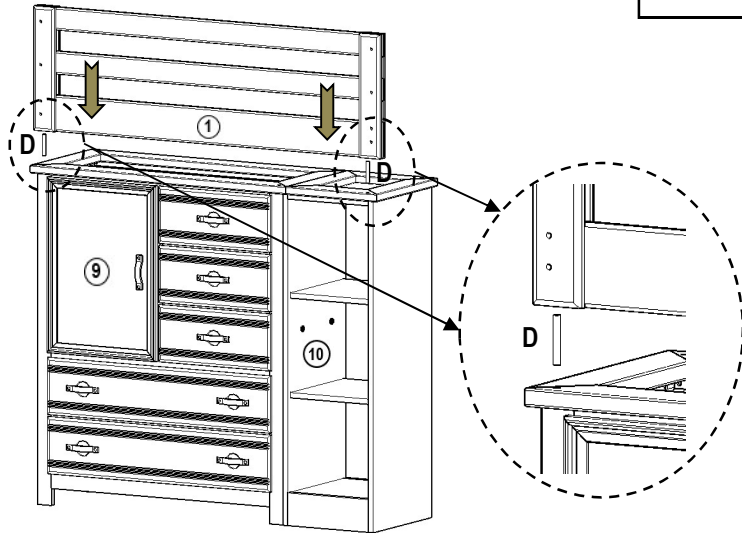
RIGHT SIDE CASES

LEFT SIDE CASES

Assemble bookshelf and chest, using the fastening board and bolts previously removed, align one chest and one bookshelf. One for right side and one for left, side align both pieces and tight completely as shown.

ASSEMBLY INSTRUCTIONS

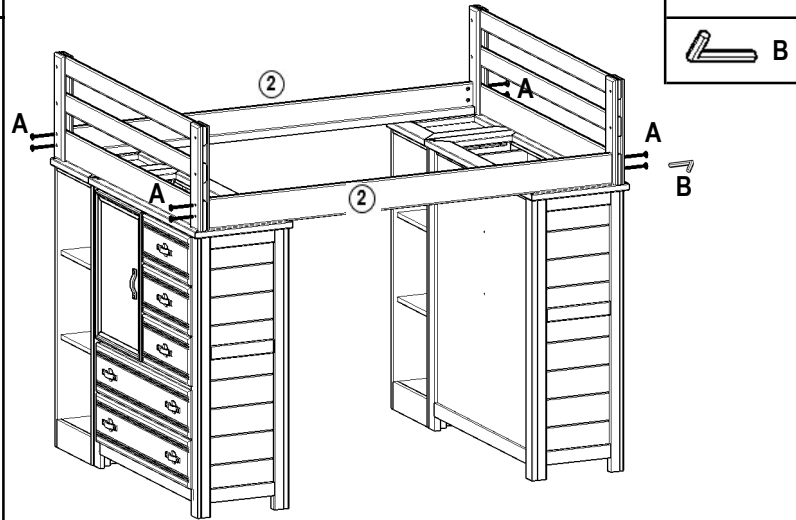
STEP 4



D

Assemble left chest, left bookshelf and top bunk bed ends.

STEP 5

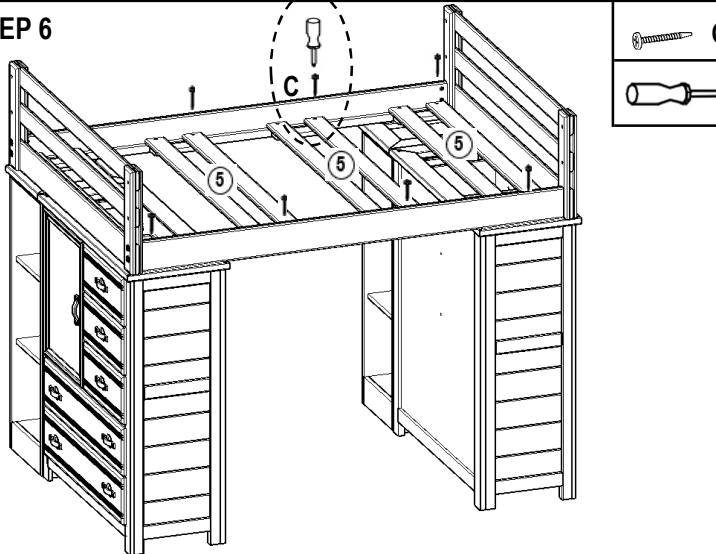


A

B

Assemble top side rails.

STEP 6

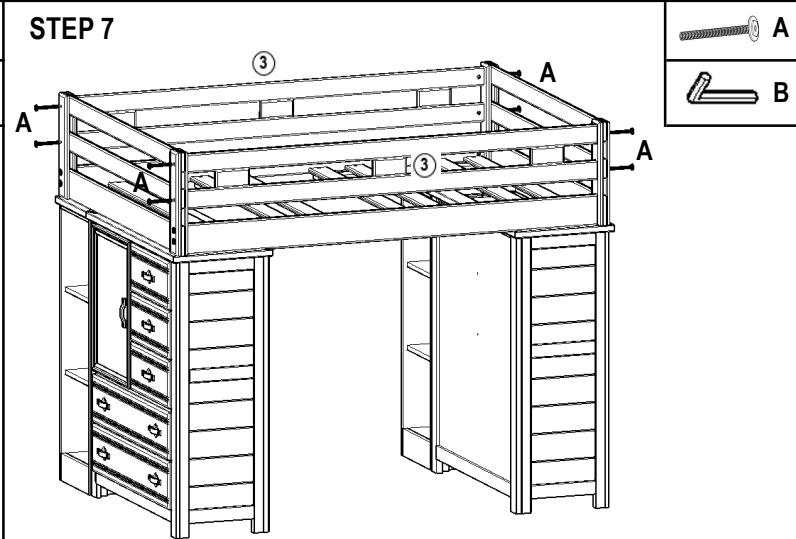


C

C

Install slats, one on each end, two equally spaced in the middle, then fasten with 1 1/4" screws.

STEP 7



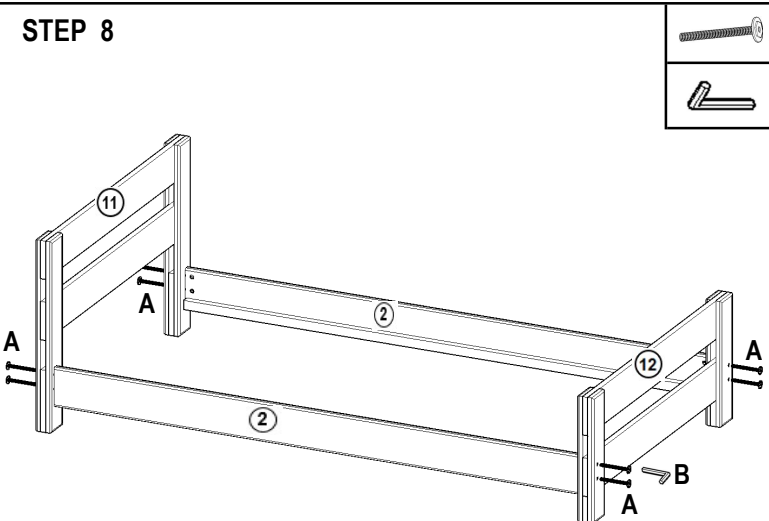
A

B

Assemble guardrails and tighten all bolts.

MAKE SURE ALL BOLTS ARE TIGHTENED COMPLETELY

STEP 8



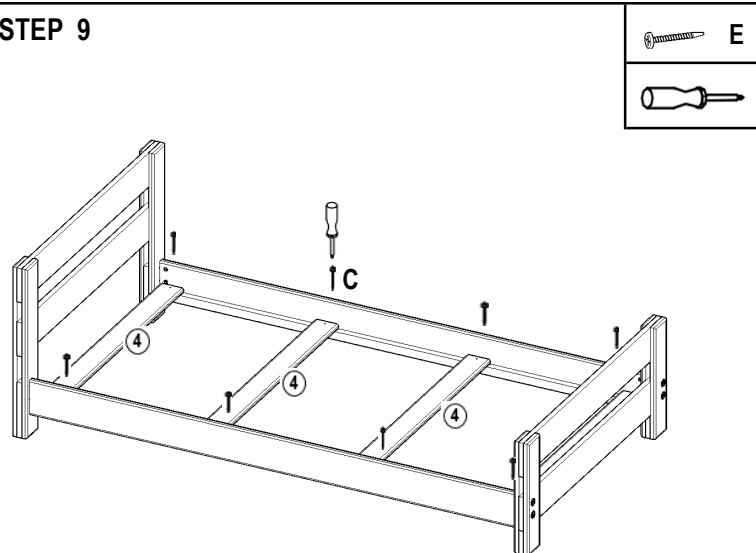
A

B

Assemble side rails

MAKE SURE ALL BOLTS ARE TIGHTENED COMPLETELY

STEP 9



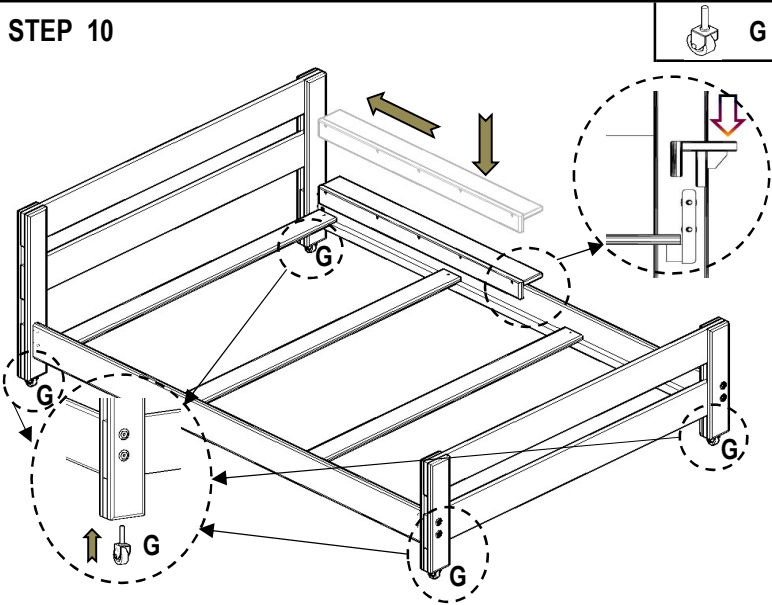
E

E

Install slats, one on each end and two equally spaced in the middle, then fasten with 1 1/4" screws

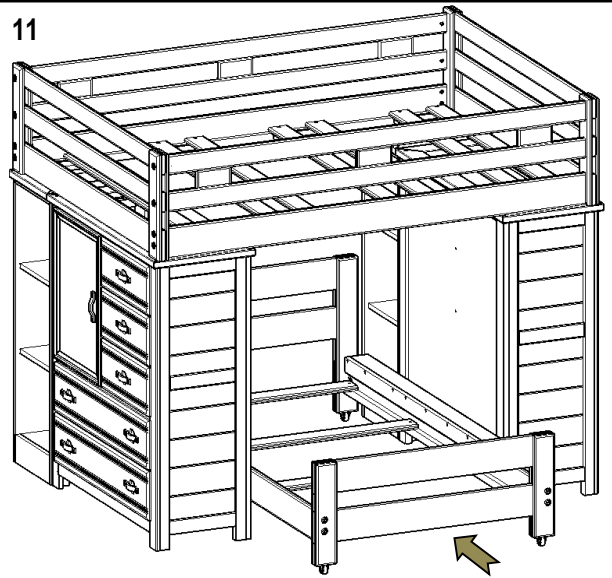
ASSEMBLY INSTRUCTIONS

STEP 10



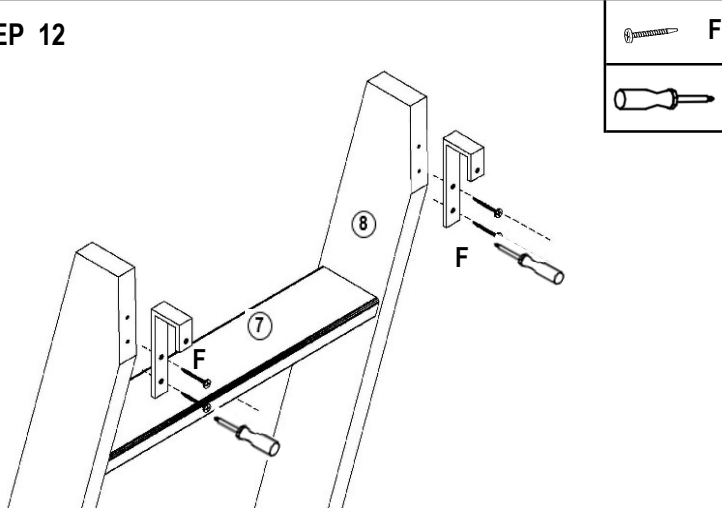
Install casters in headboard and footboard, and set rail cup.

STEP 11



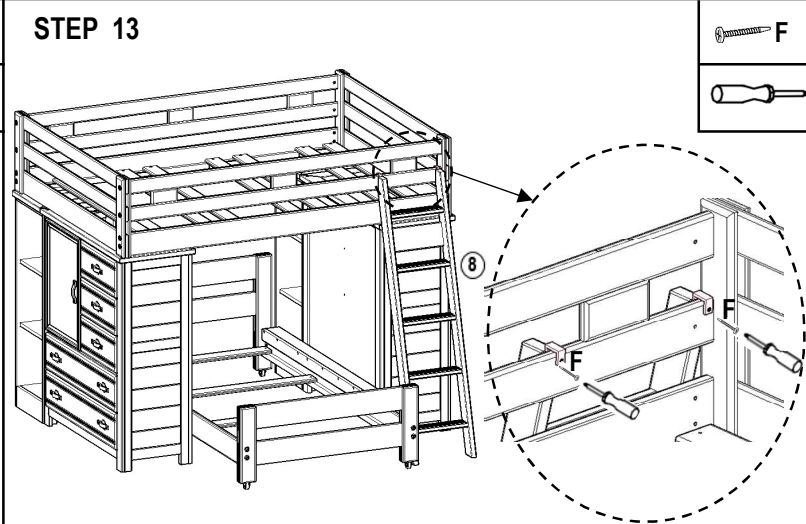
Slide Caster bed under Loft bed as shown.

STEP 12



Screw ladder hooks to pre-drilled holes on top of ladder.

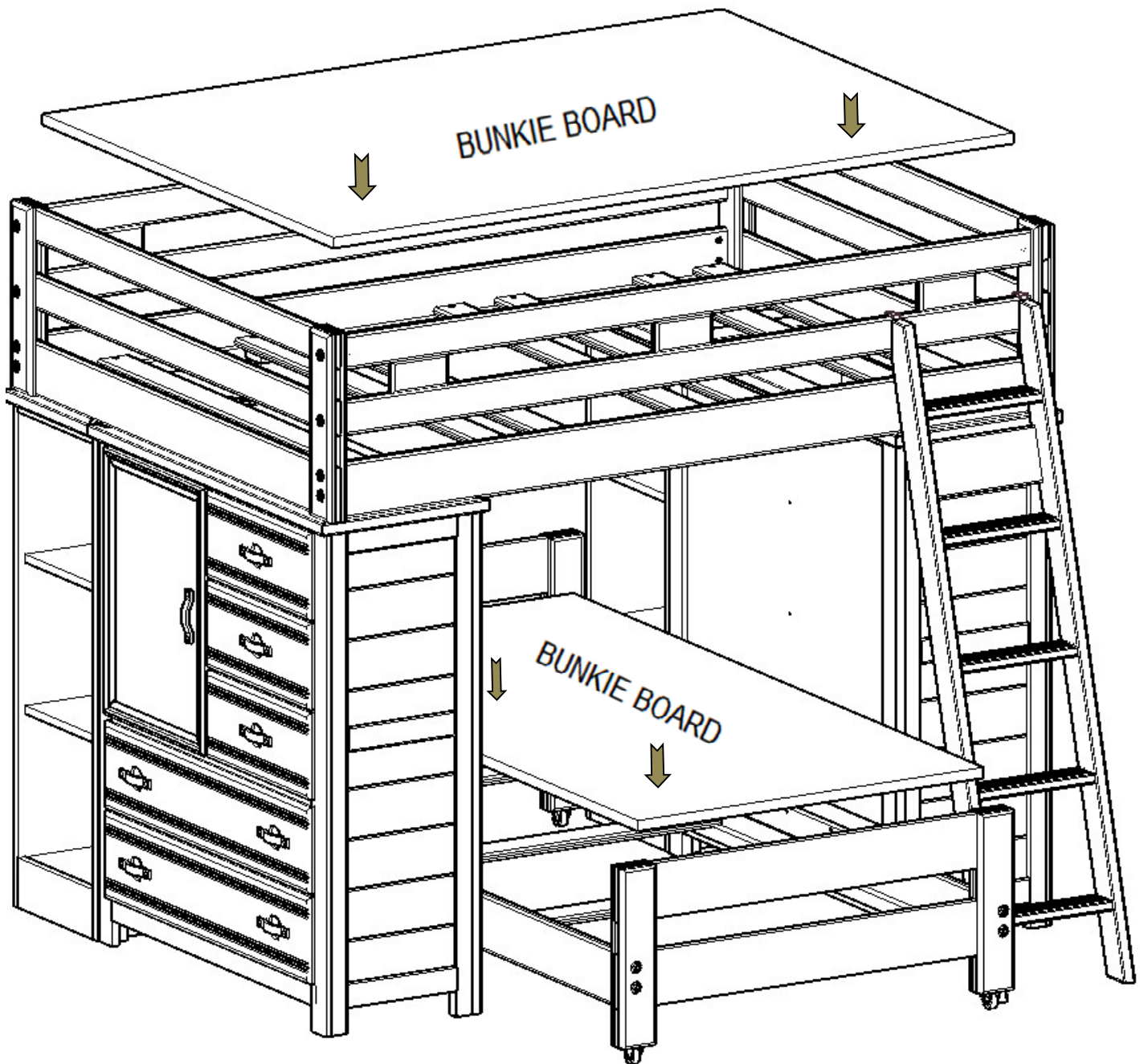
STEP 13



Screw ladder to guardrail as shown.

ASSEMBLY INSTRUCTIONS

STEP 14



Place Bunkie boards (required, sold separately) on top of the slats

Use only correct mattress dimensions and Bunkie board:

Twin size mattress- 74" - 75" long and 37-1/2" - 38-1/2" wide

Twin size Bunkie board- 74" long and 37-1/2" wide

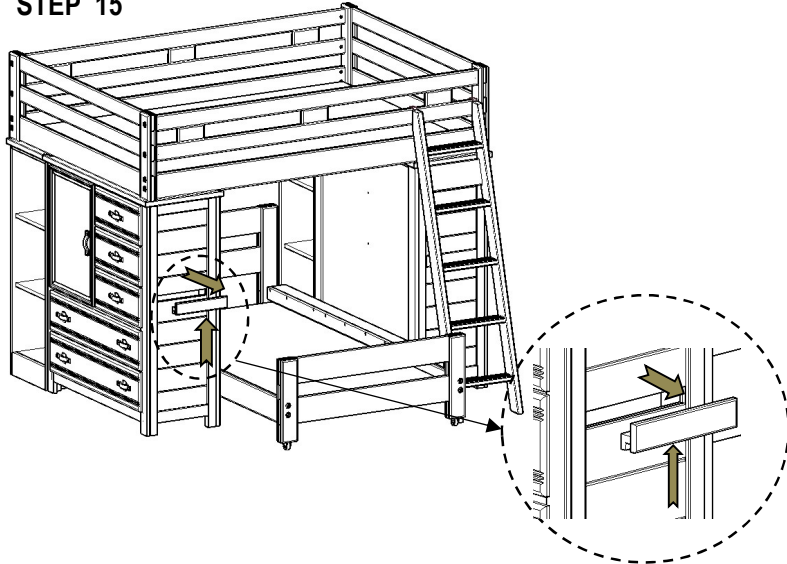
Full size mattress- 74" - 75" long and 52-1/2" - 53-1/2" wide

Full size Bunkie board- 74" long and 52-1/2" wide

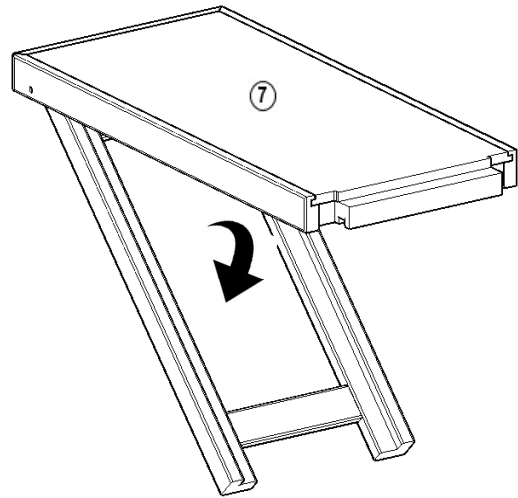
PLEASE CONTACT YOUR RETAIL STORE WITH SERVICE OR PARTS REPLACEMENT REQUEST

ASSEMBLY INSTRUCTIONS

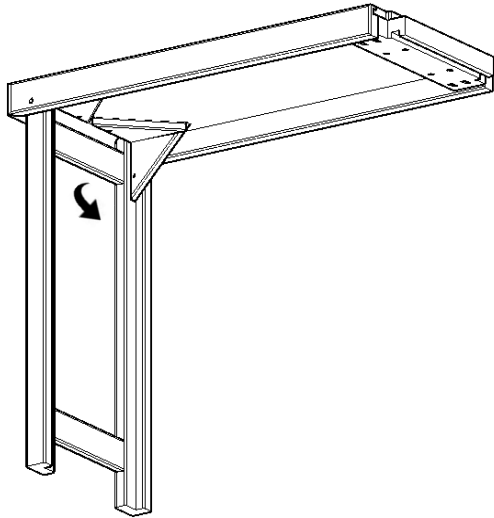
STEP 15



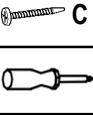
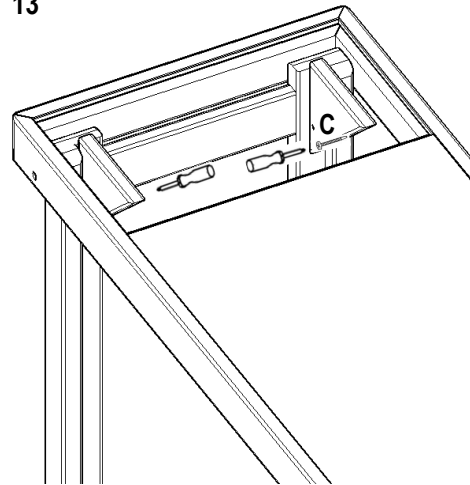
STEP 16



STEP 12



STEP 13



STEP 14

