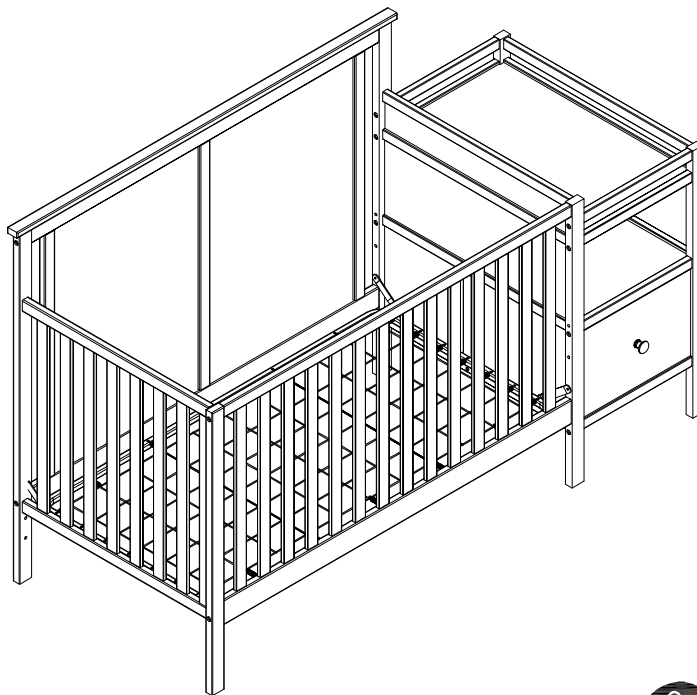


ASSEMBLY INSTRUCTIONS
for 4 in 1 Crib[®]
CONNELLY CRIB COMBO
Model # 27501



suitebebe



Some are tested to meet U.S. Federal,
ASTM and other safety requirements

**"THE PRODUCT IMAGES SHOWN ARE FOR ILLUSTRATION PURPOSES
ONLY AND MAY NOT BE AN EXACT REPRESENTATION OF THE PRODUCT."**

**GUARDRAIL and STABILIZER BAR and BED FRAME and
CONVERSION LEG sold separately.**

Please contact retailer.

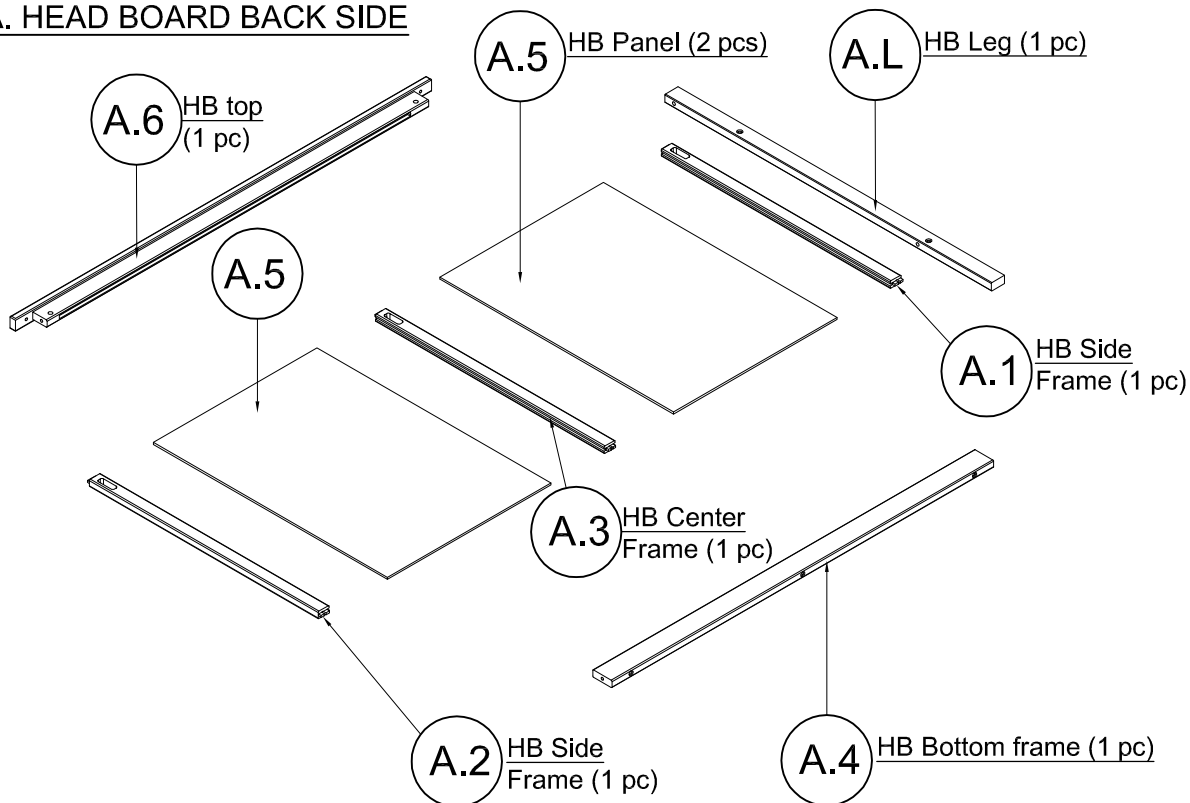
**THIS PRODUCT CONFORMS TO THE APPLICABLE SECTIONS OF PUBLIC LAW 110-314
AND COMPLIES WITH THE REQUIREMENTS STATED IN 16 CFR 1219 AND 16 CFR 1217
(WHEN CONNELLY GUARDRAIL IS USED).**

C9-A-CNCCSB00-00

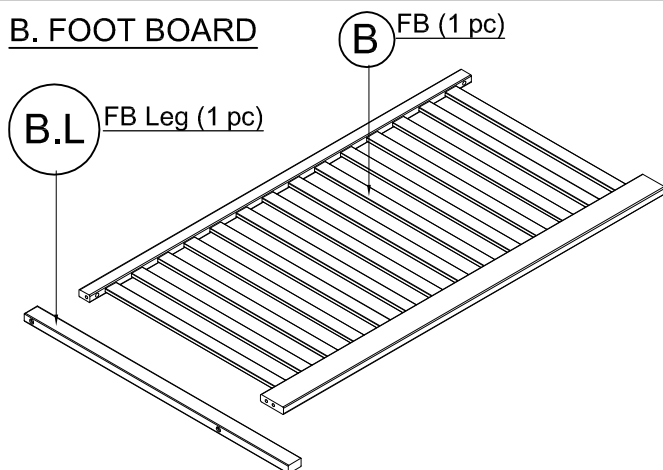
Carefully remove and lay out all parts. Familiarize yourself with all exhibits and diagrams to facilitate the assembly of your crib combo

PART ENCLOSED IN CARTON

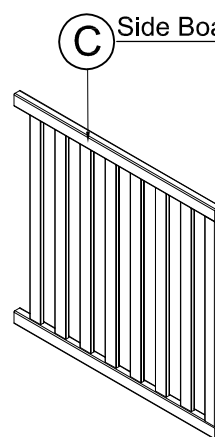
A. HEAD BOARD BACK SIDE



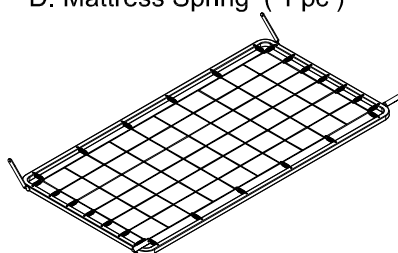
B. FOOT BOARD



C Side Board (1 pc)



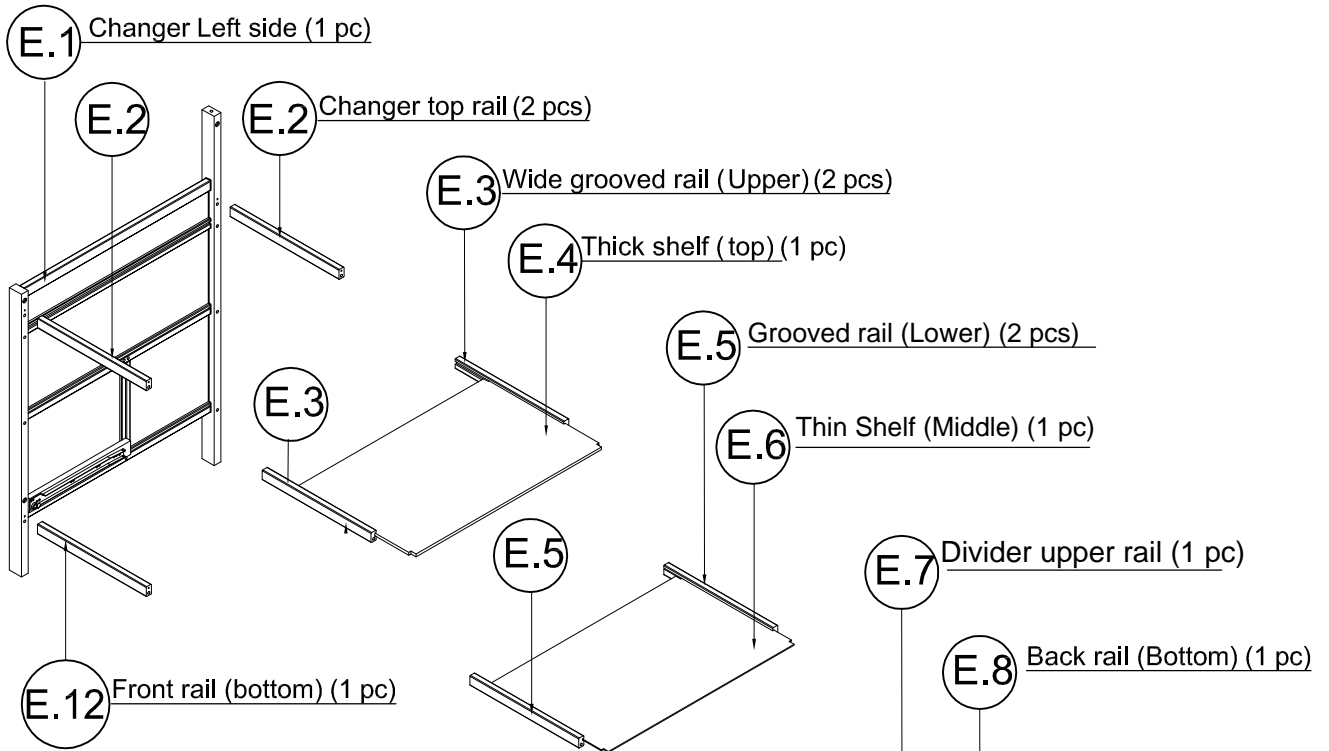
D. Mattress Spring (1 pc)



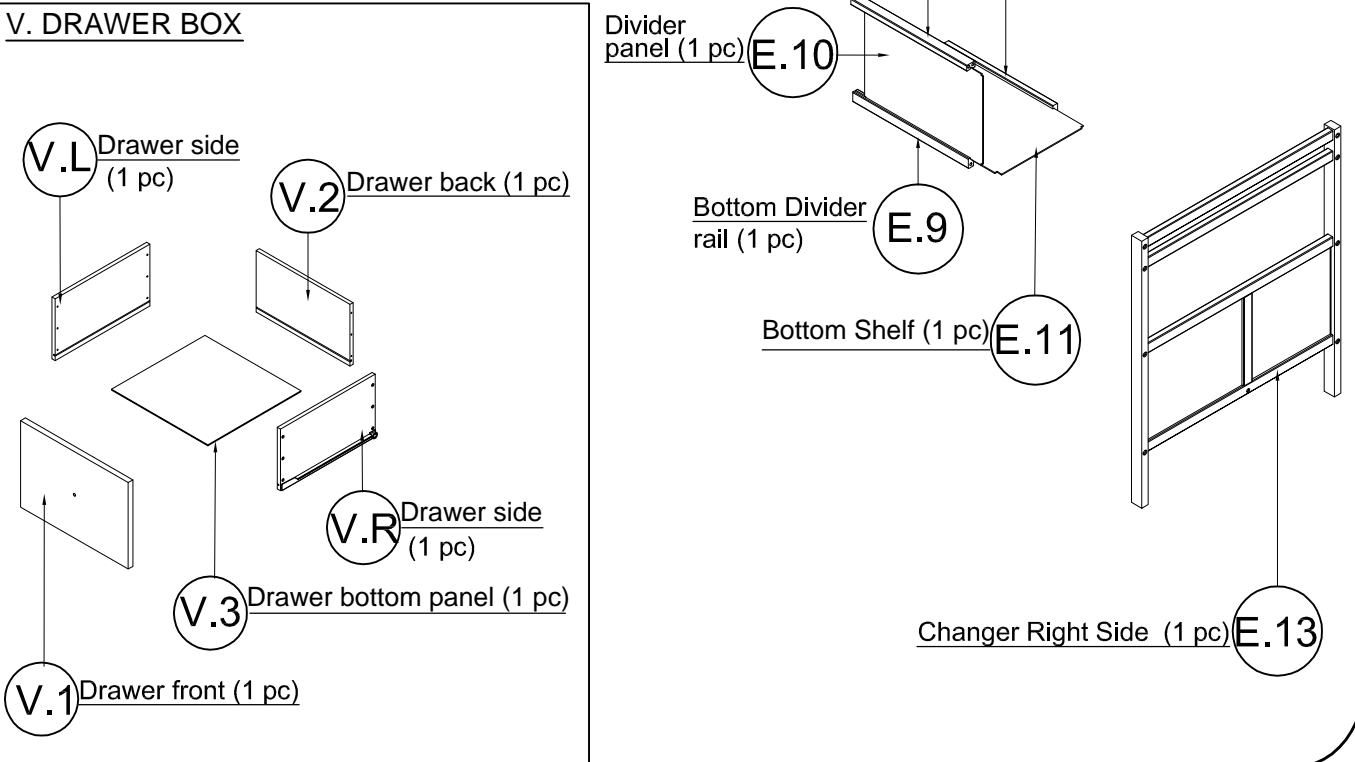
Carefully remove and lay out all parts. Familiarize yourself with all exhibits and diagrams to facilitate the assembly of your crib combo

PART ENCLOSED IN CARTON

E. CHANGING TABLE

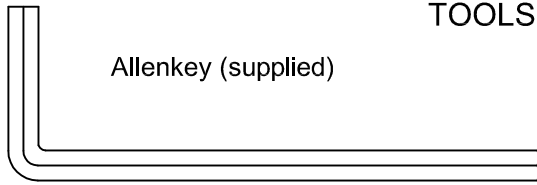


V. DRAWER BOX

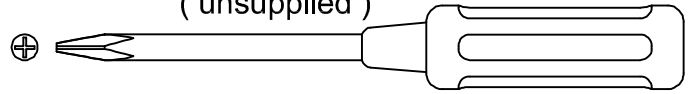


Carefully remove and lay out all parts. Familiarize yourself with all exhibits and diagrams to facilitate the assembly of your crib combo

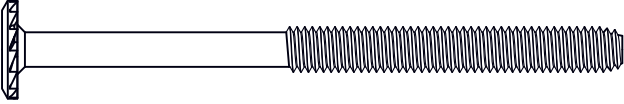
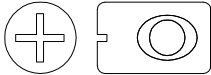
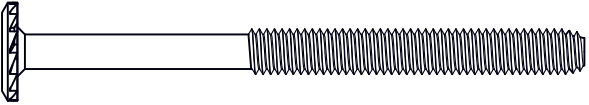

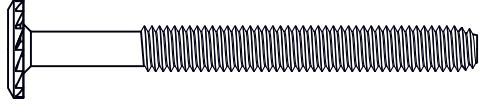
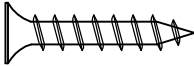
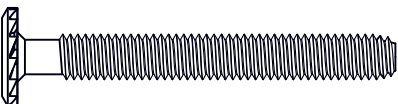

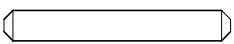
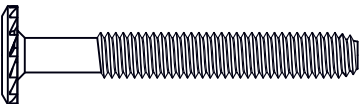
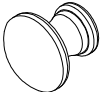

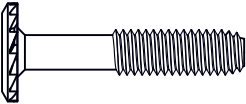

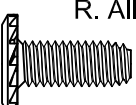
TOOLS REQUIRED :



Phillips head screw driver
(unsupplied)



HARDWARE

<p>F. Allenbolt 3 1/8" (80 mm) (8 pcs)</p> 	<p>M. Barrel Nut 5/8" x 3/8" (15 mm x 10 mm)(11 pcs)</p> 	
<p>G. Allenbolt 3" (75 mm) (3 pcs)</p> 	<p>P. Wooden Dowel 1 1/4" [30 mm] (8 pcs)</p> 	
<p>H. Allenbolt 2 3/8 " [60 mm] (10 pcs)</p> 	<p>Q. Screw 1" (25 mm) (12 pcs)</p> 	
<p>J. Allenbolt 2 " [50 mm] (10 pcs)</p> 	<p>S. Round Head Screw M4 x 25 mm (1 pc)</p> 	<p>T. Metal Dowel 1 1/4" [30 mm] (6 pcs)</p> 
<p>K. Allenbolt 1 3/4" [45 mm] (3 pcs)</p> 	<p>U. Drawer Knob (1 pc)</p> 	<p>W. Spring Washer (40 pcs)</p> 
<p>L. Allenbolt 1 1/4 " [30 mm] (2 pcs)</p> 	<p>N. Allenkey (1 pc) (Length may vary)</p> 	
<p>R. Allenbolt 5/8" [15 mm] (12 pcs)</p> 		

Make sure the bolts are tightly locked against the washers during assembly.
(Please add an extra 1/2 revolution to all the bolts when using spring washer after tightening)

STEP 1 " ASSEMBLY OF CHANGER RAILS "

THIS STEP REQUIRES :

E.1.Changer Left Side (1 pc)

E.2.Changer Top Rail (2 pcs)

E.3.Wide Grooved Rail (Upper) (2 pcs)

E.5.Grooved Rail (Lower) (2 pcs)

E.7.Divider Upper Rail (1 pc)

E.8.Back Rail (Bottom) (1 pc)

E.9.Bottom Divider Rail (1 pc)

E.12.Front Rail (Bottom) (1 pc)

T. Metal Dowel

1 1/4" [30 mm] (3 pcs)

P. Wooden Dowel

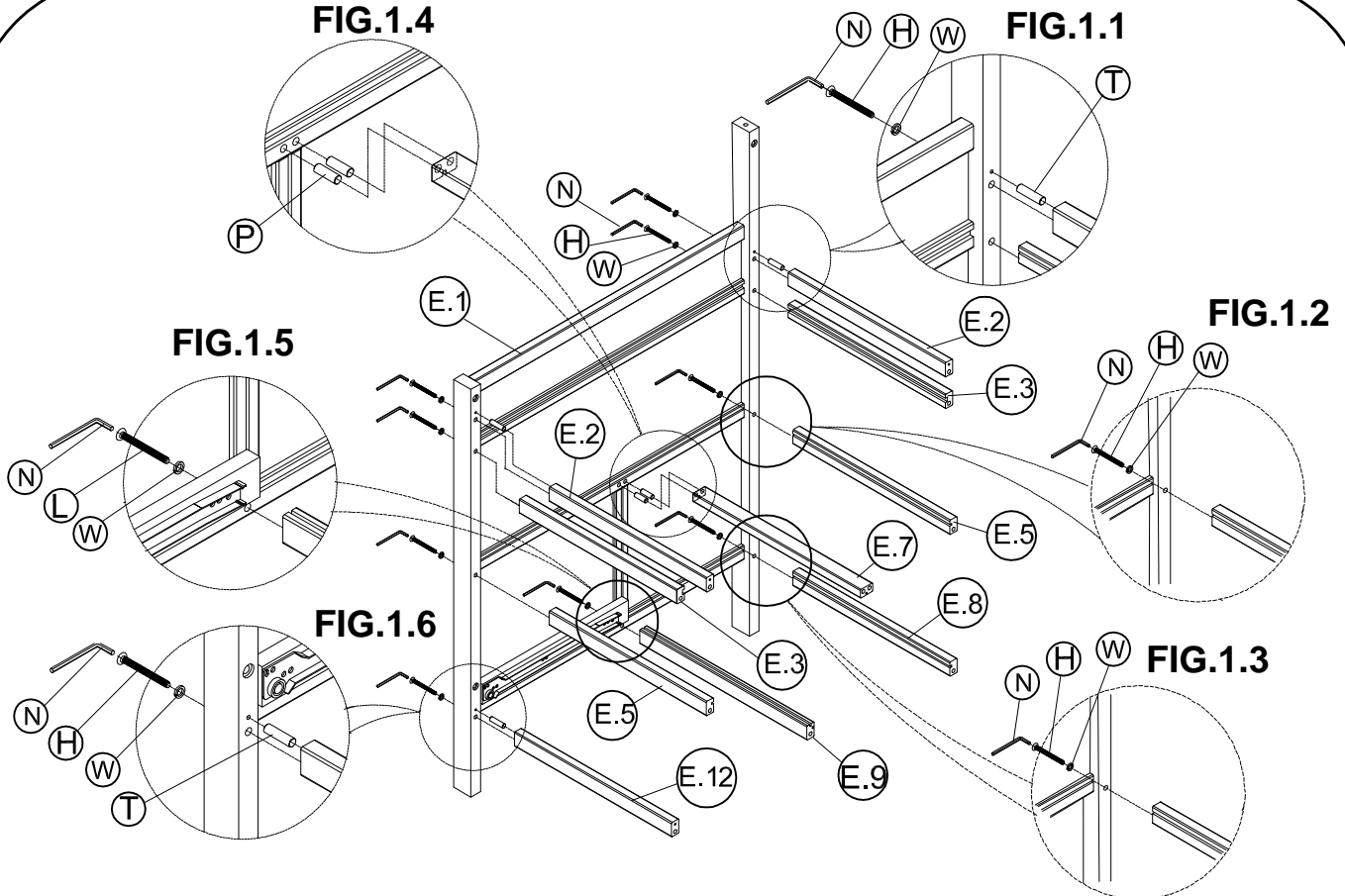
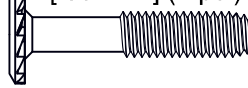
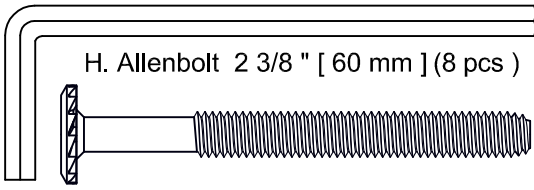
1 1/4" [30 mm] (2 pcs)

N. Allenkey (1 pc)

H. Allenbolt 2 3/8" [60 mm] (8 pcs)

L. Allenbolt 1 1/4" [30 mm] (1 pc)

W. Spring Washer (9 pcs)

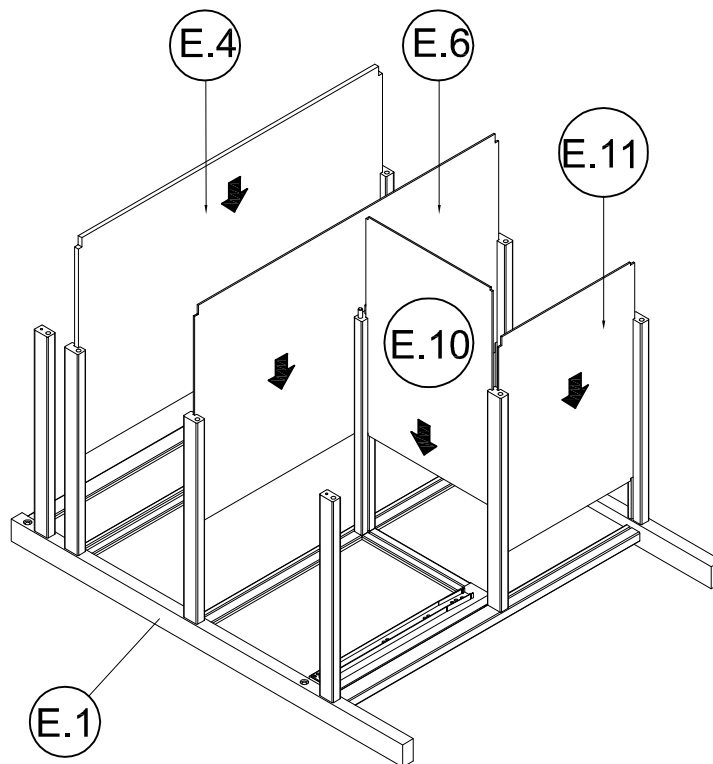


- Connect 2 pcs changer top rail (E.2) to the front & back frame of changer left side (E.1) using 2 pcs allenbolt 2 3/8"(60 mm)(H), spring washer (W) and metal dowel (T), as shown in FIG.1.1. Hand tighten only.
- Connect 2 pcs wide grooved rail (upper) (E.3) to the front & back frame of changer left side (E.1) using 2 pcs allenbolt 2 3/8"(60 mm)(H) and spring washer (W), as shown in FIG.1.1. Hand tighten only.
- Connect 2 pcs grooved rail (lower) (E.5) to the front & back frame of changer left side (E.1) using 2 pcs allenbolt 2 3/8"(60 mm)(H) and spring washer (W), as shown in FIG.1.2. Hand tighten only.
- Connect back rail (bottom) (E.8) to the back frame of changer left side (E.1) using allenbolt 2 3/8"(60 mm)(H) and spring washer (W), as shown in FIG.1.3. Hand tighten only.
- Connect divider upper rail (E.7) to the middle frame of changer left side (E.1) using 2 pcs wooden dowel (P) as shown in FIG.1.4.
- Connect bottom divider rail (E.9) to the bottom frame of changer left side (E.1) using allenbolt 1 1/4" (30 mm)(L) and spring washer (W), as shown in FIG.1.5. Hand tighten only.
- Connect front rail (bottom)(E.12) to the front frame of changer left side (E.1) using allenbolt 2 3/8"(60 mm)(H), spring washer (W) and metal dowel (T), as shown in FIG.1.6. Hand tighten only.
- Tighten all bolts with allenkey (N).

STEP 2 " ASSEMBLY OF CHANGER SHELVES AND DIVIDER"

THIS STEP REQUIRES :

- E.1.Changer Left Side (1 pc)
- E.4.Thick shelf (top) (1 pc)
- E.6.Thin shelf (middle) (1 pc)
- E.10.Divider panel (1 pc)
- E.11.Bottom shelf (middle) (1 pc)



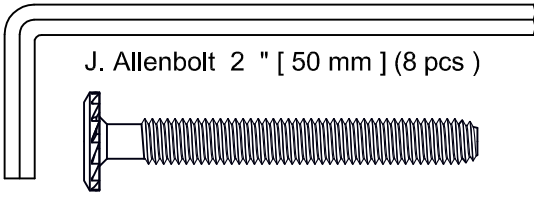
- Lay the Changer left side (E.1) on the floor, rails up. Slide the shelves (E.4, E.6 & E.11) and divider panel (E.10) through the grooves and into the Changer left side (E.1).

STEP 3 " ASSEMBLY OF CHANGER RIGHT SIDE "

THIS STEP REQUIRES :

E.13.Changer Right Side (1 pc)

N. Allenkey (1 pc)



J. Allenbolt 2 " [50 mm] (8 pcs)

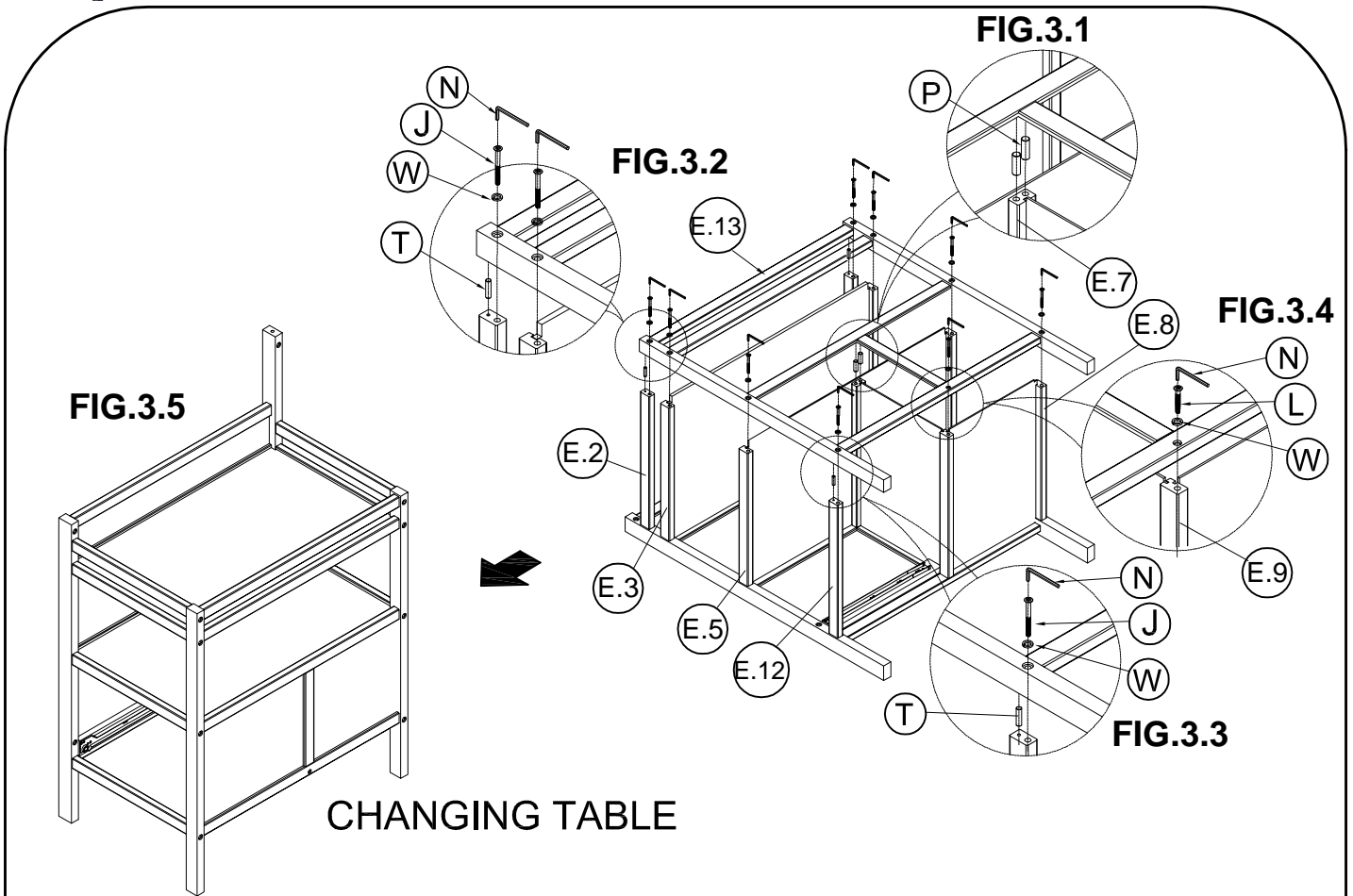
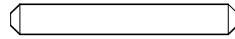
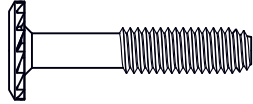
P. Wooden Dowel 1 1/4" [30 mm] (2 pcs)



W. Spring Washer (9 pcs)

L. Allenbolt 1 1/4 " [30 mm] (1 pc)

T. Metal Dowel 1 1/4" [30 mm] (3 pcs)



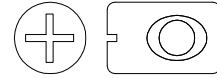
- Connect upper divider rail (E.7) to the middle frame of Changer right side (E.13) using 2 pcs wooden dowels (P) as shown in FIG.3.1.
- Connect Changer rails (E.2, E.3, E.5, E.8 & E.12) to the front & back side frame of Changer right side (E.13) using allenbolt 2"(50 mm)(J), spring washer (W) and metal dowels (T) as shown in FIG.3.2 & FIG.3.3. Hand tighten only.
- Connect bottom divider rail (E.9) to the middle frame of Changer right side (E.13) using allenbolt 1 1/4"(30 mm)(L), and spring washer (W) as shown in FIG.3.4.
- Tighten all bolts with allenkey (N).
- Final position as shown in FIG 3.5.

STEP 4 " ASSEMBLY OF HEAD BOARD "

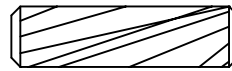
THIS STEP REQUIRES :

- A.1 HB side frame (1 pc)
- A.2 HB side frame (1 pc)
- A.3 HB center frame (1 pc)
- A.4 HB bottom frame (1 pc)
- N. Allenkey (1 pc)
- A.5 HB panel (2 pcs)
- A.6 HB Top (1 pc)
- A.L. HB Leg (1 pc)

- M. Barrel Nut 5/8" x 3/8"
(15 mm x 10 mm)(3 pcs)



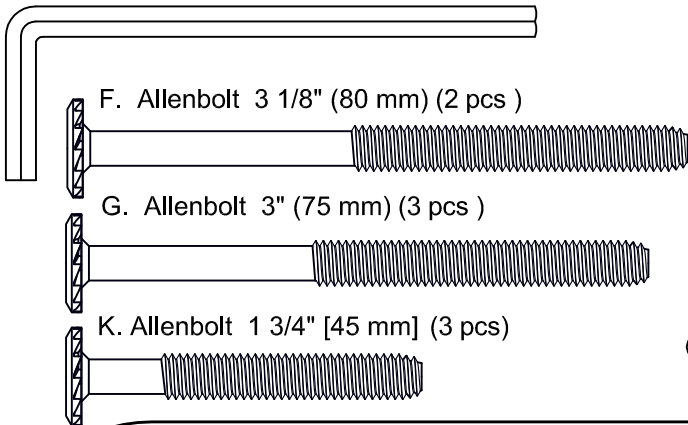
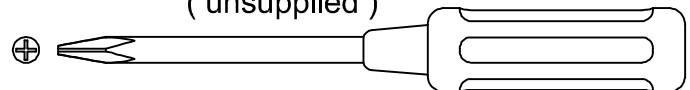
- P. Wooden Dowel
1 1/4" [30 mm] (1 pc)



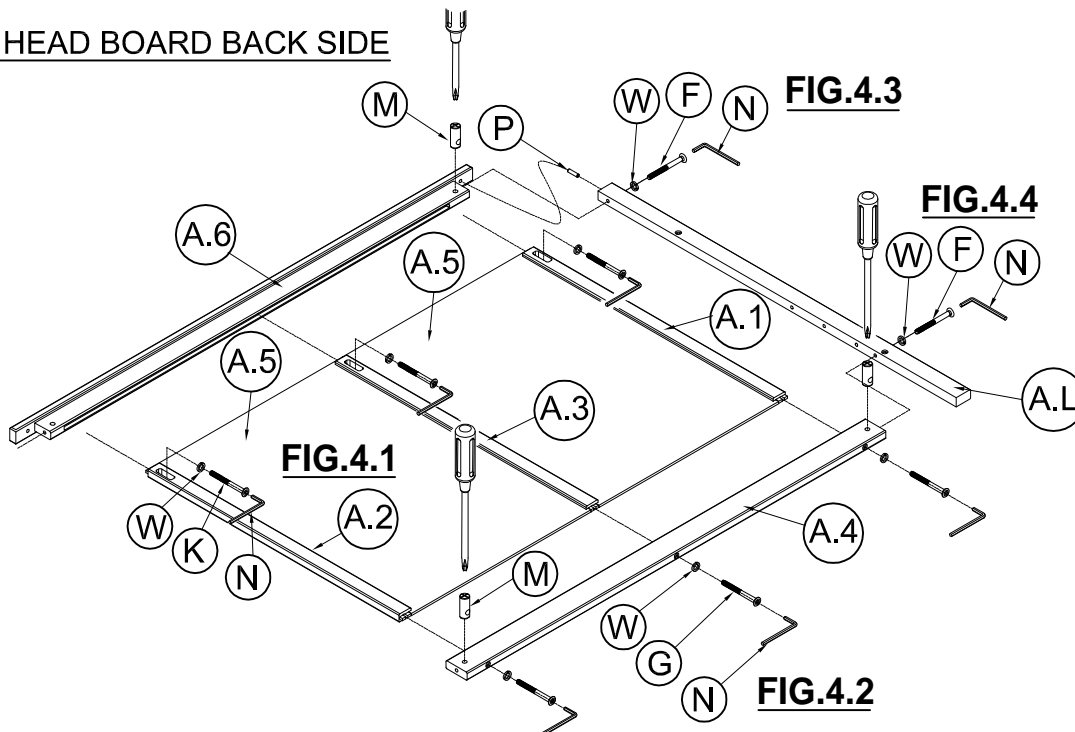
- W. Spring Washer
(8 pcs)



Phillips head screw driver
(unsupplied)



A. HEAD BOARD BACK SIDE



- Insert 2 pcs HB panel (A.5) into the side frame (A.1 and A.2) and center frame (A.3).
- Connect (2 pcs) headboard panel (A.5), headboard frame (A.1, A.2 and A.3) to the Headboard top (A.6) using 3 pcs allenbolt 1 3/4" (45 mm) (K) & Spring Washer (W), as shown in FIG. 4.1.
- Connect headboard bottom frame (A.4) to the headboard frame (A.1, A.2 and A.3) using 3 pcs allenbolt 3" (75 mm) (G) & Spring Washer (W), as shown in FIG. 4.2.
- Insert wooden dowel (P) into the holes in HB Leg (A.L).
- Insert barrel nut 5/8" x 3/8" (15 mm x 10 mm) (M) into the holes in HB bottom frame (A.4) and Headboard top (A.6).
- Connect HB Leg (A.L) to the Headboard top (A.6) and headboard bottom frame (A.4) using 2 pcs allenbolt 3 1/8" (80 mm) (F), Spring Washer (W) & barrel nut (M), as shown in FIG. 4.3 & 4.4.
- Tighten all bolts with allenkey (N).

STEP 5 " ASSEMBLY OF CRIB SIDES "

THIS STEP REQUIRES :

CHANGING TABLE (1 pc)

A.Head board (1 pc)

C.Side board (1 pc)

BL. FB Leg (1 pc)

P. Wooden Dowel
1 1/4" [30 mm] (1 pc)

M. Barrel Nut 5/8" x 3/8"
(15 mm x 10 mm)(4 pcs)

W. Spring Washer
(6 pcs)

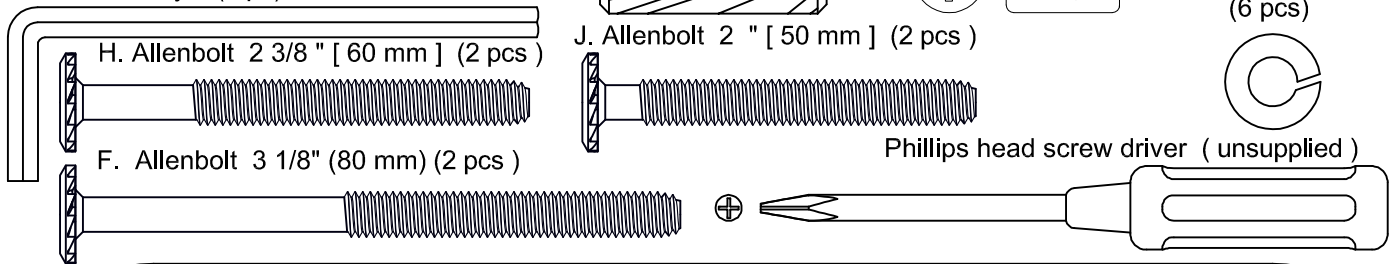
N. Allenkey (1 pc)

H. Allenbolt 2 3/8 " [60 mm] (2 pcs)

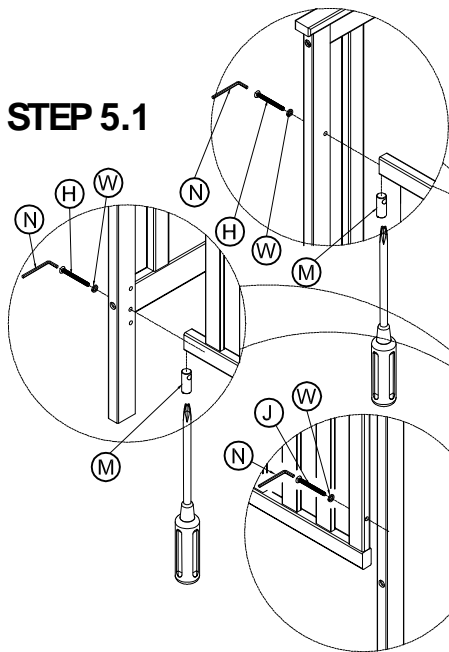
J. Allenbolt 2 " [50 mm] (2 pcs)

F. Allenbolt 3 1/8" (80 mm) (2 pcs)

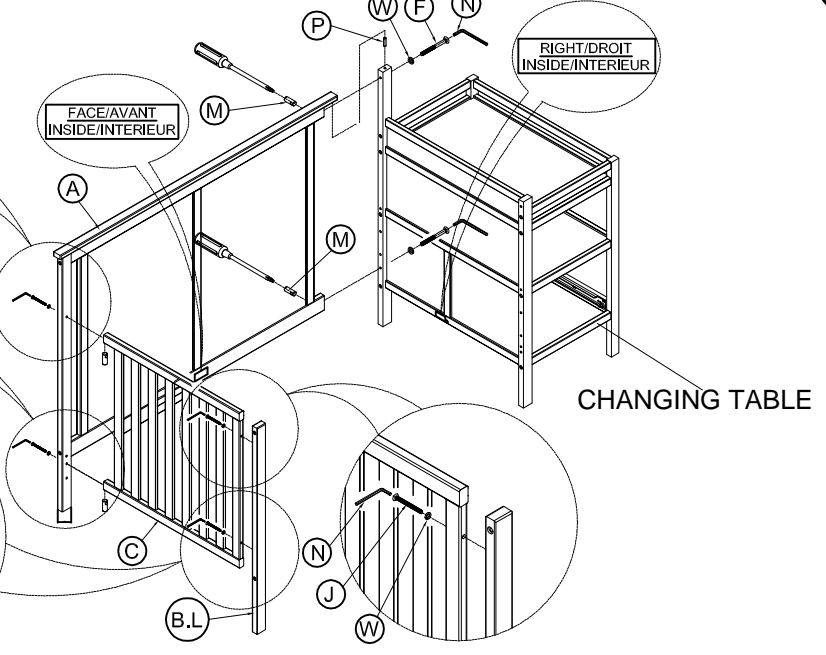
Phillips head screw driver (unsupplied)



STEP 5.1



STEP 5.3



STEP 5.2

STEP 5.1

- Insert barrel nut 5/8" x 3/8"(15 mm x 10 mm) (M) into the top and bottom holes in sideboard through the bottom side.
- Insert allenbolt 2 3/8 " [60 mm] (H), Spring Washer (W) through the top and bottom holes in headboard and connect to the sideboard. Hand tighten only!

STEP 5.2

- Insert allenbolt 2" [50 mm] (J), Spring Washer (W) through the top and bottom holes in sideboard and connect to the footboard leg (B.L). Hand tighten only!

STEP 5.3

- Insert wooden dowel (P) into the top hole on changing table back frame and into the hole in bottom side of headboard top frame.
- Insert barrel nut 5/8" x 3/8"(15 mm x 10 mm)(M) into the top and bottom holes in head board backside.
- Connect headboard to the changing table using 2 pcs allenbolt 3 1/8"(80 mm)(F), spring washer (W) and barrelnut (M).
- Tighten all bolts with allenkey (N).

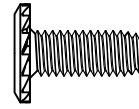
STEP 6 " SPRING INSTALLATION "

THIS STEP REQUIRES :

D. Mattress Spring (1 pc)

R. Allenbolt 5/8" [15 mm] (12 pcs)

N. Allenkey (1 pc)



W. Spring Washer (4 pcs)

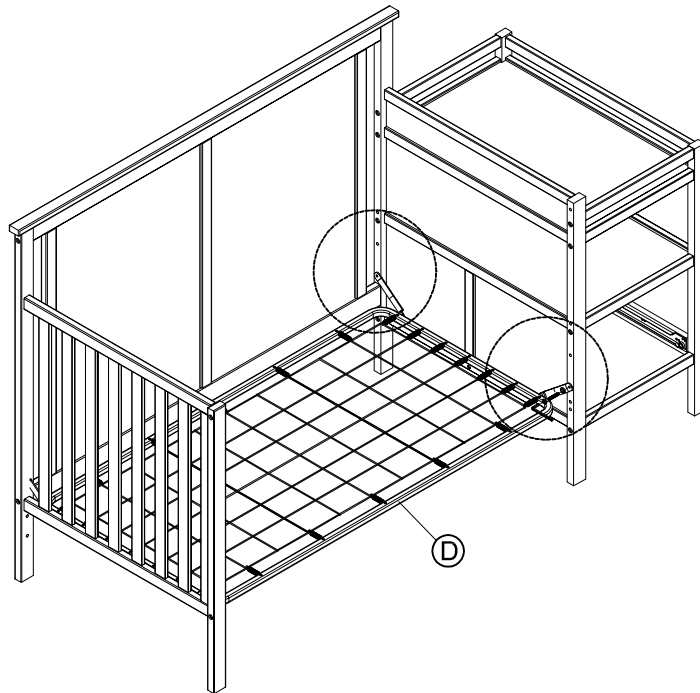


FIG.6.1

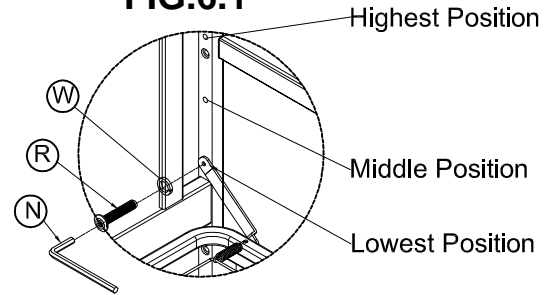


FIG.6.2

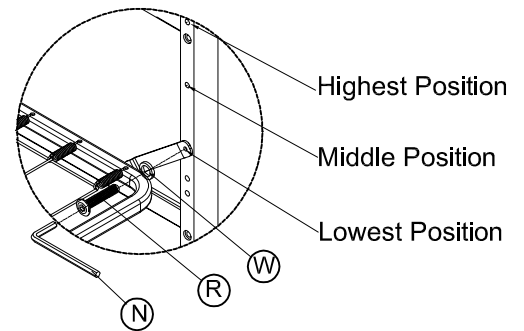


FIG.6.3

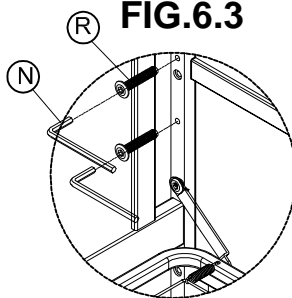
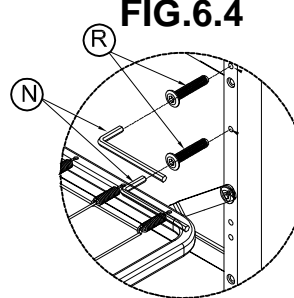


FIG.6.4



- Place mattress spring (D) in desired position into crib.
- Attach mattress spring (D) by inserting 4 pcs allenbolt 5/8"(15 mm)(R) and spring washer (W) through the holes in the bracket into the threaded holes on side frame as shown in FIG.6.1 & FIG.6.2.
- Secure with allenkey (N).
- See FIG.6.1 & 6.2 for height adjustment.
- Make sure the mattress spring is leveled after assembly.
- Insert the 8 (eight) allenbolt 5/8"(15 mm)(R) into the exposed threaded holes on side frame as shown in FIG.6.3 & 6.4.
- Tighten all bolts with allenkey (N).

STEP 7 " ASSEMBLY OF FOOTBOARD "

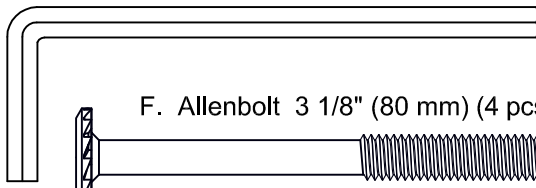
THIS STEP REQUIRES :

B. Footboard (1 pc)

N. Allenkey (1 pc)

P. Wooden Dowel
1 1/4" [30 mm] (2 pcs)

W. Spring Washer (4 pcs)



F. Allenbolt 3 1/8" (80 mm) (4 pcs)



M. Barrel Nut 5/8" x 3/8" (15 mm x 10 mm)(4 pcs)

Phillips head Screw Driver
(unsupplied)



FIG.7.1.1

STEP 7.1

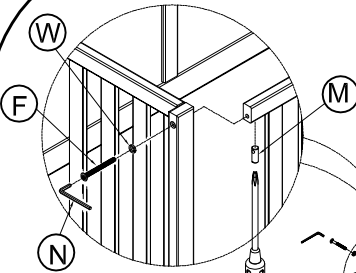
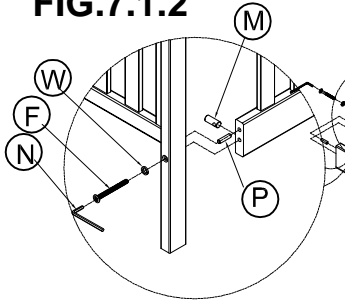


FIG.7.1.2



STEP 7.2

FIG.7.2.1

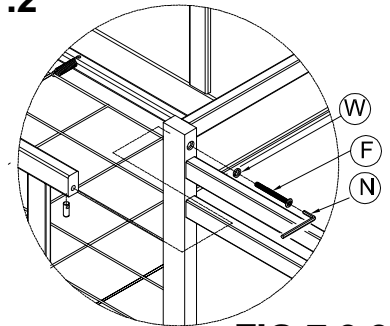
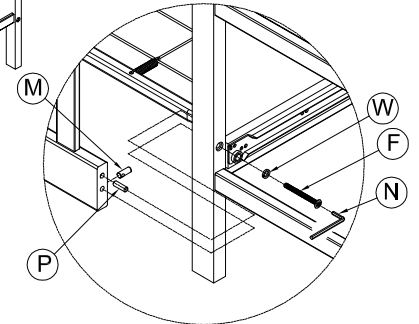


FIG.7.2.2



STEP 7.1

- Insert barrel nut (M) into the holes in top & bottom frame of footboard, as shown in FIG.7.1.1 & 7.1.2.
- Insert wooden dowel (P) into the top hole in footboard bottom frame as shown in FIG.7.1.2.
- Connect footboard to the sideboard using 2 pcs allenbolt 3 1/8"(80 mm)(F), spring washer (W), wooden dowel (P) and barrelnut (M), as shown in FIG.7.1.1 & 7.1.2. Hand tighten only.

STEP 7.2

- Insert barrel nut (M) into the holes in top & bottom frame of footboard, as shown in FIG.7.2.1 & 7.2.2.
- Insert wooden dowel (P) into the top hole in footboard bottom frame as shown in FIG.7.2.2.
- Connect footboard to the changing table using 2 pcs allenbolt 3 1/8"(80 mm)(F), spring washer (W), wooden dowel (P) and barrelnut (M), as shown in FIG.7.2.1 & 7.2.2. Hand tighten only.
- Tighten all bolts with allenkey (N).

STEP 8 " ASSEMBLY OF DRAWER BOX"

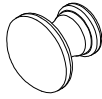
THIS STEP REQUIRES :

- V.1.Drawer front (1 pc)
- V.2.Drawer back (1 pc)
- V.3.Drawer bottom panel (1 pc)
- V.L.Drawer side (1 pc)
- V.R.Drawer side (1 pc)

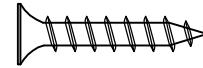
S. Round head screw
M4 x 25 mm (1 pc)



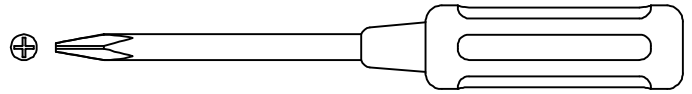
U. Drawer knob (1 pc)



Q. Screw 1" (25 mm) (12 pcs)



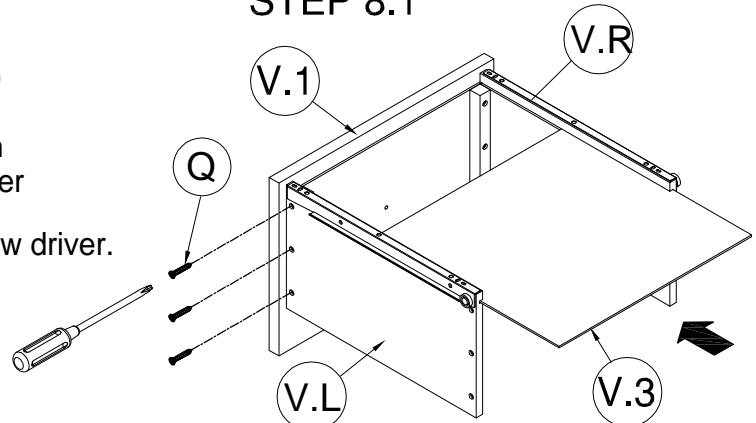
Phillip Head Screw driver (unsupplied)



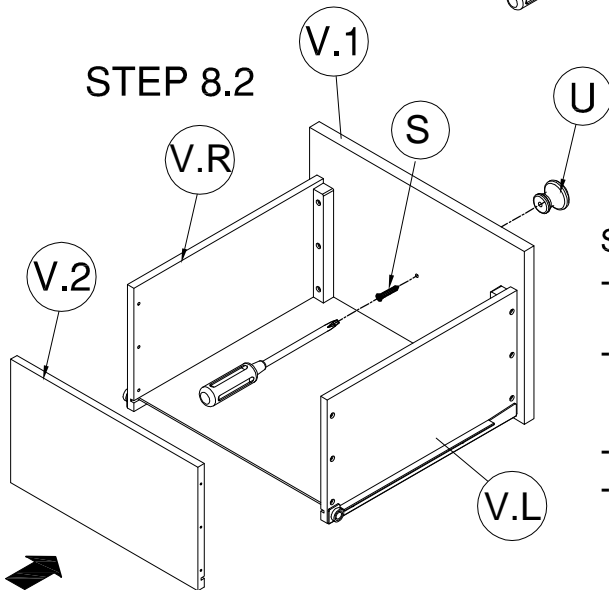
STEP 8.1

- First place the drawer bottom panel (V.3) into its appropriate position.
- Using a phillips head screw driver, attach the drawer sides (V.L & V.R) to the drawer front (V.1) using the 6 pcs screw (Q).
- Tighten all screws with phillips head screw driver.

STEP 8.1



STEP 8.2



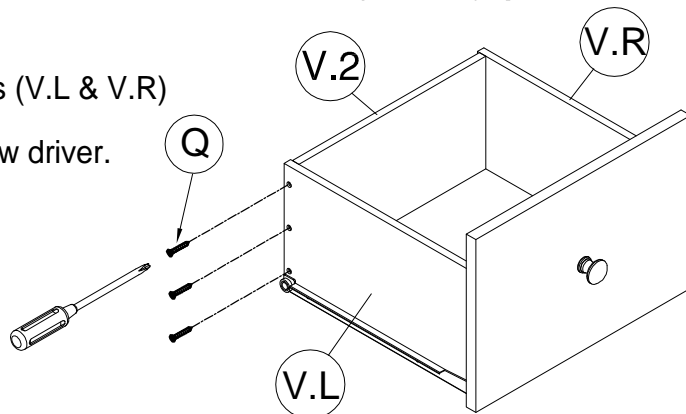
STEP 8.2

- Place the drawer knob (U) into its appropriate position on the drawer front (V.1).
- Insert round head screw (S) into the hole on back side of drawer front (V.1) and into the threaded hole on knob (U).
- Tighten all screws with phillips head screw driver.
- Place the drawer back (V.2) into its appropriate position.

STEP 8.3

- Using a phillips head screw driver, attach the drawer back (V.2) to the drawer sides (V.L & V.R) using the 6 pcs screw (Q).
- Tighten all screws with phillips head screw driver.

STEP 8.3

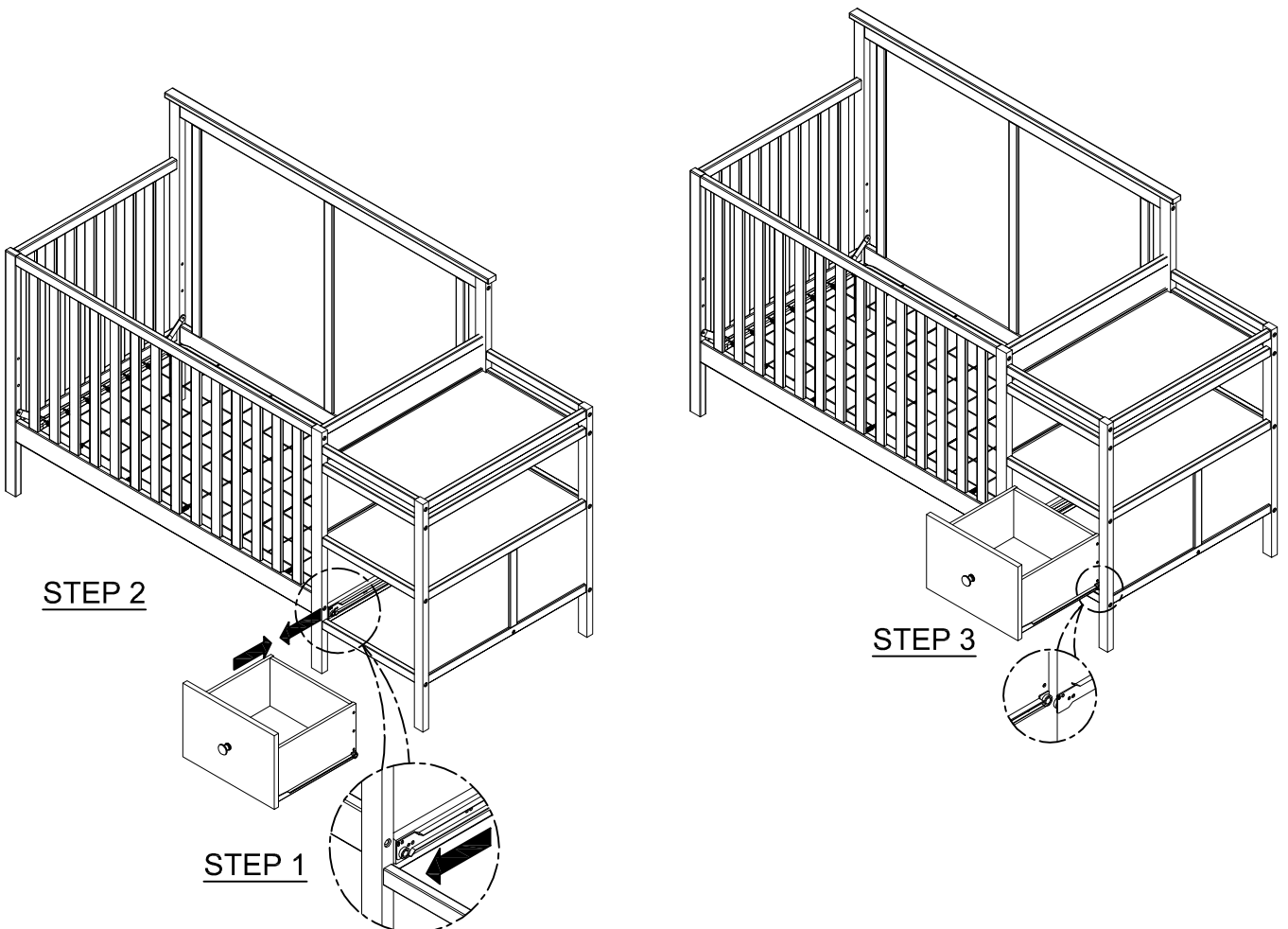


STEP 9 " INSTALL OF DRAWER BOX"

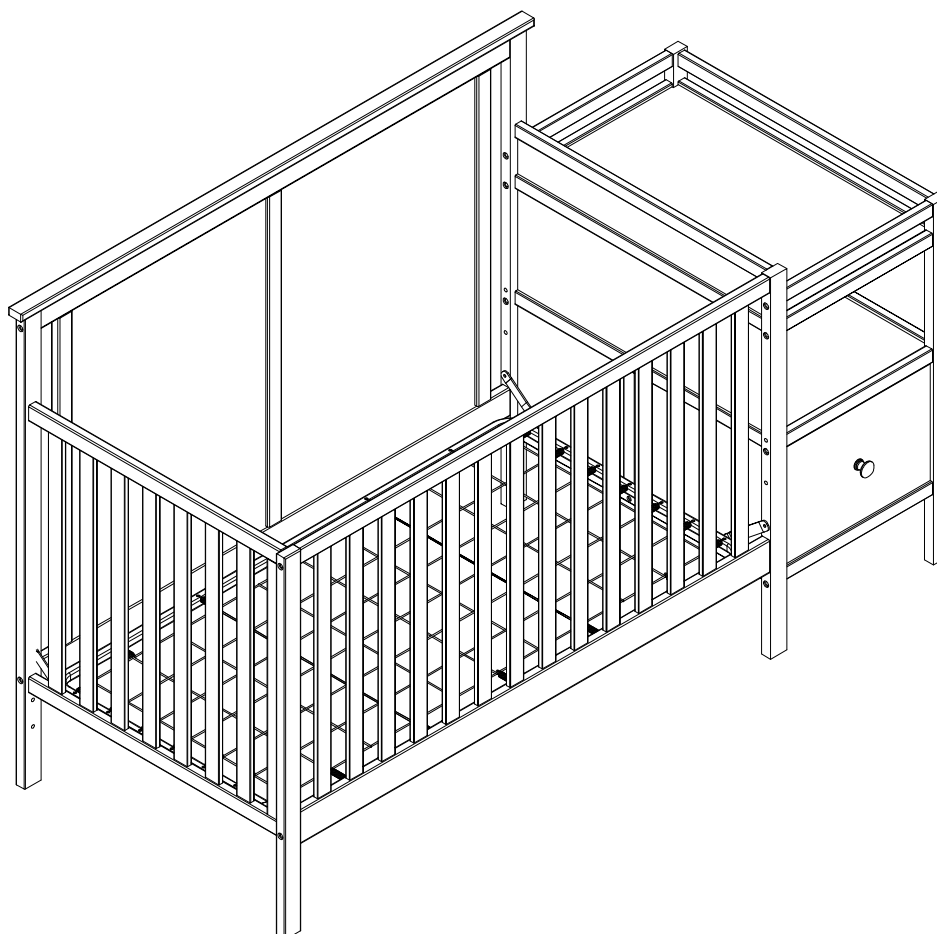
STEP 1 : INSERT THE DRAWER BY PULLING TRACK ON LEFT AND RIGHT CABINET MEMBERS ALL THE WAY FORWARD.

STEP 2 : ALLIGN TRACKS ON DRAWER WITH SLIDER AND PUSH IN THE DRAWER .

STEP 3 : CHECK FOR PROPER ALLIGATION BY INSPECTION THE DRAWER FRONT MARGINS FOR SPACING AND SQUARENESS.
OPEN AND CLOSE SLOWLY SEVERAL TIMES TO ENSURE THE PROPER INSTALLMENT.



FINAL POSITION AS SHOWN IN THIS FIGURE




⚠ WARNING

FALL HAZARD : CHILDREN HAVE SUFFERED SERIOUS INJURIES AFTER FALLING FROM CHANGING TABLES. FALLS CAN HAPPEN QUICKLY.

- **STAY** IN ARM'S REACH OF YOUR CHILD.
- THE MAXIMUM WEIGHT SHALL NOT BE GREATER THAN 30 LBS (13.6 KGS).

SUFFOCATION HAZARD : BABIES HAVE SUFFOCATED WHILE SLEEPING IN CHANGING AREAS. CHANGING AREAS ARE NOT DESIGNED FOR SAFE SLEEPING.

- **NEVER** ALLOW BABY TO SLEEP IN CHANGING AREA.

 **“CAUTION: ANY MATTRESS USED IN THIS CRIB MUST BE AT LEAST 27 1/4 INCHES (69 CM) BY 51 5/8 INCHES (131 CM) WITH A THICKNESS NOT EXCEEDING 6 INCHES (15 CM). THE DIMENSIONS OF THE MATTRESS SHALL BE TAKEN FROM SEAM TO SEAM OR EDGE TO EDGE WHERE APPROPRIATE.”**

 **WARNING!**


- READ ALL INSTRUCTIONS BEFORE ASSEMBLING CRIB.
KEEP INSTRUCTIONS FOR FUTURE USE.
 - FAILURE TO FOLLOW THESE WARNINGS AND THE ASSEMBLY INSTRUCTIONS COULD RESULT IN SERIOUS INJURY OR DEATH.
 - INFANTS CAN SUFFOCATE ON SOFT BEDDING. NEVER ADD A PILLOW OR COMFORTER. NEVER PLACE ADDITIONAL PADDING UNDER AN INFANT.
 - TO REDUCE THE RISK OF **SIDS**, PEDIATRICIANS RECOMMEND HEALTHY INFANTS BE PLACED ON THEIR BACKS TO SLEEP, UNLESS OTHERWISE ADVISED BY YOUR PHYSICIAN.
-
- STRANGULATION HAZARD:**
- STRINGS CAN CAUSE STRANGULATION! **DO NOT** PLACE ITEMS WITH A STRING AROUND A CHILD'S NECK, SUCH AS HOOD STRINGS OR PACIFIER CORDS. **DO NOT** SUSPEND STRINGS OVER A CRIB OR ATTACH STRINGS TO TOYS.
 - TO HELP PREVENT STRANGULATION TIGHTEN ALL FASTENERS. A CHILD CAN TRAP PARTS OF THE BODY OR CLOTHING ON LOOSE FASTENERS.
 - **DO NOT** PLACE CRIB NEAR WINDOW WHERE CORDS FROM BLINDS OR DRAPES MAY STRANGLE A CHILD.
-
- FALL HAZARD:**
- WHEN CHILD IS ABLE TO PULL TO A STANDING POSITION, SET MATTRESS TO LOWEST POSITION AND REMOVE BUMPERS PADS, LARGE TOYS AND OTHER OBJECTS THAT COULD SERVE AS STEPS FOR CLIMBING OUT.
 - STOP USING CRIB WHEN CHILD BEGINS TO CLIMB OUT OR REACHES THE HEIGHT OF 35 IN (89 CM). THE CHILD SHOULD BE PLACED IN A YOUTH OR REGULAR BED.
-
- CHECK THIS PRODUCT FOR DAMAGED HARDWARE, LOOSE JOINTS, LOOSE BOLTS OR OTHER FASTENERS, MISSING PARTS OR SHARP EDGES, BEFORE AND AFTER ASSEMBLY AND FREQUENTLY DURING USE. SECURELY TIGHTEN LOOSE BOLTS AND OTHER FASTENERS. **DO NOT** USE CRIB IF ANY PARTS ARE MISSING, DAMAGED OR BROKEN. CONTACT SUITE BEBE, 91 NEW ENGLAND AVENUE, PISCATAWAY, NEW JERSEY 08854, PHONE: 732-743-4490; EMAIL : INFO@SUITEBEBE.COM FOR REPLACEMENT PARTS AND INSTRUCTIONAL LITERATURE IF NEEDED. **DO NOT** SUBSTITUTE PARTS.
 - **DO NOT** USE A WATER MATTRESS WITH THIS CRIB.

WARNING!

- IF REFINISHING, USE A NON-TOXIC FINISH SPECIFIED FOR CHILDREN'S PRODUCTS.
- FOLLOW WARNINGS ON ALL PRODUCTS IN A CRIB.
UPON COMPLETION OF ASSEMBLY, BE SURE ALL SCREWS, BOLT AND FASTENING DEVICES HAVE BEEN SECURELY TIGHTENED. A FREQUENT CHECK SHOULD BE MADE.
- WHEN STORING CRIB, USE CAUTION AS EXTREME CHANGE IN TEMPERATURE OR HUMIDITY CAN COMPROMISE THE CRIB, MAKING IT EXTREMELY DANGEROUS TO YOUR CHILD. STORE THE CRIB IN A CLEAN DRY PLACE.
- USE CAUTION WHEN A VAPORIZER OR HUMIDIFIER IS IN USE. ALWAYS AIM VAPOR AWAY FROM THE CRIB AS WELL AS ANY OTHER WOODEN FURNITURE. PROLONGED PERIODS OF HUMIDITY IN STORAGE AS WELL AS THE HOME CAN COMPROMISE THE CRIB.
- AVOID USING VAPORIZERS AND HUMIDIFIER FOR PROLONGED PERIODS OF TIME.
- PLEASE DISPOSE ALL PACKAGING AND PLASTIC BAGS.
- PLEASE CLEAN THE CRIB WITH A DRY CLOTH AND USE MILD WOOD POLISH IF REQUIRED.
- NEVER USE PLASTIC SHIPPING BAGS OR OTHER PLASTIC FILM AS MATTRESS COVERS BECAUSE THEY CAN CAUSE SUFFOCATION.
- INFANTS CAN SUFFOCATE IN GAPS BETWEEN CRIB SIDES AND A MATTRESS THAT IS TOO SMALL.

WARNING

- DO NOT USE THIS CRIB IF YOU CANNOT EXACTLY FOLLOW THE INSTRUCTIONS THAT COME WITH IT.
- DO NOT USE THIS CRIB FOR A CHILD WHO CAN CLIMB OUT OF IT OR WHO IS TALLER THAN 90 CM.
- DO NOT PLACE ANY CORD, STRAP OR SIMILAR ITEM IN OR NEAR THIS CRIB THAT COULD BECOME WRAPPED AROUND A CHILD 'S NECK.
- DO NOT PLACE THIS CRIB NEAR A WINDOW OR PATIO DOOR WHERE A CHILD COULD REACH THE CORD OF A BLIND OR CURTAIN AND BE STRANGLLED.
- CHECK THIS CRIB REGULARLY BEFORE USING IT, AND DO NOT USE IT IF ANY PART IS LOOSE OR MISSING OR IF THERE ARE ANY SIGNS OF DAMAGE. DO NOT SUBSTITUTE PARTS. CONTACT SUITE BEBE, 91 NEW ENGLAND AVENUE, PISCATAWAY, NEW JERSEY 08854, PHONE: 732-743-4490; EMAIL: INFO@SUITEBEBE.COM IF REPLACEMENT PARTS OR ADDITIONAL INSTRUCTIONS ARE NEEDED.
- CHILDREN CAN SUFFOCATE ON SOFT BEDDING. DO NOT PLACE PILLOWS, COMFORTERS OR SOFT MATTRESSES IN THIS CRIB.
- USE A MATTRESS THAT IS NO THICKER THAN 15 CM AND IS OF SUCH A SIZE THAT, WHEN IT IS PUSHED FIRMLY AGAINST ANY SIDE OF THIS CRIB, IT DOES NOT LEAVE A GAP OF MORE THAN 3 CM BETWEEN THE MATTRESS AND ANY PART OF ANY OTHER SIDE OF THE CRIB.

 **“CAUTION: ANY MATTRESS USED IN THIS CRIB MUST BE AT LEAST 27 1/4 INCHES (69 CM) BY 51 5/8 INCHES (131 CM) WITH A THICKNESS NOT EXCEEDING 6 INCHES (15 CM). THE DIMENSIONS OF THE MATTRESS SHALL BE TAKEN FROM SEAM TO SEAM OR EDGE TO EDGE WHERE APPROPRIATE.”**

 **WARNING!**
FOR TODDLER BED USE

- READ ALL INSTRUCTIONS BEFORE ASSEMBLING TODDLER BED.
KEEP INSTRUCTIONS FOR FUTURE USE.
- FAILURE TO FOLLOW THESE WARNINGS AND THE ASSEMBLY INSTRUCTIONS COULD RESULT IN SERIOUS INJURY OR DEATH FROM ENTRAPMENT OR STRANGULATION.
- **CAUTION:** THE MATTRESS INTENDED FOR USE ON THE BED SHALL BE A FULL-SIZE CRIB MATTRESS HAVING MINIMUM DIMENSIONS OF 51 5/8 INCHES (1310 MM) IN LENGTH AND 27 1/4 INCHES (690 MM) IN WIDTH AND NOT EXCEEDING 6 INCHES (150 MM) IN THICKNESS. THE DIMENSIONS OF THE MATTRESS SHALL BE TAKEN FROM SEAM TO SEAM OR EDGE TO EDGE WHERE APPROPRIATE.
- THE MINIMUM AGE OF THE INTENDED USER SHALL NOT BE LESS THAN 15 MONTHS AND THE MAXIMUM WEIGHT SHALL NOT BE GREATER THAN 50 LB (22.7 KG).
- **GUARDRAIL (SOLD SEPARATELY) MUST BE USED** WHEN CRIB USED AS A TODDLER BED TO AVOID THE FORMATION OF A GAP BETWEEN THE MATTRESS AND THE BED THAT COULD CAUSE AN ENTRAPMENT.
- DO NOT PLACE BED NEAR WINDOWS WHERE CORDS FROM BLINDS OR DRAPES MAY STRANGLE A CHILD.
- **DO NOT** PLACE ITEMS WITH A STRING, CORD, OR RIBBON AROUND A CHILD'S NECK, SUCH AS HOOD STRINGS OR PACIFIER CORDS.
- **DO NOT** SUSPEND STRINGS OVER A TODDLER BED FOR ANY REASON.
- WHEN STORING TODDLER BED USE CAUTION AS EXTREME CHANGE IN TEMPERATURE OR HUMIDITY CAN COMPROMISE THE TODDLER BED MAKING IT EXTREMELY DANGEROUS TO YOUR CHILD. STORE THE TODDLER BED IN A CLEAN DRY PLACE.
- USE CAUTION WHEN A VAPORIZER OR HUMIDIFIER IS IN USE. ALWAYS AIM VAPOR AWAY FROM THE TODDLER BED AS WELL AS ANY OTHER WOODEN FURNITURE. PROLONGED PERIODS OF HUMIDITY IN STORAGE AS WELL AS THE HOME CAN COMPROMISE THE TODDLER BED.
- AVOID USING VAPORIZERS AND HUMIDIFIER FOR PROLONGED PERIODS OF TIME.
- PLEASE DISPOSE ALL PACKAGING AND PLASTIC BAGS.
- PLEASE CLEAN THE TODDLER BED WITH A DRY CLOTH AND USE MILD WOOD POLISH IF REQUIRED.
- **PREVENT BURNS.** KEEP BED AWAY FROM OPEN FIRES AND OTHER HEAT SOURCES.
- CHECK THIS PRODUCT FOR DAMAGED HARDWARE, LOOSE JOINTS, LOOSE BOLTS OR OTHER FASTENERS, MISSING PARTS OR SHARP EDGES BEFORE AND AFTER ASSEMBLY AND FREQUENTLY DURING USE. SECURELY TIGHTEN LOOSE BOLTS AND OTHER FASTENERS. **DO NOT** USE CRIB IF ANY PARTS ARE MISSING, DAMAGED OR BROKEN. CONTACT SUITE BEBE, 91 NEW ENGLAND AVENUE, PISCATAWAY, NEW JERSEY 08854; PHONE: 732-743-4490; EMAIL: INFO@SUITEBEBE.COM FOR REPLACEMENT PARTS AND INSTRUCTIONAL LITERATURE IF NEEDED. **DO NOT** SUBSTITUTE PARTS.

WARNING ENTRAPMENT/STRANGULATION HAZARD

- INFANTS HAVE DIED IN TODDLER BEDS FROM ENTRAPMENT AND STRANGULATION.
- FAILURE TO FOLLOW THESE WARNINGS AND THE ASSEMBLY INSTRUCTIONS COULD RESULT IN SERIOUS INJURY OR DEATH.
- **NEVER** USE BED WITH CHILDREN UNDER 15 MONTHS.
- **NEVER** PLACE BED NEAR WINDOWS WHERE CORDS FROM BLINDS OR DRAPES MAY STRANGLE A CHILD.

WARNING

INFANTS HAVE DIED IN TODDLER BEDS FROM ENTRAPMENT.

- OPENINGS IN AND BETWEEN BED PARTS CAN ENTRAP HEAD AND NECK OF A SMALL CHILD.
- **NEVER** USE BED WITH CHILDREN YOUNGER THAN 15 MONTHS.
- **ONLY** USE FULL-SIZE CRIB MATTRESS OF THE RECOMMENDED SIZE.
- **ALWAYS** FOLLOW ASSEMBLY INSTRUCTIONS.

WARNING

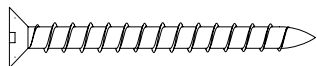
STRANGULATION HAZARD

- **NEVER** PLACE BED NEAR WINDOWS WHERE CORDS FROM BLINDS OR DRAPES MAY STRANGLE A CHILD.
- **NEVER** SUSPEND STRINGS OVER BED.
- **NEVER** PLACE ITEMS WITH A STRING, CORD, OR RIBBON, SUCH AS HOOD STRINGS OR PACIFIER CORDS, AROUND A CHILD'S NECK. THESE ITEMS MAY CATCH ON BED PARTS.

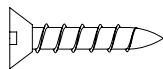
FURNITURE TIPPING DETERRENT HARDWARE

Z. Tip over restraint (1 set)

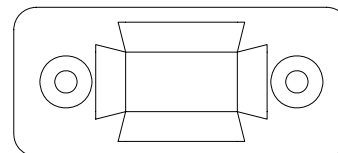
Screw 1 1/2" (38 mm) (2 pcs)



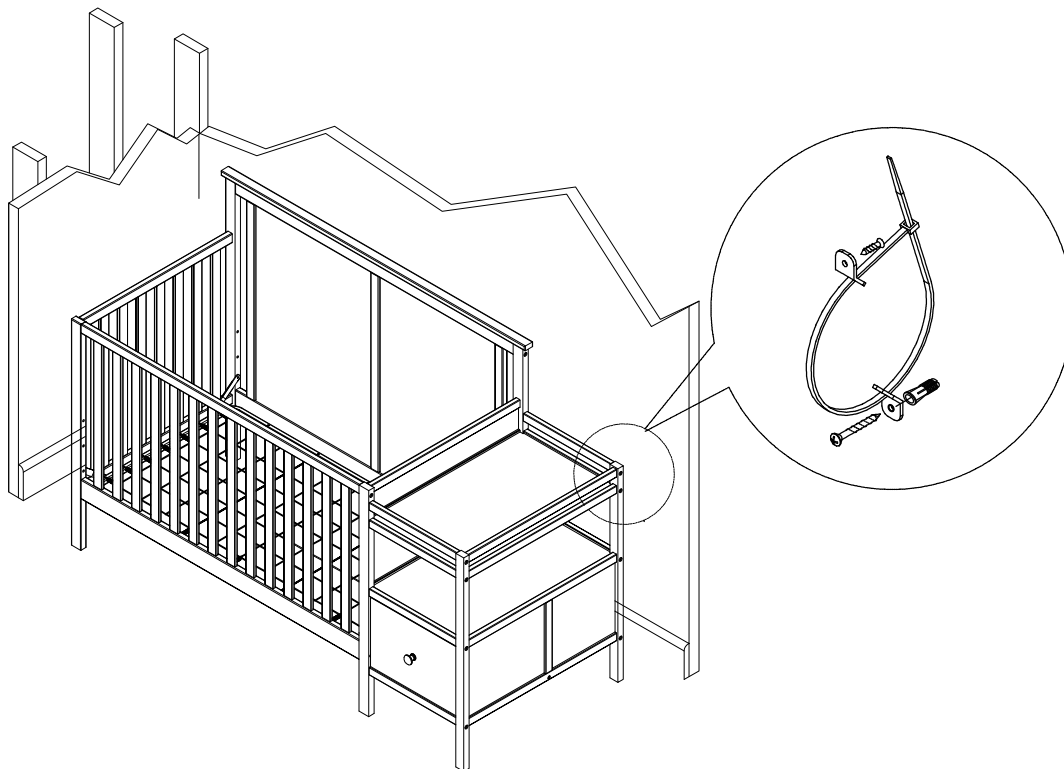
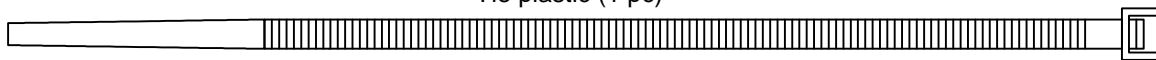
Screw 3/4" (20 mm) (2 pcs)



Safety Bracket (1 pc)



Tie plastic (1 pc)



Tipping furniture may injure young children. Use of this tipping restraint hardware is highly recommended. This hardware, when properly installed, could provide protection against the unexpected tipping of furniture due to improper use.

⚠ WARNING : This hardware is only a deterrent. Adult supervision is the only proper deterrent to prevent improper use of the units.

This tip restraint must be attached to a wall stud using the 1 1/2" (38mm) screw enclosed.

1. Attach a bracket securely to the back top rail of the furniture using 3/4" (20mm) screw provided, through the smaller hole.
2. Locate the other bracket on the wall over a wall stud and 2 inches (50mm) below the mounting bracket secured to the back of your unit. Attach to the wall stud using the 1 1/2" (38mm) screw provided, through the smaller hole.
3. Place the furniture into position so both mounting brackets are vertically in line.
4. Lace the end of the restraint strap through the larger hole in each mounting bracket. Bring both ends together and slide the flat end through the locking end and draw it through until all slack is removed.
5. Confirm that the strap is securely lace and locked.

WARNING



Children have died from furniture tipover.

To reduce the risk of furniture tipover:

- ALWAYS install tipover restraint provided.
- NEVER put a TV on this product.
- NEVER allow children to stand, climb or hang on drawers, doors, or shelves.
- NEVER open more than one drawer at a time.
- Place heaviest items in the lowest drawers.



This is a permanent label. Do not remove!

AVERTISSEMENT



Les enfants peuvent devenir les victimes du renversement des meubles.

Pour réduire ce risque:

- TOUJOURS installer la sangle contre le renversement fournie.
- NE JAMAIS mettre une télé sur ce produit.
- NE JAMAIS laisser les enfants utiliser les tiroirs, portes ou étagères pour se mettre debout, escalader ou s'accrocher.
- NE JAMAIS ouvrir plus d'un tiroir à la fois.
- Mettre les objets les plus lourds dans les tiroirs les plus bas.



Cette étiquette est permanente. Ne pas enlever!

ADVERTENCIA



Muebles podrían volcarse. Niños han muerto debido a ello. Para reducir el riesgo de que un mueble se vuelque:

- SIEMPRE instale el gancho de restricción proporcionado.
- NUNCA coloque una TV sobre este producto.
- NUNCA permita que un niño se pare, escale o se cuelgue de las gavetas, puertas o repisas.
- NUNCA abra más de una gaveta a la vez.
- Coloque los artículos más pesados en las gavetas más bajas.

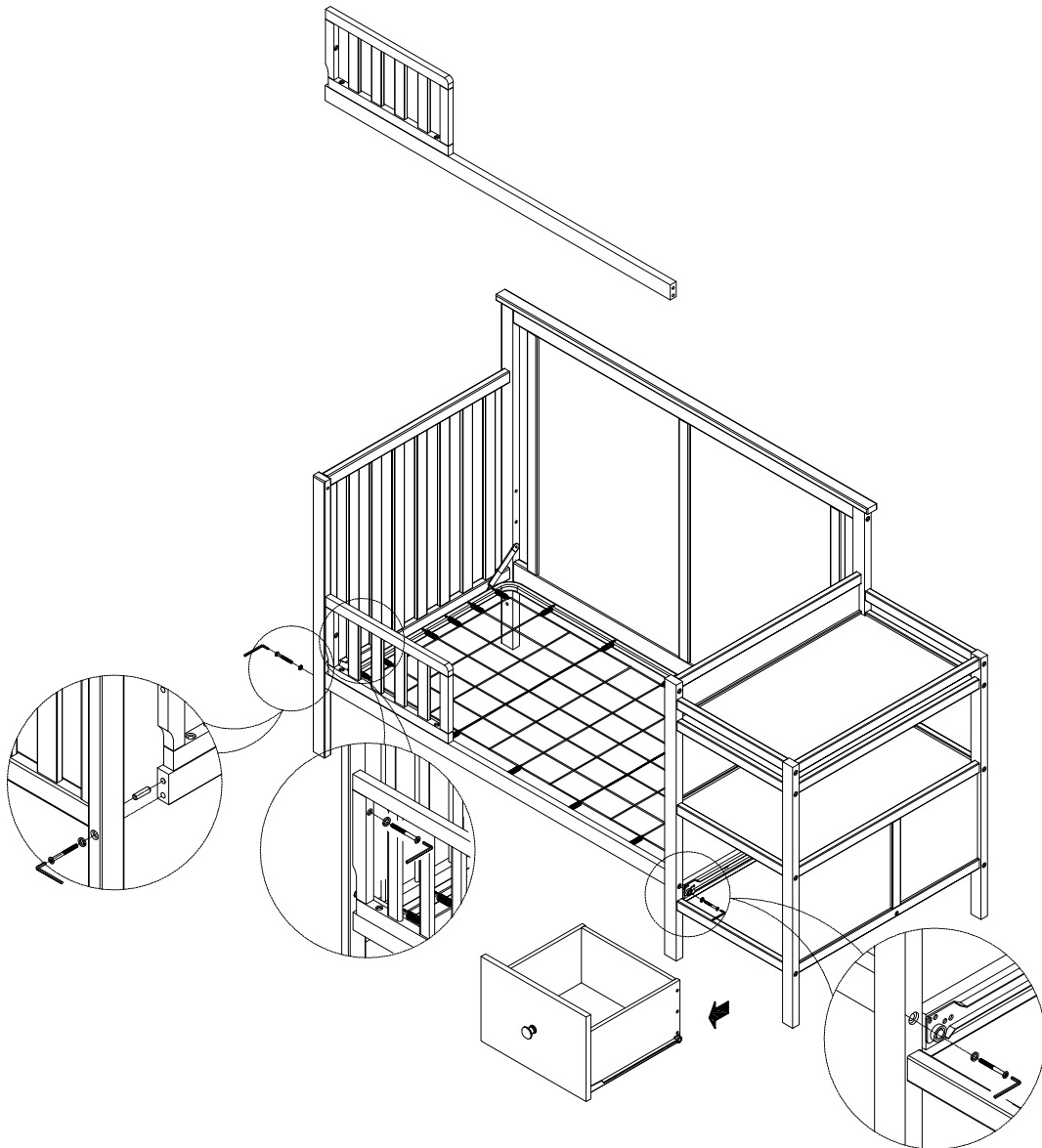


Esta etiqueta es permanente. ¡No remueva!

CONVERTING CRIB TO A TODDLER BED

(Guard rail and stabilizer bar and converting bolts are sold separately)

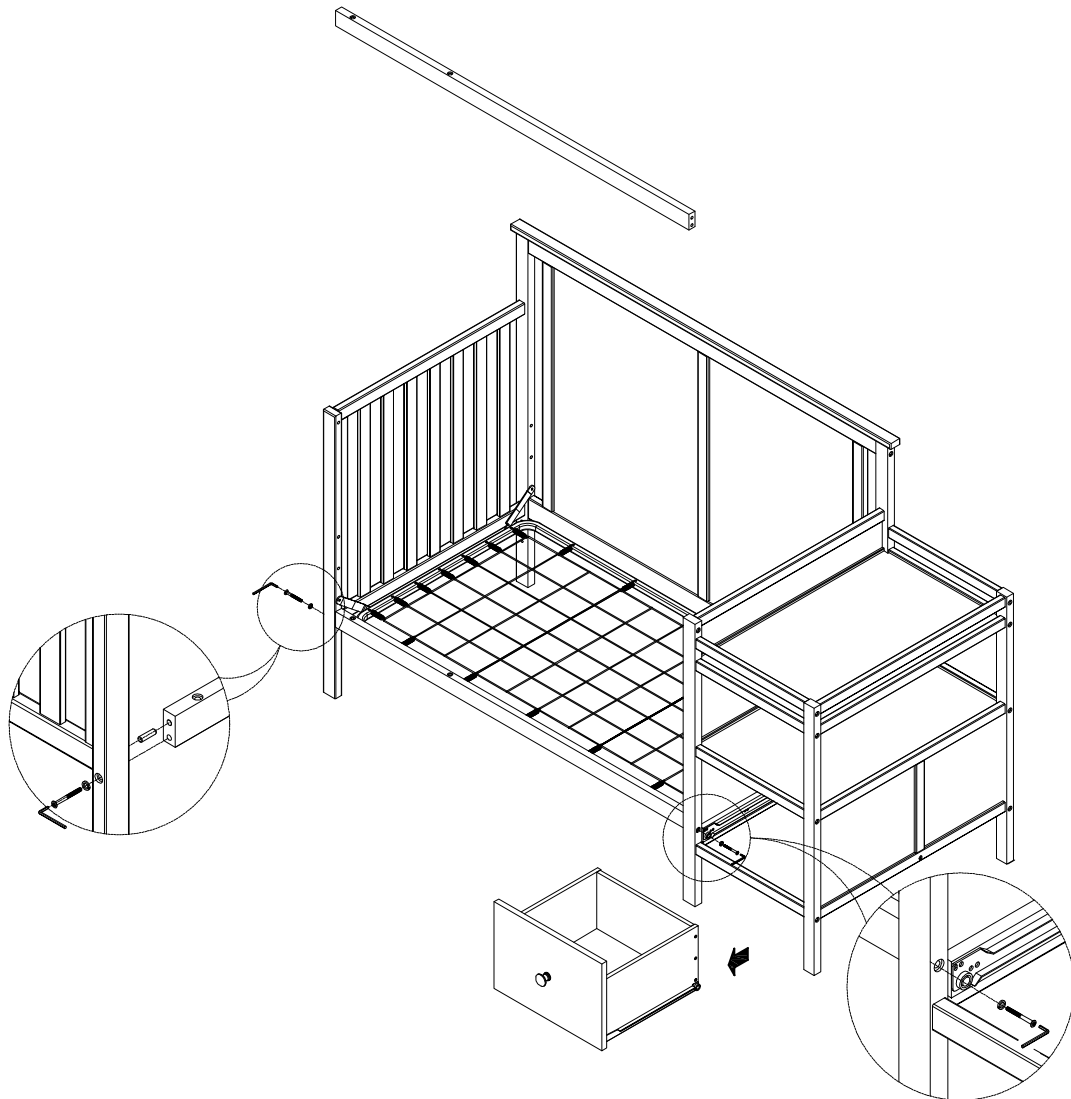
Please note that the warning labels placed on the cribs to keep parents and caregivers informed is a requirement by law under CPSC and ASTM.
We do apologize for any inconvenience this may cause you.



GUARD RAIL and STABILIZER BAR sold separately.
Please contact retailer.

CONVERTING CRIB TO A DAYBED

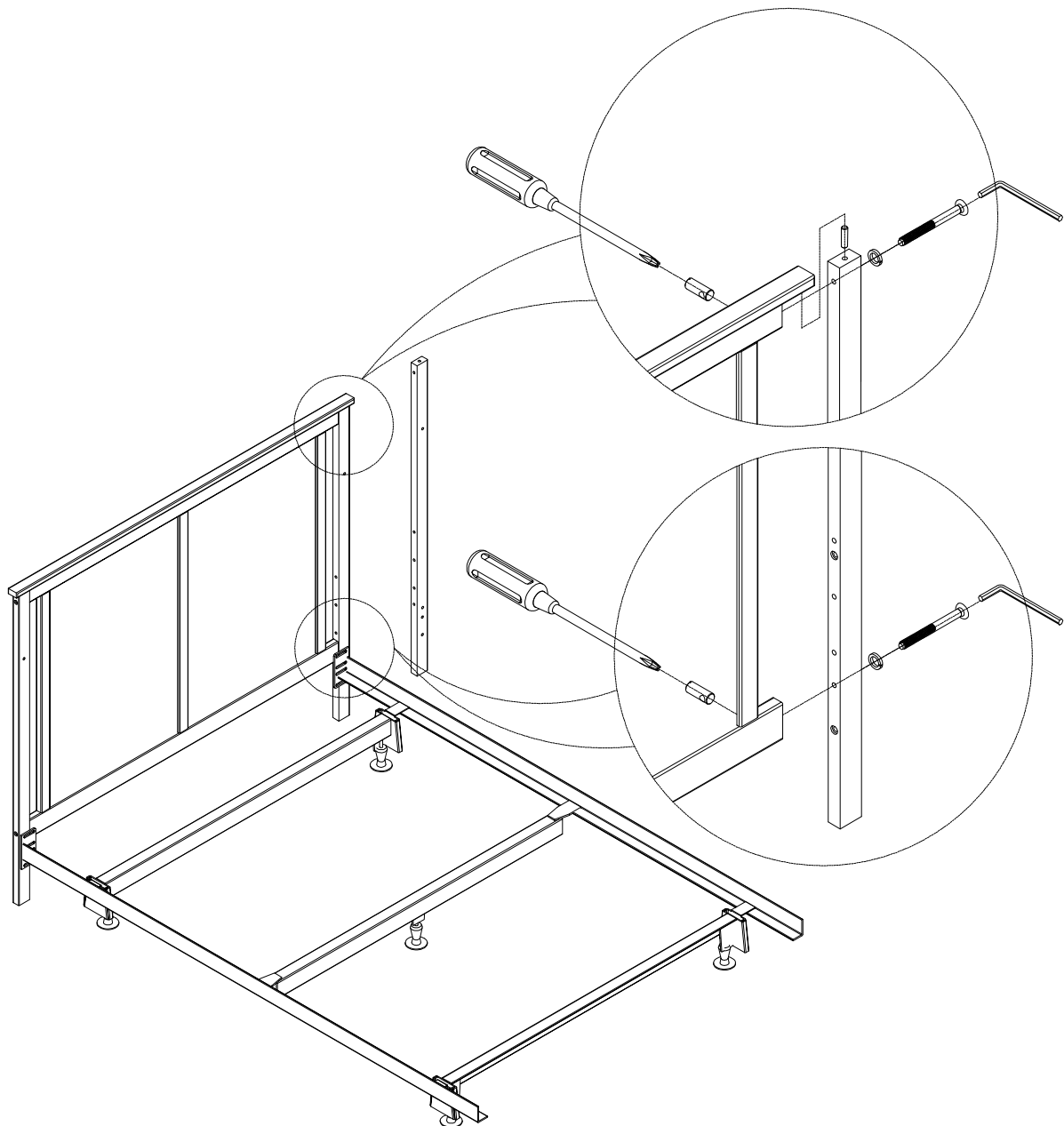
(Stabilizer bar and converting bolts are sold separately)



STABILIZER BAR sold separately.
Please contact retailer.

CONVERTING CRIB TO A FULL-SIZE BED

(Bed frame and conversion leg and converting bolts are sold separately)



BED FRAME and CONVERSION LEG sold separately.
Please contact retailer.