

Read all instructions BEFORE assembly and USE of product.  
KEEP INSTRUCTIONS FOR FUTURE USE.

# ASSEMBLY INSTRUCTIONS

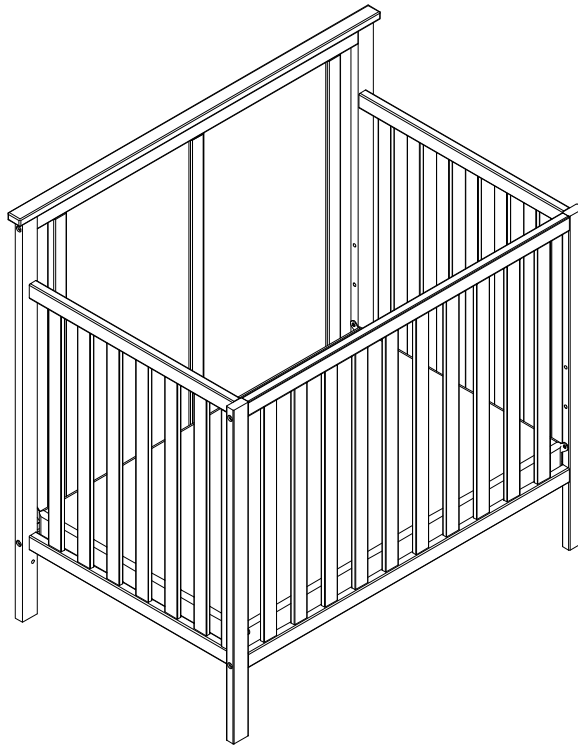
## for 3 in 1 Mini Crib<sup>®</sup>

### CONNELLY

### Model # 27599

~ *Featuring Dual Sided - Two Finish option panels* ~

Your choice of a classic solid panel or for a more contemporary look, the dual tone option with the vintage walnut / rockport gray color



*suitebébé*



sample tested to meet U.S. Federal, ASTM and other safety requirements

**"THE PRODUCT IMAGES SHOWN ARE FOR ILLUSTRATION PURPOSES ONLY AND MAY NOT BE AN EXACT REPRESENTATION OF THE PRODUCT."**

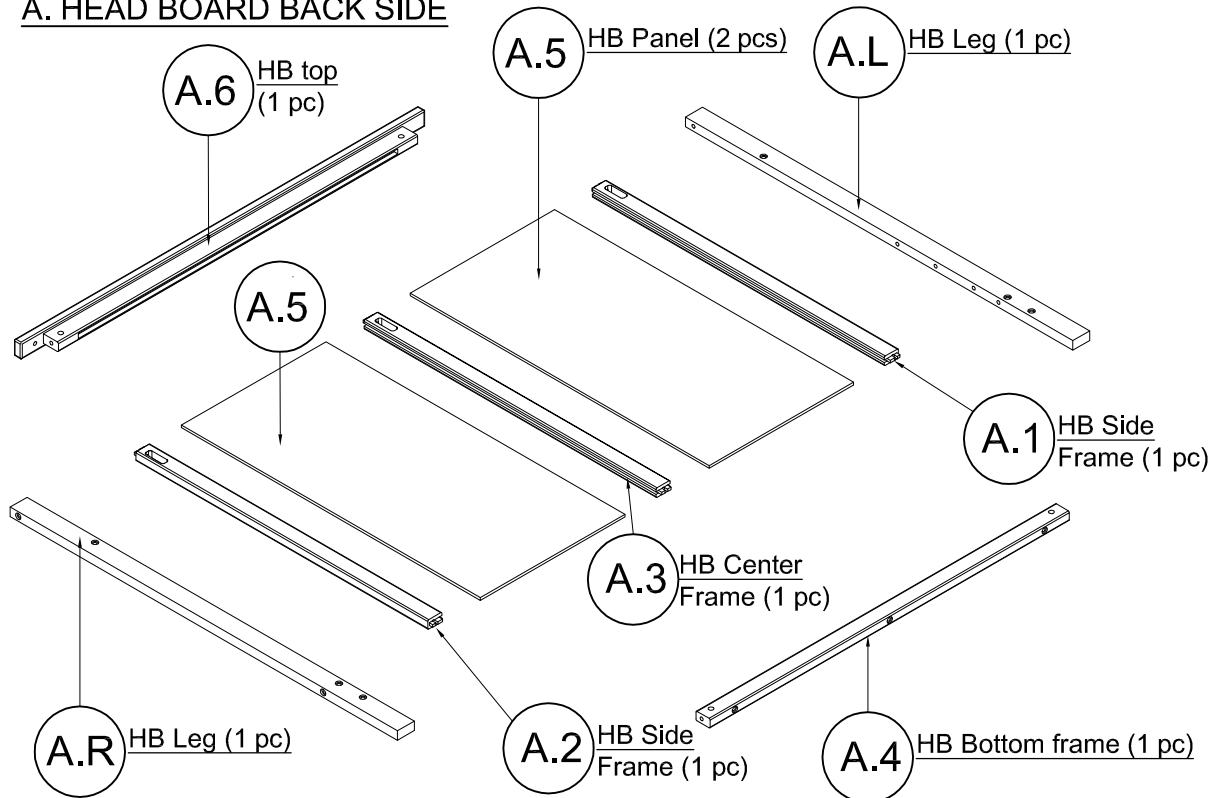
STABILIZER BAR and CONVERSION KIT sold separately.  
Please contact retailer.

Carefully remove and lay out all parts. Familiarize yourself with all exhibits and diagrams to facilitate the assembly of your crib

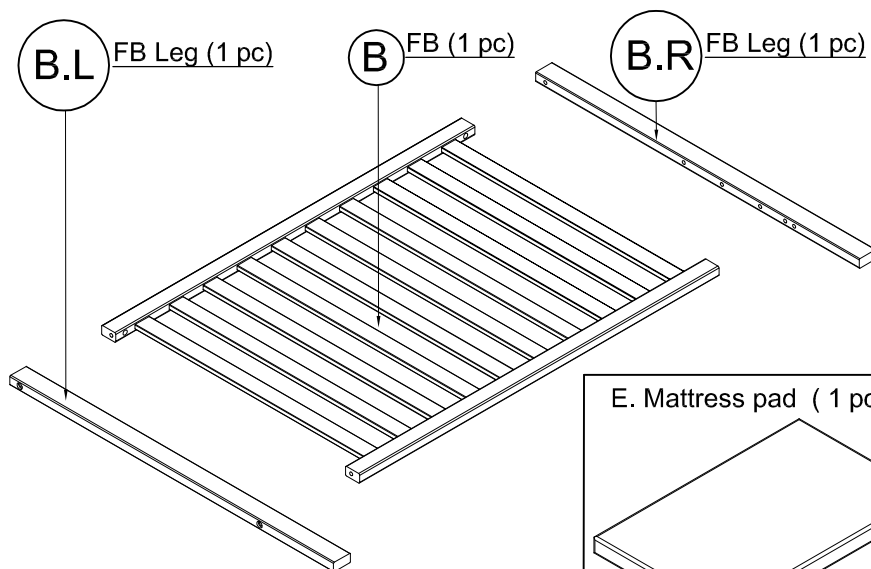
**THE DUAL TONE HB PANEL ( A.5 ) IS REVERSIBLE.  
YOU CAN CHOOSE WHICH SIDE COLOR AS YOUR PREFERRED.**

### PART ENCLOSED IN CARTON

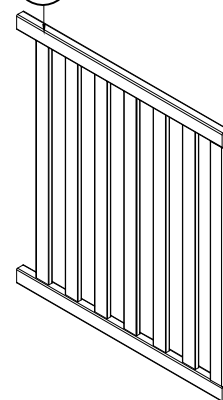
#### A. HEAD BOARD BACK SIDE



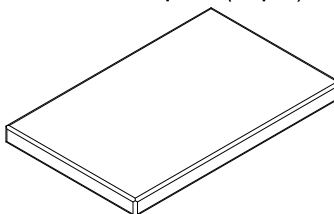
#### B. FOOT BOARD



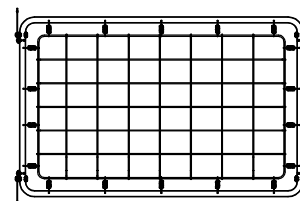
#### C Side Board (2 pcs)



#### E. Mattress pad ( 1 pc )

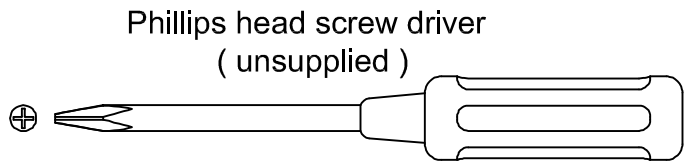
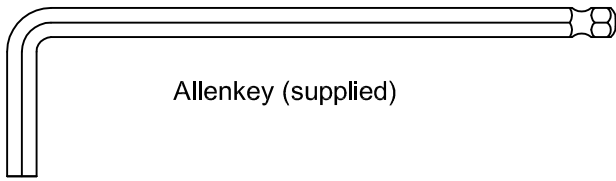


#### D. Mattress Spring ( 1 pc )

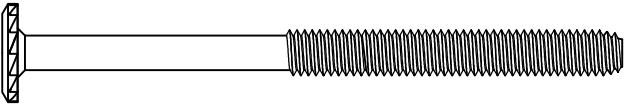

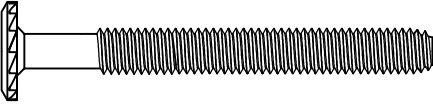

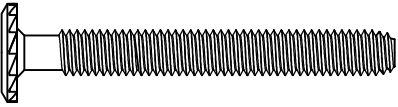

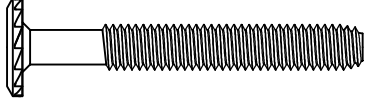

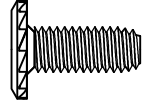


Carefully remove and lay out all parts. Familiarize yourself with all exhibits and diagrams to facilitate the assembly of your crib

TOOLS REQUIRED :



**HARDWARE**

<p>F. Allenbolt 3 1/8" (80 mm) (8 pcs )</p> 	<p>M. Barrel Nut 5/8" x 3/8" (15 mm x 10 mm)(12 pcs )</p> 
<p>G. Allenbolt 2 1/4 " [ 55 mm ] (4 pcs )</p> 	<p>P. Wooden Dowel 1 1/4" [30 mm] (2 pcs)</p> 
<p>J. Allenbolt 2" [ 50 mm ] (4 pcs )</p> 	<p>W. Spring Washer (26 pcs)</p> 
<p>K. Allenbolt 1 3/4" [45 mm] (6 pcs)</p> 	<p>N. Allenkey (1 pc ) (Length may vary)</p> 
<p>R. Allenbolt 5/8" [15 mm] (12 pièces)</p> 	

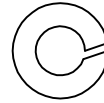
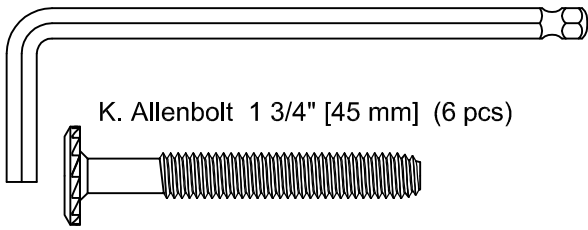
Make sure the bolts are tightly locked against the washers during assembly.  
(Please add an extra 1/2 revolution to all the bolts when using spring washer after tightening)

# STEP 1 " ASSEMBLY OF HEAD BOARD FRAME "

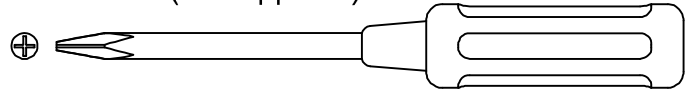
## THIS STEP REQUIRES :

- A.1 HB side frame (1 pc)
- A.2 HB side frame (1 pc)
- A.3 HB center frame (1 pc)
- A.4 HB bottom frame (1 pc)
- A.5 HB panel (2 pcs)
- A.6 HB top (1 pc)
- N. Allenkey (1 pc)

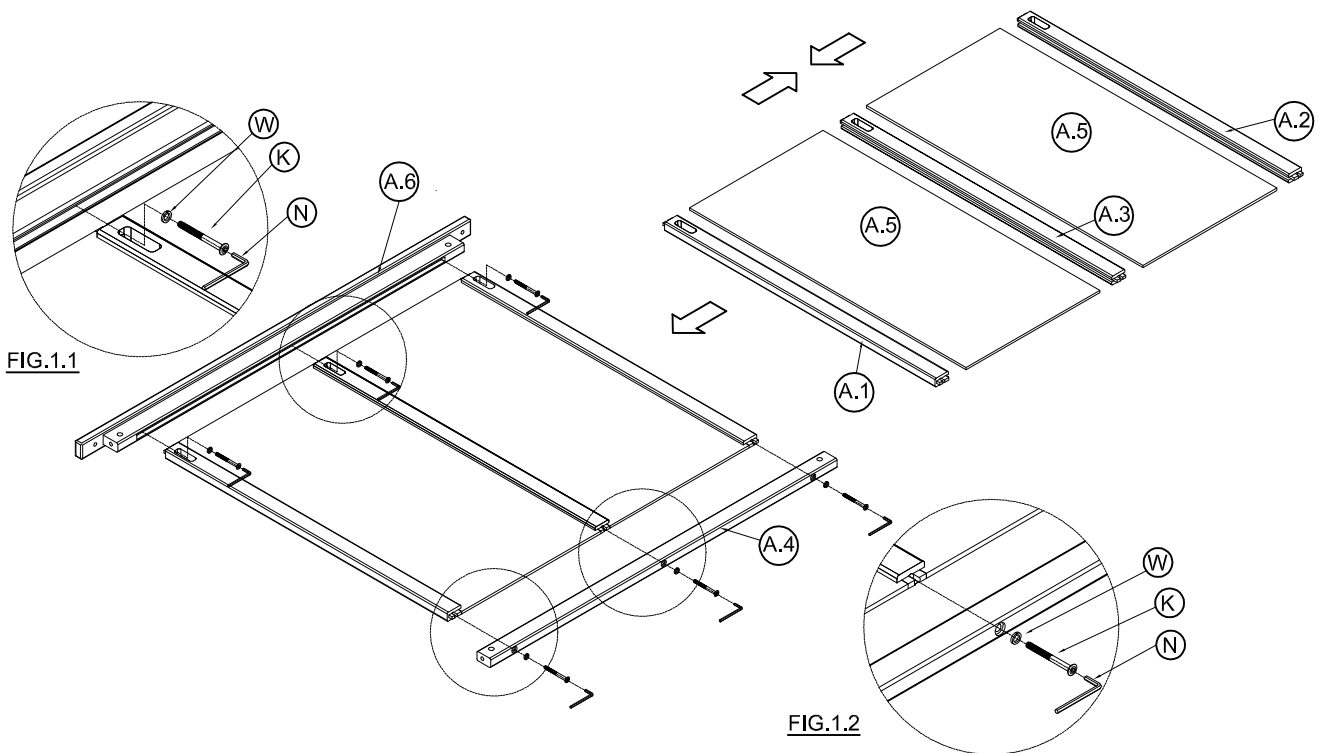
W. Spring Washer  
(6 pcs)



Phillips head screw driver  
(unsupplied)



### HEAD BOARD BACK SIDE



- Take out the HB panels (A.5) from the carton and choose which side of the panel needs to face towards the outside (The panel is reversible depending on color chosen).  
**PLEASE REMEMBER THE PANEL ON THIS FIG.1 WILL BE FACING BACKSIDE.**
- Insert 2 pcs HB panels (A.5) into the side frame (A.1 and A.2) and center frame (A.3).
- Connect (2 pcs) headboard panels (A.5), headboard frames (A.1, A.2 and A.3) to the headboard top (A.6) and headboard bottom frame (A.4) using allenbolt 1 3/4" (45 mm)(K) and spring washer (W), as shown in FIG.1.1 & FIG.1.2.
- Make sure all panels are inserted properly into the grooves.
- Tighten all bolts with allenkey (N).

## STEP 2 " ASSEMBLY OF HEAD BOARD LEG"

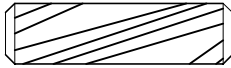
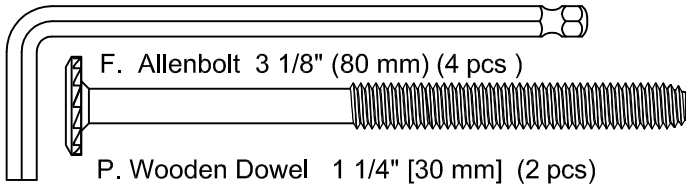
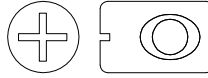
### THIS STEP REQUIRES :

A.L. HB Leg (1 pc)  
A.R. HB Leg (1 pc)

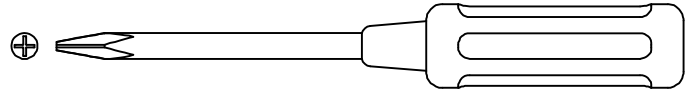
N. Allenkey (1 pc)

M. Barrel Nut 5/8" x 3/8"  
(15 mm x 10 mm) (4 pcs)

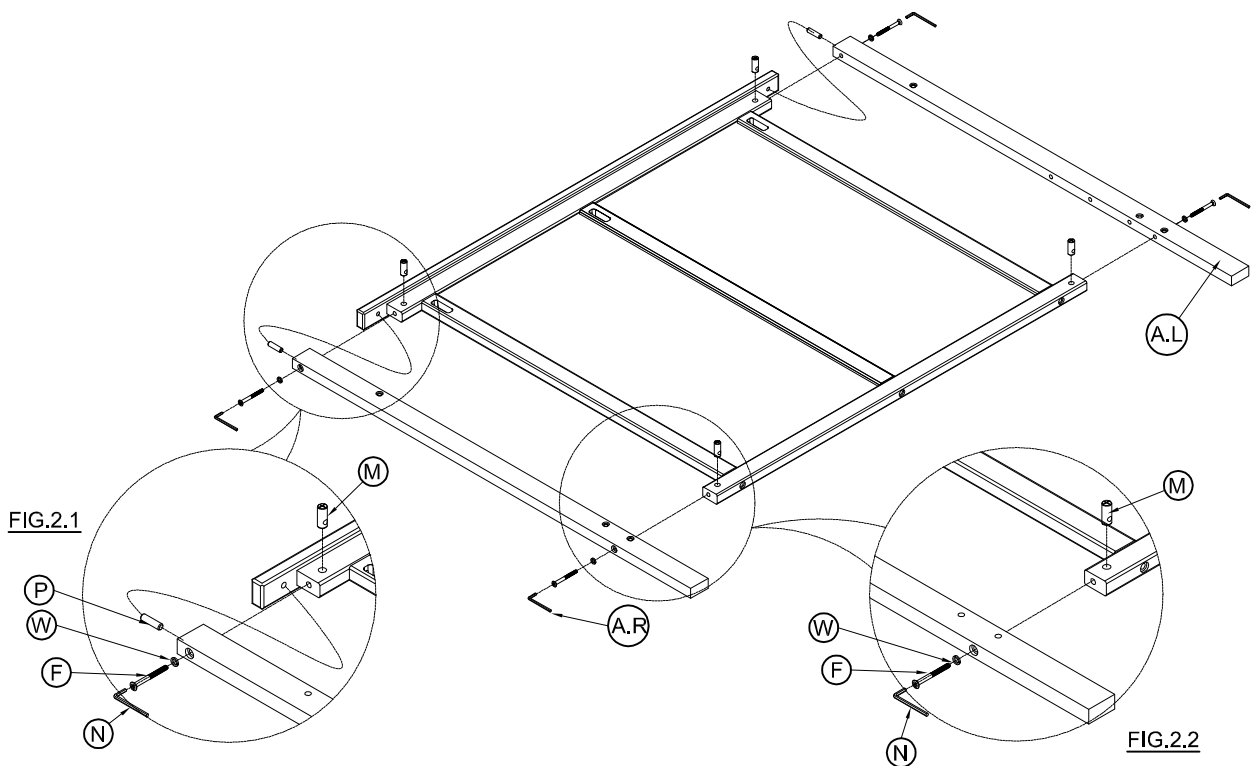
W. Spring Washer  
(4 pcs)



Phillips head screw driver  
( unsupplied )



### HEAD BOARD BACK SIDE



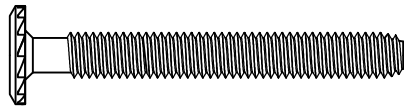
- Connect HB Leg (A.L & A.R) to the Headboard top (A.6) and headboard bottom frame (A.4) using (4 pcs) allenbolt 3 1/8" (80 mm) (F), Spring Washer (W) & barrel nut (M), as shown in FIG. 2.1 & 2.2.
- Tighten all bolts with allenkey (N).

## STEP 3 " ASSEMBLY OF CRIB SIDES "

### THIS STEP REQUIRES :

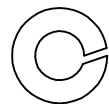
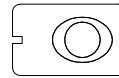
A. Head Board (1 pc)  
 B.L. FB Leg (1 pc)  
 B.R. FB Leg (1 pc)  
 C. Side Board (2 pcs)  
 N. Allenkey (1 pc)

J. Allenbolt 2" [ 50 mm ] (4 pcs )

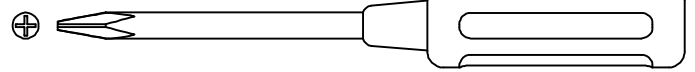
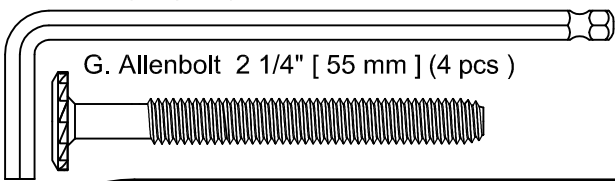


M. Barrel Nut 5/8" x 3/8"  
 (15 mm x 10 mm)(4 pcs )

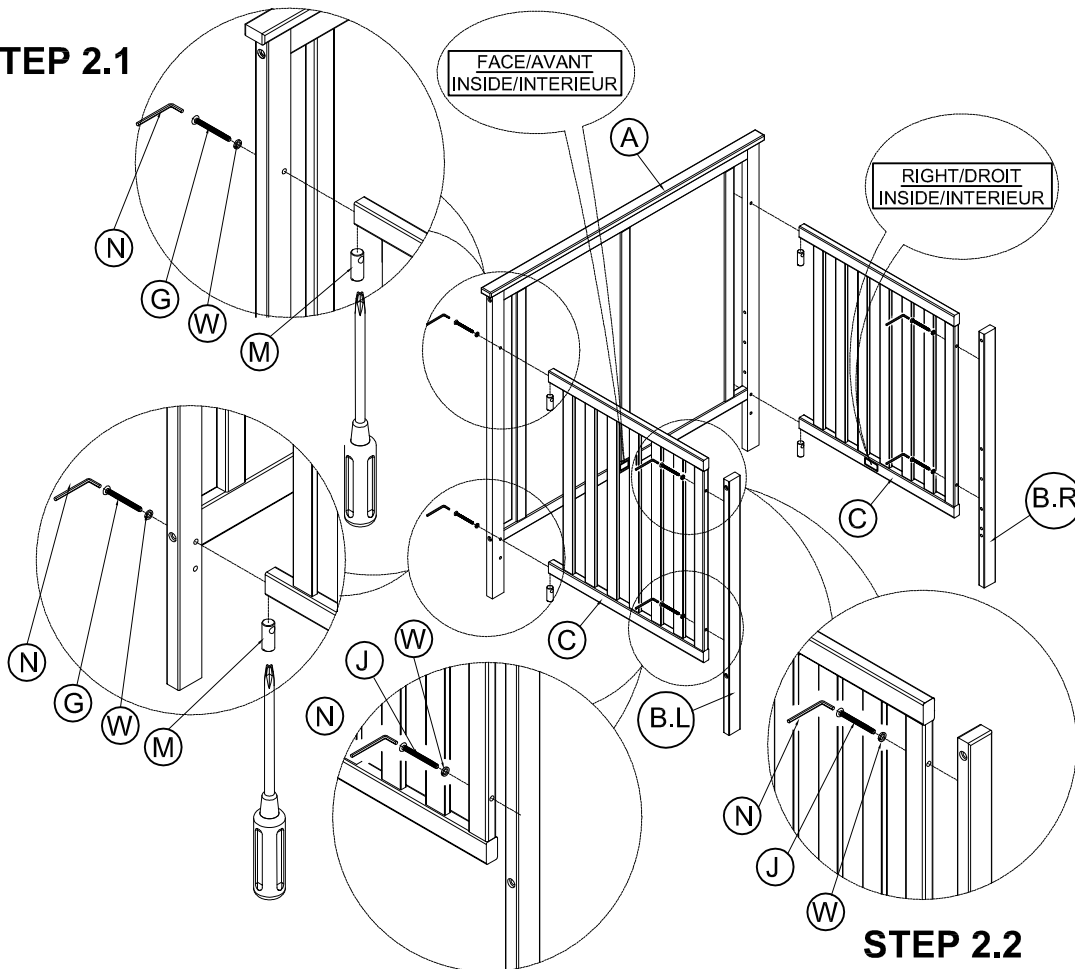
W. Spring Washer  
 (8 pcs)



Phillips head screw driver  
 ( unsupplied )



### STEP 2.1



### STEP 2.2

#### STEP 2.1

- Insert barrel nut 5/8" x 3/8"(15 mm x 10 mm) (M) into the top and bottom holes in sideboard through the bottom side.
- Insert allenbolt 2 1/4" (55 mm) (G), Spring Washer (W) through the top and bottom holes in headboard and connect to the sideboard. Hand tighten only!
- Repeat STEP 2.1 for other sideboard.

#### STEP 2.2

- Insert allenbolt 2" [50 mm] (J), Spring Washer (W) through the top and bottom holes in sideboard and connect to the footboard leg (B.L / B.R). Hand tighten only!
- Repeat STEP 2.2 for other sideboard.
- Tighten all bolts with allenkey (N).

# STEP 4 " MATTRESS SUPPORT INSTALLATION "

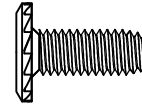
## THIS STEP REQUIRES :

D. Mattress Spring (1 pc)

N. Allenkey (1 pc)



R. Allenbolt 5/8" [15 mm] (12 pcs)



W. Spring Washer (4 pcs)

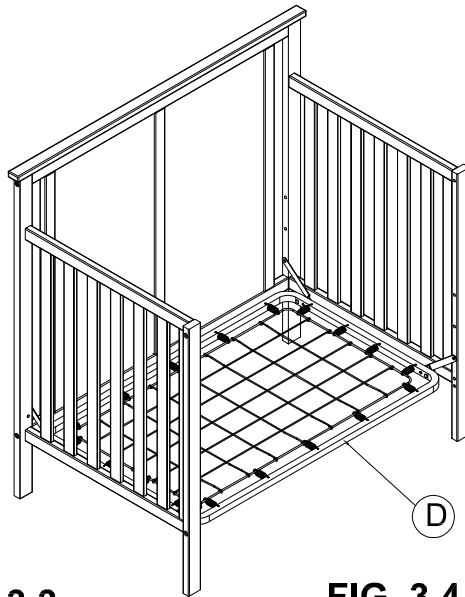
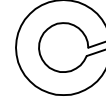


FIG. 3.1

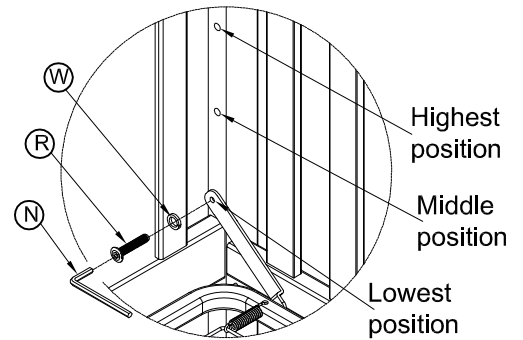


FIG. 3.3

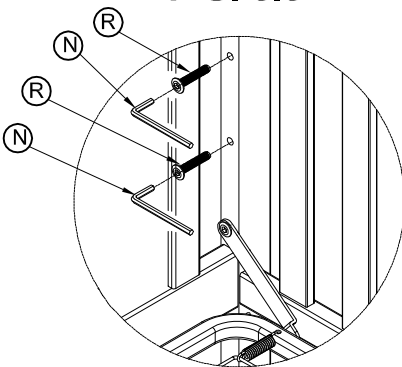


FIG. 3.4

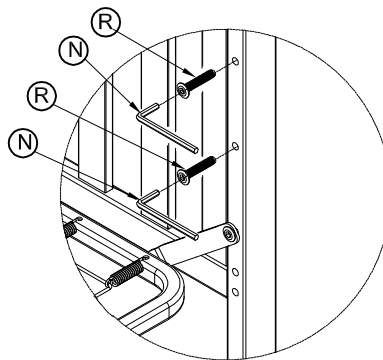
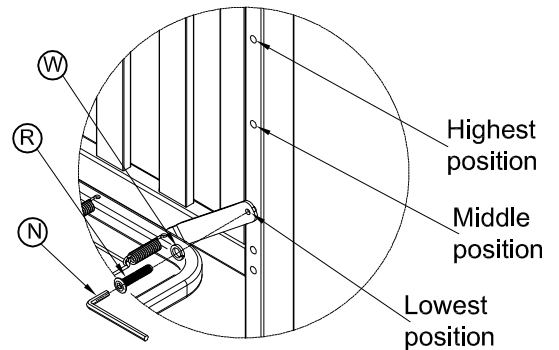


FIG. 3.2



- Place mattress spring (D) in desired position into crib.
- Attach mattress spring (D) by inserting 4 pcs allenbolt 5/8" (15 mm) (R) and Spring Washer (W) through the holes in the bracket into the threaded holes on side frame as shown in FIG.3.1 & 3.2.
- Secure with allenkey (N).
- See FIG.3.1 & 3.2 for height adjustment.
- Make sure the mattress spring is leveled after assembly.
- Insert the 8 (eight) Allenbolt 5/8" (15 mm) (R), into the exposed threaded holes on side frame as shown in FIG.3.3 & 3.4.
- Tighten all bolts with allenkey (N).

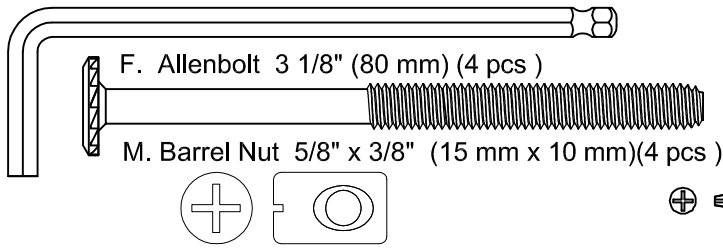
## STEP 5 " ASSEMBLY OF FOOTBOARD "

### THIS STEP REQUIRES :

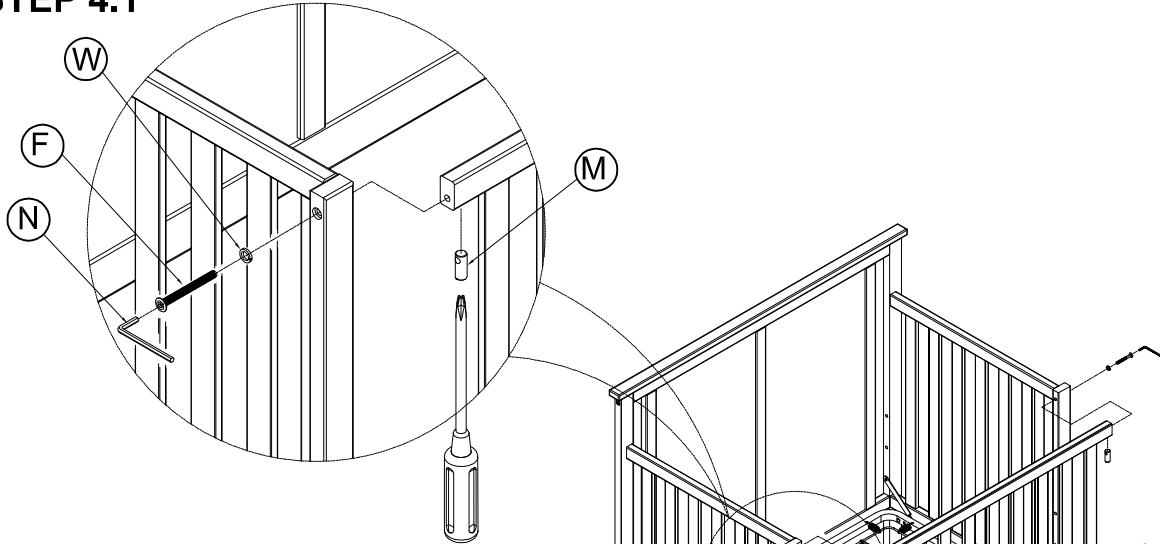
B. Footboard (1 pc)

W. Spring Washer (4 pcs)

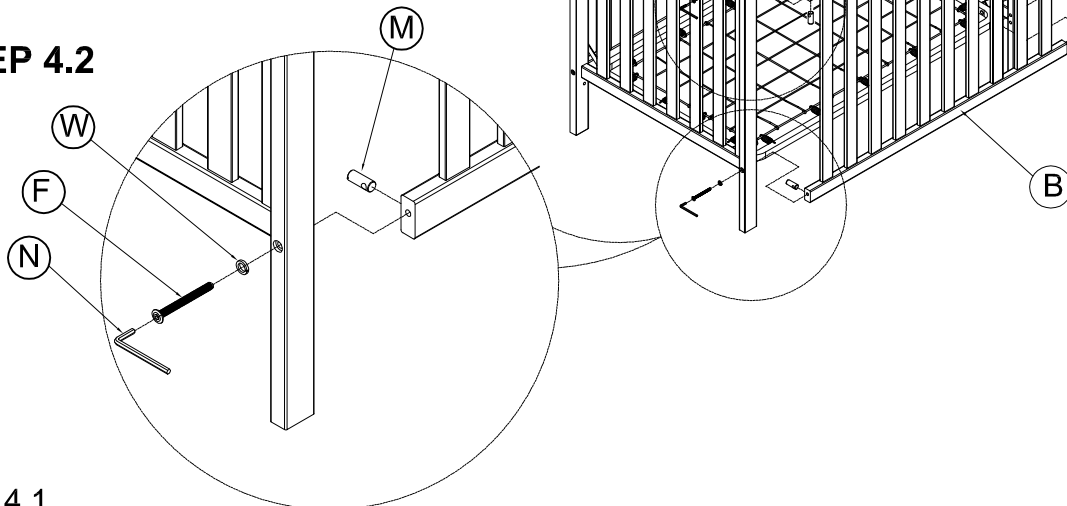
N. Allenkey (1 pc)



### STEP 4.1



### STEP 4.2



#### STEP 4.1

- Connect footboard top to the footboard leg using (2 pcs) allenbolt 3 1/8" (80 mm) (F), spring washer (W) and barrel nut (M).
- Hand tighten only.

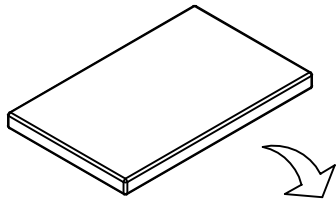
#### STEP 4.2

- Connect footboard bottom to the footboard leg using (2 pcs) allenbolt 3 1/8" (80 mm) (F), spring washer (W) and barrel nut (M).
- Tighten all bolts with allenkey (N).

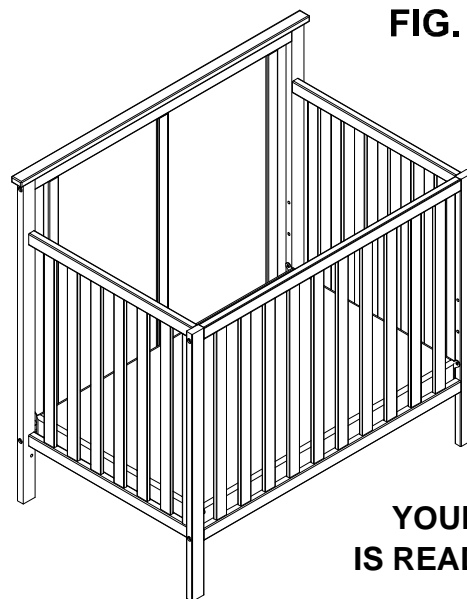
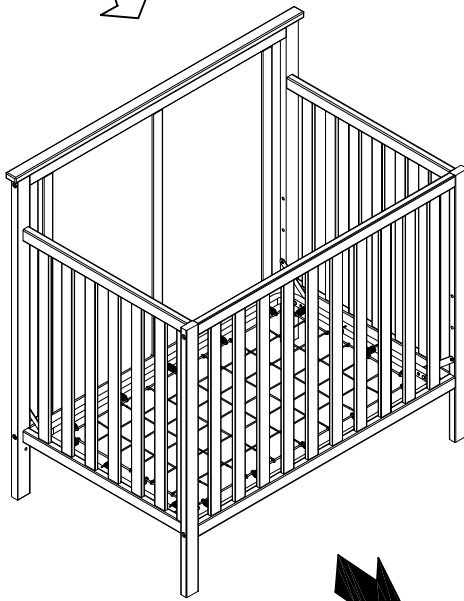
## STEP 6 " ASSEMBLY OF MATTRESS PAD "

### THIS STEP REQUIRES :

E. Mattress pad (1 pc )



**FIG. 5.1**



**FIG. 5.2**

**YOUR CRIB  
IS READY TO USE**

- Place Mattress pad (E) on the mattress spring (D) inside the crib, as shown in FIG. 5.1.
- Final position as shown in FIG. 5.2.

# **WARNING!** INFANTS CAN SUFFOCATE

\*IN GAPS BETWEEN A MATTRESS TOO SMALL OR TOO THICK AND PRODUCT SIDES.  
\*ON SOFT BEDDING.

**NEVER ADD A MATTRESS, PILLOW, COMFORTER OR PADDING.**

USE **ONLY** THE MATTRESS PROVIDED BY HERITAGE BABY PRODUCTS. (WHICH MUST BE AT LEAST 37 7/8 INCHES (962 MM) LONG BY 23 7/8 INCHES (606 MM) WIDE AND NOT MORE THAN 2 3/4 INCHES (70 MM) THICK.)

THIS CRIB CONFORMS TO ALL APPLICABLE REGULATIONS PROMULGATED BY THE CONSUMER PRODUCT SAFETY COMMISSION.

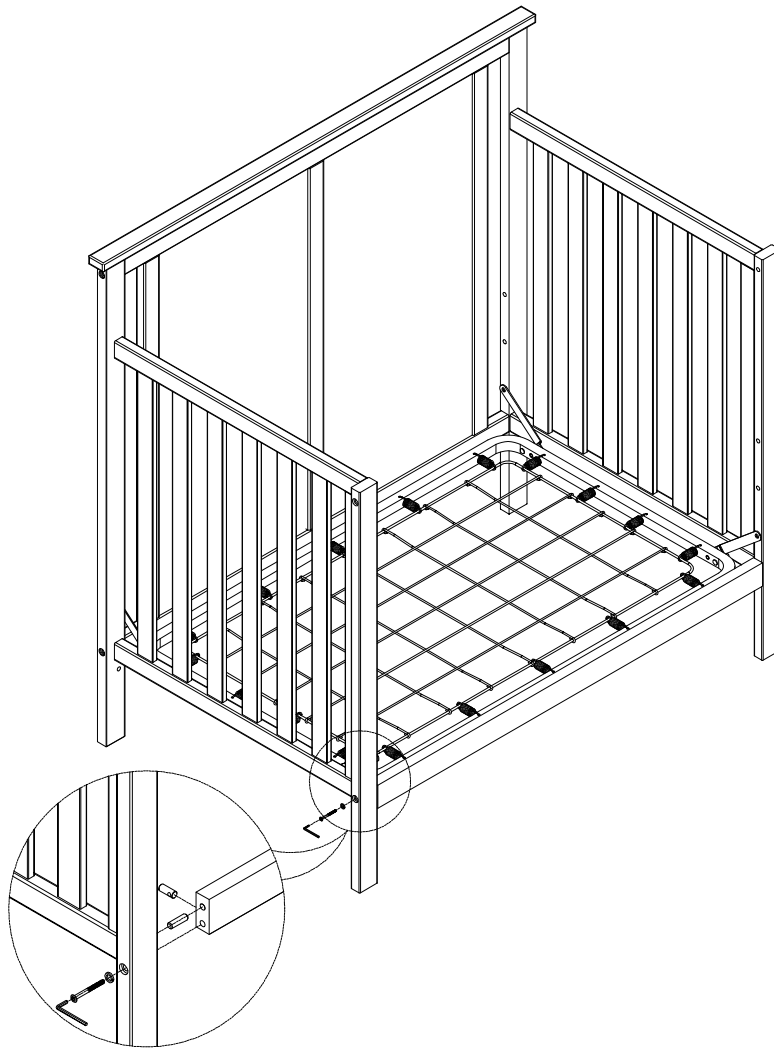
# **WARNING!**

**FAILURE TO FOLLOW THESE WARNINGS AND THE INSTRUCTIONS COULD RESULT IN SERIOUS INJURY OR DEATH.**

- THE PRODUCT, INCLUDING SIDE RAILS, MUST BE FULLY ERECTED PRIOR TO USE.
- STRINGS CAN CAUSE STRANGULATION! NEVER** PLACE ITEMS WITH A STRING AROUND A CHILD'S NECK, SUCH AS HOOD STRINGS OR PACIFIER CORDS. **NEVER** SUSPEND STRINGS OVER PRODUCT OR ATTACH STRINGS TO TOYS.
- DISCONTINUE USE OF THE PRODUCT WHEN CHILD IS ABLE TO CLIMB OUT OR REACHES THE HEIGHT OF 35 INCHES (890 MM).
- CHILD CAN BECOME ENTRAPPED AND DIE WHEN IMPROVISED NETTING OR COVERS ARE PLACED ON TOP OF PRODUCT. **NEVER** ADD SUCH ITEMS TO CONFINE CHILD IN PRODUCT.
- WHEN CHILD IS ABLE TO PULL TO A STANDING POSITION, SET MATTRESS / BASE TO LOWEST ADJUSTMENT POSITION AND REMOVE BUMPER PADS, LARGE TOYS AND OTHER OBJECTS THAT COULD SERVE AS STEPS FOR CLIMBING OUT. THIS CRIB HAS AN ADJUSTABLE MATTRESS SUPPORT. FOR THE CONVENIENCE OF THE PARENT WHEN THE BABY IS VERY SMALL, THE MATTRESS SUPPORT MAY BE USED IN THE HIGHEST POSITION.
- NEVER** PLACE CRIB NEAR A WINDOW OR PATIO DOOR WHERE CORDS FROM BLINDS OR DRAPES CAN STRANGLE A CHILD.
- ALWAYS** PROVIDE THE SUPERVISION NECESSARY FOR THE CONTINUED SAFETY OF YOUR CHILD. WHEN USED FOR PLAYING **NEVER** LEAVE CHILD UNATTENDED.
- TO REDUCE THE RISK OF **SIDS**, PEDIATRICIANS RECOMMEND HEALTHY INFANTS BE PLACED ON THEIR BACKS TO SLEEP, UNLESS OTHERWISE ADVISED BY YOUR PHYSICIAN.
- NEVER** USE THIS PRODUCT IF THERE ARE ANY LOOSE OR MISSING FASTENERS, LOOSE JOINTS, BROKEN PARTS, OR TORN MESH / FABRIC. CHECK BEFORE ASSEMBLY AND PERIODICALLY DURING USE. CONTACT HERITAGE BABY PRODUCTS FOR REPLACEMENT PARTS. **NEVER** SUBSTITUTE PARTS.
- NEVER** LEAVE CHILD IN PRODUCT WITH SIDE LOWERED. BE SURE SIDE IS IN RAISED AND LOCKED POSITION WHENEVER CHILD IS IN PRODUCT.
- NEVER** USE PLASTIC SHIPPING BAGS OR OTHER PLASTIC FILM AS MATTRESS COVERS NOT SOLD AND INTENDED FOR THAT PURPOSE. THEY CAN CAUSE SUFFOCATION.
- NEVER** USE A WATER MATTRESS WITH THIS PRODUCT.
- IF REFINISHING, USE A NON-TOXIC FINISH SPECIFIED FOR CHILDREN'S PRODUCTS.
- ENSURE A SAFE ENVIRONMENT FOR THE CHILD BY CHECKING REGULARLY, BEFORE PLACING THE CHILD IN THE PRODUCT, THAT EVERY COMPONENT IS PROPERLY AND SECURELY IN PLACE.
- TO AVOID HEAD INJURY, **DO NOT** ALLOW ANY CHILD TO PLAY UNDERNEATH THE PRODUCT.
- NEVER** ADD AN ACCESSORY SUCH AS A BASSINET OR CHANGING TABLE THAT EXTENDS OVER THE SLEEPING AREA.
- IN CANADA ONLY - USE A CRIB MATTRESS THAT IS NO THICKER THAN 15 CM AND IS OF SUCH A SIZE THAT, WHEN IT IS PUSHED FIRMLY AGAINST ANY SIDE OF THE CRIB, IT DOES NOT LEAVE A GAP OF MORE THAN 3 CM BETWEEN THE MATTRESS AND ANY PART OF THE SIDES OF THE CRIB. **DO NOT** USE THIS CRIB FOR A CHILD WHO CAN CLIMB OUT OF IT OR WHO IS TALLER THAN 90 CM.

## CONVERTING CRIB TO DAYBED

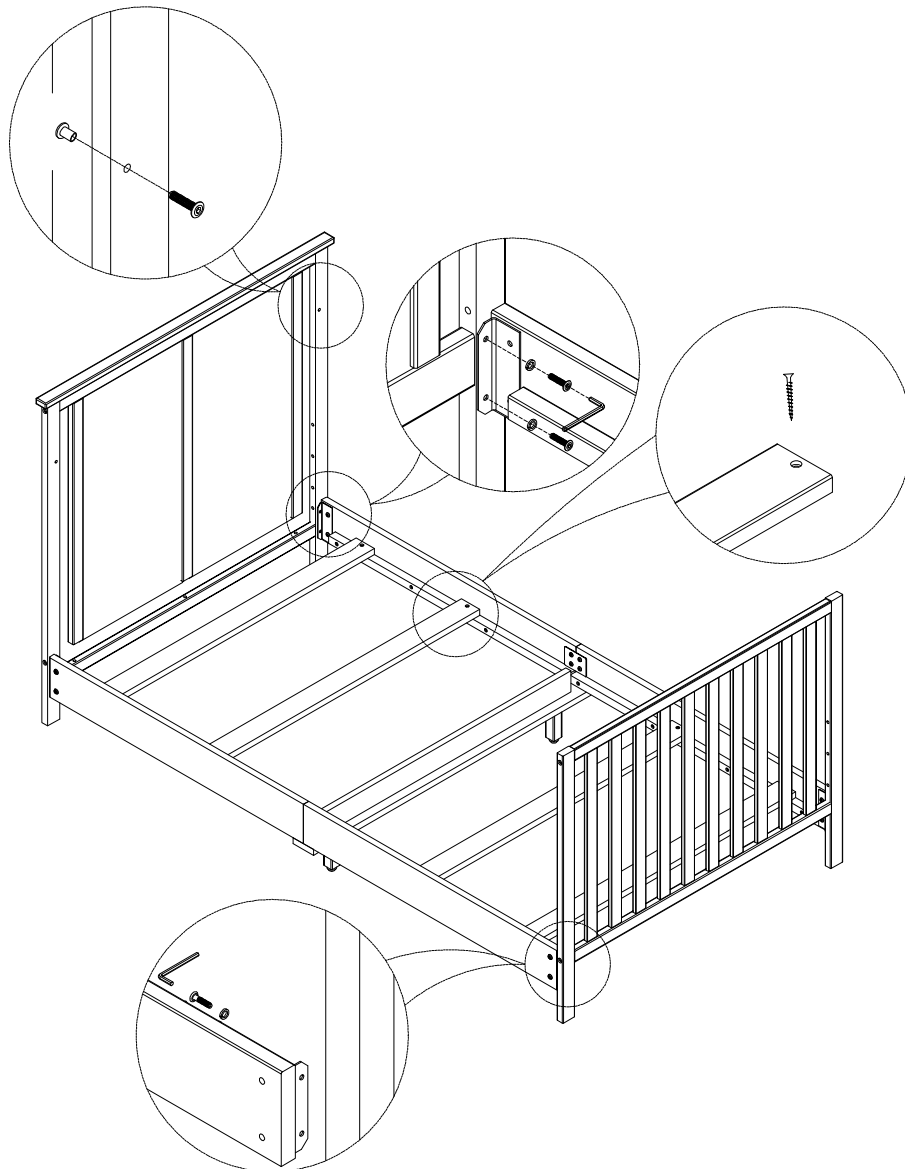
(Stabilizer bar and converting bolts are sold separately)



STABILIZER BAR sold separately.  
Please contact retailer.

## CONVERTING CRIB TO TWIN BED

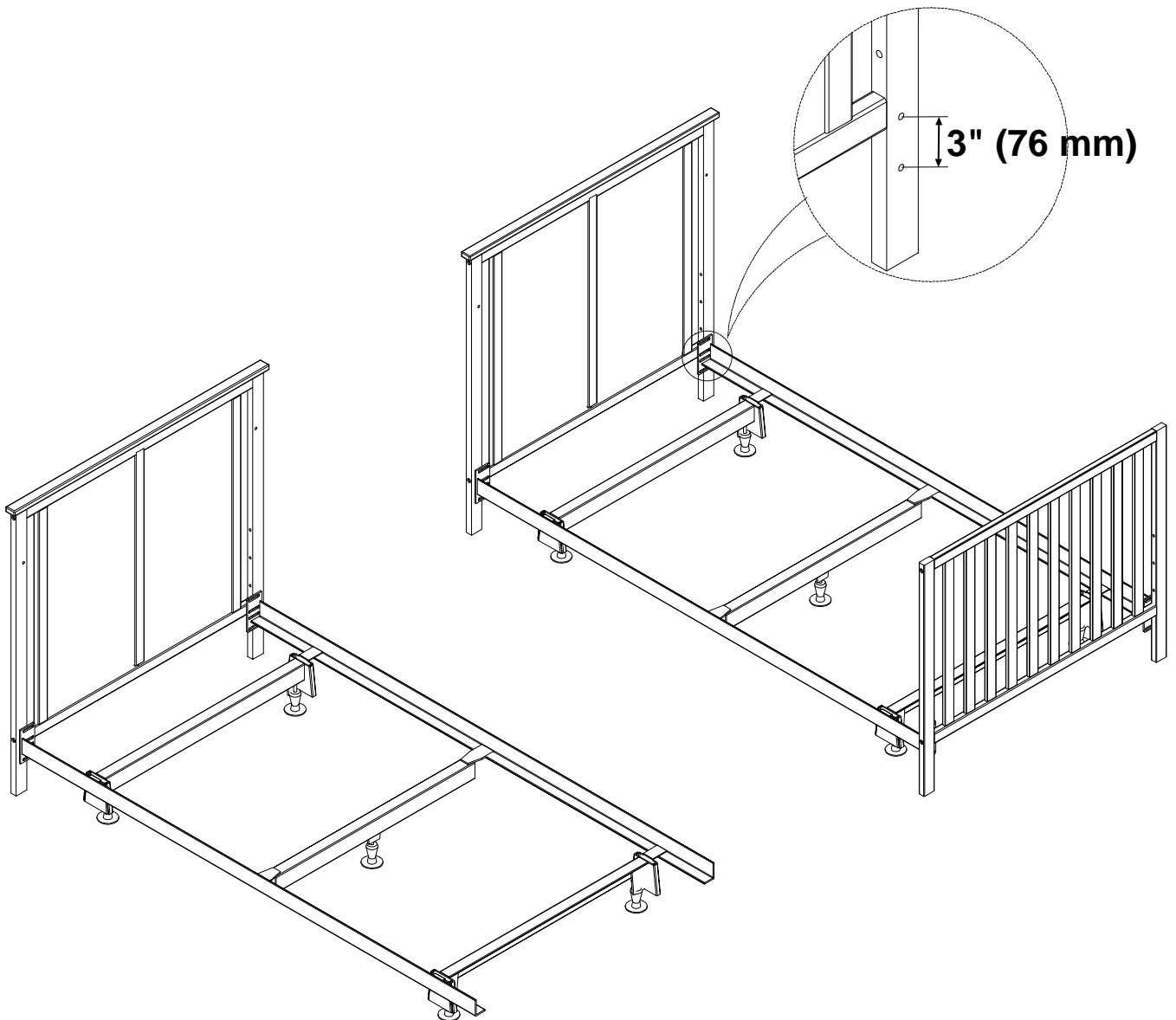
(Conversion Kit and converting bolts are sold separately)



CONVERSION KIT sold separately.  
Please contact retailer.

## CONVERTING CRIB TO TWIN BED

(Bed frame and converting bolts are sold separately)



**BED FRAME** sold separately.  
Please contact retailer.