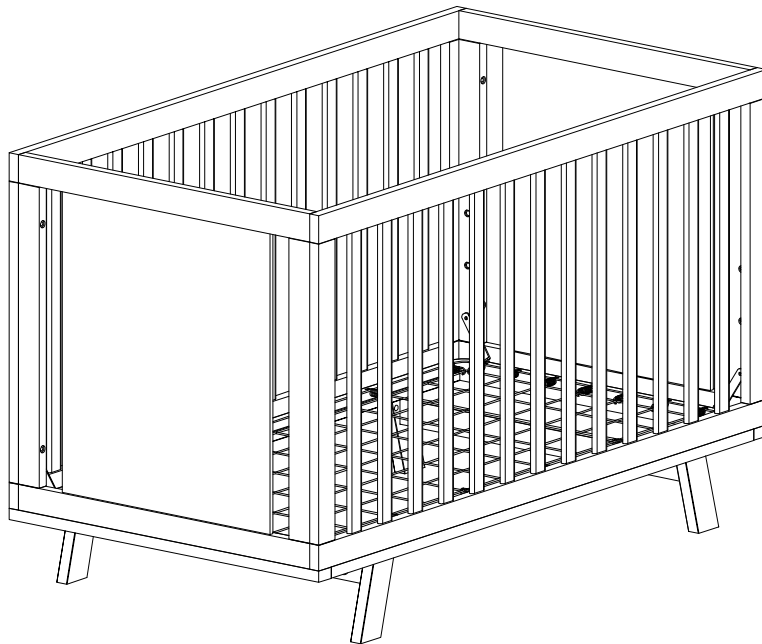


**ASSEMBLY INSTRUCTIONS**  
**for 3 in 1 Lifetime<sup>®</sup> Crib**  
**LIVIA ISLAND**  
**Model # 27800**



*suitebebe*



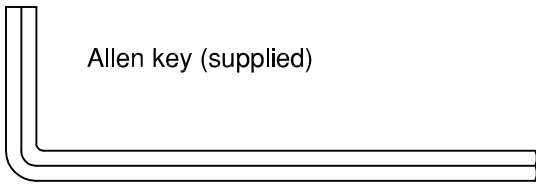
**"THE PRODUCT IMAGES SHOWN ARE FOR ILLUSTRATION PURPOSES ONLY AND MAY NOT BE AN EXACT REPRESENTATION OF THE PRODUCT."**

**GUARD RAIL sold separately.**  
**Please contact retailer.**

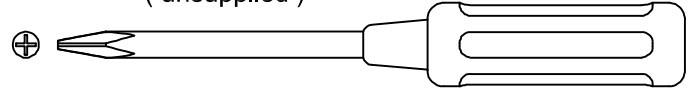
**THIS PRODUCT CONFORMS TO THE APPLICABLE SECTIONS OF PUBLIC LAW 110-314 AND COMPLIES WITH THE REQUIREMENTS STATED IN 16 CFR 1219 AND 16 CFR 1217 (WHEN LIVIA GUARDRAIL IS USED).**

Carefully remove and lay out all parts, familiarize yourself with all exhibits and diagrams to facilitate the assembly of your crib.

TOOLS REQUIRED:

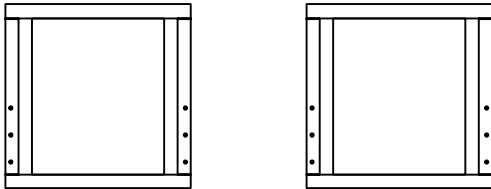


Phillips head screw driver  
(unsupplied)

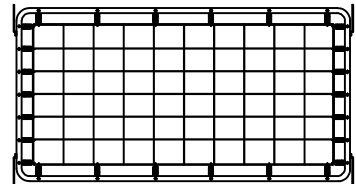


PARTS ENCLOSED IN CARTON

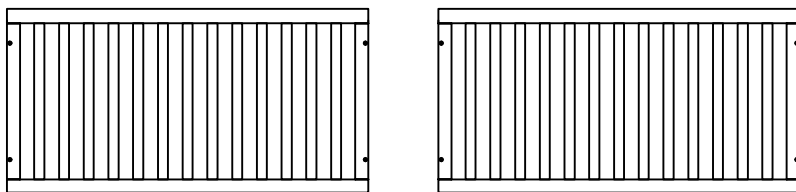
A. Headboard / Footboard (2 pcs)



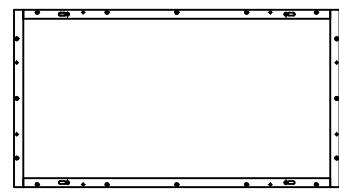
D. Mattress Spring (1 pc)



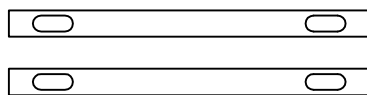
B. Fixed Side (2 pcs)



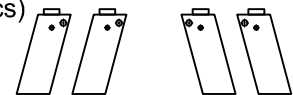
E. Base (1 pc)



C. Leg Support (2 pcs)

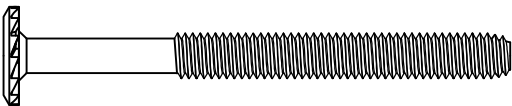


F. Leg (4 pcs)



HARDWARE

G. Allenbolt 2 1/2" (65 mm) (4 pcs)



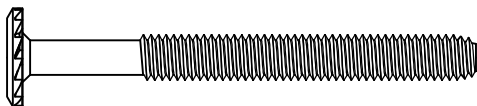
M. Barrel Nut 5/8" x 3/8"  
(15 mm x 10 mm)(4 pcs)



P. Wooden Dowel 1 1/4"  
[Ø8 x 30 mm] (16 pcs)



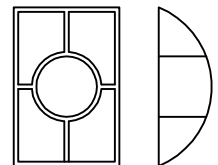
R. Allenbolt 2 3/8" (60 mm) (10 pcs)



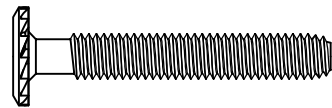
W. Spring Washer  
(38 pcs)



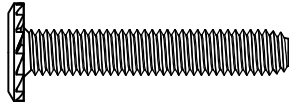
Q. Curved Rectangular  
Metal Washer (4 pcs)



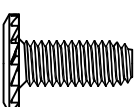
H. Allenbolt 1 1/2" (40 mm) (4 pcs)



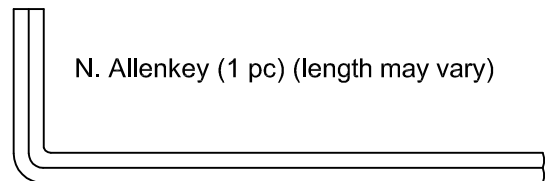
J. Allenbolt 1 3/8" (35 mm) (16 pcs)



K. Allenbolt 5/8" (15 mm) (12 pcs)



N. Allenkey (1 pc) (length may vary)



**Make sure the bolts are tightly locked against the washers during assembly  
(Please add an extra 1/2 revolution to all the bolts when using spring washer after tightening)**

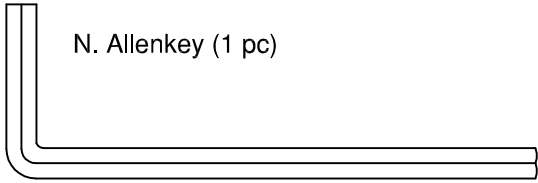
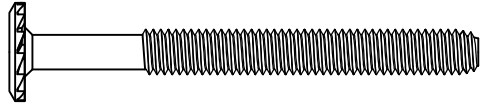
# STEP 1 "ASSEMBLY OF CRIB SIDES"

## THIS STEP REQUIRES:

A. Headboard /Footboard (2 pcs)

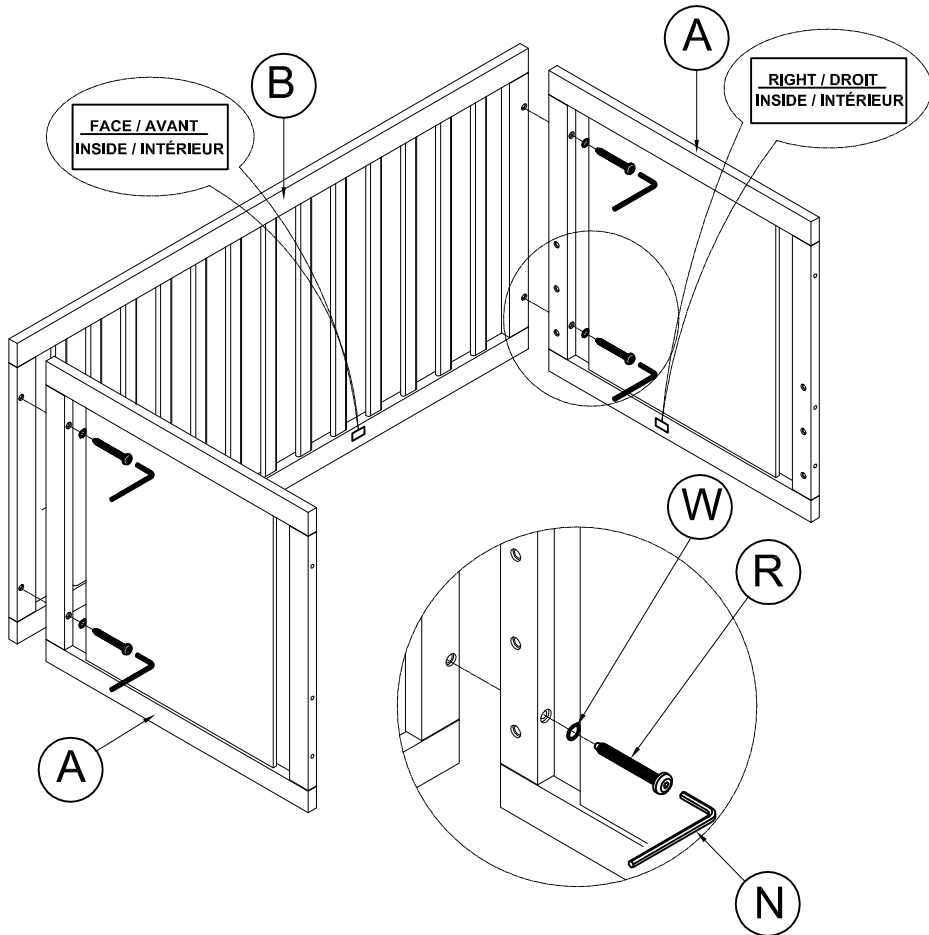
B. Fixed Side (1 pc)

R. Allenbolt 2 3/8 " (60 mm) (4 pcs )



N. Allenkey (1 pc)

W. Spring Washer (4 pcs)



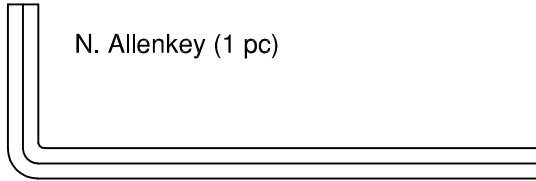
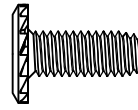
- Insert allenbolt 2 3/8" (60 mm)(R) and Spring Washer (W) through the holes in the Headboard / Footboard (A) into the threaded holes on fixed side (B).
- Tighten all bolts with Allenkey (N).

# STEP 2 "SPRING INSTALLATION"

## THIS STEP REQUIRES:

D. Mattress Spring (1pc)

K.Allenbolt 5/8" (15 mm) (12 pcs)



N. Allenkey (1 pc)

W. Spring Washer (4 pcs)

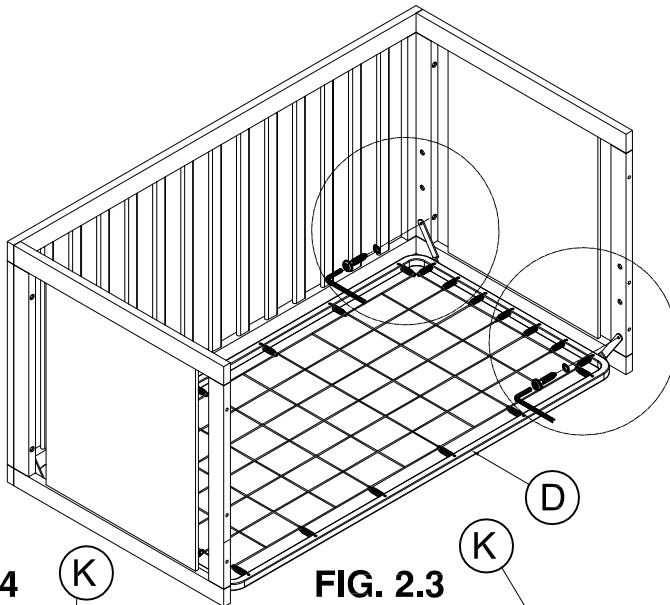
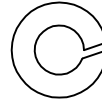


FIG. 2.1

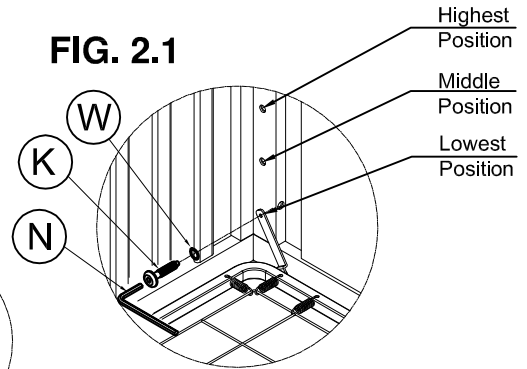


FIG. 2.4

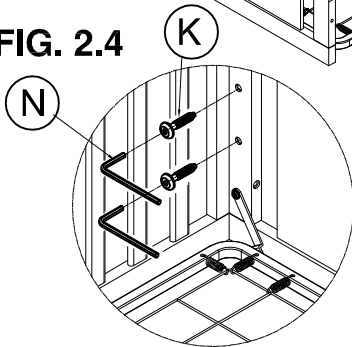


FIG. 2.3

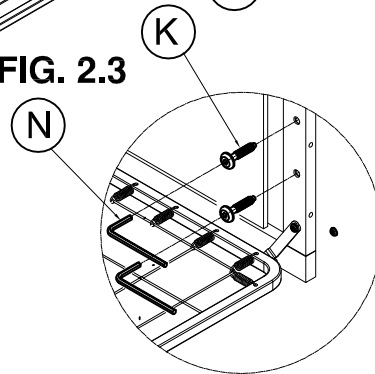
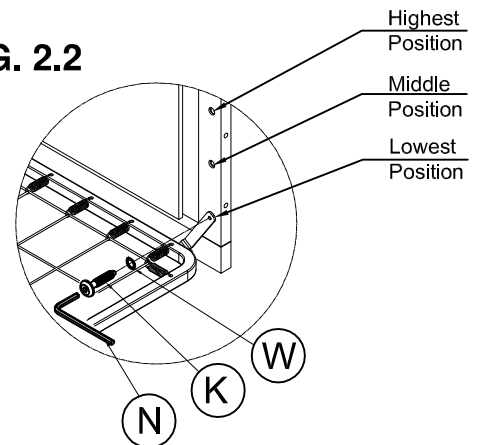


FIG. 2.2



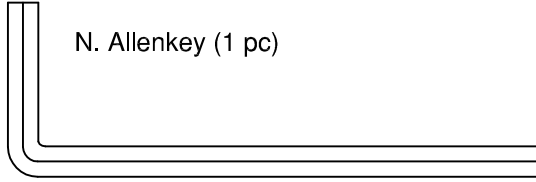
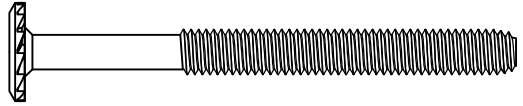
- Place mattress spring (D) in desired position into crib.
- Attach mattress spring (D) by inserting 4 pcs allenbolt 5/8" (15 mm)(K) and spring washer (W) through the holes in the bracket into the threaded holes on headboard leg & footboard leg. as shown in FIG.2.1 & 2.2.
- Secure with allenkey (N).
- See FIG.2.1 & 2.2 for height adjustment.
- Make sure the mattress spring is leveled after assembly.
- Insert the 8 (eight) allenbolt 5/8" (15 mm)(K) into the exposed threaded holes on side frame as shown in FIG.2.3 & 2.4.
- Tighten all bolts with allenkey (N).

## STEP 3 "ASSEMBLY OF FIXED SIDE"

### THIS STEP REQUIRES:

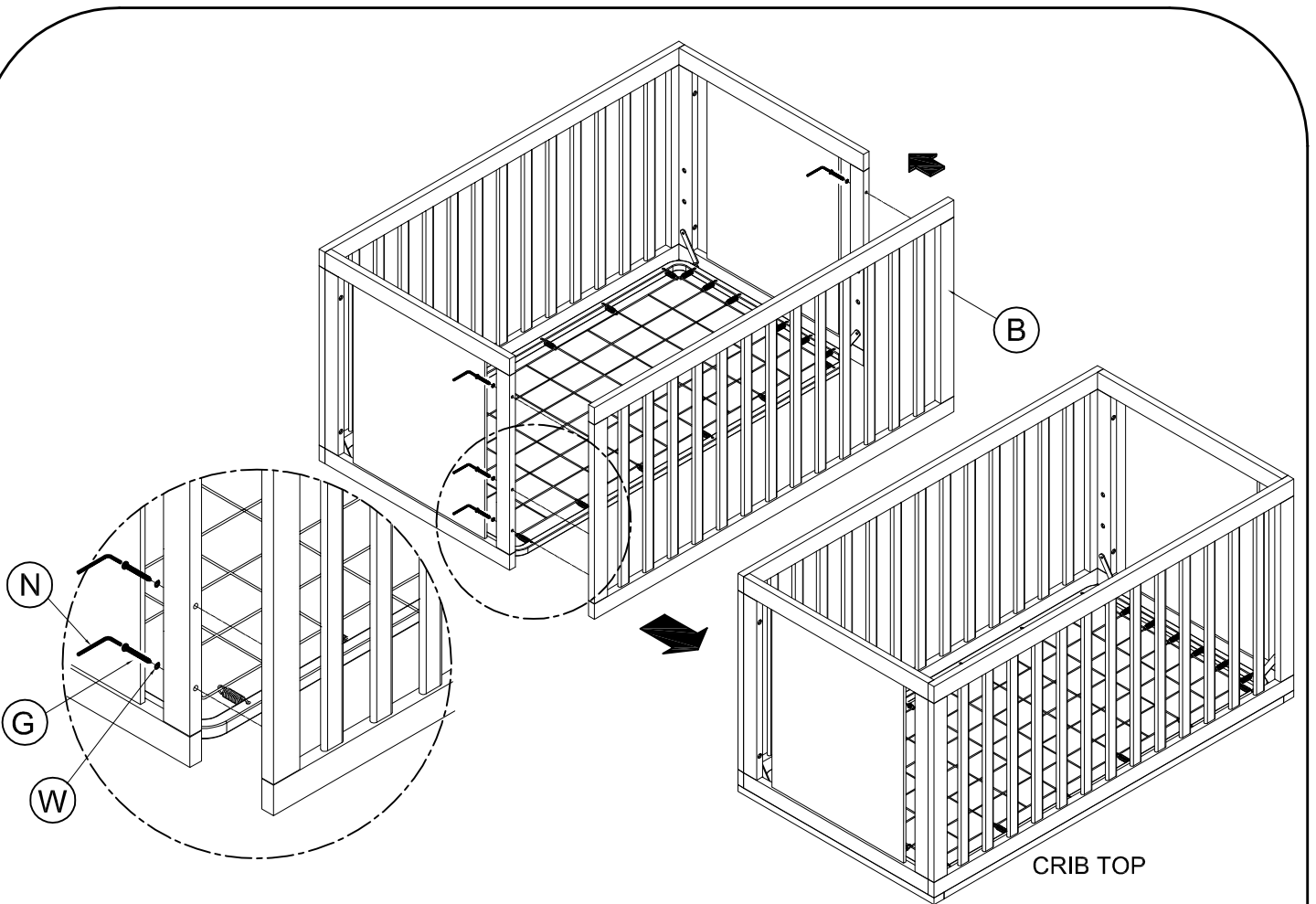
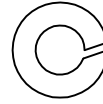
B. Fixed Side (1 pc)

G. Allenbolt 2 1/2 " [ 65 mm ] (4 pcs )



N. Allenkey (1 pc)

W. Spring Washer (6 pcs)



- Insert allenbolt 2 3/8" (60 mm)(R) and Spring Washer (W) through the holes in the Headboard / Footboard (A) into the threaded holes on fixed side (B).
- Tighten all bolts with Allenkey (N).

## STEP 4 "ASSEMBLY OF BASE & LEG"

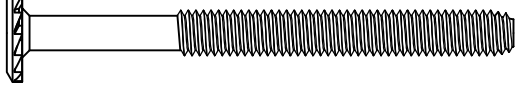
### THIS STEP REQUIRES:

C. Leg Support (2 pcs)

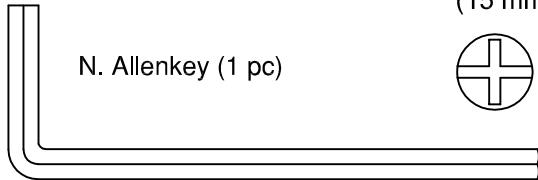
E. Base (1 pc)

F. Leg (4 pcs)

G. Allenbolt 2 1/2" [ 65 mm ] (4 pcs )

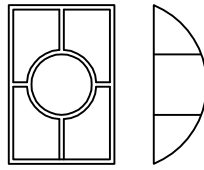


H. Allenbolt 1 1/2" (40 mm) (4 pcs )

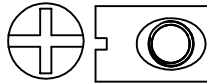


N. Allenkey (1 pc)

Q. Curved Rectangular Metal Washer (4 pcs)



M. Barrel Nut 5/8" x 3/8" (15 mm x 10 mm)(4 pcs )



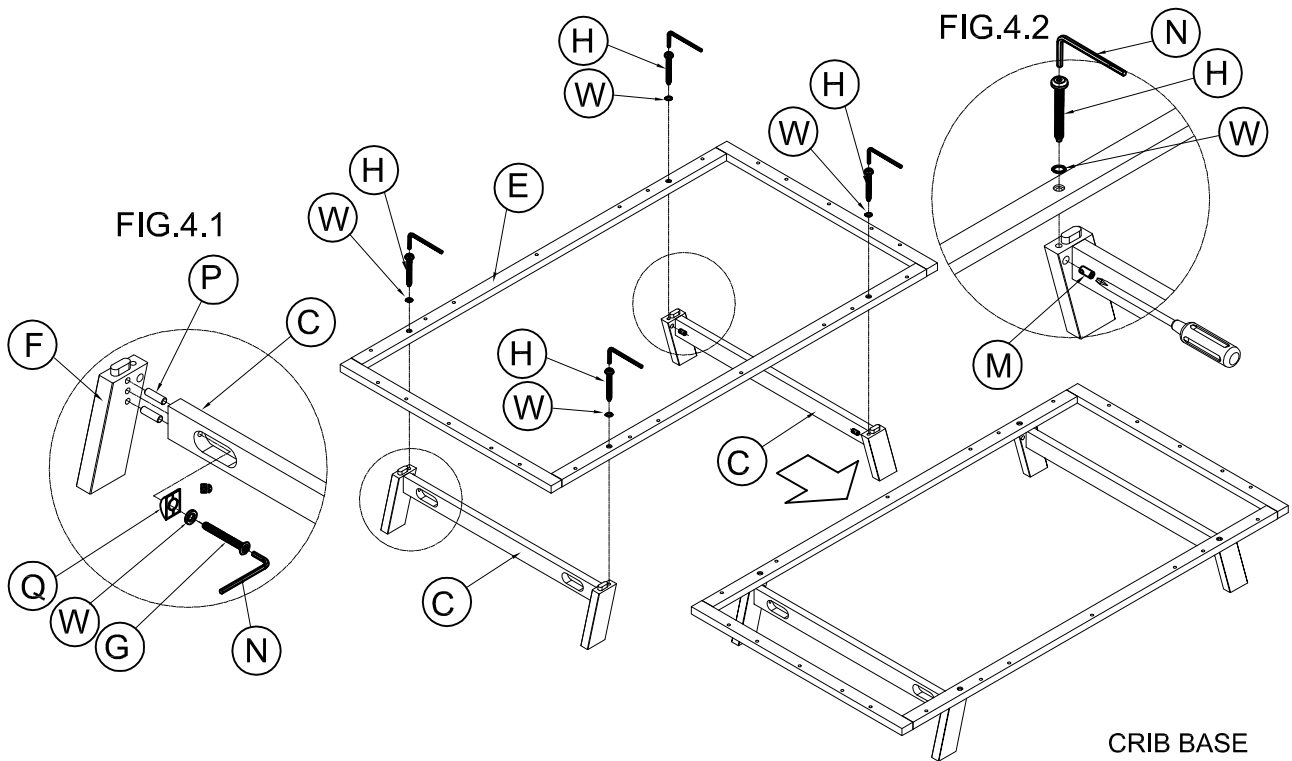
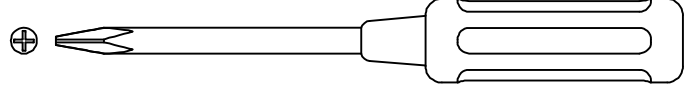
P. Wooden Dowel 1 1/4" [Ø8 x30 mm] (8 pcs)



W. Spring Washer (8 pcs)



Phillips head screw driver (unsupplied)



#### STEP 4.1

- Insert wood dowel (P) into the holes in the leg (F) and leg support (C), as shown in FIG 4.1.
- Insert allenbolt 2 1/2" (65 mm) (G), Spring Washer (W) and curved rectangular metal washer (Q) through the holes in the leg support (C) and into the threaded holes on leg (F) as shown in FIG 4.1. Hand tighten only!
- Repeat step 4.1 for the other 3 legs.

#### STEP 4.2

- Insert barrel nut 5/8"(15mm x16 mm) (M) into the holes in the leg (F), as shown in FIG 4.2.
- Connect base (E) to the legs (F) using (4 pcs) Allenbolts 1 1/2"(40 mm) (H), spring washer (W) and barrel nut (M) as shown in FIG 4.2.
- Tighten all bolts with allenkey (N).

## STEP 5 "ASSEMBLY OF CRIB BASE "

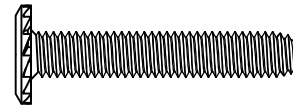
### THIS STEP REQUIRES:

CRIB TOP (1 pc)  
CRIB BASE (1 pc)

P. Wooden Dowel 1 1/4"  
[Ø8 x 30 mm] (8 pcs)



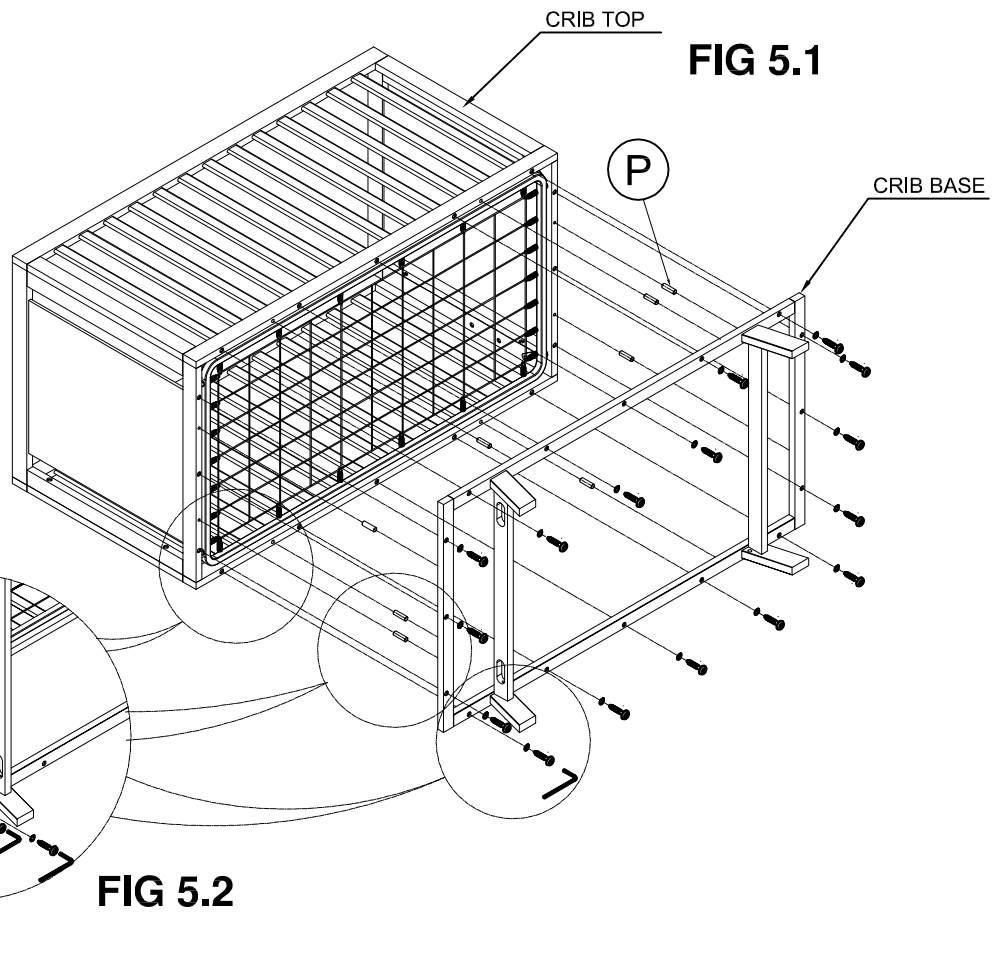
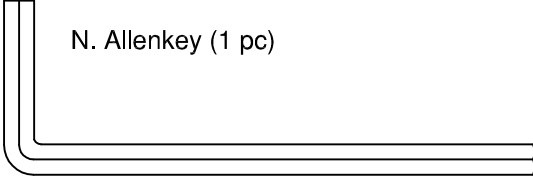
J.Allenbolt 1 3/8" (35 mm) (16 pcs)



W. Spring Washer (16 pcs)



N. Allenkey (1 pc)

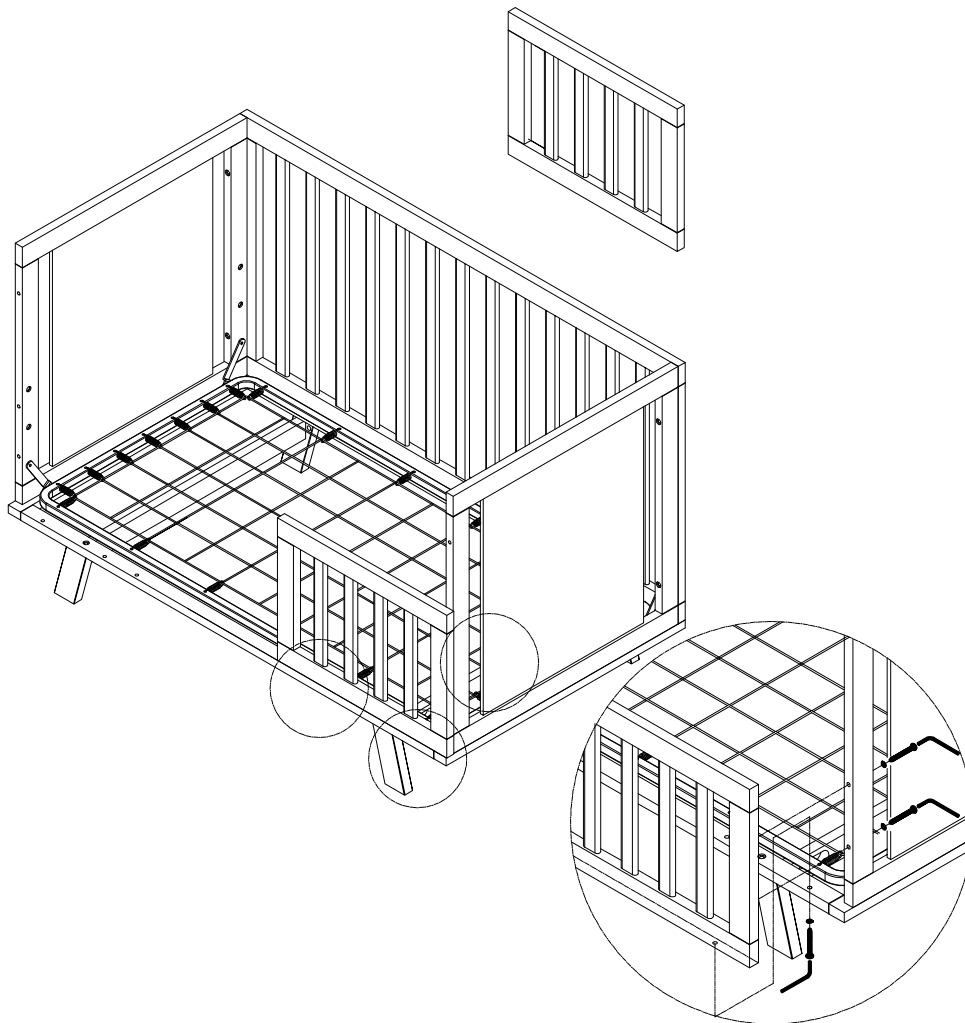


- Insert the 8 pcs wooden dowel (P) into the appropriate holes on the Headboard/Footboard / Fixed Side bottom as shown in FIG.5.1.
- Connect Crib Base to the Crib top using (16 pcs) allenbolt 1 3/8" (35 mm) (J), Spring Washer (W) and wood dowel (P) as shown in FIG.5.2.
- Tighten all bolts with allenkey (N).

## CONVERTING CRIB TO A TODDLER BED

(Guard rail and converting bolts are sold separately)

Please note that the warning labels placed on the cribs to keep parents and caregivers informed is a requirements by law under CPSC and ASTM .  
We do apologize for any inconvenience this may cause you.



GUARD RAIL sold separately.  
Please contact retailer.

## CONVERTING CRIB TO A DAYBED

