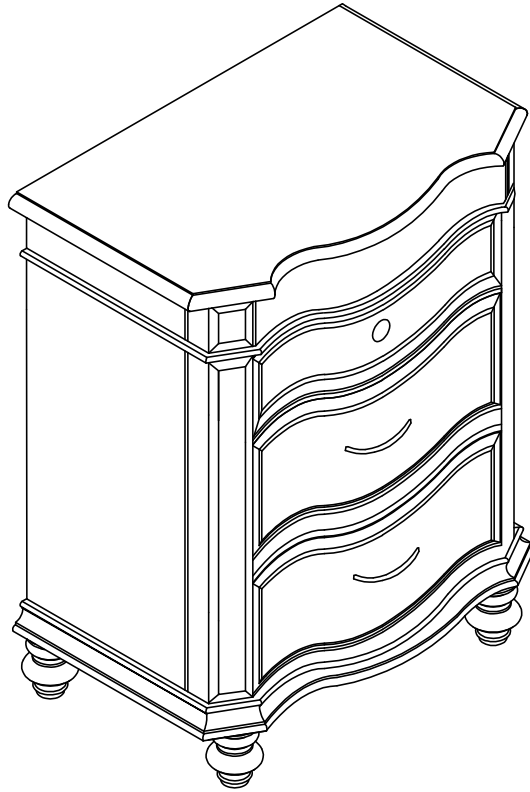


992/899 2 DRAWER NIGHTSTAND







RTG SKU	STYLE #	COLOR	DESCRIPTION
39609928	992-4E	WHITE	2 DRAWER NIGHTSTAND
36489905	899-4E	PLATINUM	2 DRAWER NIGHTSTAND

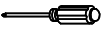
This product is manufactured by GLOB for

ROOMS TO GO | **KIDS™**

DO NOT USE SUBSTITUTE PARTS. PLEASE CONTACT YOUR RETAIL STORE OR WWW.ROOMSTOGO.COM WITH SERVICE OR PARTS REPLACEMENT REQUEST

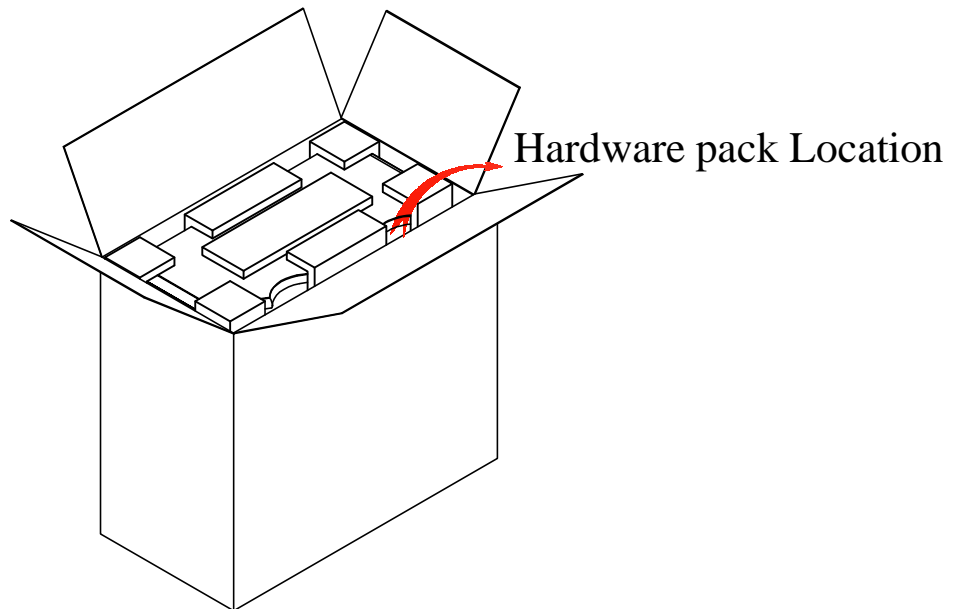
PARTS LIST :			
PARTS	PICTURE	DESCRIPTION	Q'TY
1		2 DRAWER NIGHTSTAND	1PC
2		LEG	4PCS

HARDWARE LIST			Q'TY
A		5mm ALLEN WRENCH	1PC
B		TIPPING RESTRAINT	1PC

TOOL REQUIRED	
	SCREW DRIVER (NOT INCLUDED)

Hardware Pack Locations:

RTG SKU	STYLE #	COLOR	DESCRIPTION
39609928	992-4E	WHITE	2 DRAWER NIGHTSTAND
36489905	899-4E	PLATINUM	2 DRAWER NIGHTSTAND



This product is manufactured by GLOB for

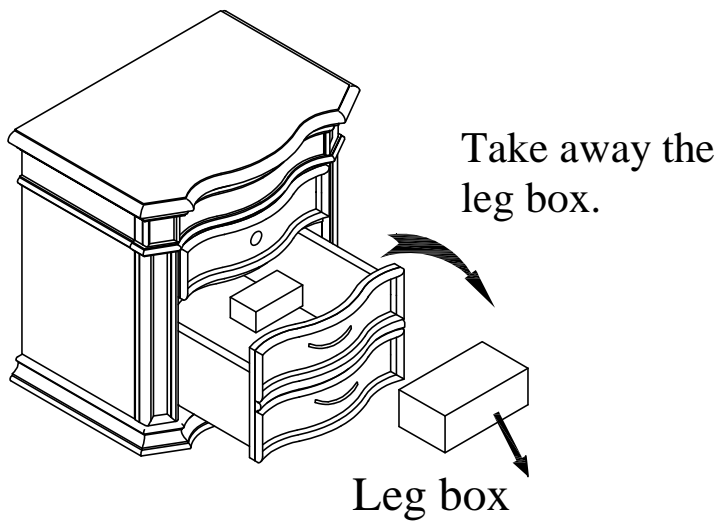
ROOMS TO GO | KIDS™

DO NOT USE SUBSTITUTE PARTS. PLEASE CONTACT YOUR RETAIL STORE OR WWW.ROOMSTOGO.COM WITH SERVICE OR PARTS REPLACEMENT REQUEST

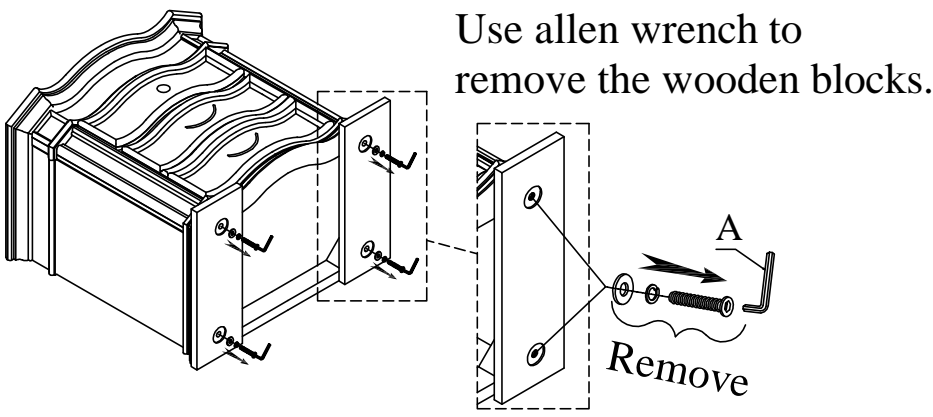
Thank you for purchasing this quality product. Be sure to check all packing materials carefully for small parts which may have come loose inside the carton during shipment. Identify and count all parts and compare with the parts list. Read all instructions before assembling furniture and keep these instructions for future reference.

ASSEMBLY INSTRUCTION

Step-1



Step-2



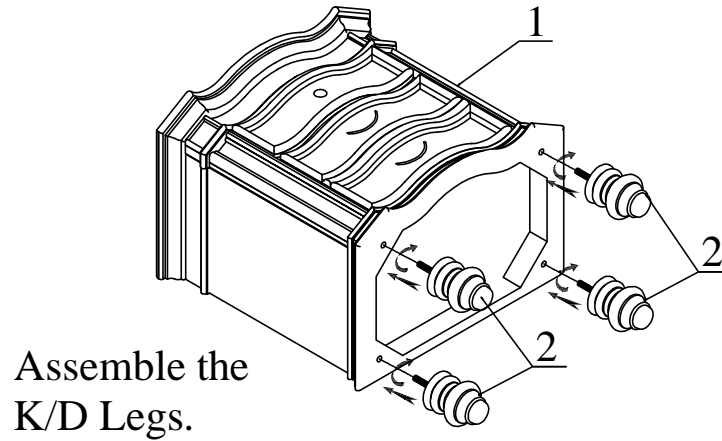
Remove all wooden blocks from the bottom of the case piece before assembling!

This product is manufactured by GLOB for **ROOMS TO GO** | **KIDS™**

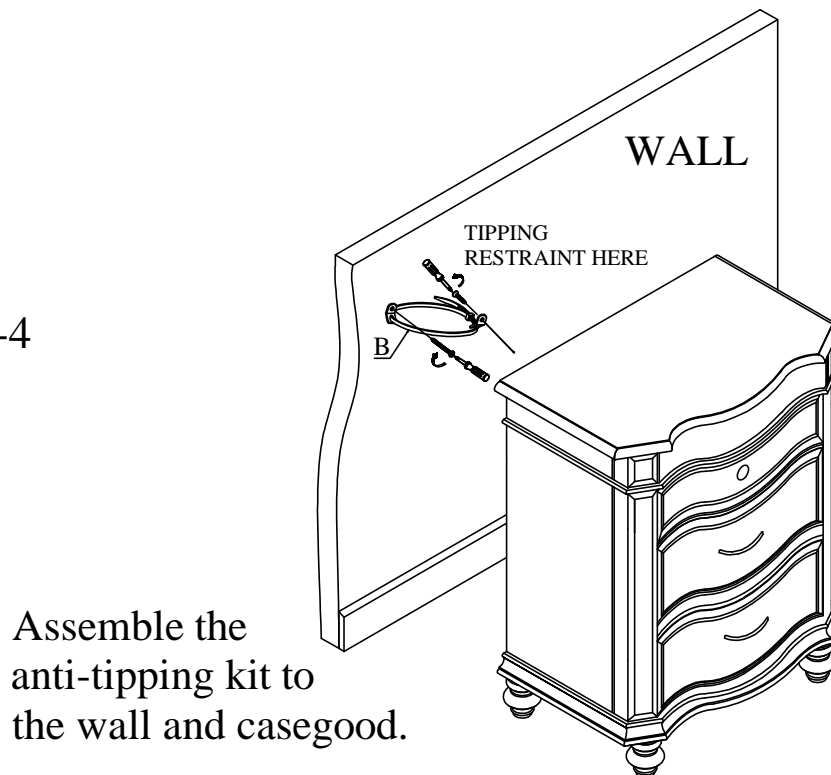
DO NOT USE SUBSTITUTE PARTS. PLEASE CONTACT YOUR RETAIL STORE OR WWW.ROOMSTOGO.COM WITH SERVICE OR PARTS REPLACEMENT REQUEST

ASSEMBLY INSTRUCTION

Step-3



Step-4



This product is manufactured by GLOB for

ROOMS TO GO | **KIDS™**

DO NOT USE SUBSTITUTE PARTS. PLEASE CONTACT YOUR RETAIL STORE OR WWW.ROOMSTOGO.COM
WITH SERVICE OR PARTS REPLACEMENT REQUEST