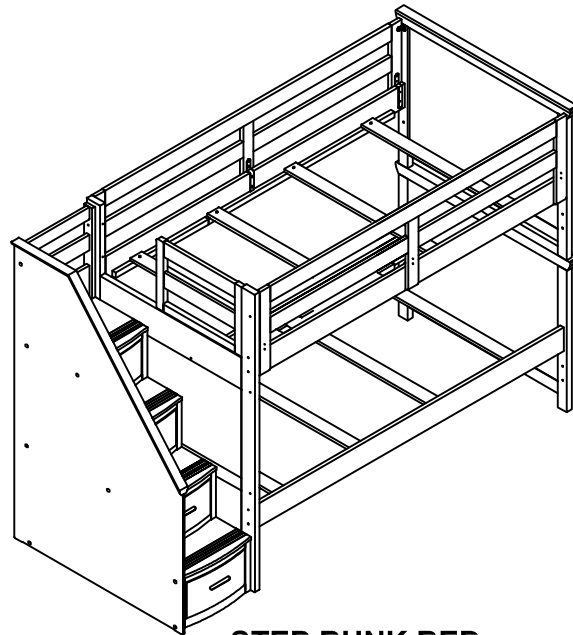
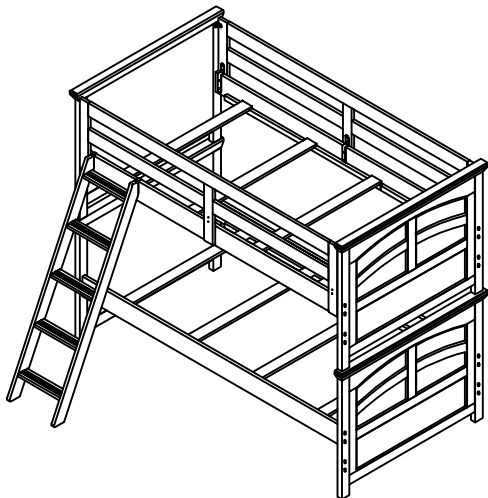


ROOMS TO GO
KIDS
Manufactured for Rooms To Go Kids

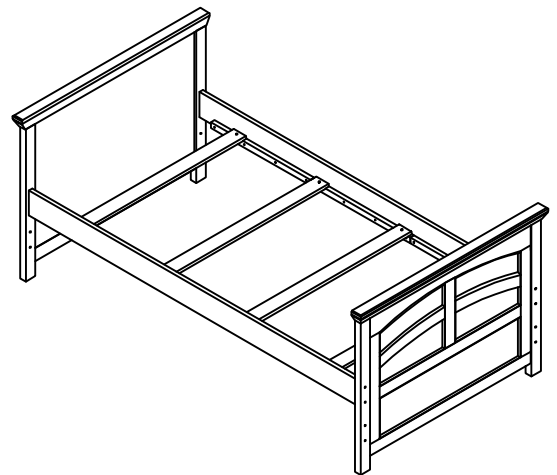
**SANTA CRUZ
1497-1597 BUNK BED & STEP BUNK BED**



STEP BUNK BED



REGULAR BUNK BED



TWIN AND FULL BED

Use only correct mattress dimensions and Bunkie board:

Twin size mattress- 74" – 75" long and 37.5"-38.5" wide

Twin size Bunkie board- 74" long and 37.5" wide

Full size mattress- 74" – 75" long and 52.5"-53.5" wide

Full size Bunkie board- 74" long and 52.5" wide

Futon size mattress- 75" long and 53" wide

**DO NOT USE SUBSTITUTE PARTS. PLEASE CONTACT YOUR RETAIL STORE OR
WWW.ROOMSTOGO.COM WITH SERVICE OR PARTS REPLACEMENT REQUEST**

ROOMS TO GO

KIDS

Manufactured for Rooms To Go Klds

PACKAGE: 3851497P CHERRY TWIN/TWIN BUNK BED

RTG SKU	STYLE#	ITEM DESCRIPTION
36314970	1497-45T	TWIN END PANELS,
36314970	1497-45T	TWIN END PANELS,
36914972	1497-41	6 PIECE RAILS,
37014975	1497-47T	8 TWIN SLATS,
36814970	1497-49	LADDER

PACKAGE: 3771498P GRAY TWIN/TWIN BUNK BED

RTG SKU	STYLE#	ITEM DESCRIPTION
36314982	1597-45T	TWIN END PANELS,
36314982	1597-45T	TWIN END PANELS,
36914984	1597-41	6 PIECE RAILS,
37014975	1497-47T	8 TWIN SLATS,
36814982	1597-49	LADDER

PACKAGE: 3951497P CHERRY TWIN/TWIN STEP BUNK BED

RTG SKU	STYLE#	ITEM DESCRIPTION
36514974	1497-42T	TWIN STEP END
37614977	1497-57	PANELS, STEPS,
36314970	1497-45T	TWIN END PANELS,
36914972	1497-41	6 PIECE RAILS,
37014975	1497-47T	8 TWIN SLATS

PACKAGE: 3951498P GRAY TWIN/TWIN STEP BUNK BED

RTG SKU	STYLE#	ITEM DESCRIPTION
36514986	1597-42T	TWIN STEP END
37614989	1597-57	PANELS, STEPS,
36314982	1597-45T	TWIN END PANELS,
36914984	1597-41	6 PIECE RAILS,
37014975	1497-47T	8 TWIN SLATS

PACKAGE: 3861497P CHERRY FULL/FULL BUNK BED

RTG SKU	STYLE#	ITEM DESCRIPTION
36414972	1497-46F	FULL END PANELS,
36414972	1497-46F	FULL END PANELS,
36914972	1497-41	6 PIECE RAILS,
37314971	1497-48F	8 FULL SLATS,
36814970	1497-49	LADDER

PACKAGE: 3781498P GRAY FULL/FULL BUNK BED

RTG SKU	STYLE#	ITEM DESCRIPTION
36414984	1597-46F	FULL END PANELS,
36414984	1597-46F	FULL END PANELS,
36914984	1597-41	6 PIECE RAILS,
37314971	1497-48F	8 FULL SLATS,
36814982	1597-49	LADDER

PACKAGE: 3961497P CHERRY FULL/FULL STEP BUNK BED

RTG SKU	STYLE#	ITEM DESCRIPTION
36614976	1497-43F	FULL STEP END
37614977	1497-57	PANELS, STEPS,
36414972	1497-46F	FULL END PANELS,
36914972	1497-41	6 PIECE RAILS,
37314971	1497-48F	8 FULL SLATS

PACKAGE: 3961498P GRAY FULL/FULL STEP BUNK BED

RTG SKU	STYLE#	ITEM DESCRIPTION
36614988	1597-43F	FULL STEP END
37614989	1597-57	PANELS, STEPS,
36414984	1597-46F	FULL END PANELS,
36914984	1597-41	6 PIECE RAILS,
37314971	1497-48F	8 TWIN SLATS

**DO NOT USE SUBSTITUTE PARTS. PLEASE CONTACT YOUR RETAIL STORE OR
WWW.ROOMSTOGO.COM WITH SERVICE OR PARTS REPLACEMENT REQUEST**

ROOMS TO GO
KIDS
 Manufactured for Rooms To Go Kids

MATTRESS AND BUNKIE BOARD CHART

PACKAGE	DESCRIPTION	TOP BED	BOTTOM BED
3851497P	TWIN/TWIN BUNK BED	TWIN MATTRESS TWIN BUNKIE BOARD REQUIRED	TWIN MATTRESS TWIN BUNKIE BOARD REQUIRED
3771498P	TWIN/TWIN BUNK BED	TWIN MATTRESS TWIN BUNKIE BOARD REQUIRED	TWIN MATTRESS TWIN BUNKIE BOARD REQUIRED
3951497P	TWIN/TWIN STEP BUNK BED	TWIN MATTRESS TWIN BUNKIE BOARD REQUIRED	TWIN MATTRESS TWIN BUNKIE BOARD REQUIRED
3951498P	TWIN/TWIN STEP BUNK BED	TWIN MATTRESS TWIN BUNKIE BOARD REQUIRED	TWIN MATTRESS TWIN BUNKIE BOARD REQUIRED

PACKAGE	DESCRIPTION	TOP BED	BOTTOM BED
3861497P	FULL/FULL BUNK BED	FULL MATTRESS FULL BUNKIE BOARD REQUIRED	FULL MATTRESS FULL BUNKIE BOARD REQUIRED
3781498P	FULL/FULL BUNK BED	FULL MATTRESS FULL BUNKIE BOARD REQUIRED	FULL MATTRESS FULL BUNKIE BOARD REQUIRED
3961497P	FULL/FULL STEP BUNK BED	FULL MATTRESS FULL BUNKIE BOARD REQUIRED	FULL MATTRESS FULL BUNKIE BOARD REQUIRED
3961498P	FULL/FULL STEP BUNK BED	FULL MATTRESS FULL BUNKIE BOARD REQUIRED	FULL MATTRESS FULL BUNKIE BOARD REQUIRED

Use only correct mattress dimensions and Bunkie board:

Twin size mattress- 74" – 75" long and 37.5"-38.5" wide

Twin size Bunkie board- 74" long and 37.5" wide

Full size mattress- 74" – 75" long and 52.5"-53.5" wide

Full size Bunkie board- 74" long and 52.5" wide

Futon size mattress- 75" long and 53" wide

**DO NOT USE SUBSTITUTE PARTS. PLEASE CONTACT YOUR RETAIL STORE OR
 WWW.ROOMSTOGO.COM WITH SERVICE OR PARTS REPLACEMENT REQUEST**



WARNING DANGER:

Failure to follow these warnings and assembly instructions could result in serious injury or death. To help prevent serious or fatal injuries from entrapment or falls:

Read all instructions before assembling bunk bed and keep these instructions for future reference.

Before each usage or assembly, inspect bunk bed for damaged hardware, loose joints,

missing parts, or sharp edges. DO NOT use bunk bed if any parts are missing or broken.

DO NOT use substitute parts. Contact your local Rooms To Go or visit www.ROOMSTOGO.com for replacement parts and instructional literature if needed.

Follow the information on the warnings appearing on the upper bunk end structure and on the carton.

DO NOT REMOVE WARNING LABEL FROM BED.

Always use the recommended size mattresses or mattress supports, or both, to help prevent the likelihood of entrapment or falls.

Ensure thickness of mattress and foundation combined does not exceed 10" and mattress surface is at least 5 inches (127mm) below upper edge of guardrails.

Do not allow children under 6 years of age to use the upper bunk.

Periodically check and ensure that the guardrail, ladder, and other components are in their proper position, free from damage, and that all connectors are tight.

Do not allow horseplay on or under the bed and prohibit jumping on the bed.

Limit top bunk use to one person.

Always use the ladder for entering and leaving the upper bunk.

Use of a night light may provide added safety precaution for a child using the upper bunk.

Always use guardrails on both long sides of the upper bunk. If the bunk bed will be placed next to the wall, the guardrail that runs the full length of the bed should be placed against the wall to prevent entrapment between the bed and wall.

The use of water or sleep flotation mattresses is prohibited.

This bunk bed meets or exceeds the requirements of ASTM F1427-21



STRANGULATION HAZARD:

Never attach or hang items to any part of the bunk bed that are not designed for use with the bed; for example, but not limited to, hooks, belts and jump ropes.

PRE ASSEMBLY

Warning:

The bed slats included with this bed will not support a mattress alone, this bed requires Bunkie boards (sold separately).

Read all the instructions, identify all components, choose your configuration, and be sure you have all parts prior to assembly.

Two people are needed to assemble.

Tools Needed

Phillips heads screwdriver (not included)

4mm allen wrench (included)

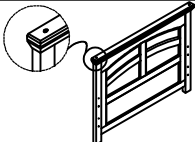
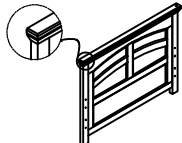

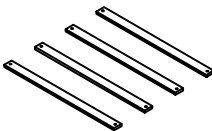
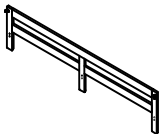
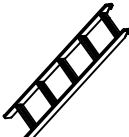
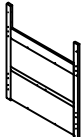
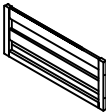
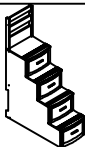
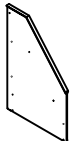
MAKE SURE ALL BOLTS ARE TIGHTENED COMPLETELY

CARE INSTRUCTIONS:

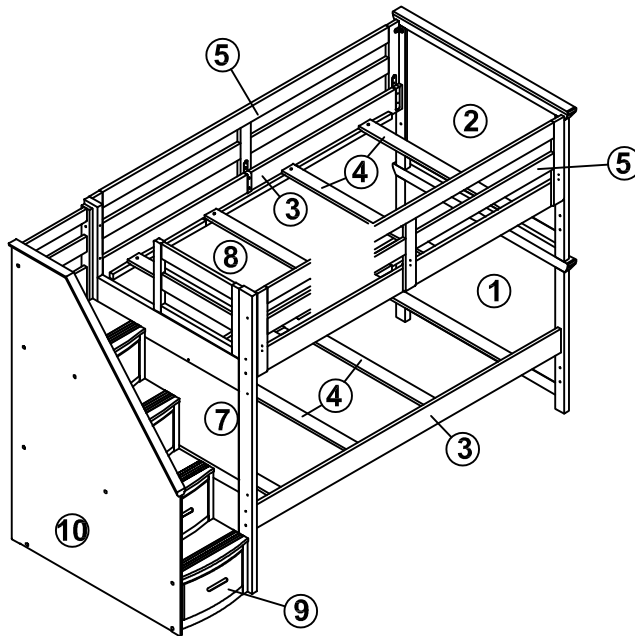
Dust with a clean, soft cloth. Avoid the use of all abrasive cleaners.

PLEASE CONTACT YOUR RETAIL STORE WITH SERVICE OR PARTS REPLACEMENT REQUEST

COMPONENT LIST

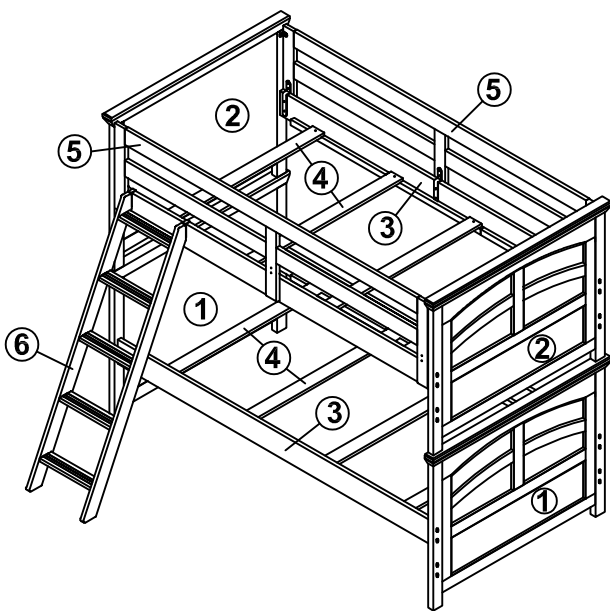
NO.	DESCRIPTION	PARTS PHOTO	QTY FOR BUNK BED	QTY FOR STEP BUNK BED
①	END PANELS(LOWER)		2	1
②	END PANELS(UPPER)		2	1
③	REGULAR SIDE RAILS		4	4
④	SLATS		2 sets (8 pcs)	2 sets (8 pcs)
⑤	GUARD RAILS		2	2
⑥	LADDER		1	X
⑦	STEP-END END PANEL		X	1
⑧	STEPS - SIDE FENCE		X	1
⑨	STEPS		X	1
⑩	STEPS - HAND RAIL PANEL		X	1

PARTS LIST



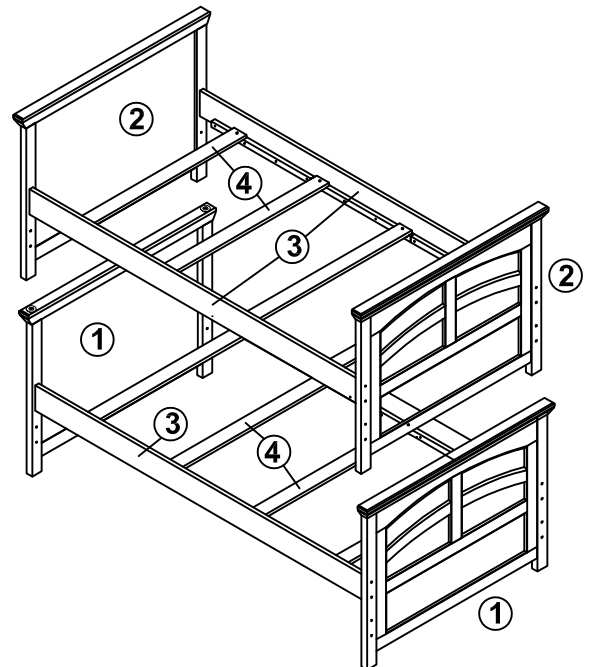
STEP BUNK BED

Please reference Page 10~12 for assembly steps



REGULAR BUNK BED

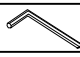


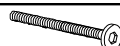





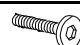
Please reference Page 13~15 for assembly steps

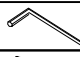

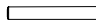






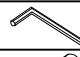


TWIN AND FULL BED


Please reference Page 16 for assembly steps

HARDWARE LIST

STEP NO.	PART NO.	PART	DESCRIPTION	SIZE	QTY
	J		Allen Key	M4	1 pc
1&3	C		Bolt	1/4"x20 x 2 3/8"	8 pcs
2&3	D		Screw	5/32"x 1 3/8 "	8 pcs
3&5	C		Bolt	1/4"x20 x 2 3/8"	8 pcs
6	D		Screw	5/32"x 1 3/8 "	8 pcs
4	K		L Metal Panel	7"x7/8"x1"	6 pcs
4	L		Bolt	1/4"x20 x 9/16"	12 pcs
4	M		T Nut Washer	Ø10 x 1/4" x 9/16" 5/16"x13/32"x3/4"x1/21"	12 set
5	O		Screw	5/32"x 5/8 "	12 pcs
5	L		Bolt	1/4"x20 x 9/16"	4 pcs
HARDWARE PACK LOCATIONS: 6 PIECE RAILS 1497/1597-41 SKU: 36914972/36914984					

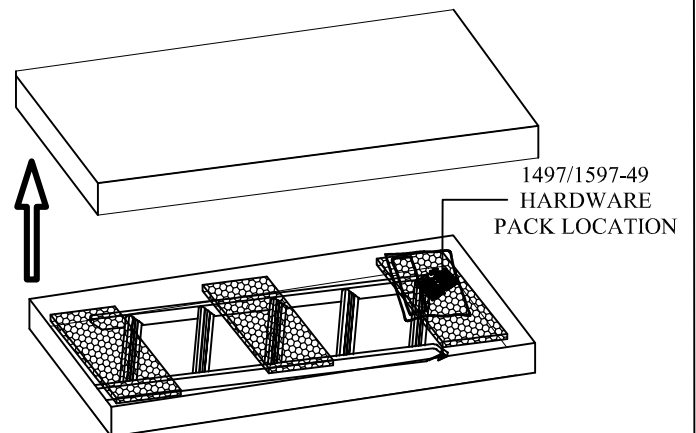
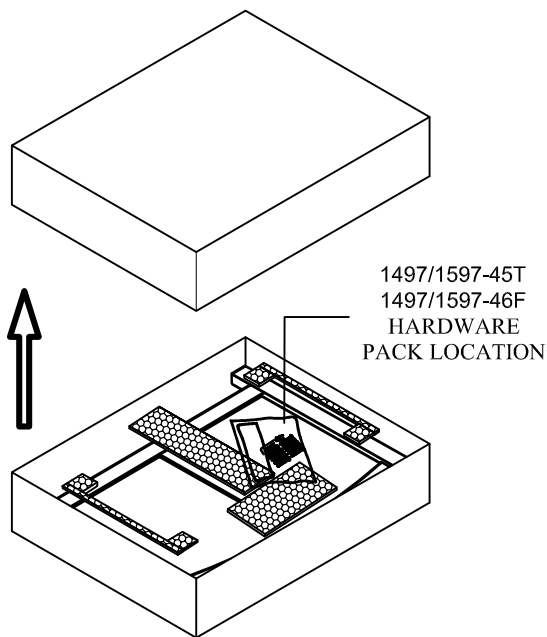
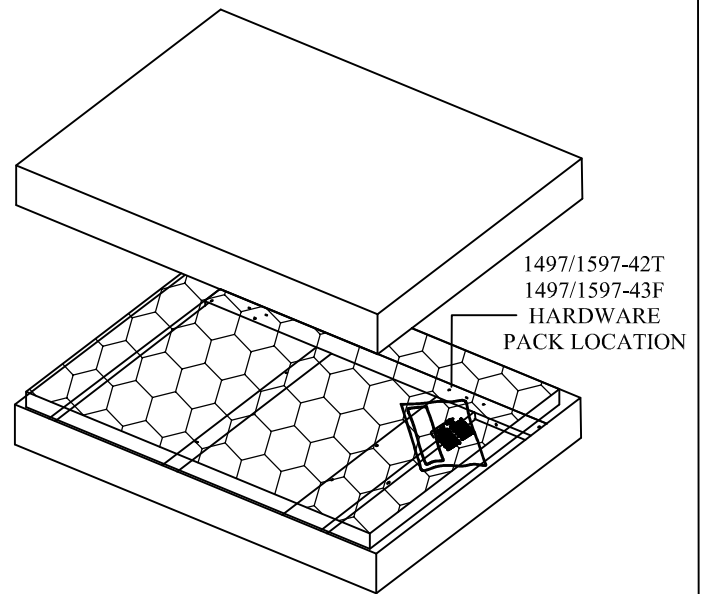
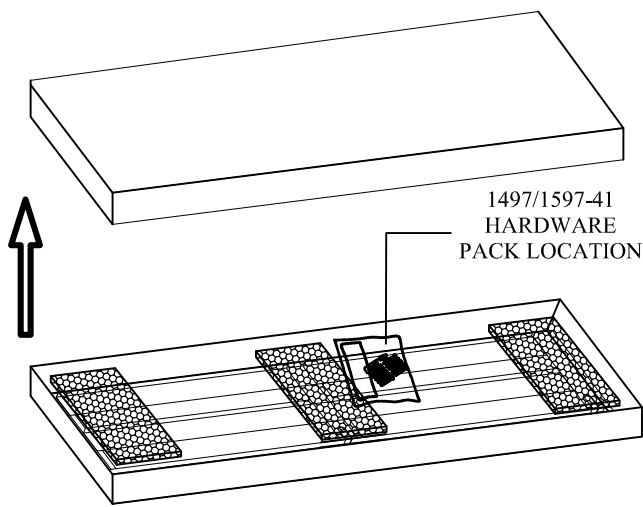
STEP NO.	PART NO.	PART	DESCRIPTION	SIZE	QTY
	J		Allen Key	M4	1 pc
1	A		Bolt	1/4"x20 x 2"	5 pc
6	E		Pin	Ø12 x 4 3/8"	1 pcs
6	C		Bolt	1/4"x20 x 2 3/8"	2 pcs
2	B		Bolt, Flat Washer	1/4"x20 x 1 1/8" 5/16"x11/32"x3/4"x1/21	7 set
7	B		Bolt, Flat Washer	1/4"x20 x 1 1/8" 5/16"x11/32"x3/4"x1/21	2 set
7	G		T Nut	Ø10 x 1/4" x 9/16"	1 pc
HARDWARE PACK LOCATIONS:TWIN STEP END PANELS & FULL STEP END PANELS 1497/1597-42T & 1497/1597-43F SKU: 36514974/36514986 & 36614976 / 36614988					

STEP NO.	PART NO.	PART	DESCRIPTION	SIZE	QTY
	J		Allen Key	M4	1 pc
3	F		Bolt	1/4"x20x 2 3/4" x Ø26	2 pcs
5&7	E		Pin	Ø12 x 4 3/8"	2 pcs
HARDWARE PACK LOCATIONS:TWIN END PANELS & FULL END PANELS 1497/1597-45T & 1497/1597-46F SKU: 36314970/36314982 & 36414972/36414984					

STEP NO.	PART NO.	PART	DESCRIPTION	SIZE	QTY
8	H		Screw	5/32"x 5/8 "	2 pcs
HARDWARE PACK LOCATIONS:LADDER 1497/1597-49 SKU:36814970 / 36814982					

Hardware Pack Locations:

RTG SKU	Style#	Description
36914972/36914984	1497/1597-41	6 PIECE RAILS
36514974/36514986 & 36614976/36614988	1497/1597-42T & 1497/1597-43F	TWIN/FULL STEP END PANELS
36314970/36314982 & 36414972/36414984	1497/1597-45T & 1497/1597-46F	TWIN/FULL END PANELS
36814970/36814982	1497/1597-49	LADDER

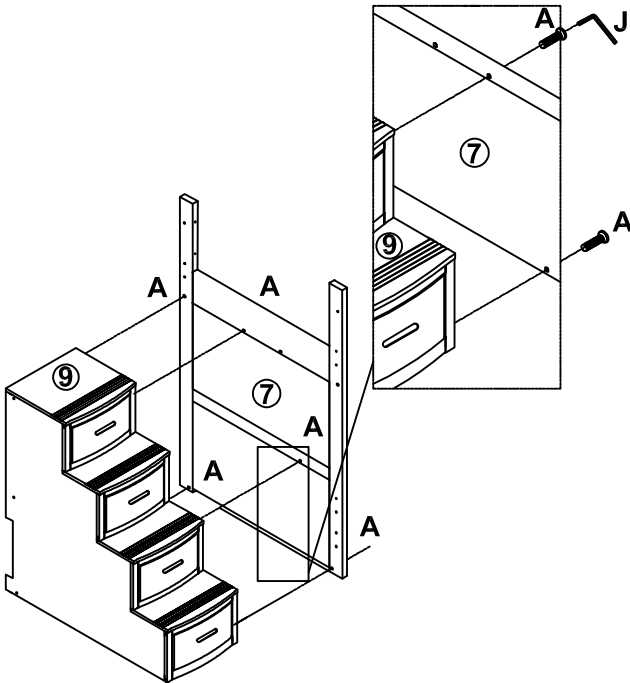


Thank you for purchasing this quality product. Be sure to check all packing material carefully for small parts which may have come loose inside the carton during shipment. Identify and count all parts and compare with the parts list. Read all instructions before assembling furniture and keep these instructions for future reference.

ASSEMBLY INSTRUCTION

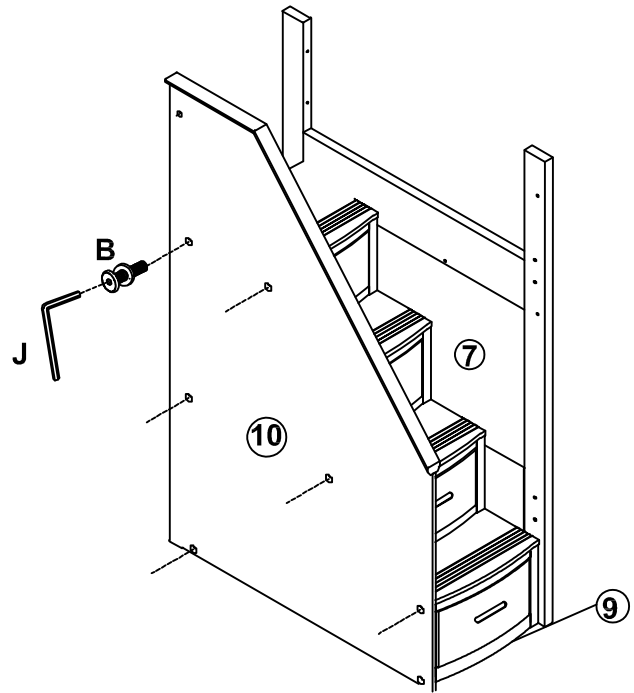
Step 1

Assemble steps to Step-End end panel.



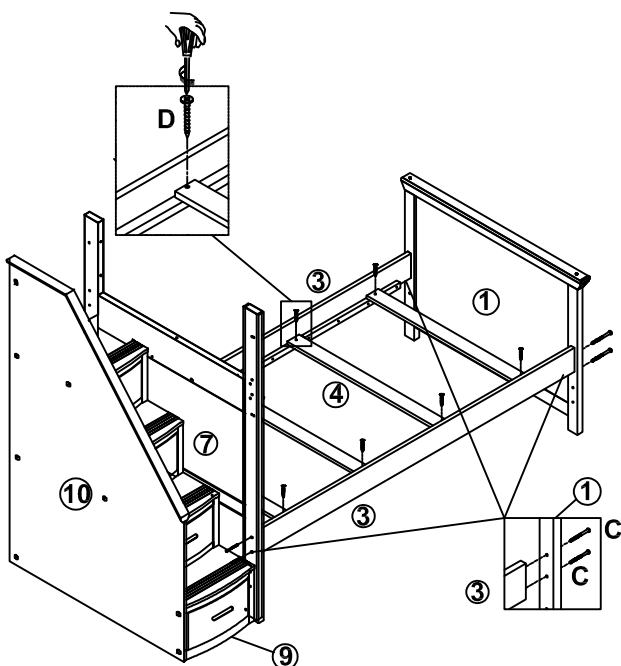
Step 2

Assemble hand rail panel to steps



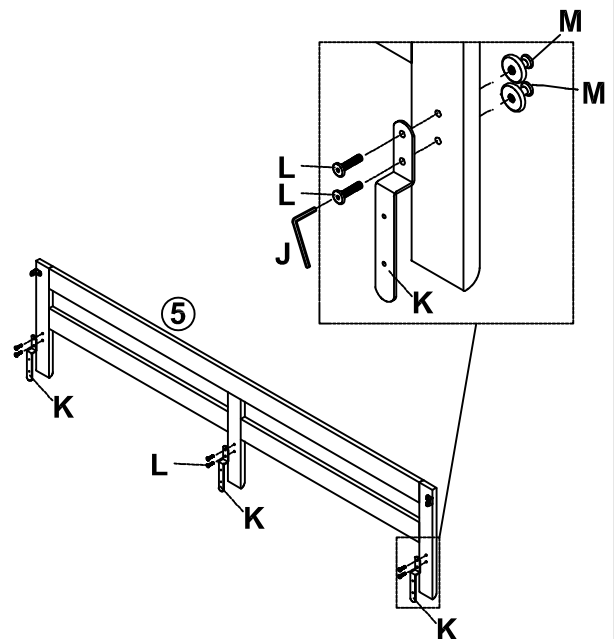
Step 3

Assemble regular side rails to lower bed ends & Step-End end panel. Place slats on regular side rail cleats. Use screws as shown, tighten with screwdriver.

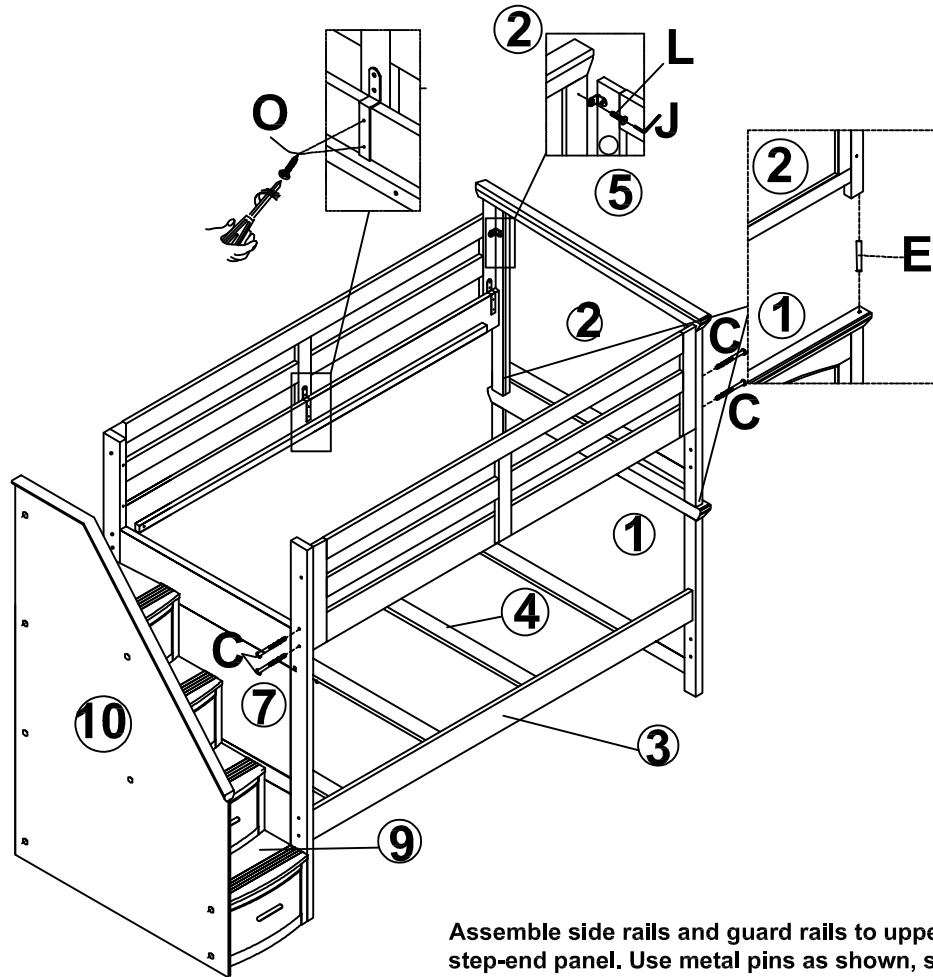


Step 4

Assemble metal plates to guard rails. Complete this process for both guard rails.

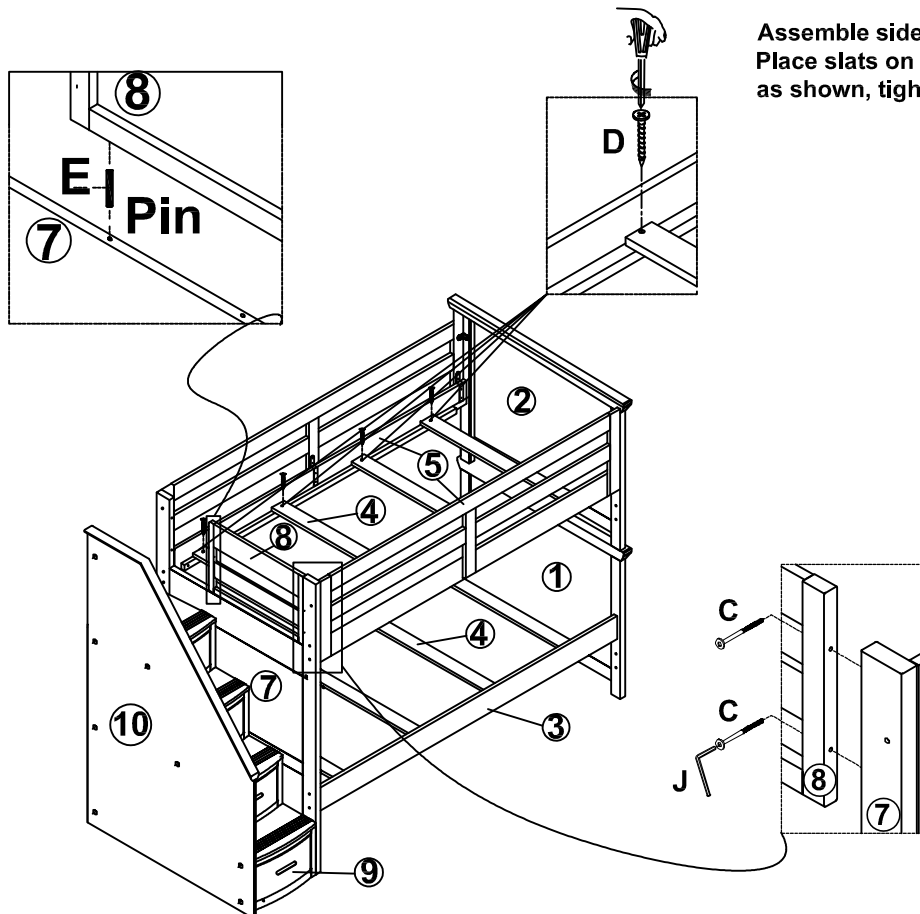


Step 5



Assemble side rails and guard rails to upper bed ends & step-end panel. Use metal pins as shown, set up upper bunk bed to lower bunk bed.

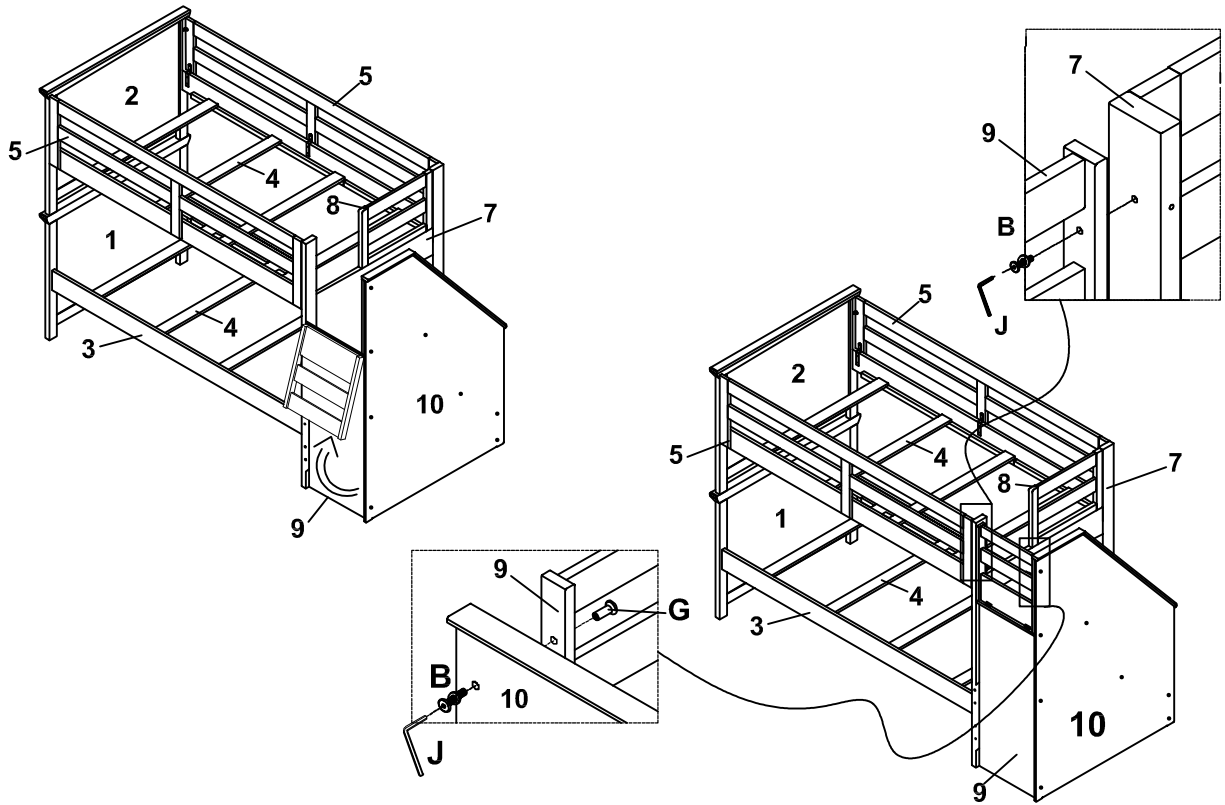
Step 6



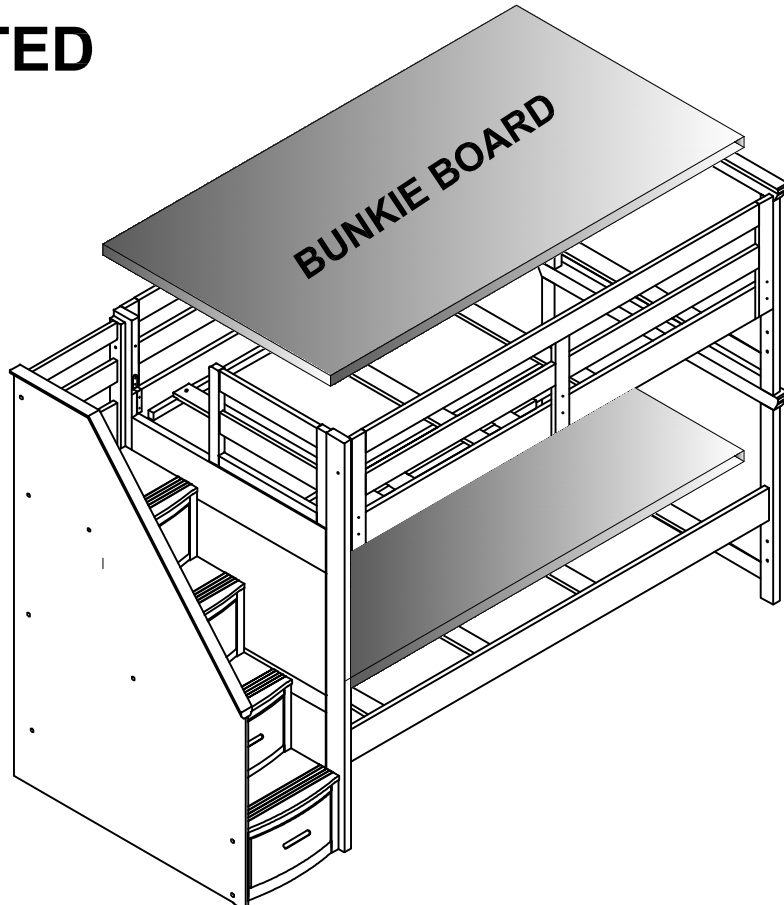
Assemble side fence to step and panel. Place slats on upper rail cleats. Use screws as shown, tighten with screwdriver.

Step 7

Assemble back fence to end panel and steps.



COMPLETED

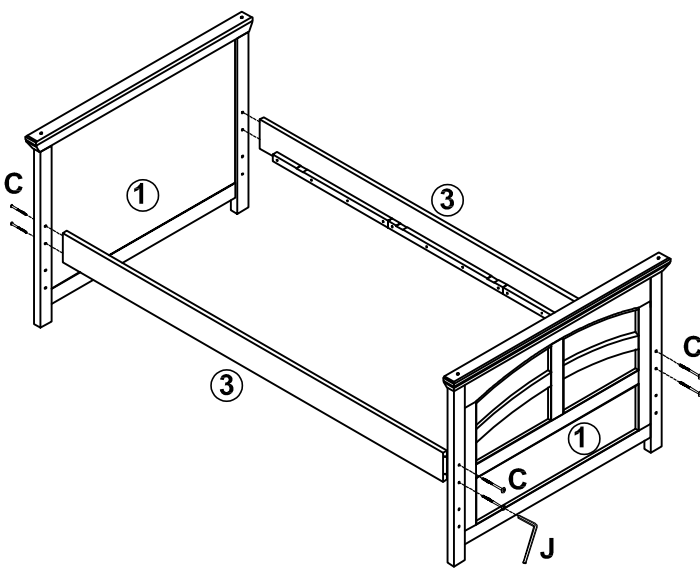


WARNING

The bed slats included with this bed will not support a mattress alone, this bed requires Bunkie boards (sold separately)

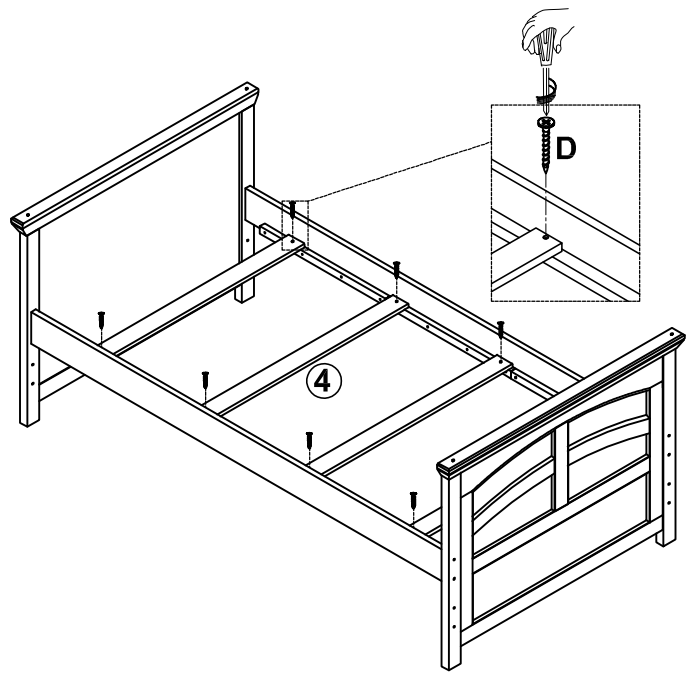
Step 1

Assemble regular side rails to lower bed ends.



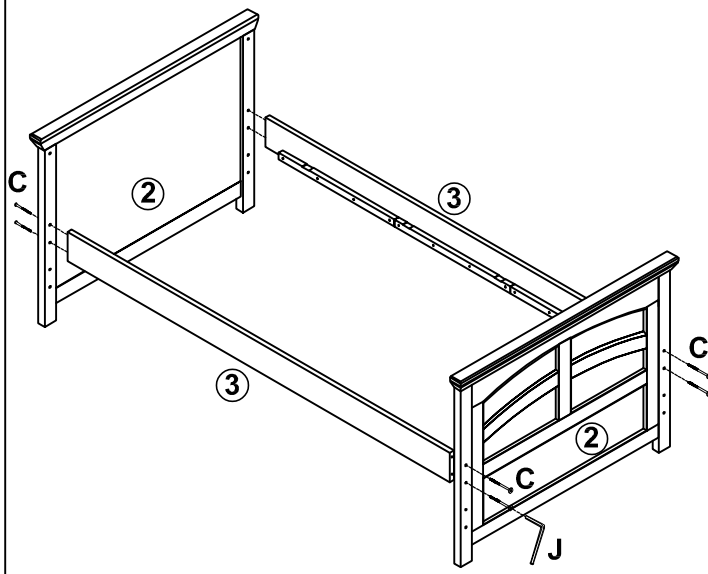
Step 2

Place slats on regular side rail cleats. Use screws as shown, tighten with screwdriver.



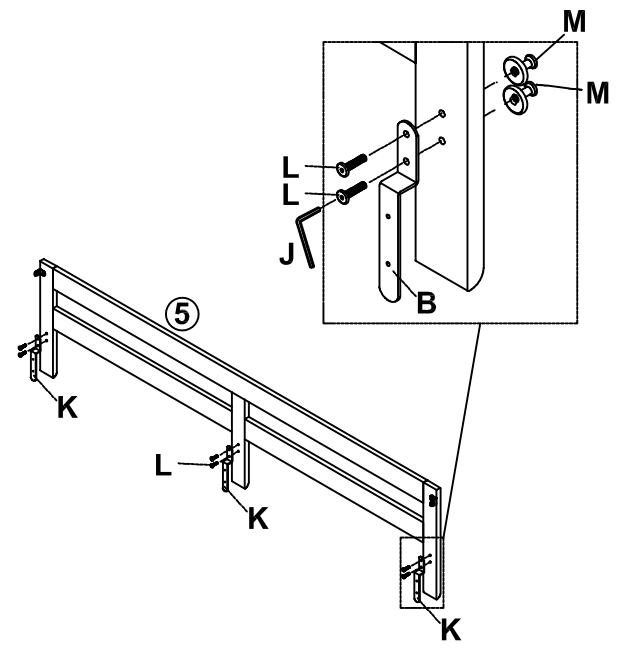
Step 3

Assemble regular side rails to upper bed ends.



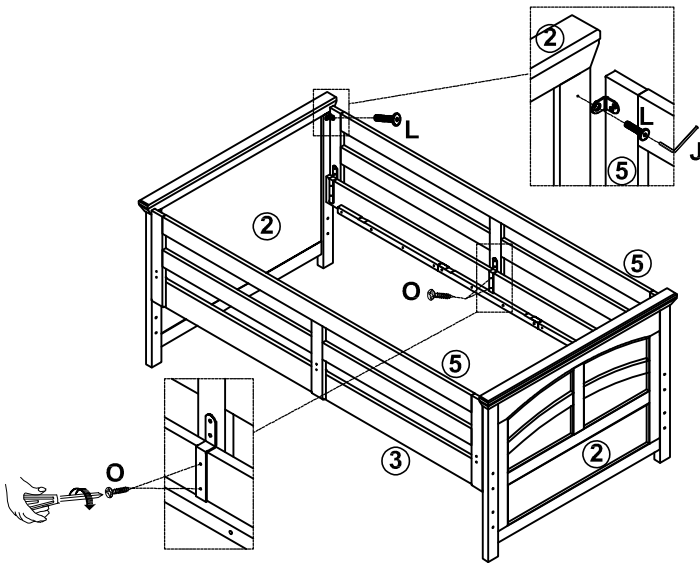
Step 4

Assemble metal plates to guard rails. Complete this process for both guard rails.



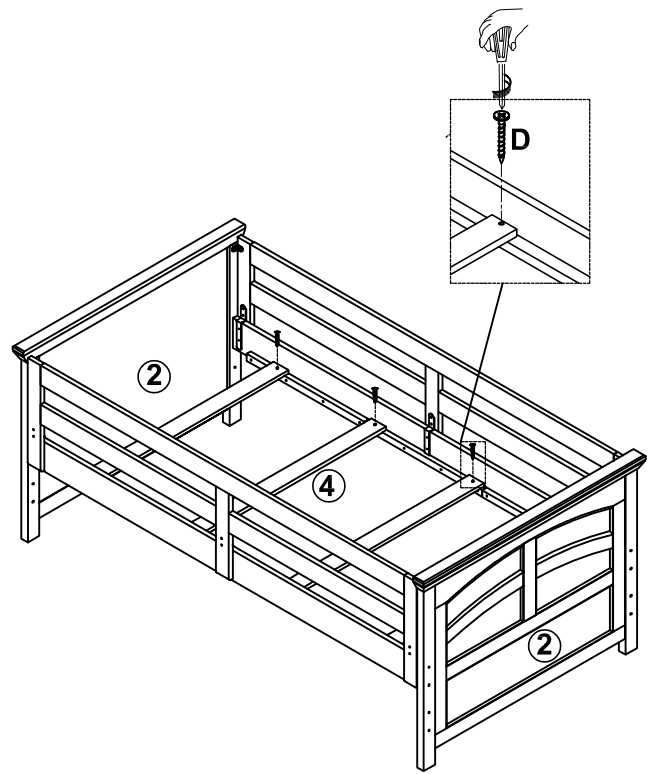
Step 5

Assemble guard rails to upper bed ends



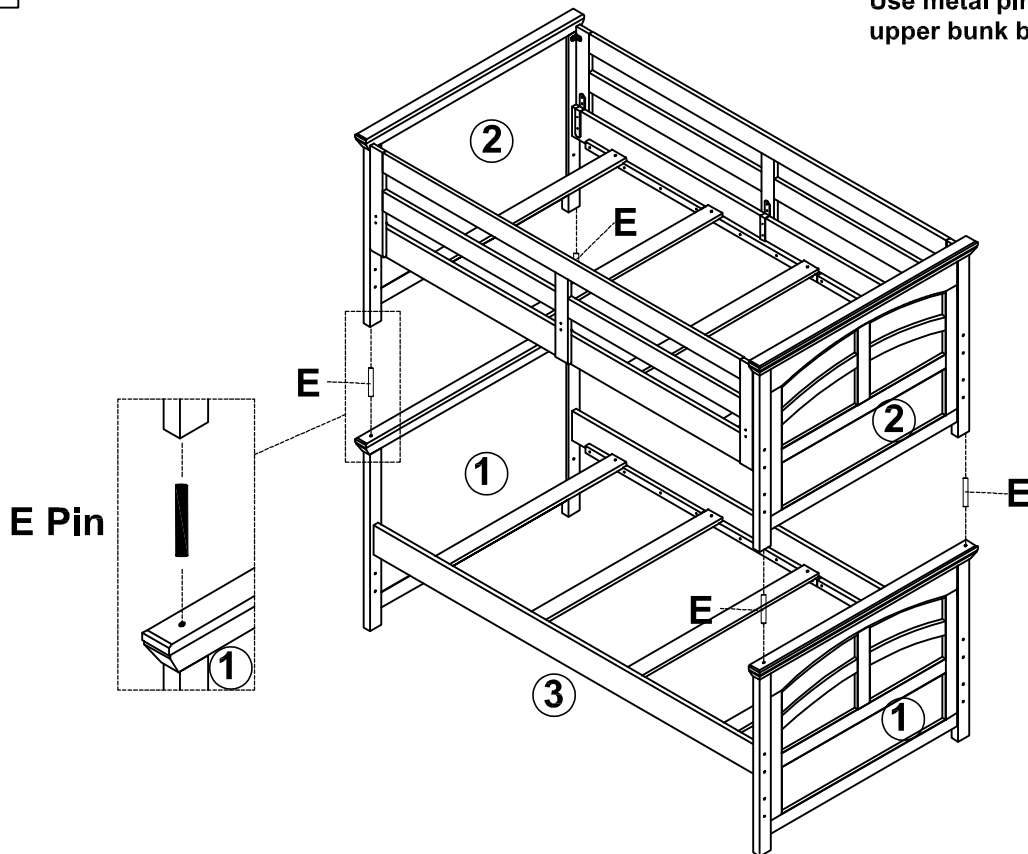
Step 6

Assemble slats to upper rails cleats for upper bed ends.



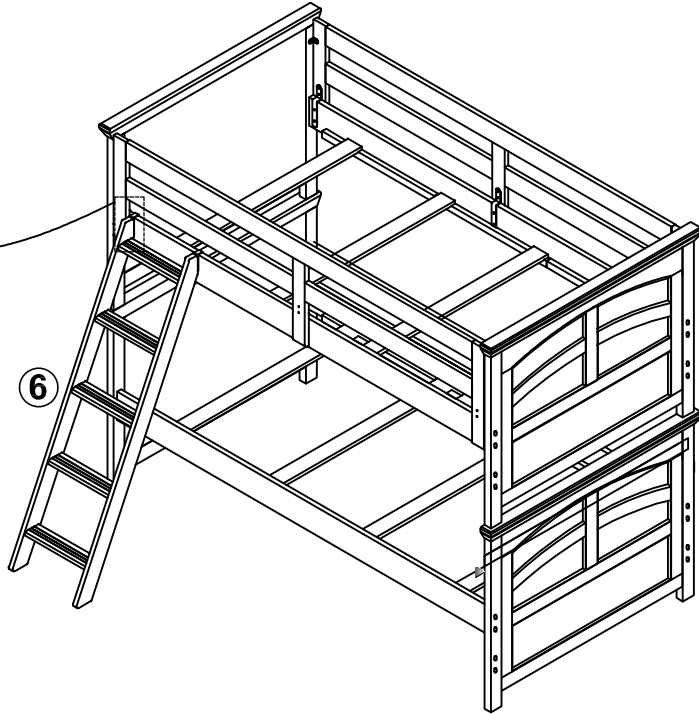
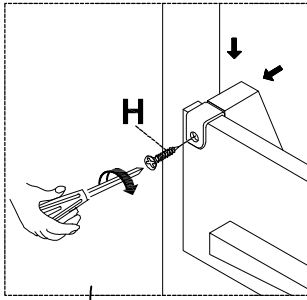
Step 7

Use metal pins as shown, set up upper bunk bed to lower bunk bed.

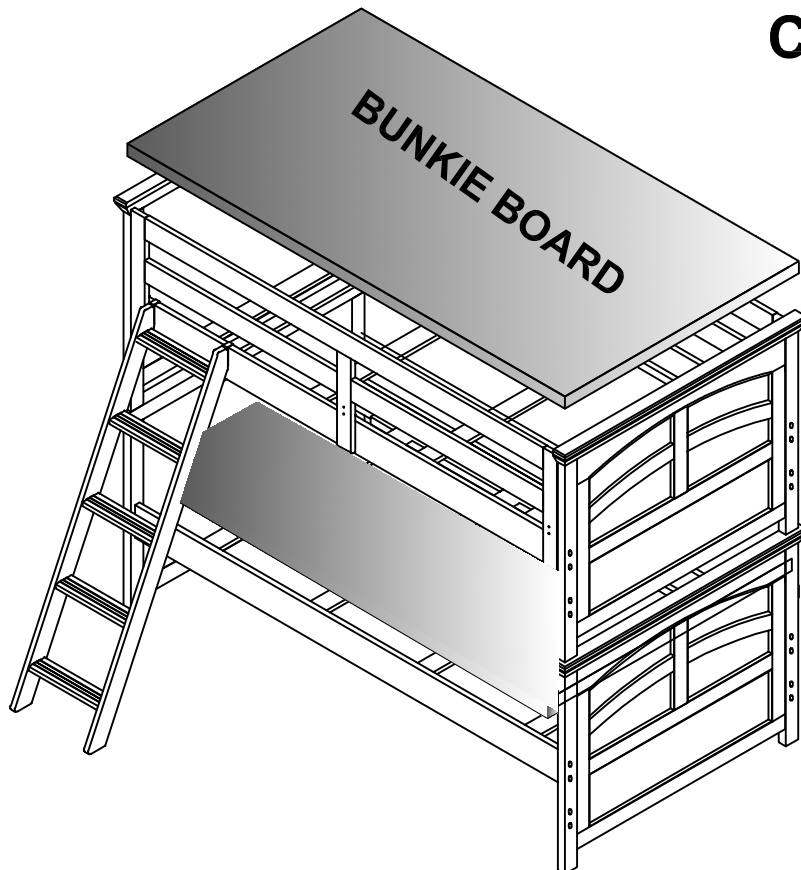


Step 8

Screw ladder to upper side rail to complete assembly.



COMPLETED

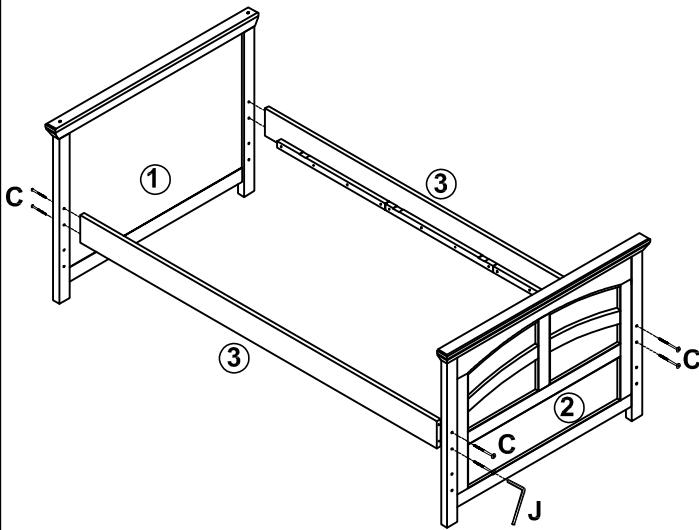


WARNING

The bed slats included with this bed will not support a mattress alone, this bed requires Bunkie boards (sold separately)

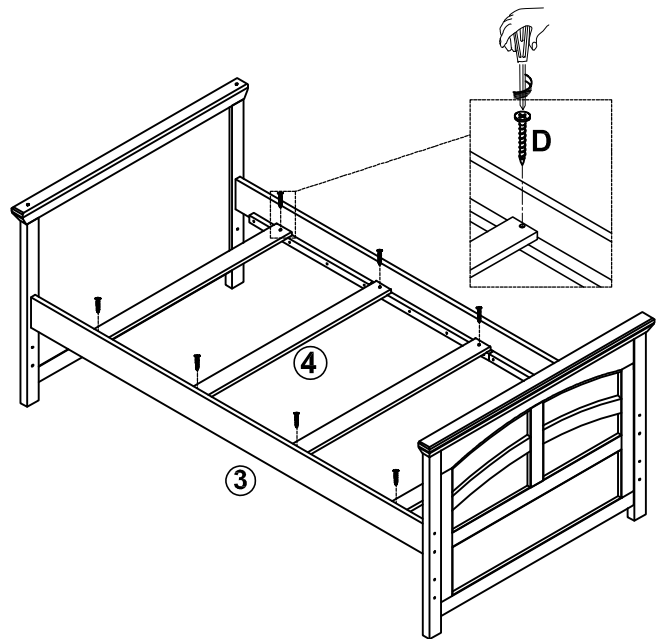
Step 1

Assemble regular side rails to lower and upper bed ends.



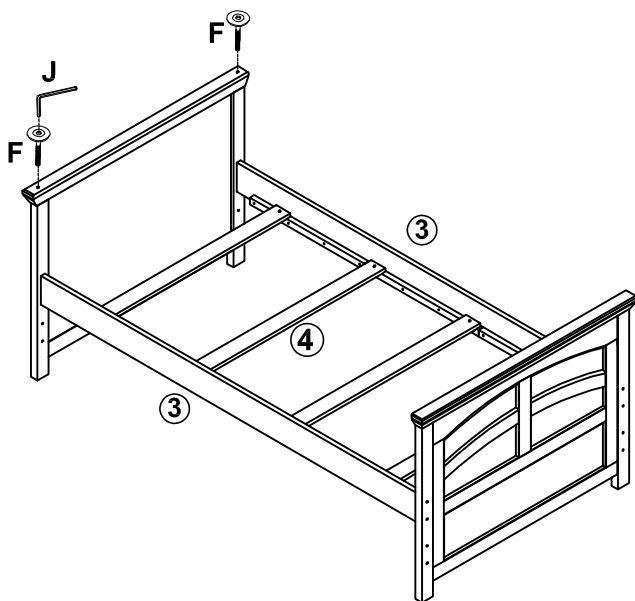
Step 2

Place slats on regular side rail cleats. Use screws as shown, tighten with screwdriver.



Step 3

Attach bolts in pre-drilled holes on the top of lower bed end.



COMPLETED

Twin And Full Bed

