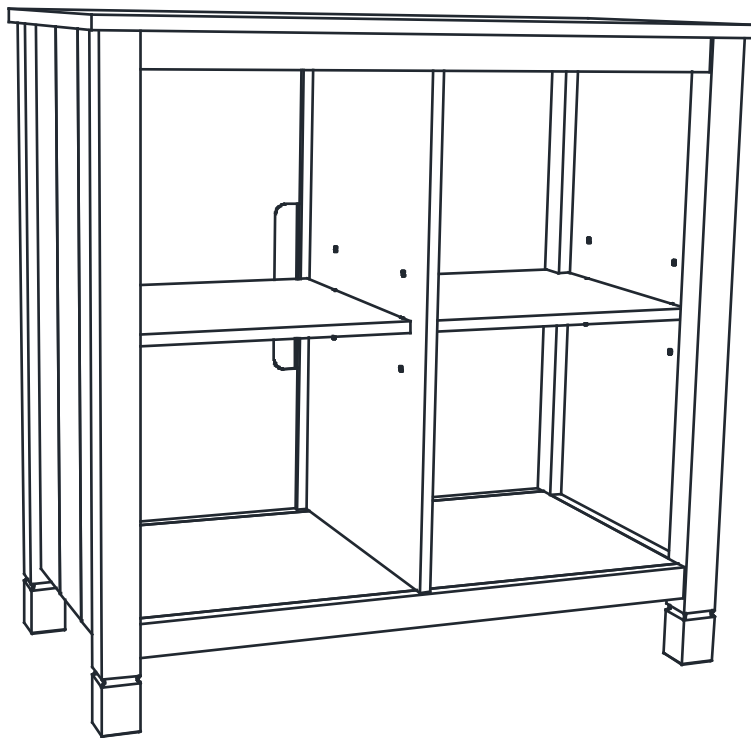


WESTWOOD DESIGN



Assembly Instruction

COTTAGE COLORS

Bookcase

Model: CC-BC-2116BC-WHT (BC-24116BC-W)

CC-BC-2116BC-GRY (BC-24116BC-G)

CC-BC-2116BC-NAV (BC-24116BC-B)

RTG SKU #: 39624083 (WHT)

39624095 (GRY)

39624108 (NAV)

Congratulations on your purchase of a Westwood product. We take great pride in the quality and design of our furniture. It is important that you read these instructions carefully and completely to ensure that this product functions as it was designed.

After opening the package, check to see that all the parts are present. If you think something is missing, please contact your retailer, and they can arrange to have the missing parts quickly replaced. You can also contact us directly, by calling 1-908-719-4707, or emailing support@westwoodbaby.com

If any aspect of these instructions is unclear, please contact your retailer or Westwood Design for assistance.

NOTES ON CARE AND MAINTENANCE:

- . Do not scratch or chip the finish
- . Inspect the product periodically, contact Westwood Design for replacement parts or questions.
- . Do not store the product or any parts in extreme temperatures and conditions such as hot attic or a damp, cold basement. These extremes can cause a loss of structural integrity.
- . To preserve the luster of the high quality finish on your product, it is recommended to place a dolly or felt pad under any items you place on the finish.
- . Clean with a damp cloth, then a dry cloth to preserve the original luster and beauty of this fine finish.
- . Do not use abrasive chemicals.
- . Do not spray cleaners directly onto furniture.
- . Lift slightly when moving on carpeting to prevent leg breakage.
- . Use of a vaporizer near furniture will cause wood to swell and finish to peel.

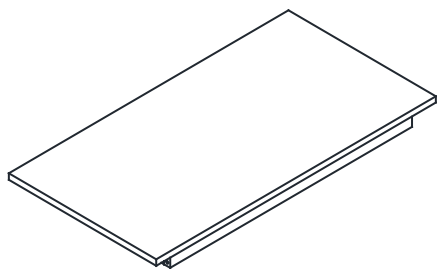


Westwood Design
635 N. Billy Mitchell Rd.,
Salt Lake City, UT 84116
Phone: 908-719-4707

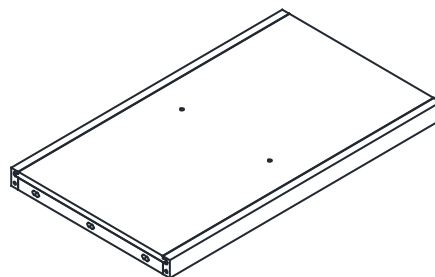
www.westwoodbaby.com

Parts & Hardware Included

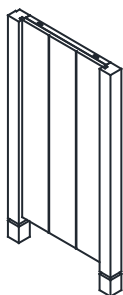
A Top Panel (x1)



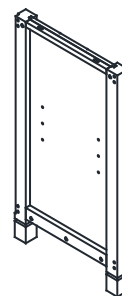
B Bottom Panel (x1)



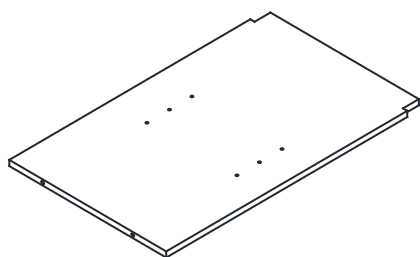
C Side Panel-Left (x1)



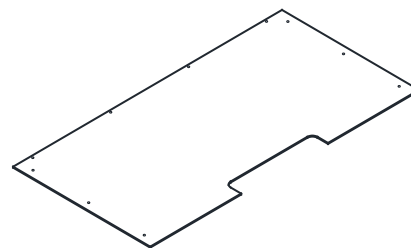
D Side Panel-Right (x1)



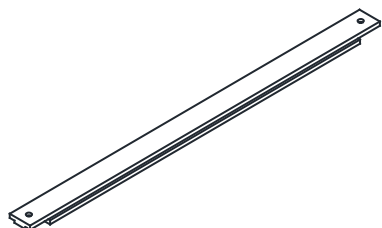
E Center Panel (x1)



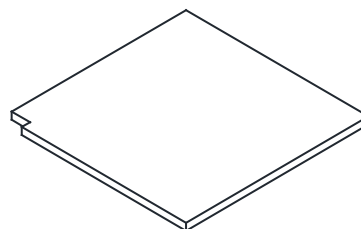
F Back Panel (x2)



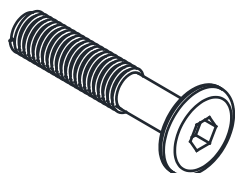
G Back Support Rail (x1)



H Shelf (x2)



I Allen Bolt (x14)
M6 x 35mm

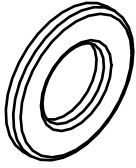


J Spring Washer (x14)
M6

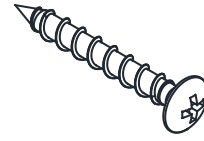


Parts & Hardware Included

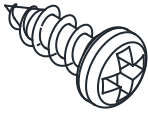
K Flat Washer (x14)
M6



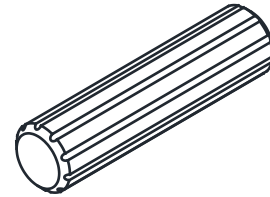
L Pan Head Screw (x2)
M4 x 25mm



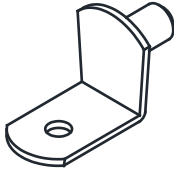
M Pan Head Screw (x20)
M3.5 x 16mm



N Wood Dowel (x20)
8 x 30mm



O Shelf Tab (x8)



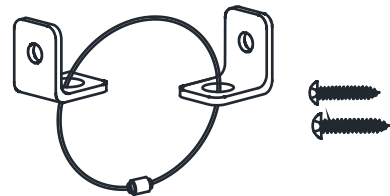
P Pan Head Screw (x8)
M3.5 x 12mm



Q Allen Key (x1)
M4



R Furniture tipping restraint (x1)

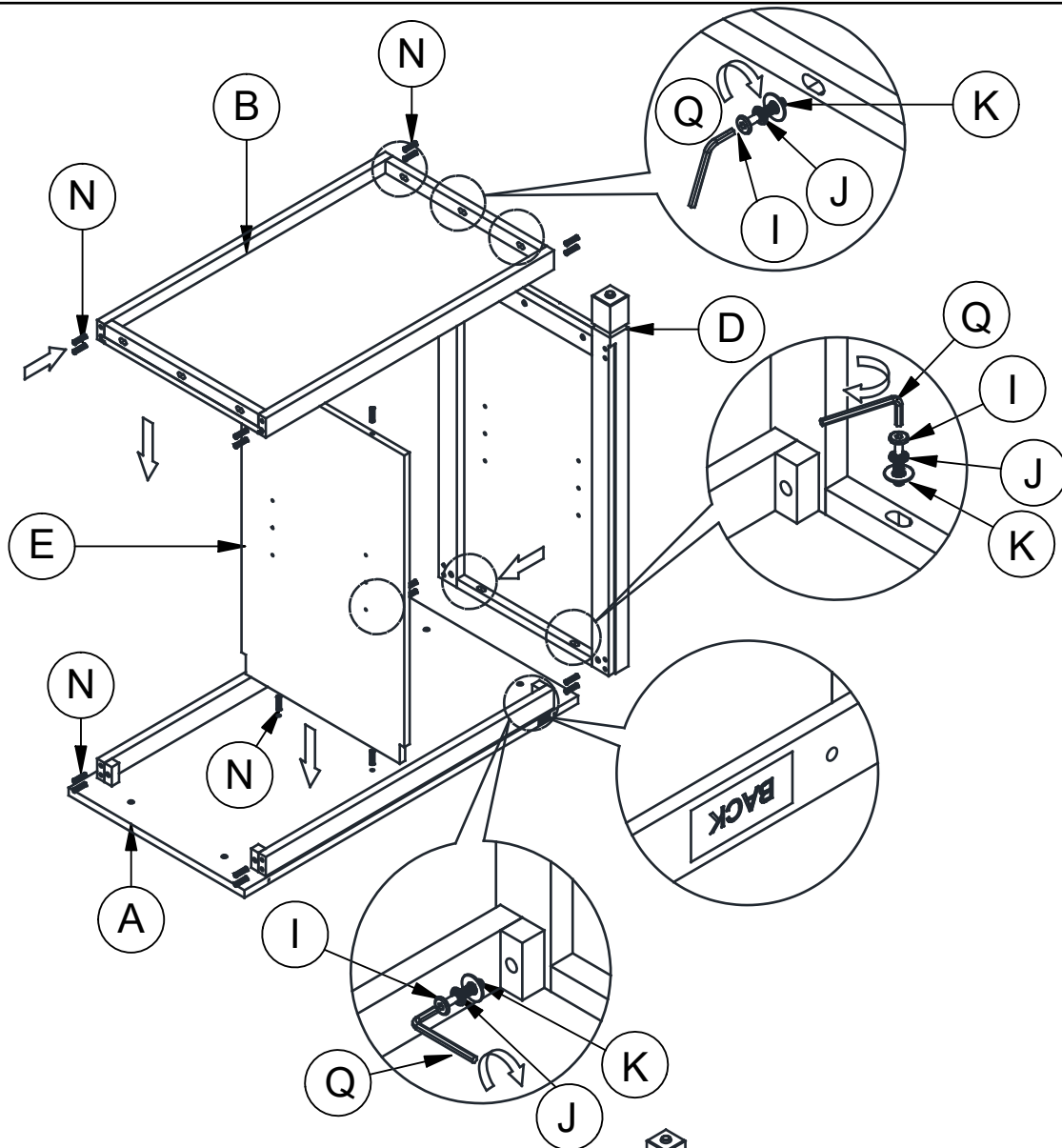


Screwdriver - Not provided

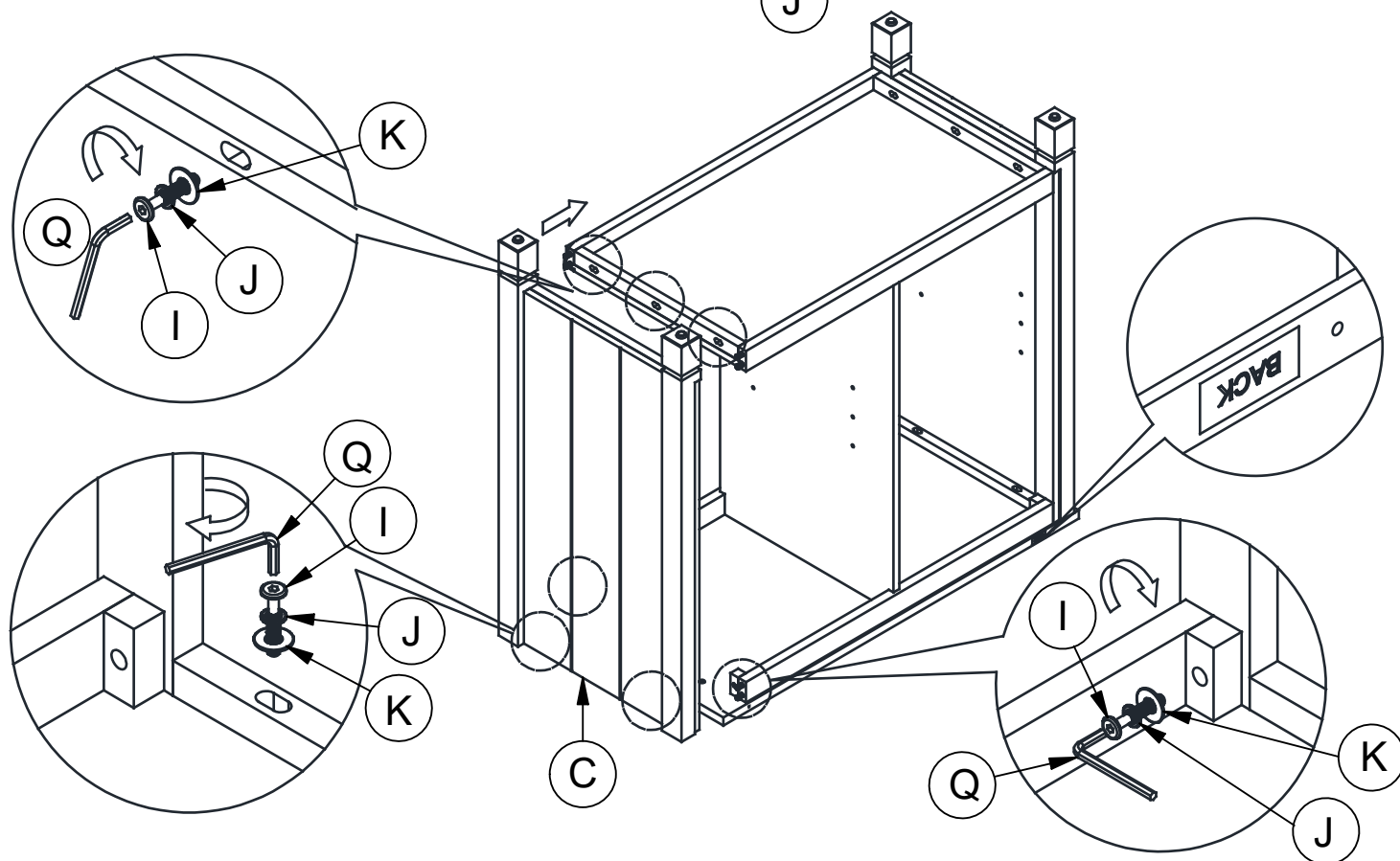


Required Parts & Hardware

Step 1

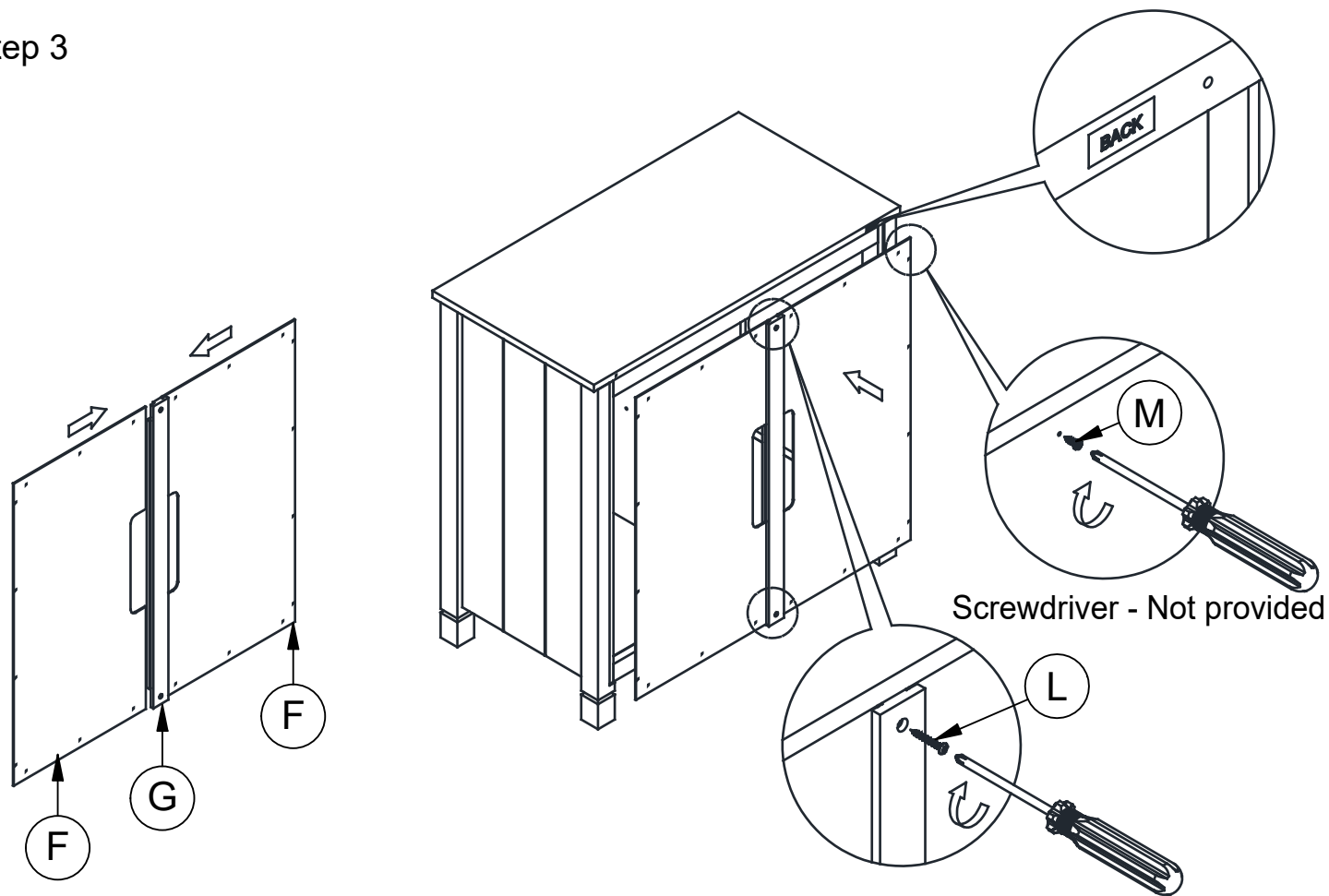


Step 2



Required Parts & Hardware

Step 3



Screwdriver - Not provided

Step 4

