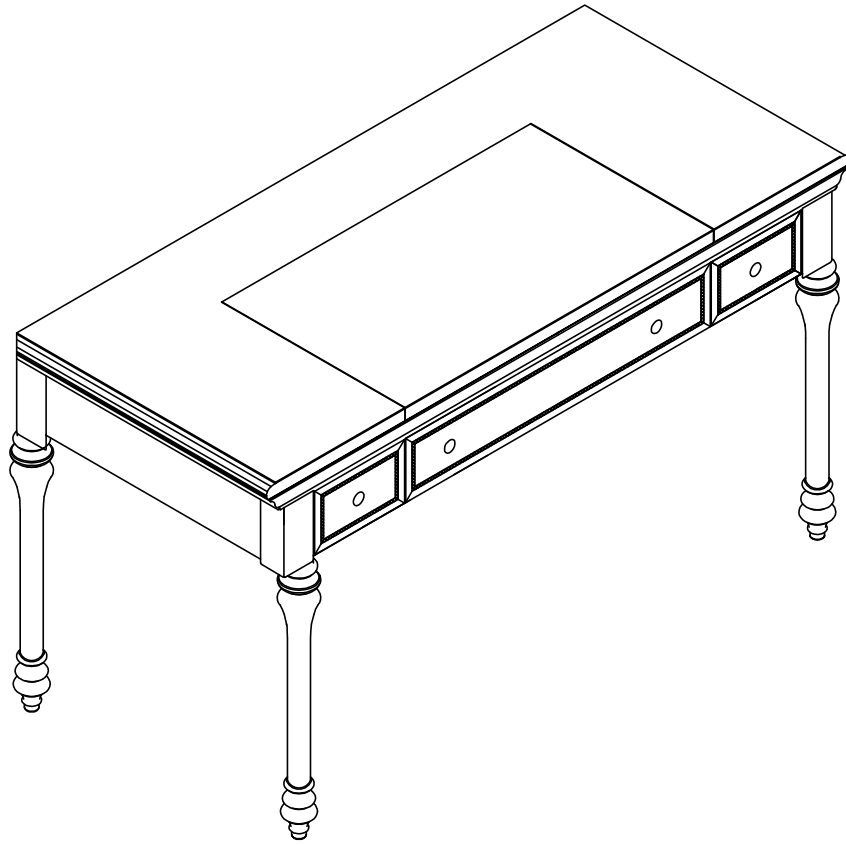


# 992/899 DESK VANITY

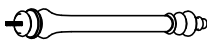
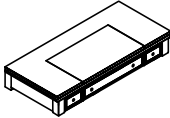




RTG SKU	STYLE #	COLOR	DESCRIPTION
39709920	992-12E	WHITE	DESK VANITY
36589907	899-12E	PLATINUM	DESK VANITY

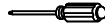
This product is manufactured by **GLOB** for

**ROOMS TO GO** | **KIDS™**

DO NOT USE SUBSTITUTE PARTS. PLEASE CONTACT YOUR RETAIL STORE OR [WWW.ROOMSTOGO.COM](http://WWW.ROOMSTOGO.COM) WITH SERVICE OR PARTS REPLACEMENT REQUEST

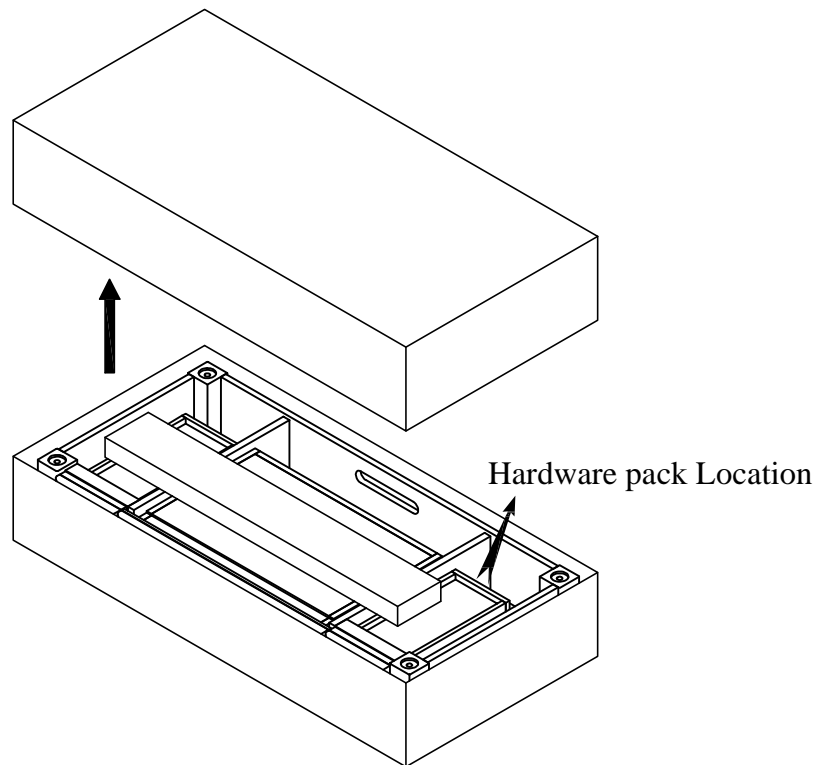
PARTS LIST :			
PARTS	PICTURE	DESCRIPTION	Q'TY
1		LEG	4PCS
2		DESK TOP	1PC
3		JEWELRY TRAY	1PC

HARDWARE LIST			Q'TY
A		Furniture Tipping Restraint Screw Driver Is Not Included (Customer to assemble)	1Pc

TOOL REQUIRED	
	SCREW DRIVER (NOT INCLUDED)

**Hardware Pack Locations:**

RTG SKU	STYLE #	COLOR	DESCRIPTION
39709920	992-12E	WHITE	DESK VANITY
36589907	899-12E	PLATINUM	DESK VANITY



This product is manufactured by GLOB for

**ROOMS TO GO | KIDS™**

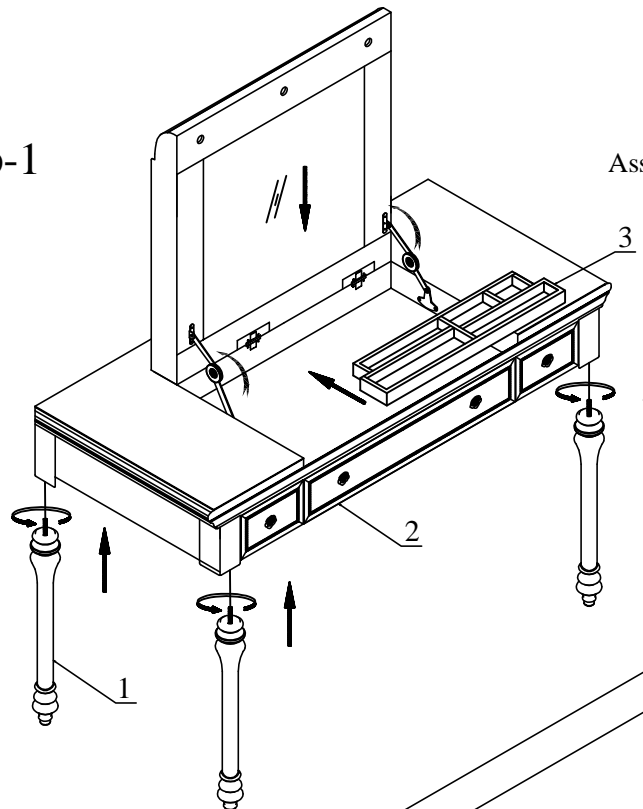
DO NOT USE SUBSTITUTE PARTS. PLEASE CONTACT YOUR RETAIL STORE OR [WWW.ROOMSTOGO.COM](http://WWW.ROOMSTOGO.COM) WITH SERVICE OR PARTS REPLACEMENT REQUEST

Thank you for purchasing this quality product. Be sure to check all packing materials carefully for small parts which may have come loose inside the carton during shipment. Identify and count all parts and compare with the parts list. Read all instructions before assembling furniture and keep these instructions for future reference.

# ASSEMBLY INSTRUCTION

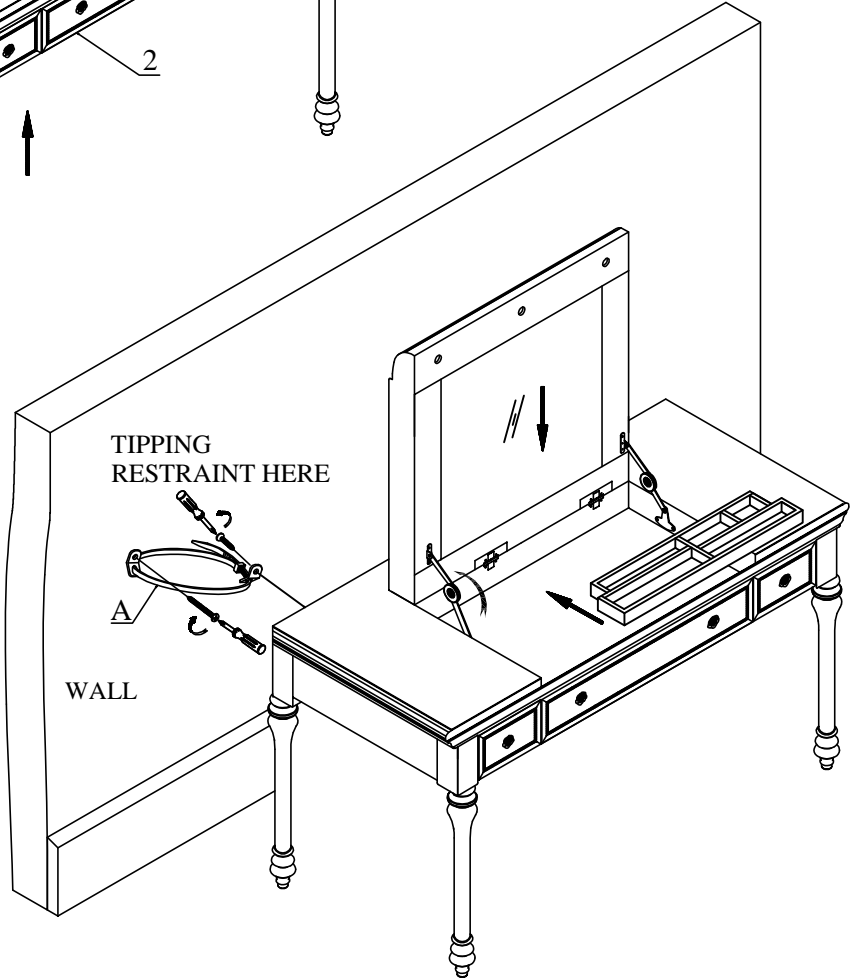
## Step-1

Assemble K/D legs to the desk.



## Step-2

Assemble anti-tipping kit to the wall and casegood.

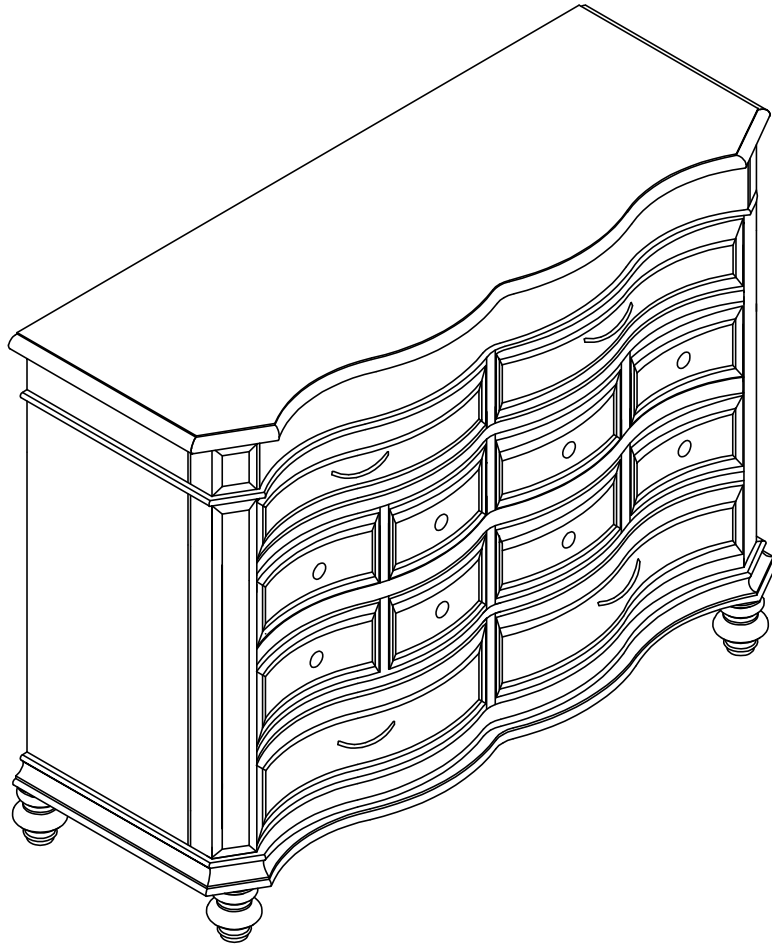


This product is manufactured by GLOB for

# ROOMS TO GO | KIDS™

DO NOT USE SUBSTITUTE PARTS. PLEASE CONTACT YOUR RETAIL STORE OR [WWW.ROOMSTOGO.COM](http://WWW.ROOMSTOGO.COM) WITH SERVICE OR PARTS REPLACEMENT REQUEST

# 992/899 8 DRAWER DRESSER

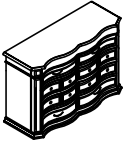





RTG SKU	STYLE #	COLOR	DESCRIPTION
39509926	992-5E	WHITE	8 DRAWER DRESSER
36389903	899-5E	PLATINUM	8 DRAWER DRESSER

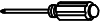
This product is manufactured by **GLOB** for

**ROOMS TO GO** | **KIDS™**

DO NOT USE SUBSTITUTE PARTS. PLEASE CONTACT YOUR RETAIL STORE OR [WWW.ROOMSTOGO.COM](http://WWW.ROOMSTOGO.COM) WITH SERVICE OR PARTS REPLACEMENT REQUEST

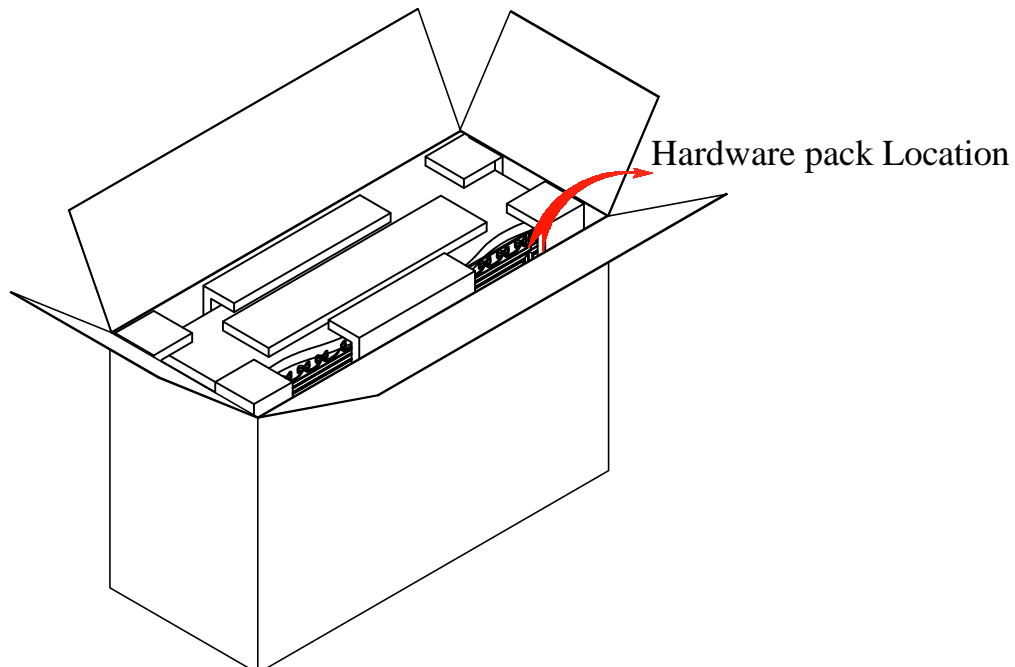
PARTS LIST :			
PARTS	PICTURE	DESCRIPTION	Q'TY
1		8 Drawer Dresser	1Pc
2		Leg	4Pcs

HARDWARE LIST			Q'TY
A		5mm Allen Wrench	1Pc
B		Furniture Tipping Restraint Screw Driver Is Not Included (Customer to assemble)	1Pc

TOOL REQUIRED	
	SCREW DRIVER (NOT INCLUDED)

### Hardware Pack Locations:

RTG SKU	STYLE #	COLOR	DESCRIPTION
39509926	992-5E	WHITE	8 DRAWER DRESSER
36389903	899-5E	PLATINUM	8 DRAWER DRESSER



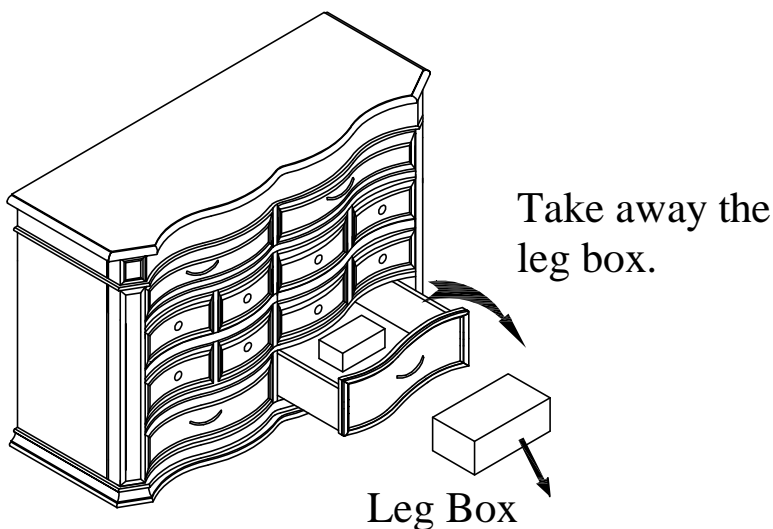
This product is manufactured by GLOB for **ROOMS TO GO** | **KIDS™**

DO NOT USE SUBSTITUTE PARTS. PLEASE CONTACT YOUR RETAIL STORE OR [WWW.ROOMSTOGO.COM](http://WWW.ROOMSTOGO.COM) WITH SERVICE OR PARTS REPLACEMENT REQUEST

Thank you for purchasing this quality product. Be sure to check all packing materials carefully for small parts which may have come loose inside the carton during shipment. Identify and count all parts and compare with the parts list. Read all instructions before assembling furniture and keep these instructions for future reference.

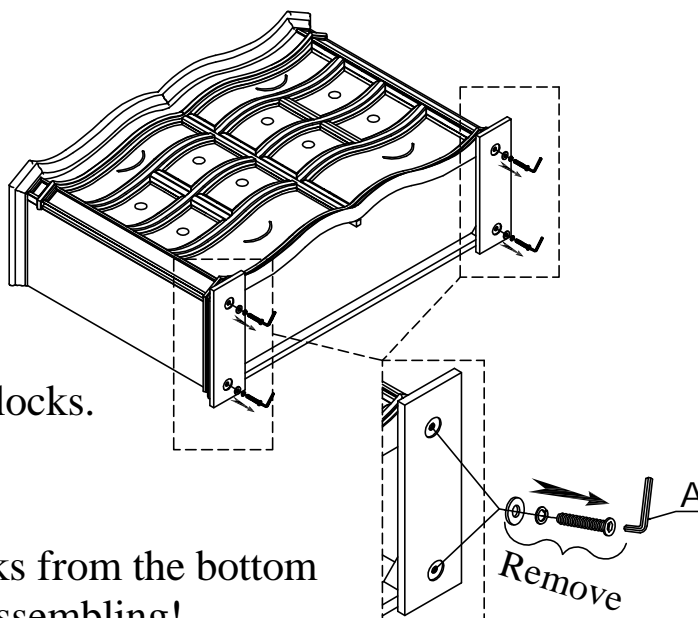
## ASSEMBLY INSTRUCTION

### Step-1



### Step-2

Use allen wrench to remove the wooden blocks.



Remove all wooden blocks from the bottom of the case piece before assembling!

This product is manufactured by GLOB for

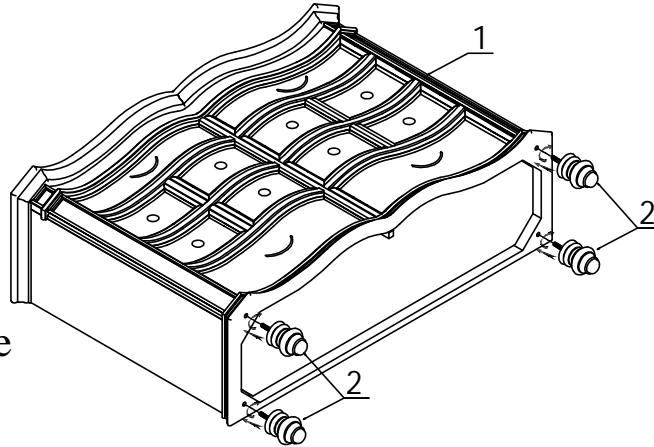
**ROOMS TO GO** | **KIDS™**

DO NOT USE SUBSTITUTE PARTS. PLEASE CONTACT YOUR RETAIL STORE OR [WWW.ROOMSTOGO.COM](http://WWW.ROOMSTOGO.COM) WITH SERVICE OR PARTS REPLACEMENT REQUEST

# ASSEMBLY INSTRUCTION

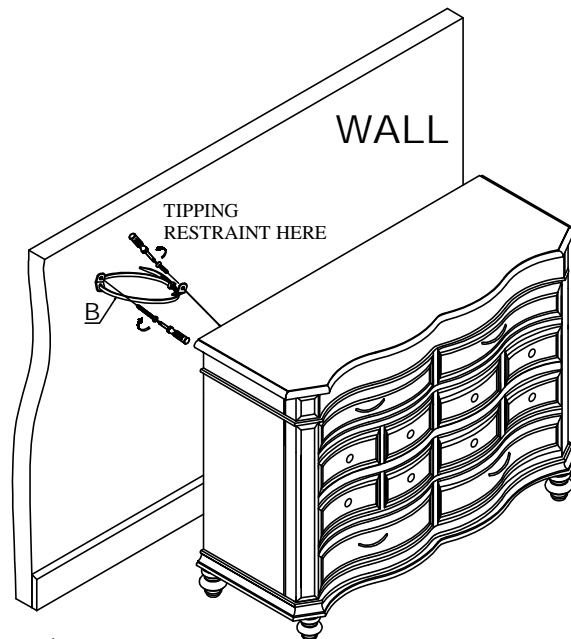
## Step-3

Assemble the  
K/D Legs.



## Step-4

Assemble the  
anti-tipping kit to  
the wall and casegood.

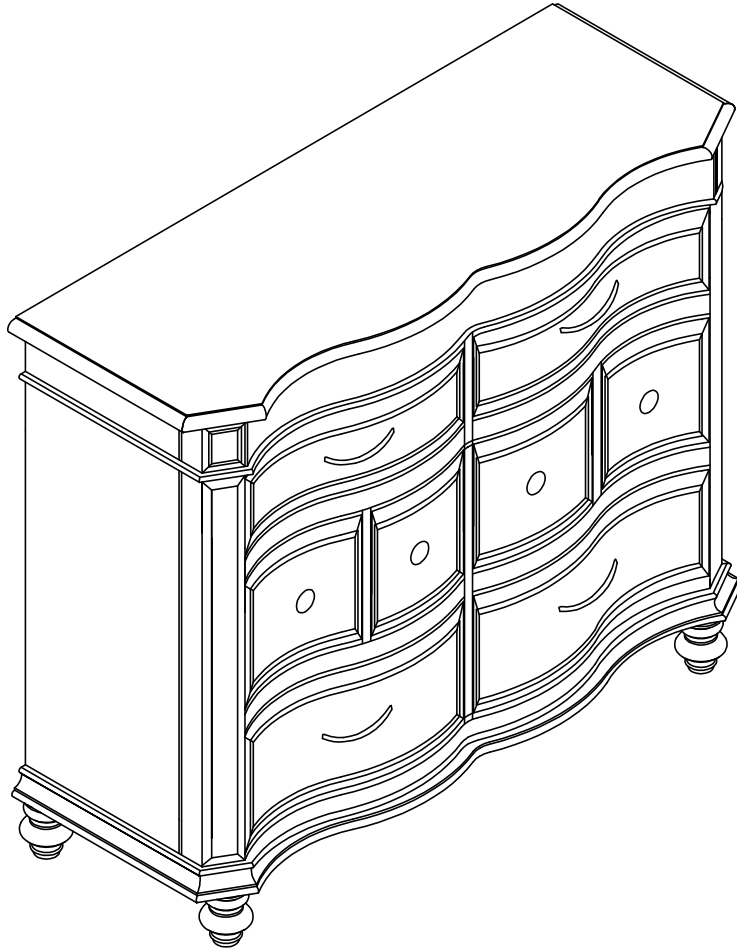


This product is manufactured by GLOB for

**ROOMS TO GO** | **KIDS™**

DO NOT USE SUBSTITUTE PARTS. PLEASE CONTACT YOUR RETAIL STORE OR [WWW.ROOMSTOGO.COM](http://WWW.ROOMSTOGO.COM)  
WITH SERVICE OR PARTS REPLACEMENT REQUEST

# 992/899 6 DRAWER DRESSER





RTG SKU	STYLE #	COLOR	DESCRIPTION
39409924	992-17E	WHITE	6 DRAWER DRESSER
36289901	899-17E	PLATINUM	6 DRAWER DRESSER



This product is manufactured by **GLOB** for

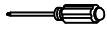
**ROOMS TO GO** | **KIDS™**

DO NOT USE SUBSTITUTE PARTS. PLEASE CONTACT YOUR RETAIL STORE OR [WWW.ROOMSTOGO.COM](http://WWW.ROOMSTOGO.COM) WITH SERVICE OR PARTS REPLACEMENT REQUEST



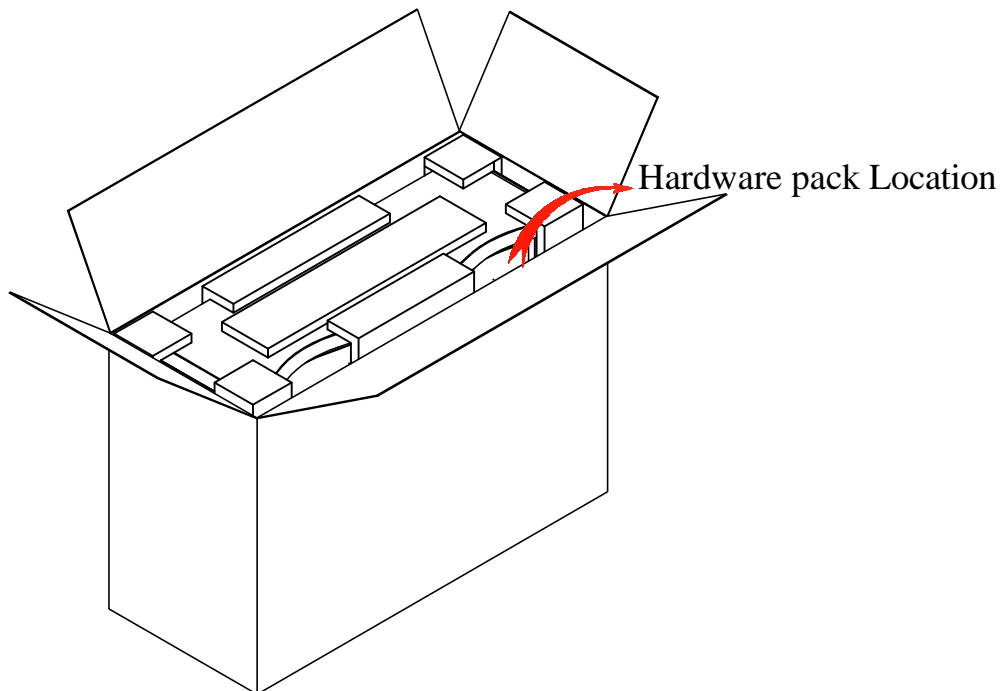
PARTS LIST :			
PARTS	PICTURE	DESCRIPTION	Q'TY
A		6 Drawer Dresser	1Pc
B		Leg	4Pcs

HARDWARE LIST			Q'TY
A		5mm Allen Wrench	1Pc
B		Furniture Tipping Restraint 1Pc Screw Driver Is Not Included (Customer to assemble)	1Pc

TOOL REQUIRED	
	SCREW DRIVER (NOT INCLUDED)

**Hardware Pack Locations:**

RTG SKU	STYLE #	COLOR	DESCRIPTION
39409924	992-17E	WHITE	6 DRAWER DRESSER
36289901	899-17E	PLATINUM	6 DRAWER DRESSER



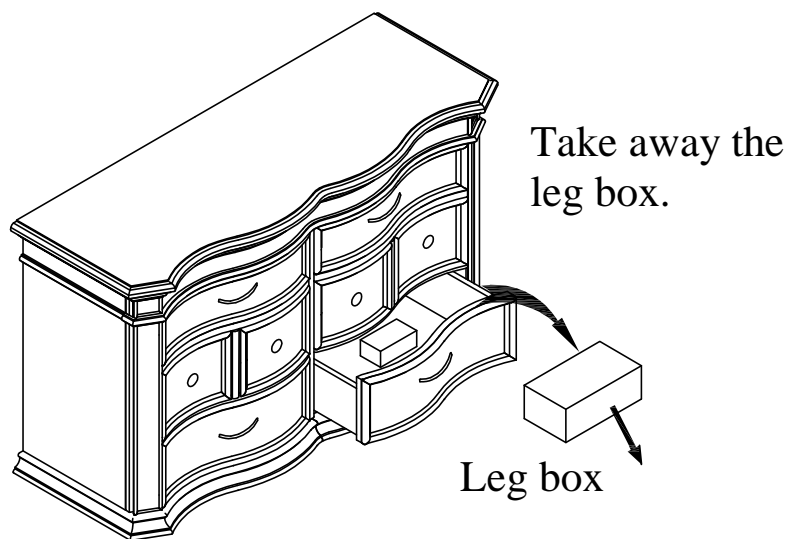
This product is manufactured by **GLOB** for **ROOMS TO GO | KIDS™**

DO NOT USE SUBSTITUTE PARTS. PLEASE CONTACT YOUR RETAIL STORE OR [WWW.ROOMSTOGO.COM](http://WWW.ROOMSTOGO.COM) WITH SERVICE OR PARTS REPLACEMENT REQUEST

Thank you for purchasing this quality product. Be sure to check all packing materials carefully for small parts which may have come loose inside the carton during shipment. Identify and count all parts and compare with the parts list. Read all instructions before assembling furniture and keep these instructions for future reference.

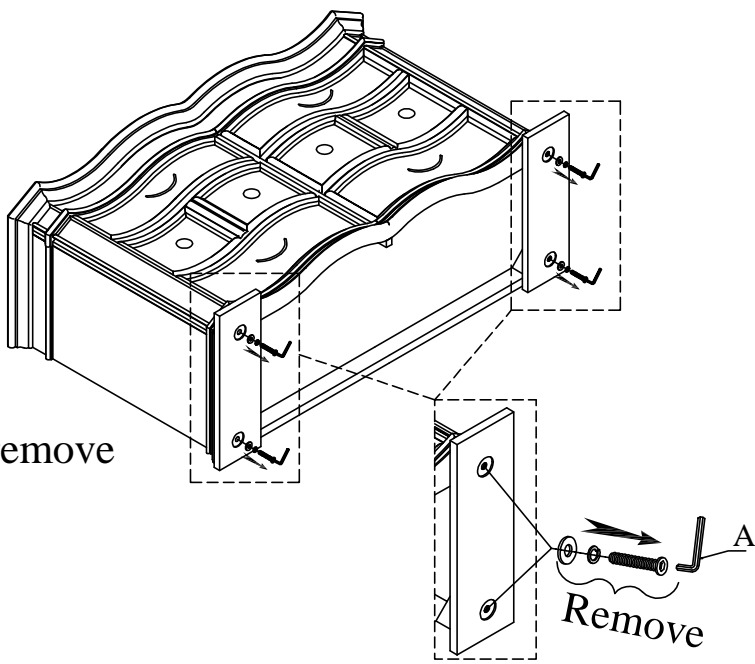
# ASSEMBLY INSTRUCTION

## Step-1



## Step-2

Use allen wrench to remove the wooden blocks.



Remove all wooden blocks from the bottom of the case piece before assembling!

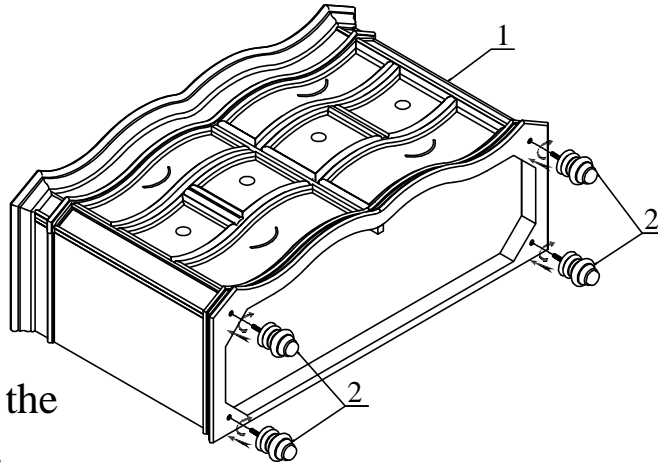
This product is manufactured by GLOB for

# ROOMS TO GO | KIDS™

DO NOT USE SUBSTITUTE PARTS. PLEASE CONTACT YOUR RETAIL STORE OR [WWW.ROOMSTOGO.COM](http://WWW.ROOMSTOGO.COM) WITH SERVICE OR PARTS REPLACEMENT REQUEST

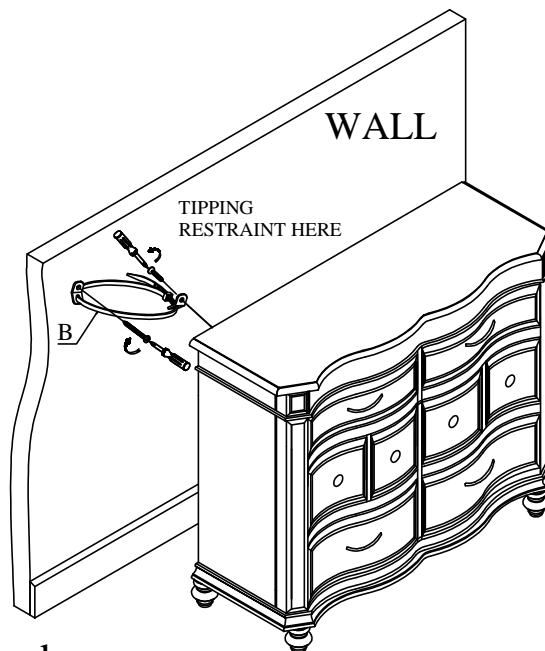
# ASSEMBLY INSTRUCTION

Step-3



Assemble the  
K/D Legs.

Step-4



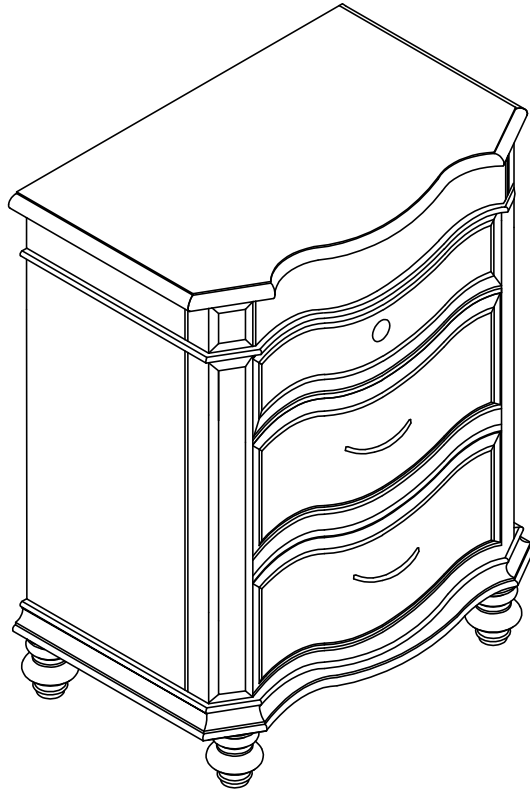
Assemble the  
anti-tipping kit to  
the wall and casegood.

This product is manufactured by GLOB for

**ROOMS TO GO** | **KIDS™**

DO NOT USE SUBSTITUTE PARTS. PLEASE CONTACT YOUR RETAIL STORE OR [WWW.ROOMSTOGO.COM](http://WWW.ROOMSTOGO.COM)  
WITH SERVICE OR PARTS REPLACEMENT REQUEST

# 992/899 2 DRAWER NIGHTSTAND







RTG SKU	STYLE #	COLOR	DESCRIPTION
39609928	992-4E	WHITE	2 DRAWER NIGHTSTAND
36489905	899-4E	PLATINUM	2 DRAWER NIGHTSTAND

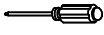
This product is manufactured by GLOB for

**ROOMS TO GO** | **KIDS™**

DO NOT USE SUBSTITUTE PARTS. PLEASE CONTACT YOUR RETAIL STORE OR [WWW.ROOMSTOGO.COM](http://WWW.ROOMSTOGO.COM) WITH SERVICE OR PARTS REPLACEMENT REQUEST

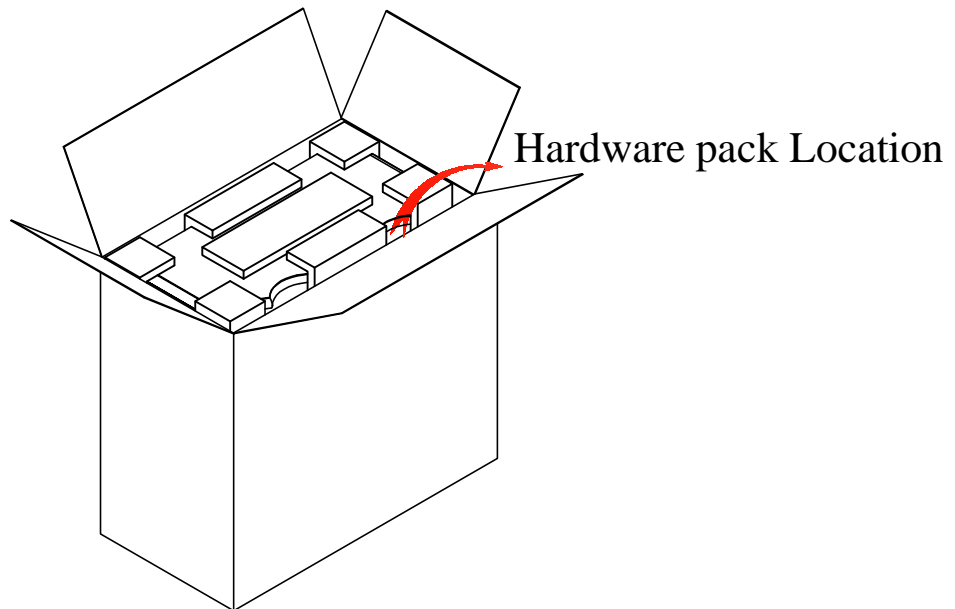
PARTS LIST :			
PARTS	PICTURE	DESCRIPTION	Q'TY
1		2 Drawer Nightstand	1pc
2		Leg	4Pcs

HARDWARE LIST			Q'TY
A		5mm Allen Wrench	1Pc
B		Furniture Tipping Restraint 1Pc Screw Driver Is Not Included (Customer to assemble)	1Pc

TOOL REQUIRED	
	SCREW DRIVER (NOT INCLUDED)

### Hardware Pack Locations:

RTG SKU	STYLE #	COLOR	DESCRIPTION
39609928	992-4E	WHITE	2 DRAWER NIGHTSTAND
36489905	899-4E	PLATINUM	2 DRAWER NIGHTSTAND



This product is manufactured by GLOB for

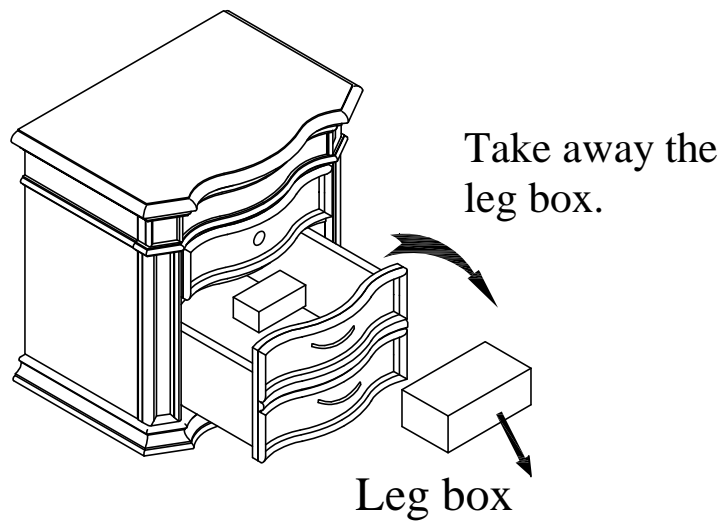
**ROOMS TO GO** | **KIDS™**

DO NOT USE SUBSTITUTE PARTS. PLEASE CONTACT YOUR RETAIL STORE OR [WWW.ROOMSTOGO.COM](http://WWW.ROOMSTOGO.COM) WITH SERVICE OR PARTS REPLACEMENT REQUEST

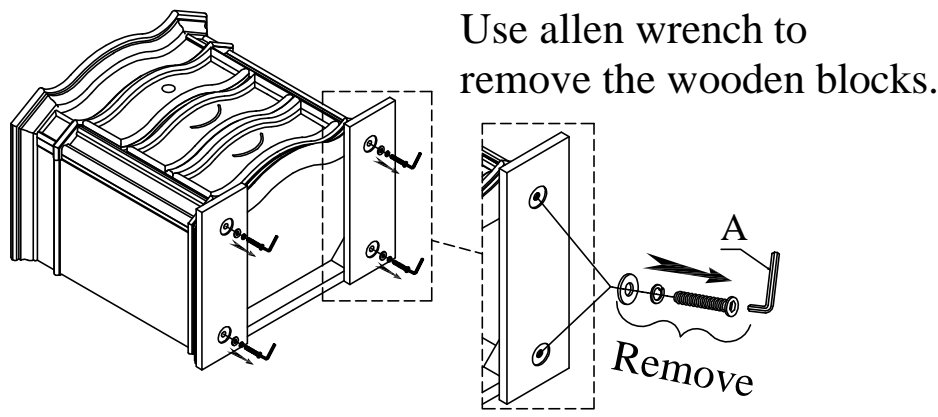
Thank you for purchasing this quality product. Be sure to check all packing materials carefully for small parts which may have come loose inside the carton during shipment. Identify and count all parts and compare with the parts list. Read all instructions before assembling furniture and keep these instructions for future reference.

# ASSEMBLY INSTRUCTION

## Step-1



## Step-2



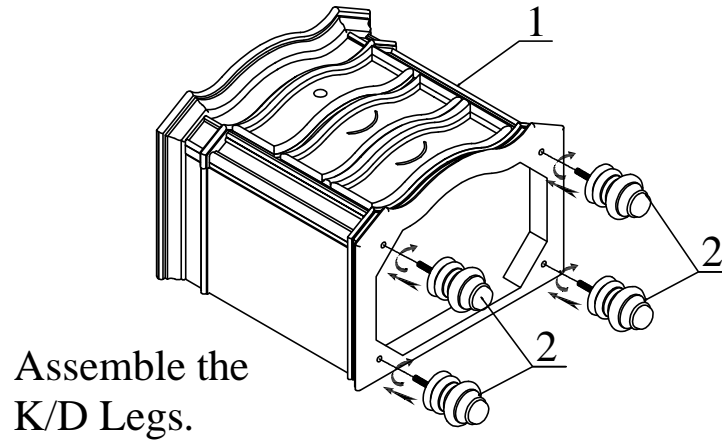
Remove all wooden blocks from the bottom of the case piece before assembling!

This product is manufactured by GLOB for **ROOMS TO GO | KIDS™**

DO NOT USE SUBSTITUTE PARTS. PLEASE CONTACT YOUR RETAIL STORE OR [WWW.ROOMSTOGO.COM](http://WWW.ROOMSTOGO.COM) WITH SERVICE OR PARTS REPLACEMENT REQUEST

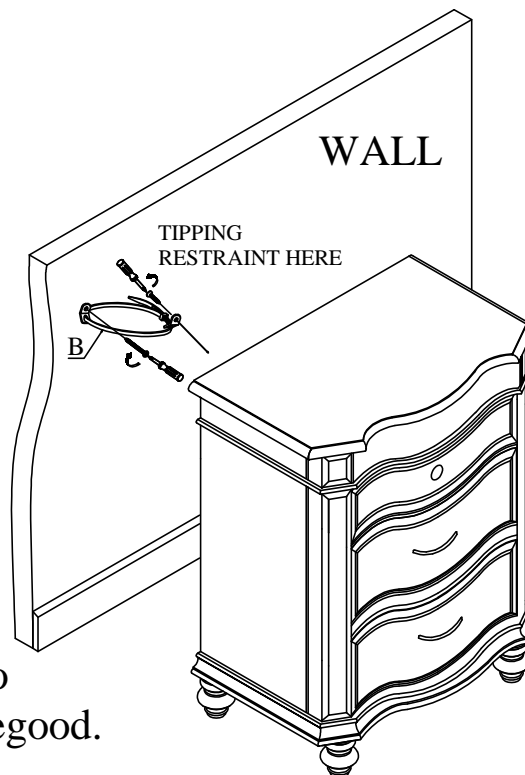
# ASSEMBLY INSTRUCTION

Step-3



Step-4

Assemble the anti-tipping kit to the wall and casegood.



This product is manufactured by GLOB for

**ROOMS TO GO** | **KIDS™**

DO NOT USE SUBSTITUTE PARTS. PLEASE CONTACT YOUR RETAIL STORE OR [WWW.ROOMSTOGO.COM](http://WWW.ROOMSTOGO.COM) WITH SERVICE OR PARTS REPLACEMENT REQUEST