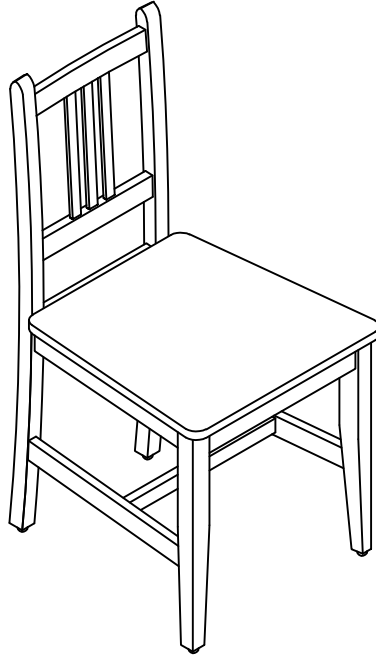
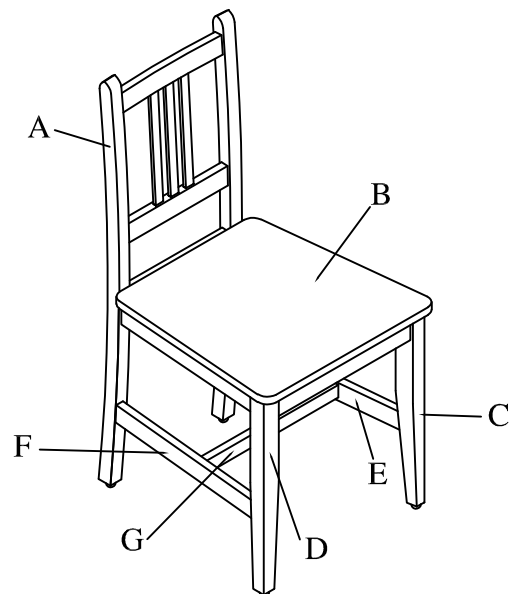


JO JO CHAIR






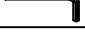



NO.	SKU	STYLE NO.	FINISH	ITEM DESCRIPTION
A.	38591118	9697E	ESPRESSO	9697E ESPRESSO CHAIR
B.	38691110	9697W	WHITE	9697W WHITE CHAIR
C.	38791112	9697G	GRAY	9697G GRAY CHAIR
D.	39991117	9697C	CHARCOAL	9697G CHARCOAL CHAIR

PARTS LIST			
NO.	ITEM DESCRIPTION	IMAGE	QTY
A	Back Rest		1PC
B	Wood seat with aprons		1PC
C	Front Leg (Left)		1PC
D	Front Leg (Right)		1PC
E	Stretcher (Left)		1PC
F	Stretcher(Right)		1PC
G	Stretcher(Center)		1PC



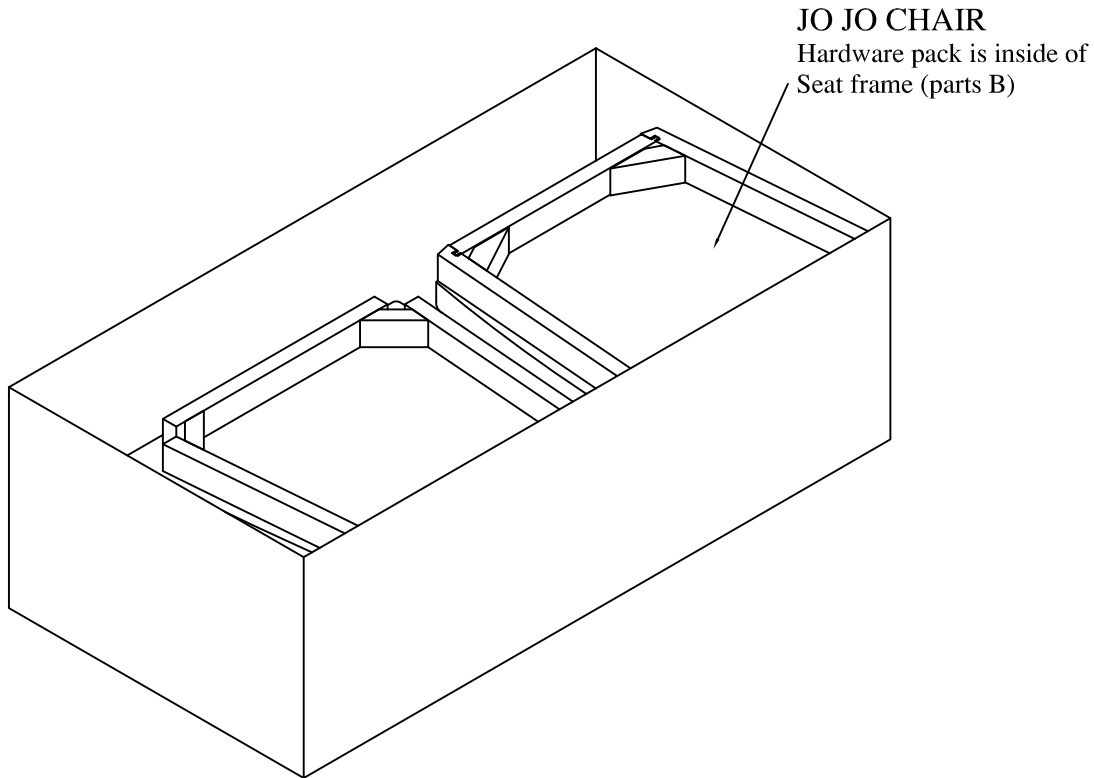
DO NOT USE SUBSTITUTE PARTS. PLEASE CONTACT YOUR RETAIL STORE OR WWW.ROOMSTOGO.COM WITH SERVICE OR PARTS REPLACEMENT REQUEST

CHAIR HARDWARE LIST			
NO.	ITEM DESCRIPTION	IMAGE	QTY
1	Allen Bolt Ø1/4"*20*75mm		4pcs
2	Allen Bolt Ø1/4"*20*50mm		4pcs
3	Allen Bolt Ø1/4"*20*38mm		1pc
4	Lock Washer Ø1/4"		9pcs
5	Flat Washer Ø1/4*19mm		9pcs
6	Allen Wrench 4mm		1pc
7	Wooden Screw Ø4 x 35mm		6pcs

** SCREWDRIVER(NOT PROVIDED) 

Hardware Pack Locations:

NO.	SKU	STYLE NO.	FINISH	ITEM DESCRIPTION
A.	38591118	9697E	ESPRESSO	9697E ESPRESSO CHAIR
B.	38691110	9697W	WHITE	9697W WHITE CHAIR
C.	38791112	9697G	GRAY	9697G GRAY CHAIR
D.	39991117	9697C	CHARCOAL	9697G CHARCOAL CHAIR

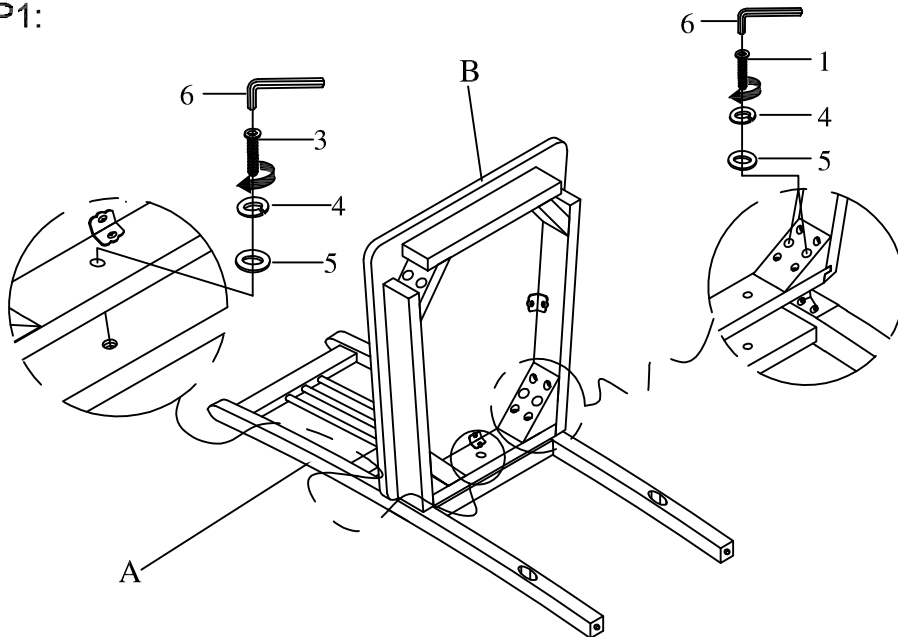


DO NOT USE SUBSTITUTE PARTS. PLEASE CONTACT YOUR RETAIL STORE OR WWW.ROOMSTOGO.COM WITH SERVICE OR PARTS REPLACEMENT REQUEST

Thank you for purchasing this quality product. Be sure to check all packing material carefully for small parts which may have come loose inside the carton during shipment. Identify and count all parts and compare with the parts list. Read all instructions before assembling furniture and keep these instructions for future reference.

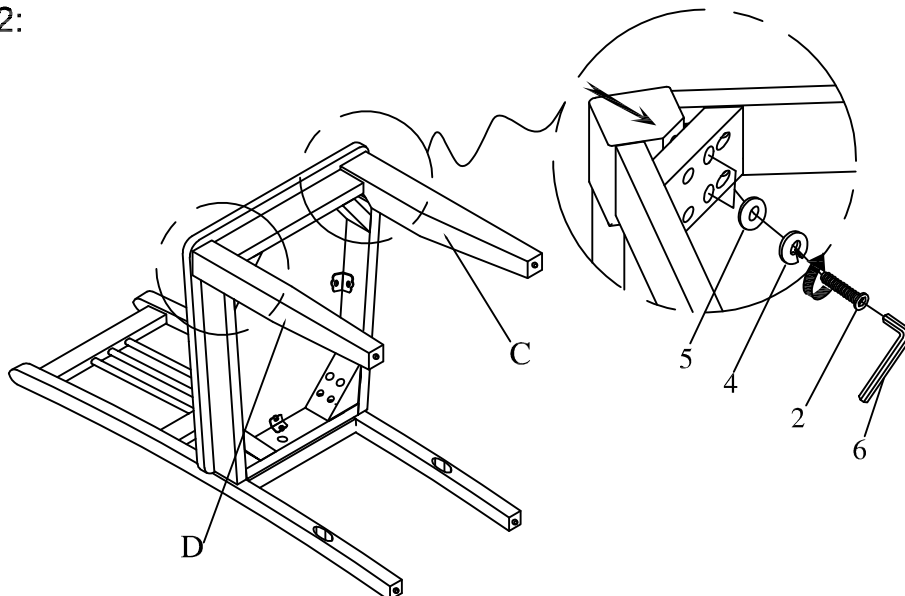
Assembly Instructions:

STEP1:



Attach wood seat with aprons (B) to back rest (A). Tighten by allen bolt (3), lock washer (4) and flat washer (5) with allen key (6). Then Tighten by allen bolt (1), lock washer (4) and flat washer (5) with allen key (6). Do not fully tighten all the bolts at this step.

STEP2:

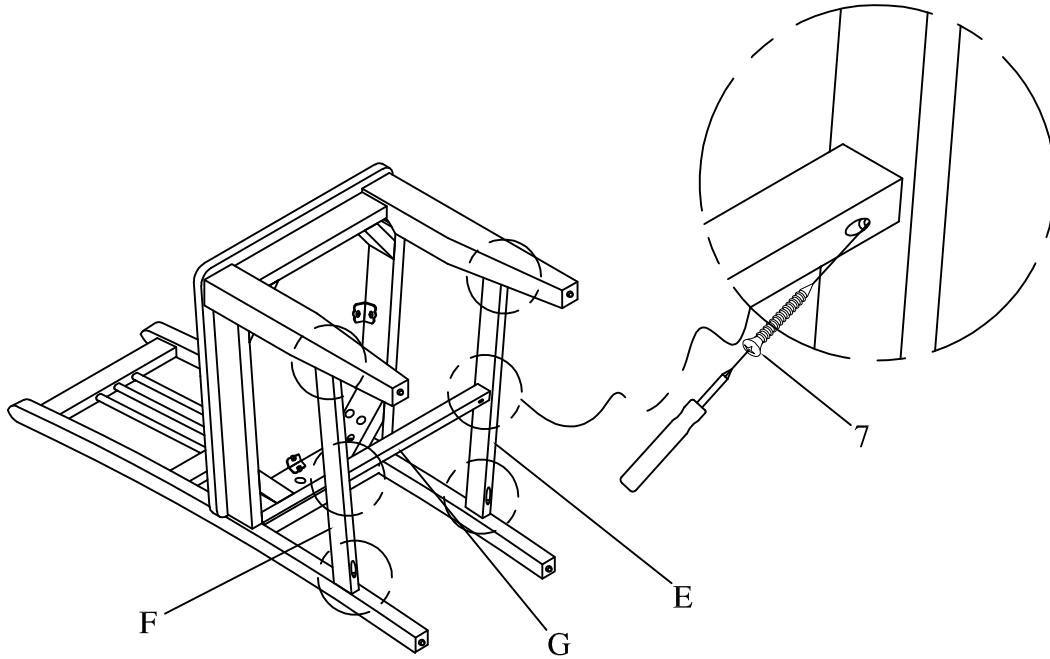


Attach front leg (C) and leg (D) to wood seat with aprons (B). Tighten by allen bolt (2), lock washer (4) and flat washer (5) with allen key (6). Do not fully tighten all the bolts at this step.

DO NOT USE SUBSTITUTE PARTS. PLEASE CONTACT YOUR RETAIL STORE OR WWW.ROOMSTOGO.COM WITH SERVICE OR PARTS REPLACEMENT REQUEST

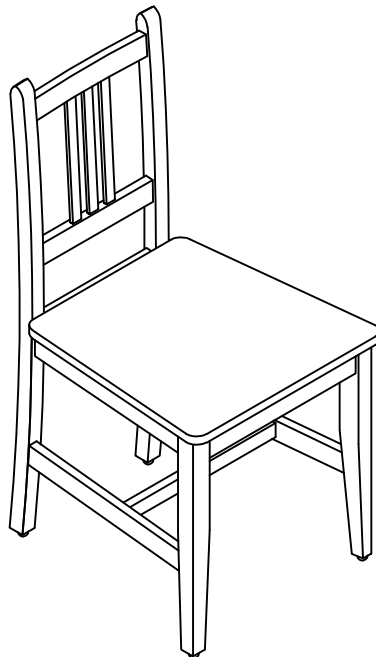
Assembly Instructions:

STEP3:



Attach stretcher (E) and (F) to back rest (A) and front leg (C) .Then attach stretcher (G) to stretcher (E) and (F). Tighten by wooden screw (7). Tighten all bolts and screws at this step.

STEP4.



DO NOT USE SUBSTITUTE PARTS. PLEASE CONTACT YOUR RETAIL STORE OR WWW.ROOMSTOGO.COM WITH SERVICE OR PARTS REPLACEMENT REQUEST