



MANHATTAN  
COMFORT

888-230-2225

*help@manhattancomfort.com*



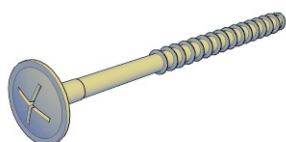
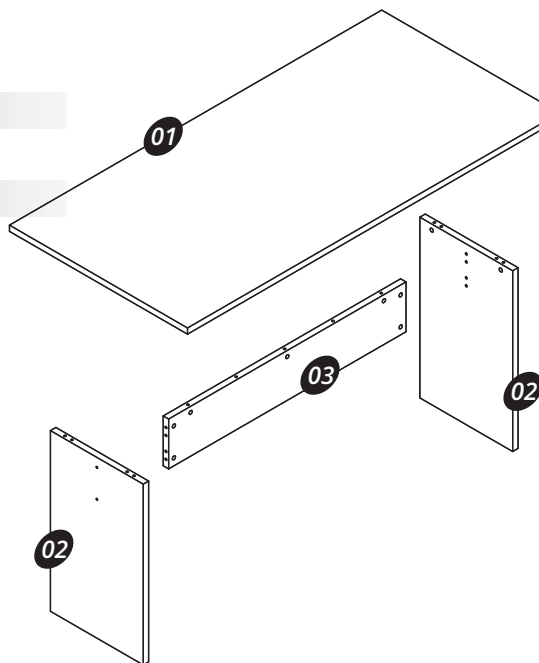
***Nomad***  
*dining table*

# Included in the package

01 - Top Panel = 01 piece

02 - Legs = 02 pieces

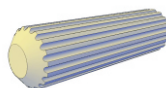
03 - Crossbar = 01 piece



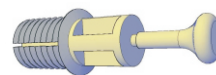
A = 04x



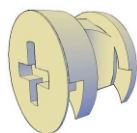
B = 04x



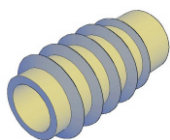
C = 10x



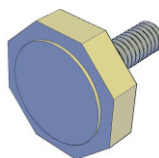
D = 07x



E = 07x



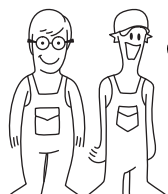
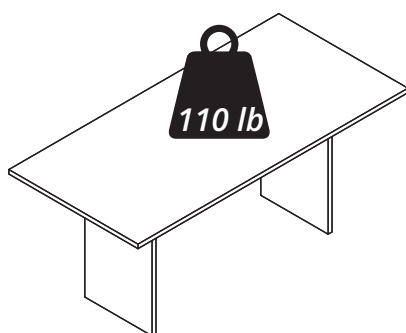
F = 04x



G = 04x



H = 11x



Tools needed  
(not included)

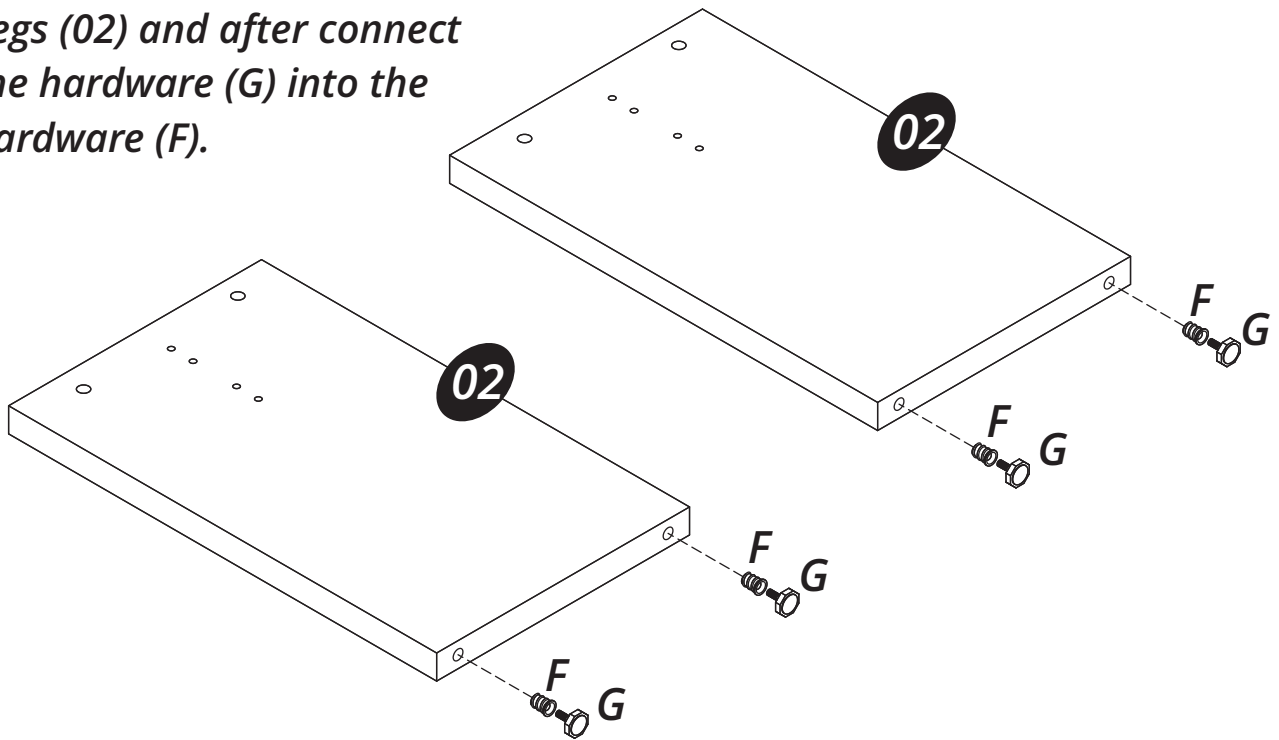


Phillips screw driver

Screw driver

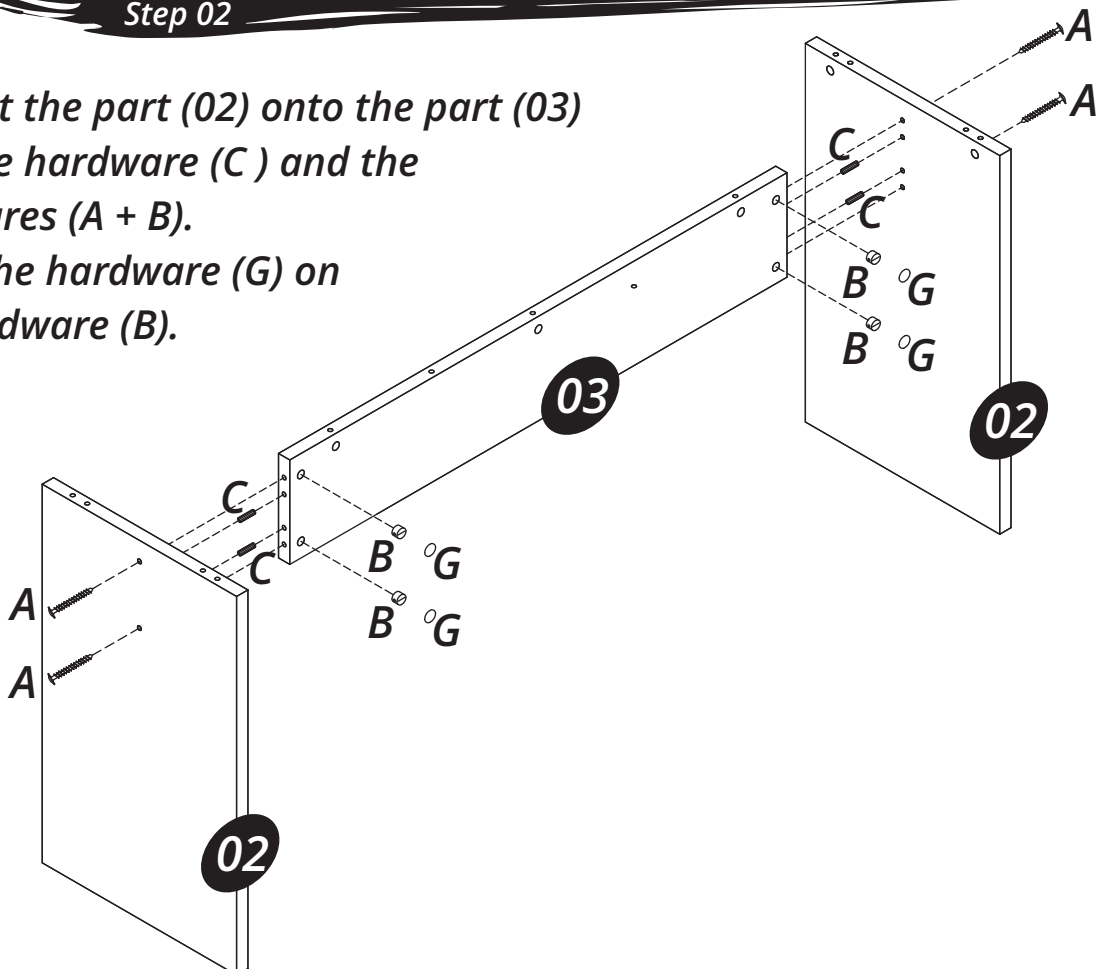
### Step 01

Fix the hardware (F) into the Legs (02) and after connect the hardware (G) into the hardware (F).



### Step 02

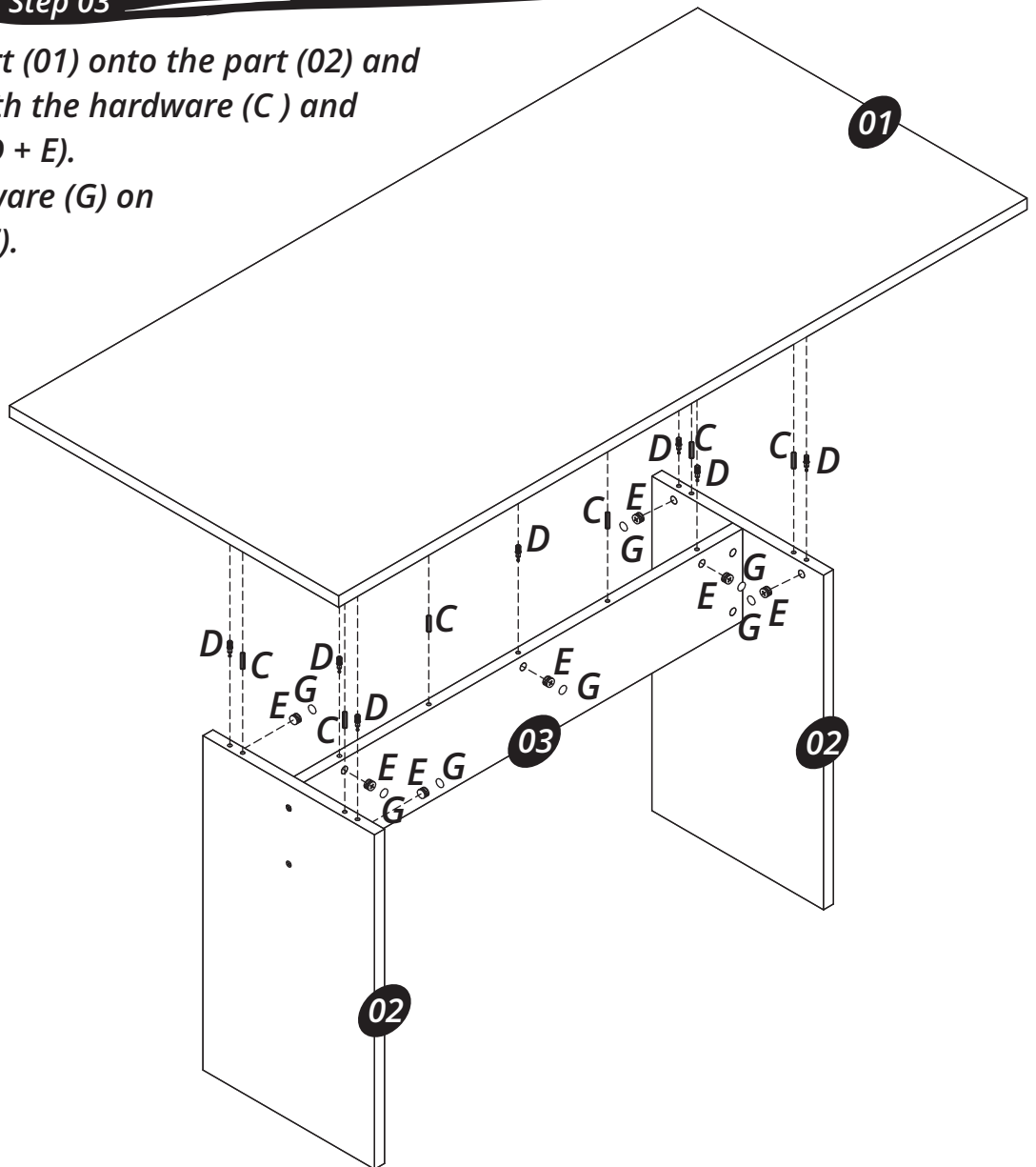
Connect the part (02) onto the part (03) with the hardware (C) and the hardwares (A + B).  
Apply the hardware (G) on the hardware (B).



### Step 03

Connect the part (01) onto the part (02) and the part (03) with the hardware (C) and the hardware (D + E).

Apply the hardware (G) on the hardware (E).



### Step 04

Adjust the height of the Table using the hardware (F).

