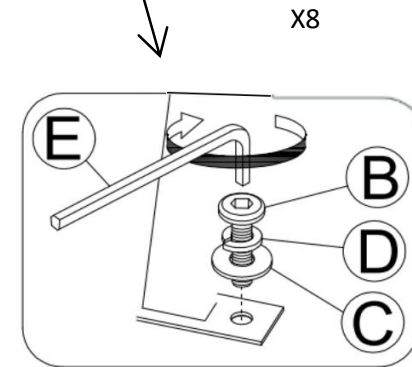
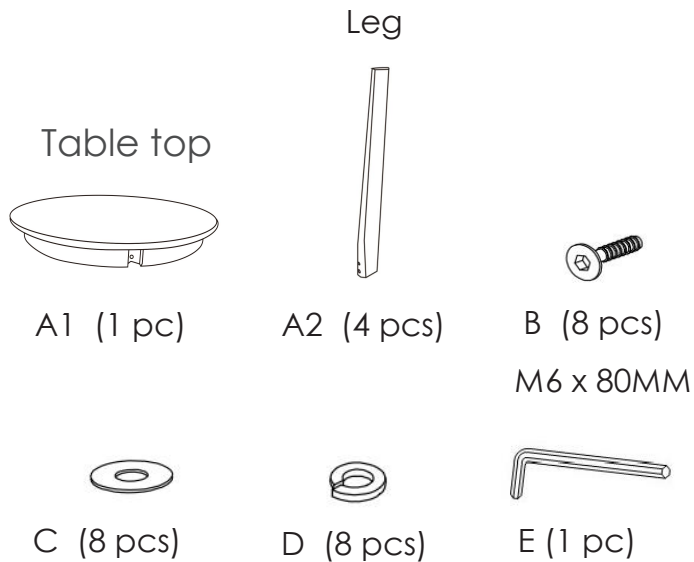
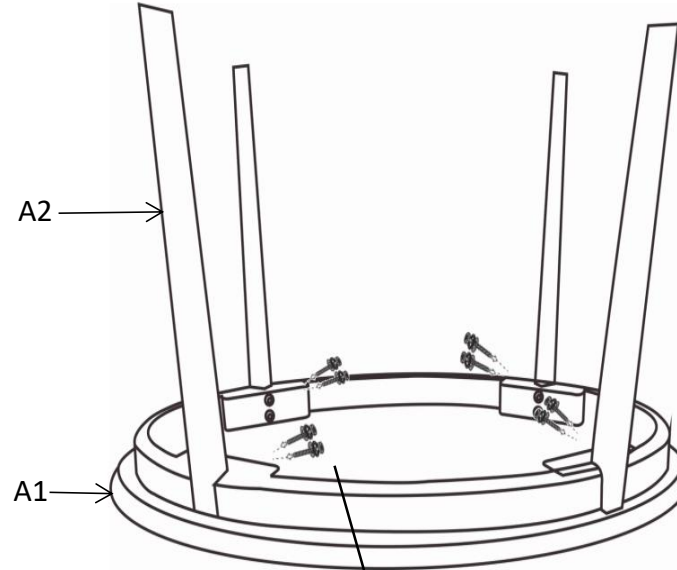


Assembly Instructions

ATLE-36 Round Dining Table

PLEASE NOTE: Check that you have received all components and hardware before assembling. If you are missing any parts, contact your retailer.

STEP 1



During assembly, hand tighten screws only. When all screws are in place, then tighten completely.